

# Inhoudsopgave

Achteras Aandrijving .....	227
Achteras Behuizing .....	180
Brandstof Tank & Bevestiging .....	72
Bumper & Motorkapsluiting .....	74
Cabine .....	473
Compressor .....	333
Dashbord .....	132
Differentieel Slot .....	231
Driepunt Achter .....	435
Driepunt Voor .....	431
Eindvertraging Wiel .....	229
Elektrisch .....	301
Frontgewichten & Beugel .....	461
Gaskabels .....	31
Hydrauliek .....	321
Hydrauliek Aansluitingen .....	371
Hydrauliek Hef .....	363
Hydrauliek Hef Topstang .....	419
Hydrauliek Koppeling .....	195
Hydrauliek Rem .....	267
Hydrauliek Stuur .....	331
Hydrauliek Ventielen .....	403
Joystick .....	341
Koppeling .....	186
Koppeling Pedaal & Toebehoren .....	189
Luchtfilter .....	63
Middenstuk .....	176
Motor .....	9
Motorkap .....	83
Oliekoeler .....	323
P.T.O. .....	235
P.T.O. Schakeling .....	247
Radiator & Slangen .....	35
Rem Pedalen .....	255
Remmen Achter .....	253
Remmen Voor .....	251
Schakelpoken & Gaffels .....	219
Schakelpook & Zitting Montage .....	148
Spatschermen Achter .....	106
Spatschermen Voor & Rolbeugel .....	95
Stickers .....	112
Tandwielen .....	203
Treplanken & Kappen .....	102
Trekhaak .....	455

Vooras Aandrijving .....	182
Vooras Behuizing .....	172
Wielen & Banden .....	465
Zittingen .....	156
Parts Index .....	501

<b>Code</b>	<b>Description</b>	<b>Notes</b>
A.01.02.L60008_0	MOTORE	Hp 85
A.01.02.L60008_1	MOTORE	Hp 85
A.01.02.L60008_2	MOTORE	Hp 85
A.01.02.L60008_3	ENGINE	
A.01.05.L60008_0	MOTORE (SELF CLEANING SYSTEM)	Hp 85
A.01.05.L60008_1	MOTORE (SELF CLEANING SYSTEM)	Hp 85
A.02.01.L60007_0	ENGINE CONTROLS	Hp 75
A.02.01.L60008_1	COMANDI MOTORE	
A.03.03.L60008_0	RADIATORE	Hp 85
A.03.03.L60008_1	RADIATORE	Hp 85
A.03.03.L60008_2	RADIATORE	Hp 85
A.03.03.L60008_3	RADIATORE	Hp 85
A.03.03.L60008_4	RADIATORE	Hp 85
A.03.05.L60008_0	RADIATORE	
A.03.05.L60008_1	RADIATORE	
A.03.05.L60008_2	RADIATORE	Hp 85
A.03.05.L60008_3	RADIATORE	Hp 85
A.03.05.L60008_4	RADIATORE	Hp 85
A.04.02.L60008_0	FILTRO ARIA	Hp 85
A.04.02.L60008_1	FILTRO ARIA	Hp 85
A.04.02.L60008_2	AIR FILTER	
A.04.05.L60008_0	FILTRO ARIA CON PRESA ARIA ESTERNA	Hp 85
A.04.05.L60008_1	FILTRO ARIA CON PRESA ARIA ESTERNA	Hp 85
A.05.01.L60007_0	SERBATOIO COMBUSTIBILE	Hp 75
B.01.01.L60007_0	FRONT SUPPORT	Hp 75
B.01.01.L60007_1	FRONT SUPPORT	Hp 75
B.01.02.L60002_2	FRONT SUPPORT	
B.02.01.L60007_0	BONNET (VEGA)	Hp 75
B.02.01.L60008_1	COFANO	
B.02.01.L60008_2	BONNET (VEGA)	
B.03.01.L60007_0	PARAFANGHI ANTERIORI (VEGA)	Hp 75
B.03.01.L60008_0	FRONT MODGUARDS	
B.03.02.L60007_0	PARAFANGHI ANTERIORI (VEGA)	Hp 75
B.03.51.L60007_0	PARAFANGHI ANTERIORI (VERSIONE CON CABINA) (VEGA)	Hp 75

<b>Code</b>	<b>Description</b>	<b>Notes</b>
B.04.01.L60007_0	PEDANE (VEGA)	Hp 75
B.04.02.L60007_0	PEDANE (VEGA)	Hp 75
B.05.01.L60007_0	PARAFANGHI POSTERIORI (VEGA)	Hp 75
B.05.02.L60007_0	PARAFANGHI POSTERIORI (VEGA)	Hp 75
B.05.51.L60007_0	PARAFANGHI POSTERIORI (VERSIONE CON CABINA) (VEGA)	Hp 75
B.06.01.L60007_0	TARGHE E ADESIVI (VEGA)	Hp 75
B.06.01.L60007_1	TARGHE E ADESIVI	Hp 75
B.06.02.L60007_0	TARGHE E ADESIVI (VEGA)	Hp 75
B.06.02.L60008_1	TARGHE E ADESIVI	
B.06.02.L60008_2	PLATES AND STICKERS	
B.06.05.L60007_0	PLATES AND STICKERS	Hp 75
B.06.05.L60008_1	PLATES AND STICKERS	
B.06.51.L60007_0	TARGHE E ADESIVI (VEGA) (RS CABINA)	Hp 75
B.07.01.L60007_0	DASHBOARD	Hp 75
B.07.01.L60007_1	DASHBOARD	Hp 75
B.07.01.L60007_2	DASHBOARD	Hp 75
B.07.01.L60007_3	DASHBOARD	Hp 75
B.08.01.L60007_0	SEAT SUPPORT / GEAR LEVERS COVER	Hp 75
B.08.02.L60007_0	SEAT SUPPORT / GEAR LEVERS COVER	Hp 75
B.09.01.L60007_0	SEAT (STANDARD) (SC79 M91)	Hp 75
B.09.02.L60007_0	SEAT (STANDARD) (SC79 M97)	Hp 75
B.09.03.L60007_0	SEAT (KAB) (SC79 M91)	Hp 75
B.09.04.L60007_0	SEAT (KAB) (SC79 M97)	Hp 75
B.09.05.L60007_0	SEAT (KAB P2)	Hp 75
B.09.06.L60007_0	SEAT (STANDARD) (GT60 M91)	Hp 75
B.09.07.L60007_0	SEDILE SEMICABINA/MOLL. MECCANICO (SC79 M91)	Hp 75
B.09.08.L60007_0	SEDILE SEMICABINA/MOLL. PNEUMATICO (SC79 M97)	Hp 75
C.01.01.L60007_0	FRONT AXLE	Hp 75
C.02.01.L60007_0	CENTRAL SECTION	Hp 75
C.02.01.L60007_1	CENTRAL SECTION	Hp 75
C.02.01.L60007_2	CENTRAL SECTION	Hp 75
C.02.01.L60008_0	CENTRAL SECTION	
C.03.01.L60007_0	REAR AXLE	Hp 75
D.01.01.L60007_0	FRONT TRANSMISSION	Hp 75

<b>Code</b>	<b>Description</b>	<b>Notes</b>
D.02.01.L60007_0	CLUTCH FRONT SHAFT / TRANSMISSION CLUTCH	Hp 75
D.02.01.L60008_0	CLUTCH FRONT SHAFT / TRANSMISSION CLUTCH	
D.03.01.L60007_0	CLUTCH CONTROLS	Hp 75
D.03.01.L60008_2	CLUTCH CONTROLS	
D.03.02.L60007_0	FRIZIONE FRENO	Hp 75
D.03.02.L60007_1	FRIZIONE FRENO	Hp 75
D.04.01.L60007_0	INPUT SHAFT / RANGES MAIN SHAFT / GEARS	Hp 75
D.04.01.L60007_1	INPUT SHAFT / RANGES MAIN SHAFT / GEARS	Hp 75
D.05.01.L60007_0	GEARS MAIN SHAFT / GEARS	Hp 75
D.05.01.L60007_1	GEARS MAIN SHAFT / GEARS	Hp 75
D.06.01.L60007_0	GEARS TRANSMISSION SHAFT / GEARS	Hp 75
D.06.01.L60007_1	GEARS TRANSMISSION SHAFT / GEARS	Hp 75
D.07.01.L60007_0	GEARBOX CONTROLS	Hp 75
D.07.01.L60007_1	GEARBOX CONTROLS	Hp 75
D.09.01.L60007_0	TRASMISSIONE POSTERIORE	Hp 75
D.10.01.L60007_0	RIDUTTORE EPICICLOIDALE	Hp 75
D.11.01.L60007_0	BLOCCAGGIO DIFFERENZIALE	Hp 75
D.11.01.L60007_1	BLOCCAGGIO DIFFERENZIALE	Hp 75
D.12.01.L60007_0	PRESA DI FORZA	Hp 75
D.12.01.L60007_1	PRESA DI FORZA	Hp 75
D.12.02.L60007_0	COMANDI PRESA DI FORZA	Hp 75
D.13.01.L60007_0	FRENO ANTERIORE	Hp 75
D.13.03.L60007_0	FRENO POSTERIORE	Hp 75
D.14.01.L60007_0	COMANDI FRENI	Hp 75
D.14.01.L60007_1	COMANDI FRENI	Hp 75
D.14.01.L60007_2	COMANDI FRENI	Hp 75
D.15.01.L60007_0	FRENO DI STAZIONAMENTO	Hp 75
D.15.01.L60007_1	FRENO DI STAZIONAMENTO	Hp 75
D.15.02.L60007_0	FRENO DI STAZIONAMENTO	Hp 75
D.15.02.L60007_1	FRENO DI STAZIONAMENTO	Hp 75
D.16.01.L60002_0	FRONT DRIVE	
D.16.01.L60007_0		Hp 75
D.16.01.L60007_1		Hp 75
D.16.01.L60007_2		Hp 75

Code	Description	Notes
D.16.01.L60007_3		Hp 75
E.01.01.L60007_0	IMPIANTO ELETTRICO MOTORE	Hp 75
E.01.01.L60008_1	IMPIANTO ELETTRICO ANTERIORE	
E.01.01.L60008_2	IMPIANTO ELETTRICO ANTERIORE	
E.02.01.L60007_0	IMPIANTO ELETTRICO VASCA	Hp 75
E.02.01.L60007_1	IMPIANTO ELETTRICO VASCA	Hp 75
E.03.01.L60007_0	IMPIANTO ELETTRICO ANTERIORE	Hp 75
E.04.01.L60007_0	IMPIANTO ELETTRICO POSTERIORE	Hp 75
E.05.01.L60008_0	IMPIANTO ELETTRICO MOTORE (SELF CLEANING SYSTEM)	
E.05.01.L60008_1	IMPIANTO ELETTRICO MOTORE (SELF CLEANING SYSTEM)	
E.05.01.L60008_2	IMPIANTO ELETTRICO MOTORE (SELF CLEANING SYSTEM)	
F.01.01.L60007_0	IMPIANTO IDRAULICO DOPPIA ASPIRAZIONE OLIO	Hp 75
F.02.01.L60007_0	IMPIANTO IDRAULICO : SCAMBIATORE DI CALORE	Hp 75
F.02.01.L60008_1	IMPIANTO IDRAULICO : SCAMBIATORE DI CALORE	Hp 85
F.02.02.L60007_0	IMPIANTO IDRAULICO : SCAMBIATORE DI CALORE	Hp 75
F.02.02.L60007_1	IMPIANTO IDRAULICO : SCAMBIATORE DI CALORE	Hp 85
F.03.01.L60007_0	IMPIANTO IDRAULICO STERZO	Hp 75
G.01.02.L60008_0	COMPRESSORE ARIA CONDIZIONATA	
G.01.02.L60008_1	COMPRESSORE ARIA CONDIZIONATA	
G.01.02.L60008_2	COMPRESSORE ARIA CONDIZIONATA	
G.02.01.L60007_0	COMPRESSORE ARIA CONDIZIONATA	
J.01.01.L60007_0	JOYSTICK	Hp 75
J.01.01.L60007_1	JOYSTICK	Hp 75
J.01.01.L60007_2	JOYSTICK	Hp 75
J.01.01.L60007_3	JOYSTICK	Hp 75
J.01.02.L60007_0	JOYSTICK	Hp 75
J.01.02.L60007_1	JOYSTICK	Hp 75
J.02.01.L60007_0	JOYSTICK	Hp 75
J.03.01.L60007_0	JOYSTICK	Hp 75
J.04.01.L60007_0	JOYSTICK	Hp 75
J.05.01.L60007_0	JOYSTICK	Hp 75
L.01.01.L60002_0	RAISE/LOWER LIFT	
L.01.01.L60007_0	SOLLEVATORE IDRAULICO ALZA ABBASSA	Hp 75
L.01.03.L60007_0	SOLLEVATORE IDRAULICO VAR D.F.S. MT	Hp 75

<b>Code</b>	<b>Description</b>	<b>Notes</b>
L.02.01.L60007_0	ALLESTIMENTO DISTRIBUTORI	Hp 75
L.02.02.L60007_0	ALLESTIMENTO DISTRIBUTORI	Hp 75
L.02.03.L60007_0	ALLESTIMENTO DISTRIBUTORI	Hp 75
L.02.07.L60007_0	ALLESTIMENTO CON SOSPENSIONE IDRAULICA	Hp 75
L.02.08.L60007_0	ALLESTIMENTO DISTRIBUTORI	Hp 75
L.02.09.L60007_0	ALLESTIMENTO CON SOSPENSIONE IDRAULICA	Hp 75
L.02.10.L60007_0	ALLESTIMENTO CON SOSPENSIONE IDRAULICA	Hp 75
L.02.11.L60007_0	ALLESTIMENTO DISTRIBUTORI	Hp 75
L.03.01.L60007_0	LEVE DISTRIBUTORI	Hp 75
L.03.02.L60007_0	LEVE DISTRIBUTORI	Hp 75
L.03.03.L60007_0	LEVE DISTRIBUTORI	Hp 75
L.03.04.L60007_0	LEVE DISTRIBUTORI	Hp 75
L.03.05.L60007_0	LEVE DISTRIBUTORI	Hp 75
M.01.01.L60007_0	SOLLEVATORE IDRAULICO SFORZO CONTROLLATO	Hp 75
M.02.01.L60007_0	ALLESTIMENTO DISTRIBUTORI POSIZIONE E SFORZO CONTROLLATI	Hp 75
M.02.03.L60007_0	ALLESTIMENTO DISTRIBUTORI POSIZIONE E SFORZO CONTROLLATI	Hp 75
M.02.04.L60007_0	ALLESTIMENTO DISTRIBUTORI POSIZIONE E SFORZO CONTROLLATI	Hp 75
S.01.01.L60007_0	SOLLEVATORE ANTERIORE	Hp 75
T.01.01.L60007_0	ATTACCO ATTREZZI BASE	Hp 75
T.01.02.L60007_0	ATTACCO ATTREZZI CON AGGANCI RAPIDI	Hp 75
T.01.05.L60007_0	ATTACCO ATTREZZI - BRACCI REGISTRABILI CON AGGANCI RAPIDI	Hp 75
T.01.06.L60007_0	ATTACCO ATTREZZI BASE - VAR 3° PUNTO E TIRANTE IDRAULICO	Hp 75
T.01.08.L60007_0	ATTACCO ATTREZZI CON AGGANCI RAPIDI - VAR 3° PUNTO E TIRANTE IDRAULICO	Hp 75
T.01.09.L60007_0	ATTACCO ATTREZZI CON AGGANCI RAPIDI REGISTRABILI - VAR 3° PUNTO E TIRANTE IDRAULICO	Hp 75
T.02.01.L60007_0	GANCIO DI TRAINO - VERSIONE BASE	Hp 75
T.02.02.L60007_0	GANCIO DI TRAINO OMOLOGATO "CEE"	Hp 75
T.02.03.L60007_0	TELAIO "SLIDER" CON GANCIO DI TRAINO OMOLOGATO "CEE"	Hp 75
T.04.01.L60007_0	ZAVORRE ANTERIORI	Hp 75
U.01.02.L60008_0	ZAVORRE ANTERIORI	
W.01.01.L60007_0	RUOTE E PNEUMATICI	Hp 75
W.01.02.L60007_0	RUOTE E PNEUMATICI	Hp 75
W.01.05.L60007_0	ZAVORRA	Hp 75
Y.01.01.L60007_0	CABINA BF4 (telaio) (VEGA)	Hp 75
Y.01.02.L60007_0	CABINA BF4 (vetro anteriore)	Hp 75

<b>Code</b>	<b>Description</b>	<b>Notes</b>
Y.01.03.L60007_0	CABINA BF4 (vetro posteriore)	Hp 75
Y.01.04.L60007_0	CABINA BF4 (vetri porte) (VEGA)	Hp 75
Y.01.05.L60007_0	CABINA BF4 (sottotetto)	Hp 75
Y.01.06.L60007_0	CABINABF4 (guscio tetto)	Hp 75





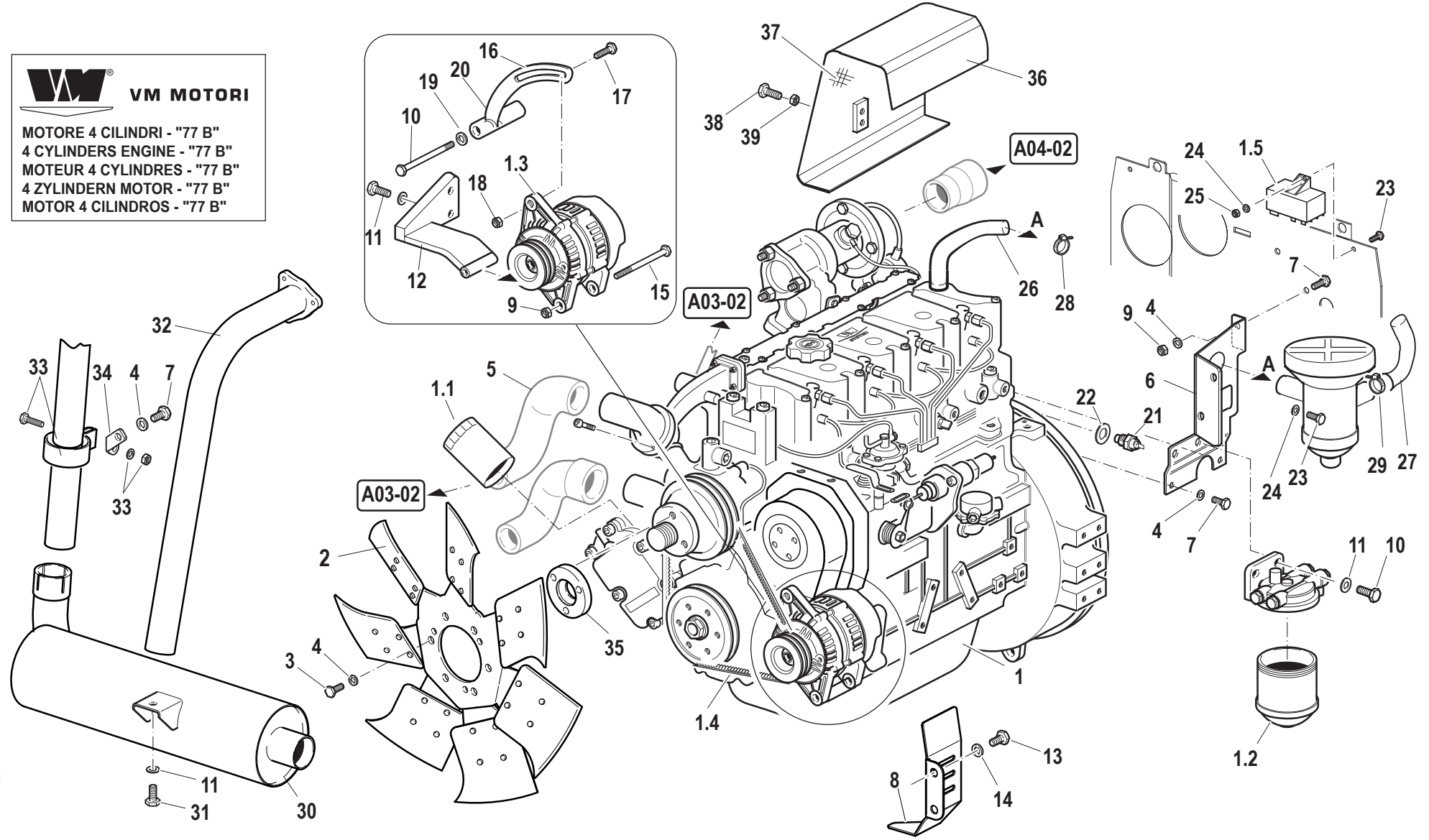
# MOTORE

CODE REV

SERIAL END 912460

A.01.02.L60008\_0

**VM MOTORI**  
MOTORE 4 CILINDRI - "77 B"  
4 CYLINDERS ENGINE - "77 B"  
MOTEUR 4 CYLINDRES - "77 B"  
4 ZYLINDERN MOTOR - "77 B"  
MOTOR 4 CILINDROS - "77 B"



A.01.02.L60008\_0

Pos.	Code	Q.ty	Description	Notes
1	41U60000	1	MOT.VM D704TE2.21A 60KW 77B/4	
2	58178646	1	FAN	
3	F0862694000	3	SCREW M8X170 UNI 5737	
4	F0843643060	7	WASHER 8	
5	F0862479035	1	SCREW	
6	59079167	1	RETAINER	
7	31111151	4	SCREW TE M8X16 UNI 5739 8G	
8	56177979	1	SHIELD	
9	31211080	2	NUT M8	
10	31112219	5	SCREW TE M10X25 UNI 5739	
11	F0843755000	6	WASHER 10	
12	59077318	1	SUPPORT	
13	31112082	2	SCREW TE M6X12 UNI 5739 8G	
14	31411064	2	WASHER 6,4x12,5	
15	31112174	1	SCREW TE M8X110 UNI 5737 8.8	
16	59076688	1	ROD	
17	31112153	1	SCREW TE M8X35 UNI 5739 8G	
18	31421083	1	WASHER	
19	F0864335020	1	SCREW M14X120 UNI 5737	
20	31421251	1	WASHER	
21	58175773	1	ELECTRONICAL THERMOMETER	
22	F0844030070	1	COPPER WASHER 16,0x22/1,5	
23	31112090	2	SCREW TE M6X16 UNI 5739 8G	
24	F0843570000	2	WASHER 6	
25	31211060	2	HEXAGONAL NUT M8	
26	55176744	1	PIPE	
27	58177400	1	OIL PIPE	
28	F0817500400	3	CLAMP 024,1-706R	
29	F0817500200	1	CLAMP 015,7-706R	
30	58176618	1	EXHAUST SILENCER	
31	31112210	1	SCREW TE M10X20 UNI 5739	
32	59076619	1	EXHAUST	
33	58175121	1	COLLAR	
34	56177183	1	REINFORCED STRAP	

SERIAL  
END

**912460**

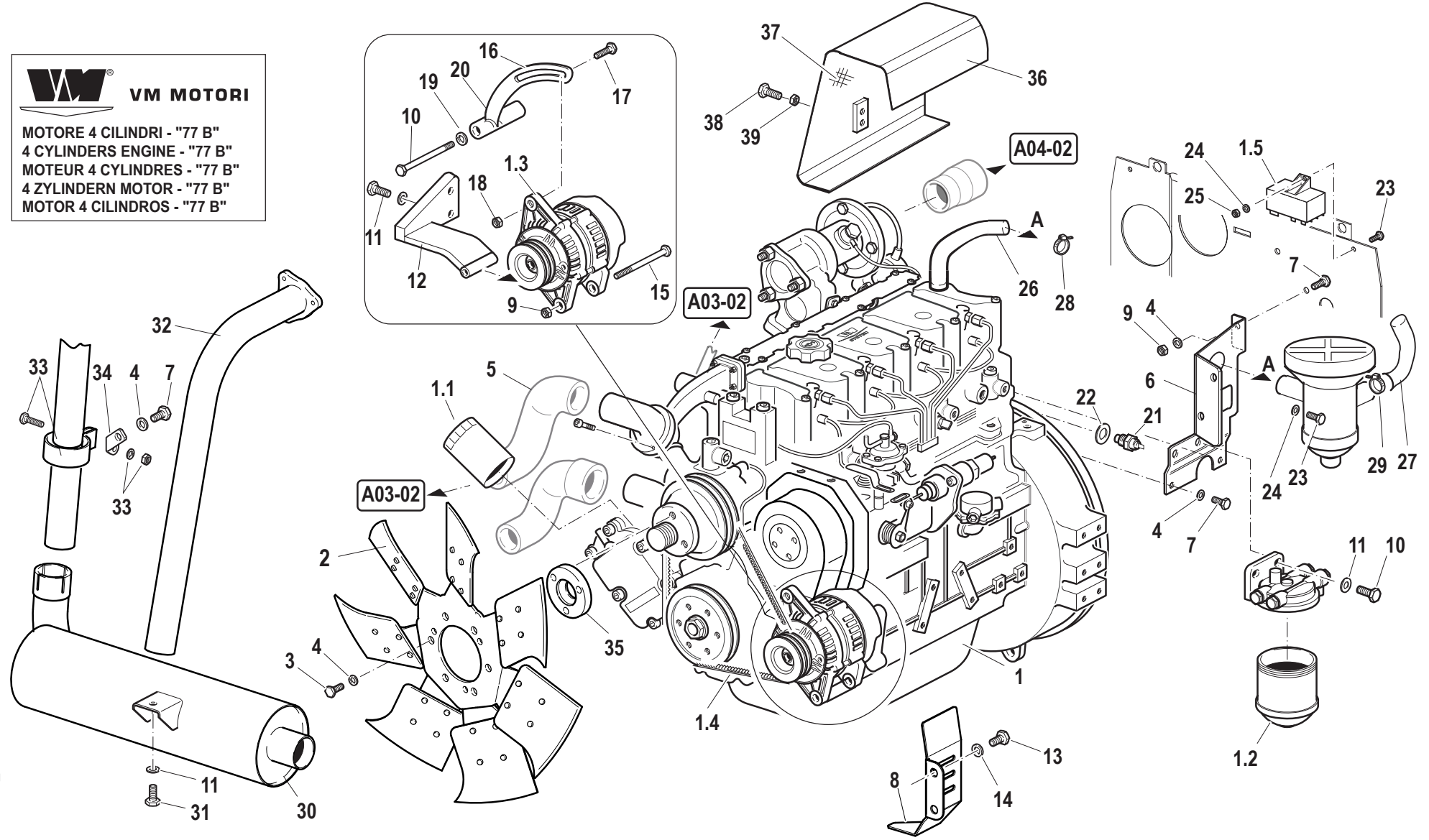
**MOTORE**

Hp 85

CODE REV

**A.01.02.L60008\_0**

 **VM MOTORI**  
MOTORE 4 CILINDRI - "77 B"  
4 CYLINDERS ENGINE - "77 B"  
MOTEUR 4 CYLINDRES - "77 B"  
4 ZYLINDER MOTOR - "77 B"  
MOTOR 4 CILINDROS - "77 B"



A.01.02.L60008\_0

Pos.	Code	Q.ty	Description	Notes
35	56178649	1	SPACER	
36	59077480	1	GUARD	
37	58077484	1	LINING	
38	F0838384000	2	STUD BOLT M10X25 UNI 5911 8.8	
39	31215100	2	NUT M10	
1.1	58171199	1	OIL FILTER CARTRIDGE	
1.2	58171200	1	FUEL FILTER CARTRIDGE	
1.3	59900344	1	ALTERNATOR	
1.4	59900766	1	BELT	
1.5	59900345	1	CENTRAL PROCESSING UNIT	

SERIAL  
END

**912460**

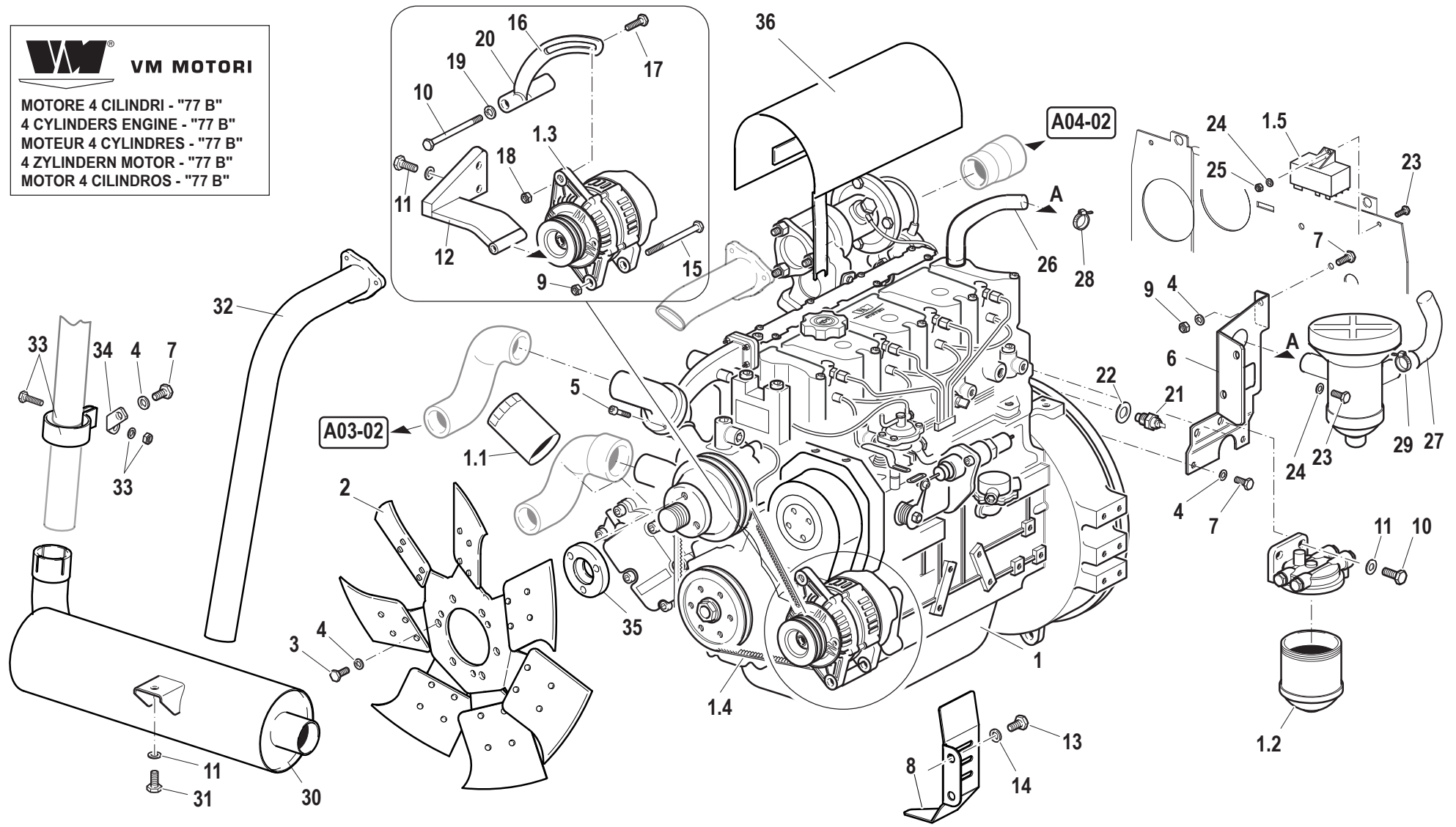
**MOTORE**

Hp 85

CODE REV

**A.01.02.L60008\_0**

 **VM MOTORI**  
MOTORE 4 CILINDRI - "77 B"  
4 CYLINDERS ENGINE - "77 B"  
MOTEUR 4 CYLINDRES - "77 B"  
4 ZYLINDERN MOTOR - "77 B"  
MOTOR 4 CILINDROS - "77 B"




Pos.	Code	Q.ty	Description	Notes
1	41U60000	1	MOT.VM D704TE2.21A 60KW 77B/4	
2	58178646	1	FAN	
3	F0862694000	3	SCREW M8X170 UNI 5737	
4	F0843643060	7	WASHER 8	
5	F0862479035	1	SCREW	
6	59079167	1	RETAINER	
7	31111151	4	SCREW TE M8X16 UNI 5739 8G	
8	56177979	1	SHIELD	
9	31211080	2	NUT M8	
10	31112219	5	SCREW TE M10X25 UNI 5739	
11	F0843755000	6	WASHER 10	
12	59077318	1	SUPPORT	
13	31112082	2	SCREW TE M6X12 UNI 5739 8G	
14	31411064	2	WASHER 6,4x12,5	
15	31112174	1	SCREW TE M8X110 UNI 5737 8.8	
16	59076688	1	ROD	
17	31112153	1	SCREW TE M8X35 UNI 5739 8G	
18	31421083	1	WASHER	
19	F0864335020	1	SCREW M14X120 UNI 5737	
20	31421251	1	WASHER	
21	58175773	1	ELECTRONICAL THERMOMETER	
22	F0844030070	1	COPPER WASHER 16,0x22/1,5	
23	31112090	2	SCREW TE M6X16 UNI 5739 8G	
24	F0843570000	2	WASHER 6	
25	31211060	2	HEXAGONAL NUT M8	
26	55176744	1	PIPE	
27	58177400	1	OIL PIPE	
28	F0817500400	3	CLAMP 024,1-706R	
29	F0817500200	1	CLAMP 015,7-706R	
30	58176618	1	EXHAUST SILENCER	
31	31112210	1	SCREW TE M10X20 UNI 5739	
32	59076619	1	EXHAUST	
33	58175121	1	COLLAR	
34	56177183	1	REINFORCED STRAP	

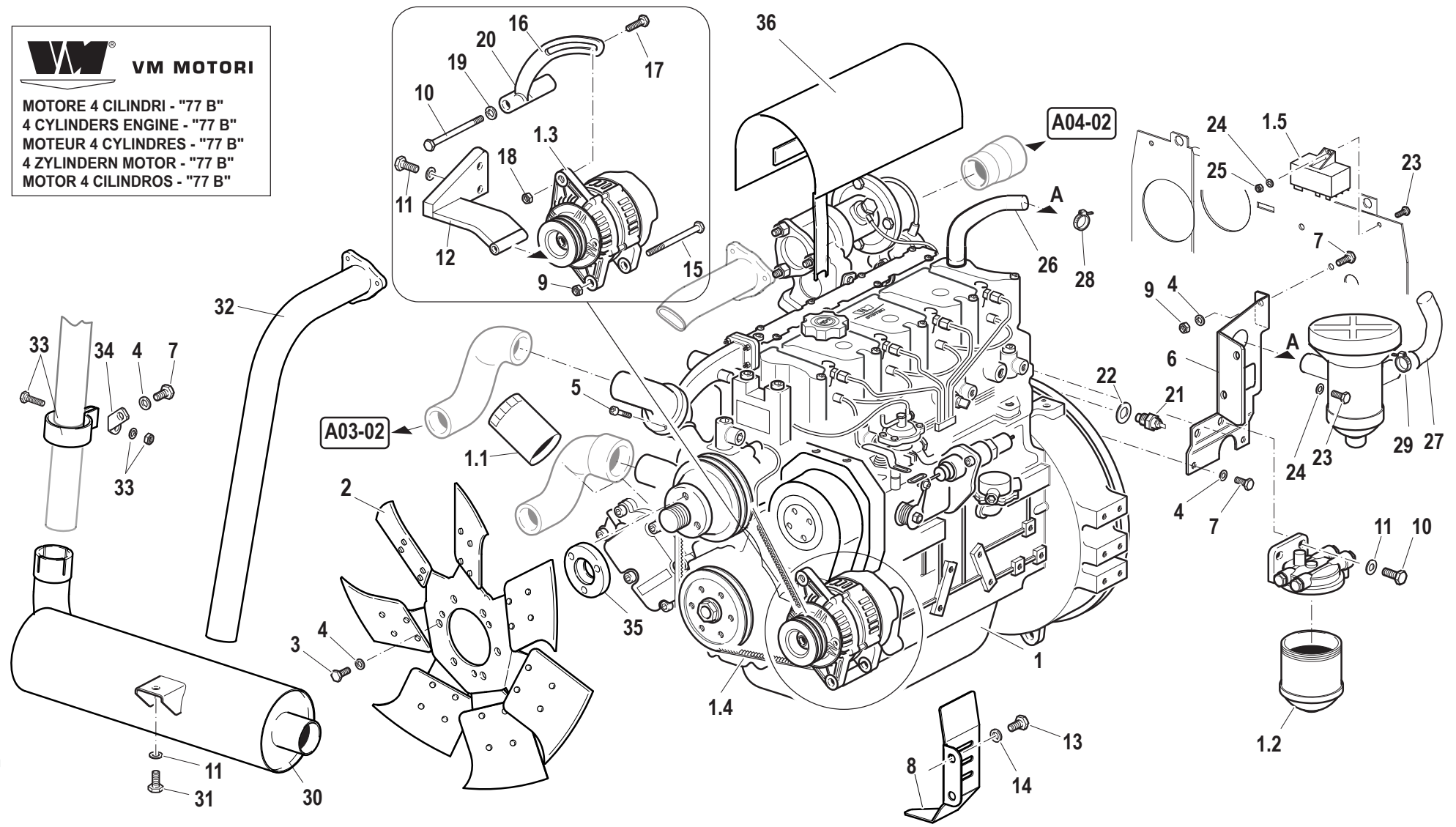
SERIAL  
START  
**912461**

END  
**916940**

**MOTORE**  
Hp 85

CODE REV  
**A.01.02.L60008\_1**

 **VM MOTORI**  
MOTORE 4 CILINDRI - "77 B"  
4 CYLINDERS ENGINE - "77 B"  
MOTEUR 4 CYLINDRES - "77 B"  
4 ZYLINDER MOTOR - "77 B"  
MOTOR 4 CILINDROS - "77 B"



A.01.02.L60008\_1

Pos.	Code	Q.ty	Description	Notes
35	56178649	1	SPACER	
36	59076682	1	GUARD	
1.1	58171199	1	OIL FILTER CARTRIDGE	
1.2	58171200	1	FUEL FILTER CARTRIDGE	
1.3	59900344	1	ALTERNATOR	
1.4	59900766	1	BELT	
1.5	59900345	1	CENTRAL PROCESSING UNIT	

SERIAL  
START  
**912461**

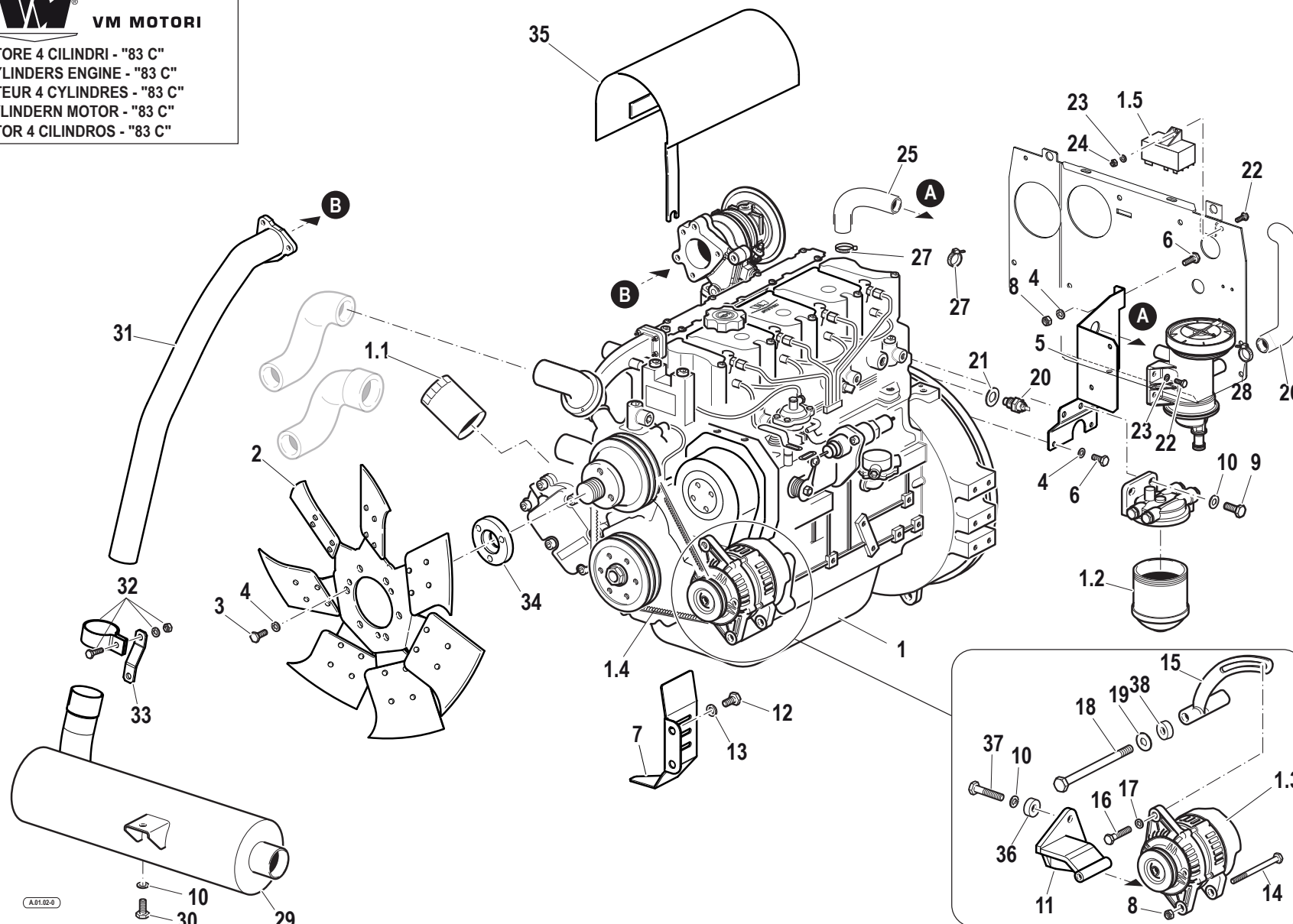
END  
**916940**

**MOTORE**  
Hp 85

CODE REV  
**A.01.02.L60008\_1**



**VM MOTORI**  
 MOTORE 4 CILINDRI - "83 C"  
 4 CYLINDERS ENGINE - "83 C"  
 MOTEUR 4 CYLINDRES - "83 C"  
 4 ZYLINDER MOTOR - "83 C"  
 MOTOR 4 CILINDROS - "83 C"



Pos.	Code	Q.ty	Description	Notes
1	41X10001	1	ENGINE	
2	58178646	1	FAN	
3	F0862694000	3	SCREW M8X170 UNI 5737	
4	F0843643060	6	WASHER 8	
5	59079167	1	RETAINER	
6	31111151	3	SCREW TE M8X16 UNI 5739 8G	
7	56177979	1	SHIELD	
8	31211080	2	NUT M8	
9	31112219	5	SCREW TE M10X25 UNI 5739	
10	F0843755000	2	WASHER 10	
11	59077318	1	SUPPORT	
12	31112082	2	SCREW TE M6X12 UNI 5739 8G	
13	31411064	2	WASHER 6,4x12,5	
14	31112174	1	SCREW TE M8X110 UNI 5737 8.8	
15	590A0866	1	ROD	
16	31112153	1	SCREW TE M8X35 UNI 5739 8G	
17	31421083	1	WASHER	
18	F0864335020	1	SCREW M14X120 UNI 5737	
19	31421251	1	WASHER	
20	58175773	1	ELECTRONICAL THERMOMETER	
21	F0844030070	1	COPPER WASHER 16,0x22/1,5	
22	31112090	2	SCREW TE M6X16 UNI 5739 8G	
23	F0843570000	4	WASHER 6	
24	31211060	2	HEXAGONAL NUT M8	
25	55176744	1	PIPE	
26	580A1455	1	VENT HOSE	
27	P123298000000	3	CLAMP 16-25 SX9CW1	
28	F0817505200	1	FAS.10-19 SE519W4(30021119)*mr	
29	58179623	1	EXHAUST SILENCER	
30	31112208	1	SCREW TE M10X16 UNI 5739	
31	59079635	1	EXHAUST	
32	58175121	1	COLLAR	
33	56177183	1	REINFORCED STRAP	
34	56178649	1	SPACER	

SERIAL

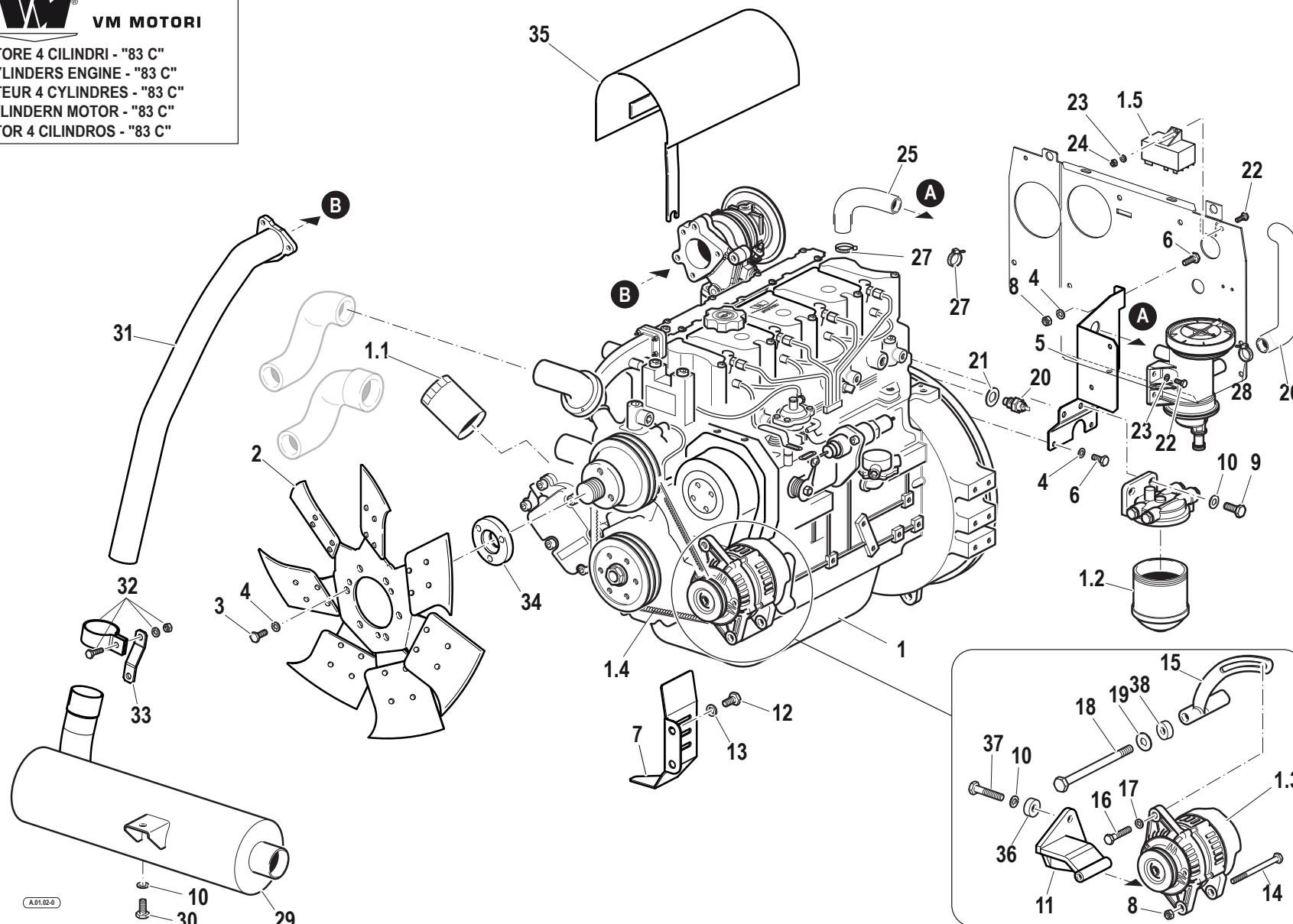
**MOTORE**

Hp 85

CODE REV

**A.01.02.L60008\_2**

**VM MOTORI**  
 MOTORE 4 CILINDRI - "83 C"  
 4 CYLINDERS ENGINE - "83 C"  
 MOTEUR 4 CYLINDRES - "83 C"  
 4 ZYLINDER MOTOR - "83 C"  
 MOTOR 4 CILINDROS - "83 C"



Pos.	Code	Q.ty	Description	Notes
35	59079624	1	GUARD	
36	56173110	3	SPACER	
37	31112212	3	SCREW TE M10X35 UNI 5739	
38	561A0867	1	SPACER	
1.1	58171199	1	OIL FILTER CARTRIDGE	
1.2	58171200	1	FUEL FILTER CARTRIDGE	
1.3	59901140	1	ALTERNATOR	
1.4	59900766	1	BELT	
1.5	59900345	1	CENTRAL PROCESSING UNIT	

SERIAL

**MOTORE**

Hp 85

CODE REV

**A.01.02.L60008\_2**

Pos.	Code	Q.ty	Description	Notes
6	31111151	3	SCREW TE M8X16 UNI 5739 8G	
12	31112082	2	SCREW TE M6X12 UNI 5739 8G	
22	31112090	2	SCREW TE M6X16 UNI 5739 8G	
16	31112153	1	SCREW TE M8X35 UNI 5739 8G	
14	31112174	1	SCREW TE M8X110 UNI 5737 8.8	
30	31112208	1	SCREW TE M10X16 UNI 5739	
37	31112212	3	SCREW TE M10X35 UNI 5739	
9	31112219	5	SCREW TE M10X25 UNI 5739	
24	31211060	2	HEXAGONAL NUT M8	
8	31211080	2	NUT M8	
13	31411064	2	WASHER 6,4x12,5	
17	31421083	1	WASHER	
19	31421251	1	WASHER	
40	33312383	3	RIVET A STR.3,8X12 ACC.INOX	
1	41X10001	1	ENGINE	
25	55176744	1	PIPE	
36	56173110	3	SPACER	
33	56177183	1	REINFORCED STRAP	
7	56177979	1	SHIELD	
34	56178649	1	SPACER	
38	561A0867	1	SPACER	
26	580A1455	1	VENT HOSE	
1,1	58171199	1	OIL FILTER CARTRIDGE	
1,2	58171200	1	FUEL FILTER CARTRIDGE	
32	58175121	1	COLLAR	
20	58175773	1	ELECTRONICAL THERMOMETER	
2	58178646	1	FAN	
29	58179623	1	EXHAUST SILENCER	
11	59077318	1	SUPPORT	
5	59079167	1	RETAINER	
35	59079624	1	GUARD	
31	59079635	1	EXHAUST	
15	590A0866	1	ROD	
1,5	59900345	1	CENTRAL PROCESSING UNIT	

SERIAL

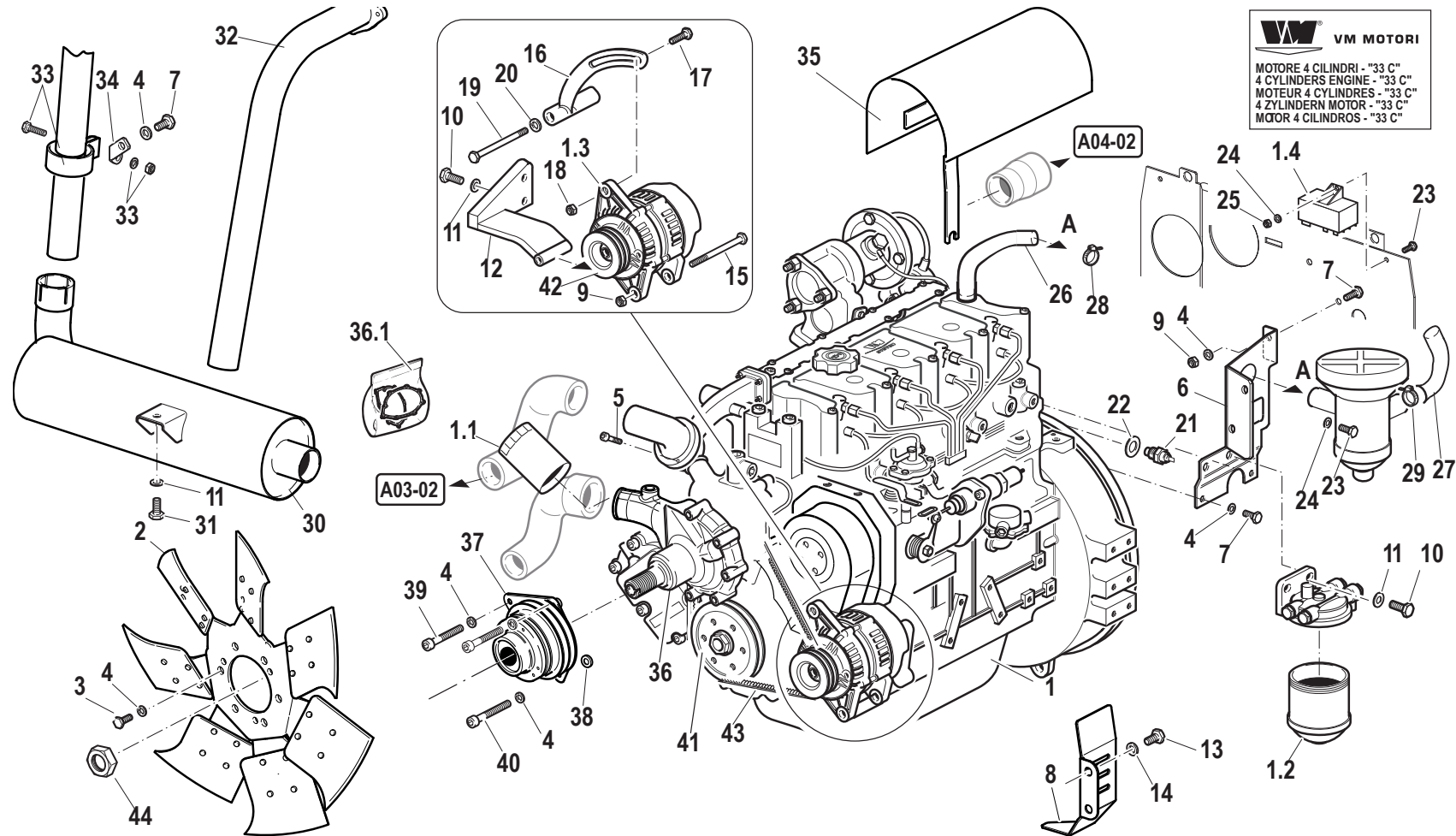
**ENGINE**

CODE REV

**A.01.02.L60008\_3**

Pos.	Code	Q.ty	Description	Notes
1,4	59900766	1	BELT	
1,3	59901140	1	ALTERNATOR	
39	561A2962Z	1	TERMINAL	
28	F0817505200	1	FAS.10-19 SE519W4(30021119)*mr	
23	F0843570000	4	WASHER 6	
4	F0843643060	6	WASHER 8	
10	F0843755000	2	WASHER 10	
21	F0844030070	1	COPPER WASHER 16,0x22/1,5	
3	F0862694000	3	SCREW M8X170 UNI 5737	
18	F0864335020	1	SCREW M14X120 UNI 5737	
27	P123298000000	3	CLAMP 16-25 SX9CW1	

# MOTORE (SELF CLEANING SYSTEM)



Pos.	Code	Q.ty	Description	Notes
1	41U60000	1	MOT.VM D704TE2.21A 60KW 77B/4	
2	58177891	1	FAN	
3	F0862495010	3	SCREW	
4	F0843643060	5	WASHER 8	
5	F0862479035	1	SCREW	
6	59079167	1	RETAINER	
7	31111151	4	SCREW TE M8X16 UNI 5739 8G	
8	56177979	1	SHIELD	
9	31211080	2	NUT M8	
10	31112219	5	SCREW TE M10X25 UNI 5739	
11	F0843755000	6	WASHER 10	
12	59077318	1	SUPPORT	
13	31112082	2	SCREW TE M6X12 UNI 5739 8G	
14	31411064	2	WASHER 6,4x12,5	
15	31112174	1	SCREW TE M8X110 UNI 5737 8.8	
16	59076688	1	ROD	
17	31112153	1	SCREW TE M8X35 UNI 5739 8G	
18	31421083	1	WASHER	
19	F0864335020	1	SCREW M14X120 UNI 5737	
20	31421251	1	WASHER	
21	58175773	1	ELECTRONICAL THERMOMETER	
22	F0844030070	1	COPPER WASHER 16,0x22/1,5	
23	31112090	2	SCREW TE M6X16 UNI 5739 8G	
24	F0843570000	2	WASHER 6	
25	31211060	2	HEXAGONAL NUT M8	
26	55176744	1	PIPE	
27	58177400	1	OIL PIPE	
28	F0817500400	3	CLAMP 024,1-706R	
29	F0817500200	1	CLAMP 015,7-706R	
30	58176618	1	EXHAUST SILENCER	
31	31112210	1	SCREW TE M10X20 UNI 5739	
32	59076619	1	EXHAUST	
33	58175121	1	COLLAR	
34	56177183	1	REINFORCED STRAP	

SERIAL  
END

916940

**MOTORE (SELF CLEANING SYSTEM)**

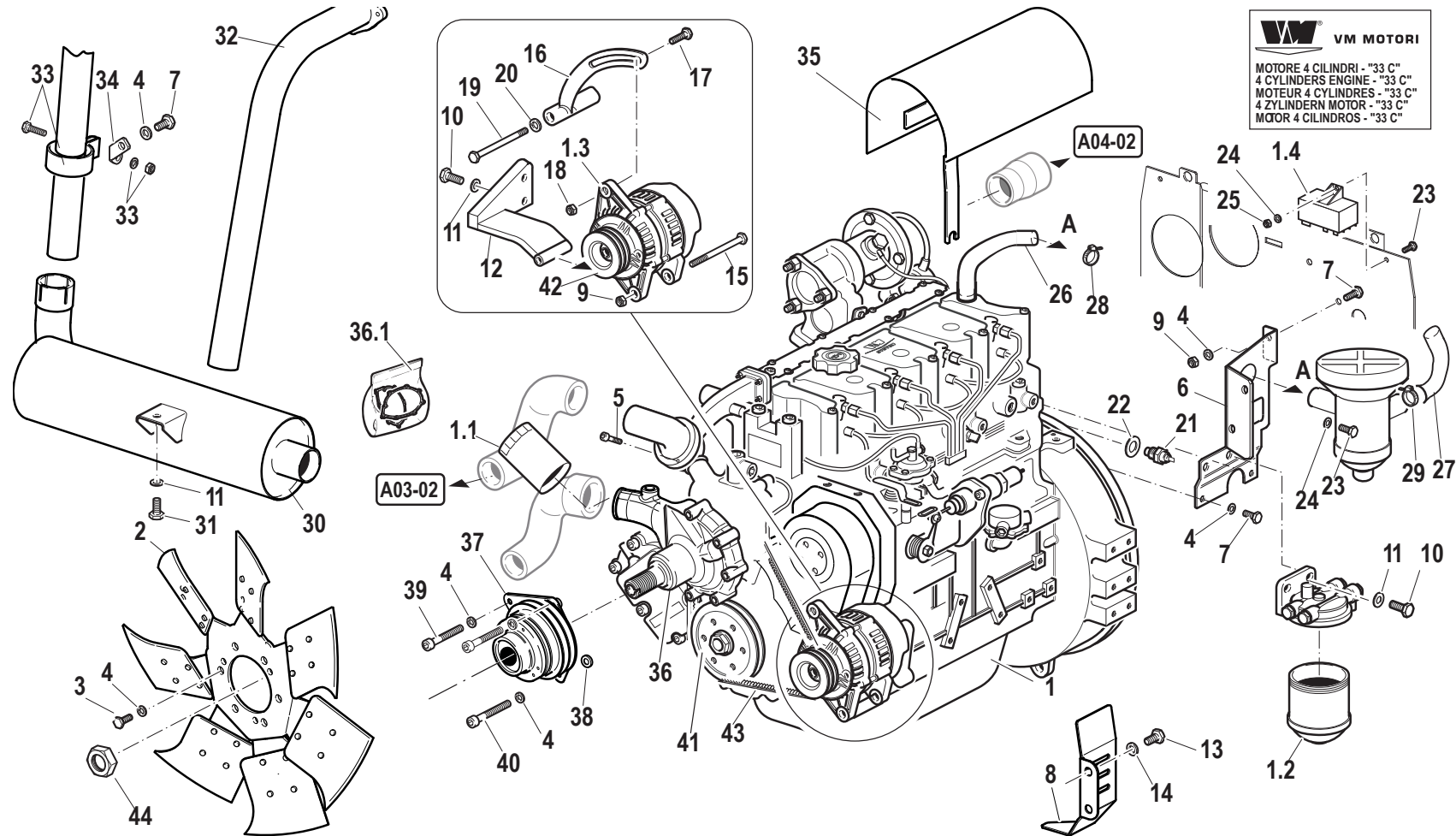
Hp 85

CODE REV

A.01.05.L60008\_0



# MOTORE (SELF CLEANING SYSTEM)



**VM MOTORI**  
MOTORE 4 CILINDRI - "33 C"  
4 CYLINDERS ENGINE - "33 C"  
MOTEUR 4 CYLINDRES - "33 C"  
4 ZYLINDER MOTOR - "33 C"  
MOTOR 4 CILINDROS - "33 C"

Pos.	Code	Q.ty	Description	Notes
35	59076682	1	GUARD	
36	58079130	1	PUMP	
37	58177811	1	CLUTCH	
38	56172079	1	SPACER	
39	31152088	2	SCREW TCEI M8X55 UNI 5931	
40	31112159	1	SCREW TE M8X65 UNI 5737 8G	
41	56377847	1	PULLEY	
42	56377846	1	PULLEY	
43	36220210	1	BELT	
44	59901264	1	RING NUT	
1.1	58171199	1	OIL FILTER CARTRIDGE	
1.2	58171200	1	FUEL FILTER CARTRIDGE	
1.3	59900344	1	ALTERNATOR	
1.4	59900345	1	CENTRAL PROCESSING UNIT	
36.1	59901265	1	GASKET SET	

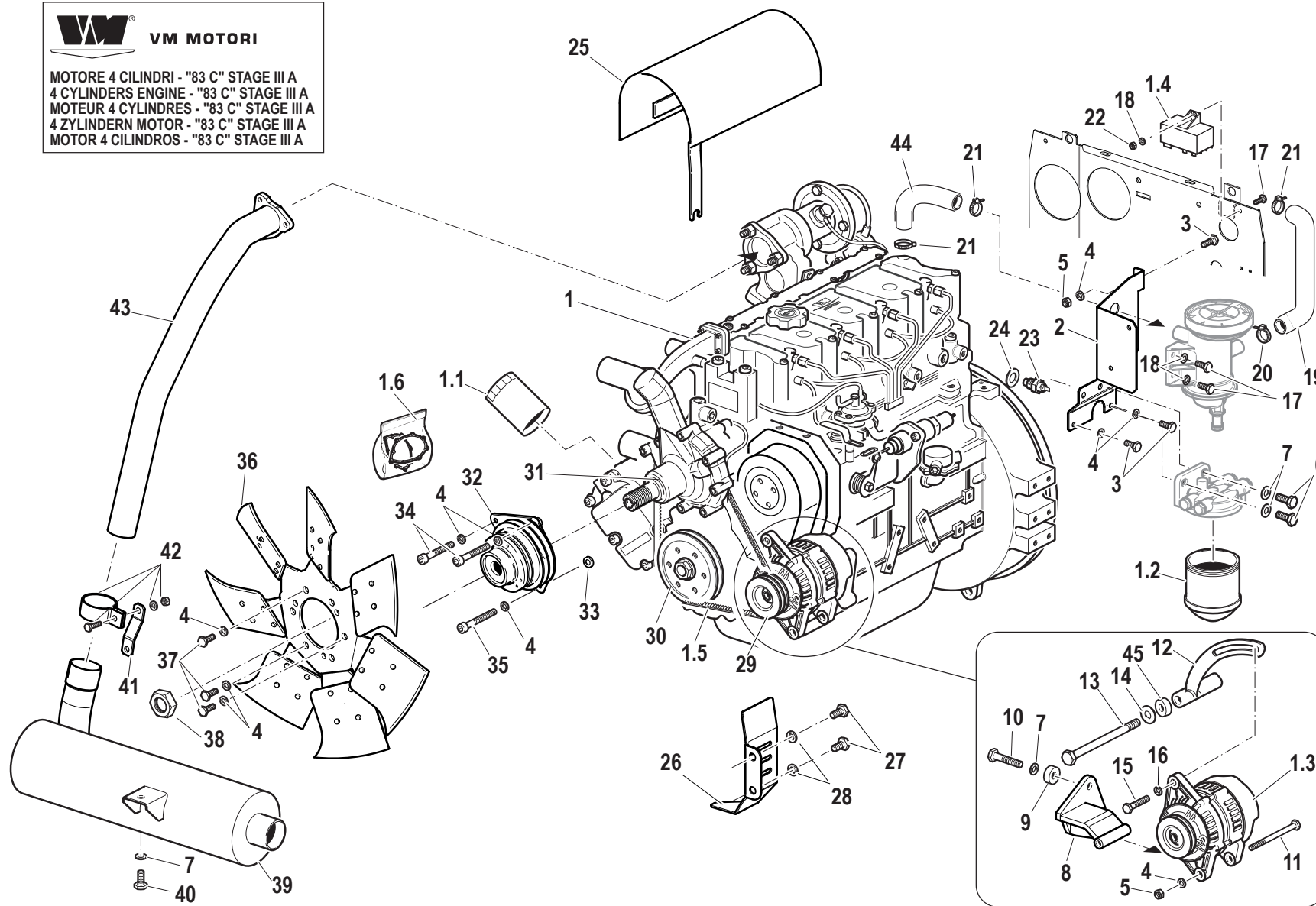
SERIAL  
END  
**916940**

**MOTORE (SELF CLEANING SYSTEM)**

Hp 85

CODE REV  
**A.01.05.L60008\_0**

**VM MOTORI**  
 MOTORE 4 CILINDRI - "83 C" STAGE III A  
 4 CYLINDERS ENGINE - "83 C" STAGE III A  
 MOTEUR 4 CYLINDRES - "83 C" STAGE III A  
 4 ZYLINDER MOTOR - "83 C" STAGE III A  
 MOTOR 4 CILINDROS - "83 C" STAGE III A



Pos.	Code	Q.ty	Description	Notes
1	41X10001	1	ENGINE	
2	59079167	1	RETAINER	
3	31111151	3	SCREW TE M8X16 UNI 5739 8G	
4	F0843643060	10	WASHER 8	
5	31211080	2	NUT M8	
6	31112219	2	SCREW TE M10X25 UNI 5739	
7	F0843755000	6	WASHER 10	
8	59077318	1	SUPPORT	
9	56173110	3	SPACER	
10	31112212	3	SCREW TE M10X35 UNI 5739	
11	31112174	1	SCREW TE M8X110 UNI 5737 8.8	
12	590A0866	1	ROD	
13	F0864335020	1	SCREW M14X120 UNI 5737	
14	31421251	1	WASHER	
15	31112153	1	SCREW TE M8X35 UNI 5739 8G	
16	31421083	1	WASHER	
17	31112090	2	SCREW TE M6X16 UNI 5739 8G	
18	F0843570000	1	WASHER 6	
19	580A1455	1	VENT HOSE	
20	F0817505200	1	FAS.10-19 SE519W4(30021119)*mr	
21	P123298000000	3	CLAMP 16-25 SX9CW1	
22	31211060	1	HEXAGONAL NUT M8	
23	58175773	1	ELECTRONICAL THERMOMETER	
24	F0844030070	1	COPPER WASHER 16,0x22/1,5	
25	59079624	1	GUARD	
26	56177979	1	SHIELD	
27	31112082	2	SCREW TE M6X12 UNI 5739 8G	
28	31411064	2	WASHER 6,4x12,5	
29	56377846	1	PULLEY	
30	56377847	1	PULLEY	
31	58079130	1	PUMP	
32	58177811	1	CLUTCH	
33	56172079	1	SPACER	
34	31152088	2	SCREW TCEI M8X55 UNI 5931	

SERIAL  
START  
**916941**

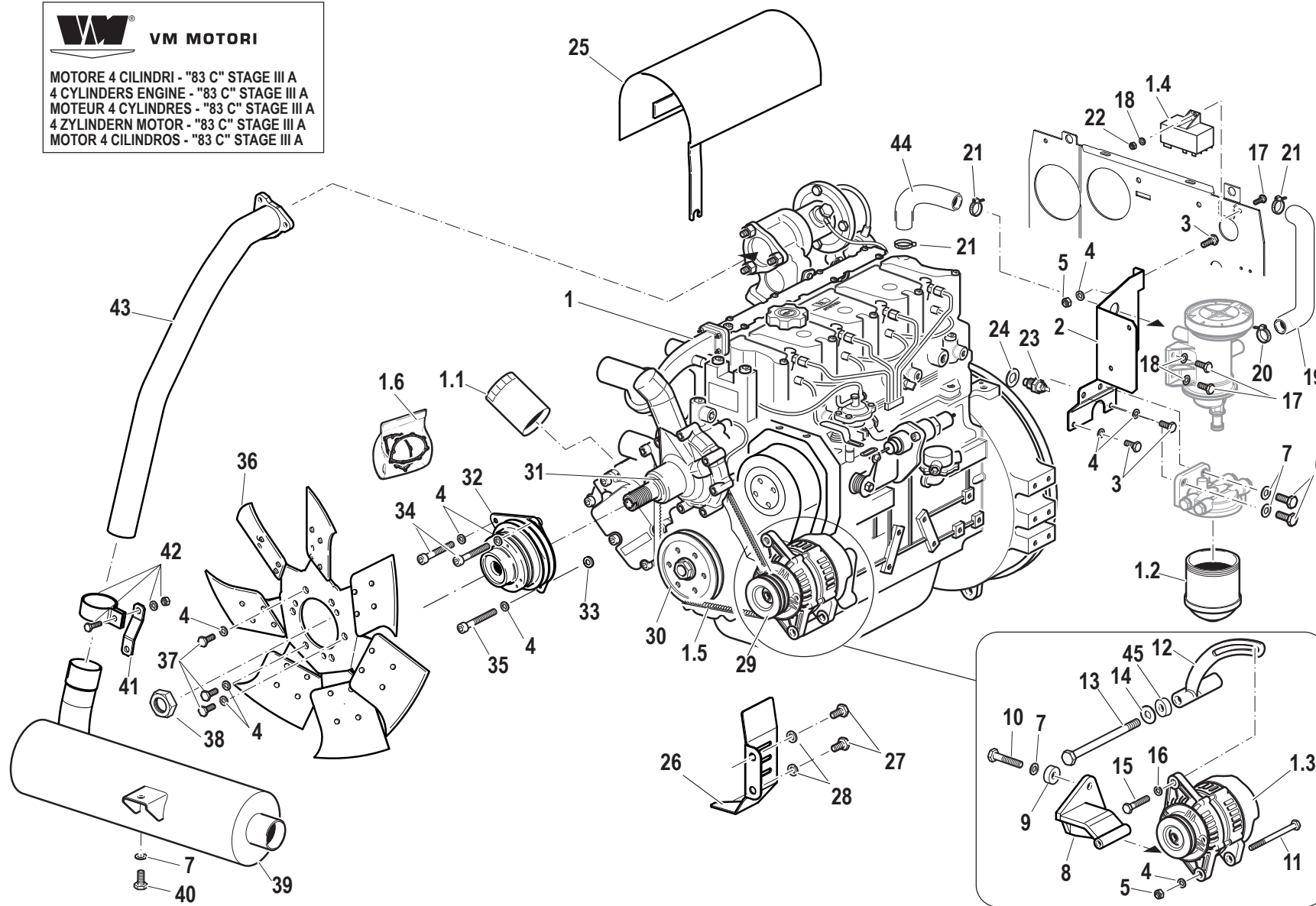
**MOTORE (SELF CLEANING SYSTEM)**

Hp 85

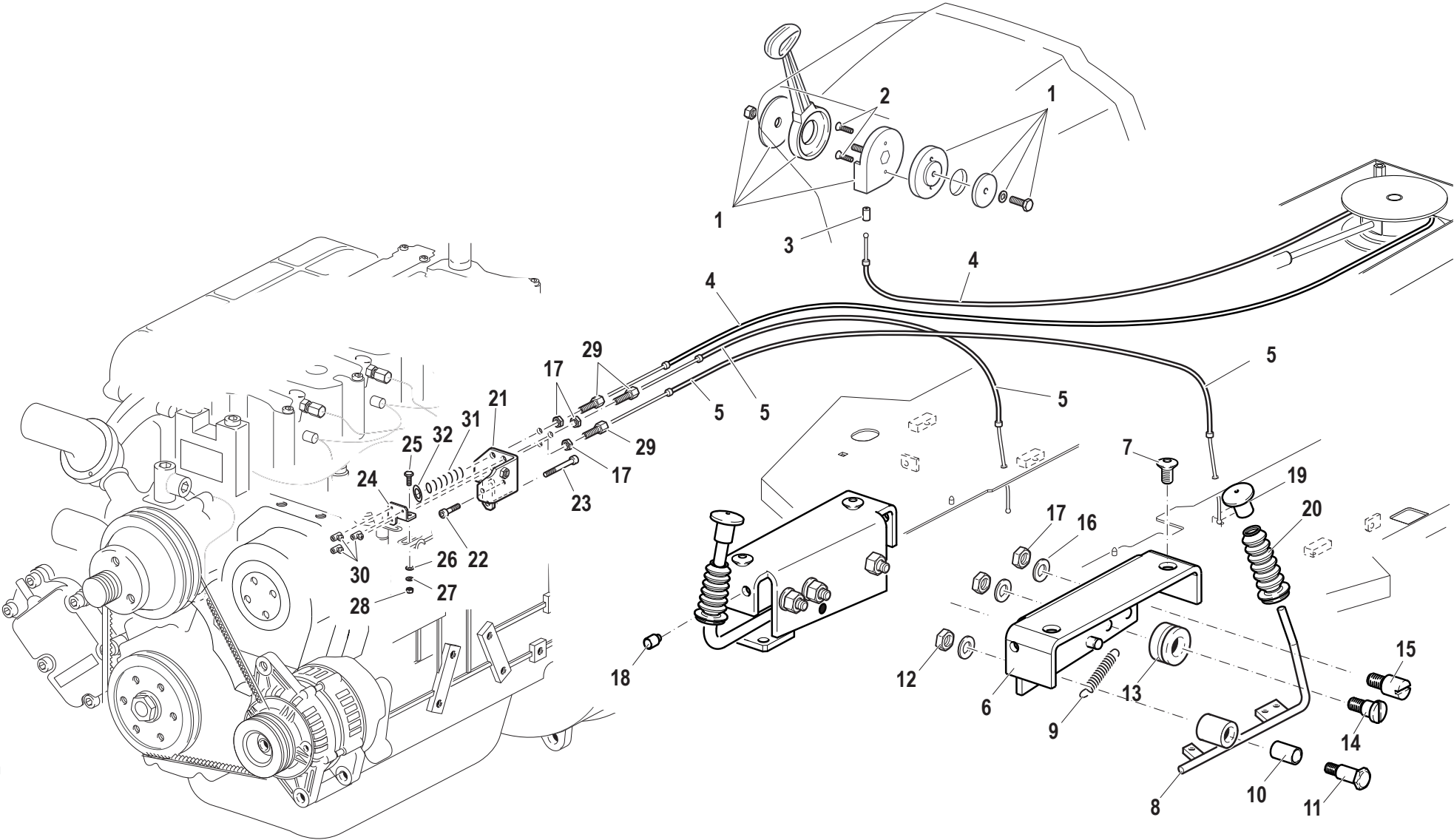
CODE REV

**A.01.05.L60008\_1**

**VM MOTORI**  
 MOTORE 4 CILINDRI - "83 C" STAGE III A  
 4 CYLINDERS ENGINE - "83 C" STAGE III A  
 MOTEUR 4 CYLINDRES - "83 C" STAGE III A  
 4 ZYLINDER MOTOR - "83 C" STAGE III A  
 MOTOR 4 CILINDROS - "83 C" STAGE III A



Pos.	Code	Q.ty	Description	Notes
35	31112159	1	SCREW TE M8X65 UNI 5737 8G	
36	58177891	1	FAN	
37	F0862495010	3	SCREW	
38	59901264	1	RING NUT	
39	58179623	1	EXHAUST SILENCER	
40	31112208	1	SCREW TE M10X16 UNI 5739	
41	56177183	1	REINFORCED STRAP	
42	58175121	1	COLLAR	
43	59079635	1	EXHAUST	
44	55176744	1	PIPE	
45	561A0867	1	SPACER	
1.1	58171199	1	OIL FILTER CARTRIDGE	
1.2	58171200	1	FUEL FILTER CARTRIDGE	
1.3	59901140	1	ALTERNATOR	
1.4	59900345	1	CENTRAL PROCESSING UNIT	
1.5	36220210	1	BELT	
1.6	59901265	1	GASKET SET	



A.02.01.L60007\_0

Pos.	Code	Q.ty	Description	Notes
1	P238106000000	1	ACCELERATOR	
2	31132562	2	SCREW TSVEI M6X16 UNI 5933	
3	F0858520000	1	SLEEVE	
4	58078625	1	CABLE	
5	58077361	2	CABLE	
6	59077107	2	BRACKET	
7	F0862481000	4	SCREW M8x16 UNI 5933	
8	59077101	2	ACCEL. PEDAL	
9	58073227	2	SPRING	
10	30030016	2	BUSHING 14x25	
11	56377112	2	SCREW	
12	31241101	2	SELFLOCK NUT M10	
13	57377106	2	PULLEY	
14	56375436	2	HINGE PIN	
15	56177648	2	GUIDE PIN	
16	F0843643060	4	WASHER 8	
17	31231080	7	NUT M8	
18	58177111	2	SLEEVE	
19	57377110	2	FOOT REST	
20	55277307	2	BELLOWS	
21	56174661	1	BRACKET	
22	31152060	1	SCREW TCEI M6X30 UNI 5931	
23	31152068	1	SCREW TCEI M6X55 UNI 5931	
24	56177655	1	BRACKET	
25	31112051	1	SCREW TE M5X14 UNI 5739 8G	
26	31411053	1	WASHER 5,3x10	
27	F0843561000	1	WASHER 5	
28	31211050	1	NUT M5	
29	56177656	3	REGISTER	
30	58048002	4	CLAMPING SCREW	
31	F0831065000	1	SPRING	
32	56177641	1	STOP	

SERIAL  
END

916940

ENGINE CONTROLS

Hp 75

CODE REV

A.02.01.L60007\_0





Pos.	Code	Q.ty	Description	Notes
1	P238106000000	1	ACCELERATOR	
2	31132562	2	SCREW TSVEI M6X16 UNI 5933	
3	F0858520000	1	SLEEVE	
4	58078625	1	CABLE	
5	58077361	2	CABLE	
6	59077107	2	BRACKET	
7	F0862481000	4	SCREW M8x16 UNI 5933	
8	59077101	2	ACCEL. PEDAL	
9	58073227	2	SPRING	
10	30030016	2	BUSHING 14x25	
11	56377112	2	SCREW	
12	31241101	2	SELFLOCK NUT M10	
13	57377106	2	PULLEY	
14	56375436	2	HINGE PIN	
15	56177648	2	GUIDE PIN	
16	F0843643060	4	WASHER 8	
17	31231080	7	NUT M8	
18	58177111	2	SLEEVE	
19	57377110	2	FOOT REST	
20	55277307	2	BELLOWS	
21	56174661	1	BRACKET	
22	31152060	1	SCREW TCEI M6X30 UNI 5931	
23	31152068	1	SCREW TCEI M6X55 UNI 5931	
24	56177655	1	BRACKET	
25	31112051	1	SCREW TE M5X14 UNI 5739 8G	
26	31411053	1	WASHER 5,3x10	
27	F0843561000	1	WASHER 5	
28	31211050	1	NUT M5	
29	56177656	3	REGISTER	
30	58048002	4	CLAMPING SCREW	
31	F0831065000	1	SPRING	
32	56177641	1	STOP	

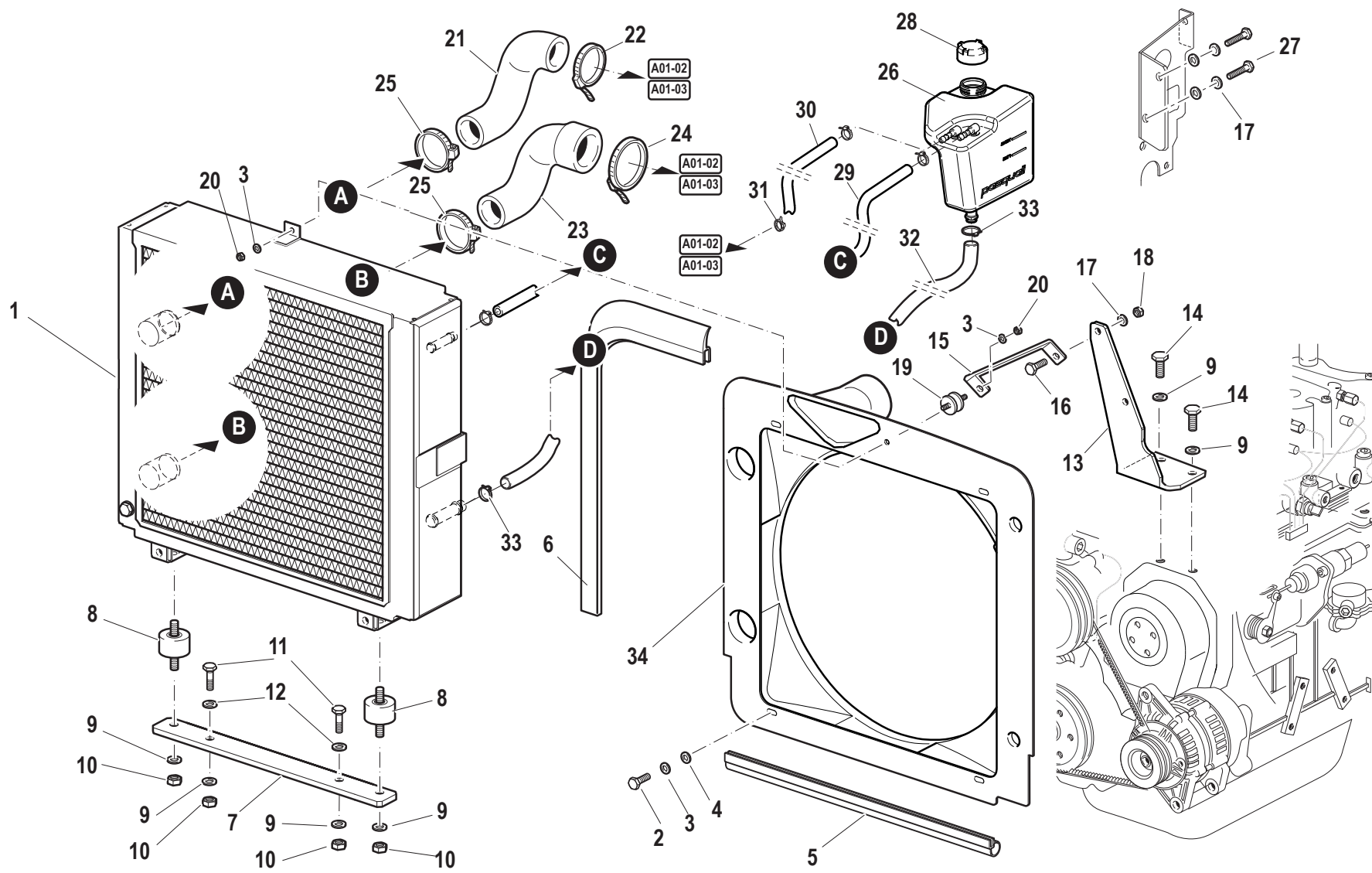
SERIAL  
START  
**916941**

**COMANDI MOTORE**

CODE REV

**A.02.01.L60008\_1**

# RADIATORE



Pos.	Code	Q.ty	Description	Notes
1	58176715	1	RADIATOR	064/06
2	31111091	4	SCREW E M6X14 UNI 5739 8G	
3	F0843570000	6	WASHER 6	
4	31411066	4	WASHER 6,6x18	
5	28174882		GASKET	
6	F0256809050		GASKET	
7	56178805	1	BRACKET	
8	58174608	2	SILENT-BLOCK	
9	F0843755000	5	WASHER 10	
10	F0814632000	4	NUT M10	
11	31112212	2	SCREW TE M10X35 UNI 5739	
12	56178806	2	SPACER	
13	59076684	1	FIXING BRACKET	
14	31152103	1	SCREW TCEI M10X25 UNI 5931	
15	56176691	1	FIXING BRACKET	
16	31112151	1	SCREW TE M8X25 UNI 5739 8G	
17	F0843643060	3	WASHER 8	
18	31211080	1	NUT M8	
19	F0849206005	1	SILENT-BLOCK	
20	F0814545000	2	NUT M6	
21	55174632	1	SLEEVE	
22	F0817500500	1	CLAMP 048,5-706R	
23	55177639	1	SLEEVE	
24	F0817500700	1	CLAMP 057,5-706R	
25	F0817500470	2	CLAMP	
26	P236340000000	1	CUP	134/09 NR
27	31111151	2	SCREW TE M8X16 UNI 5739 8G	
28	P236220000000	1	PLUG	
29	58078677	1	VENT HOSE	
30	58075873	1	VENT HOSE	
31	F0817500200	4	CLAMP 015,7-706R	
32	58077132	1	PIPE	
33	F0817500400	2	CLAMP 024,1-706R	
34	58176611	1	DUCT	064/06

SERIAL  
END

**910153**

**RADIATORE**

Hp 85

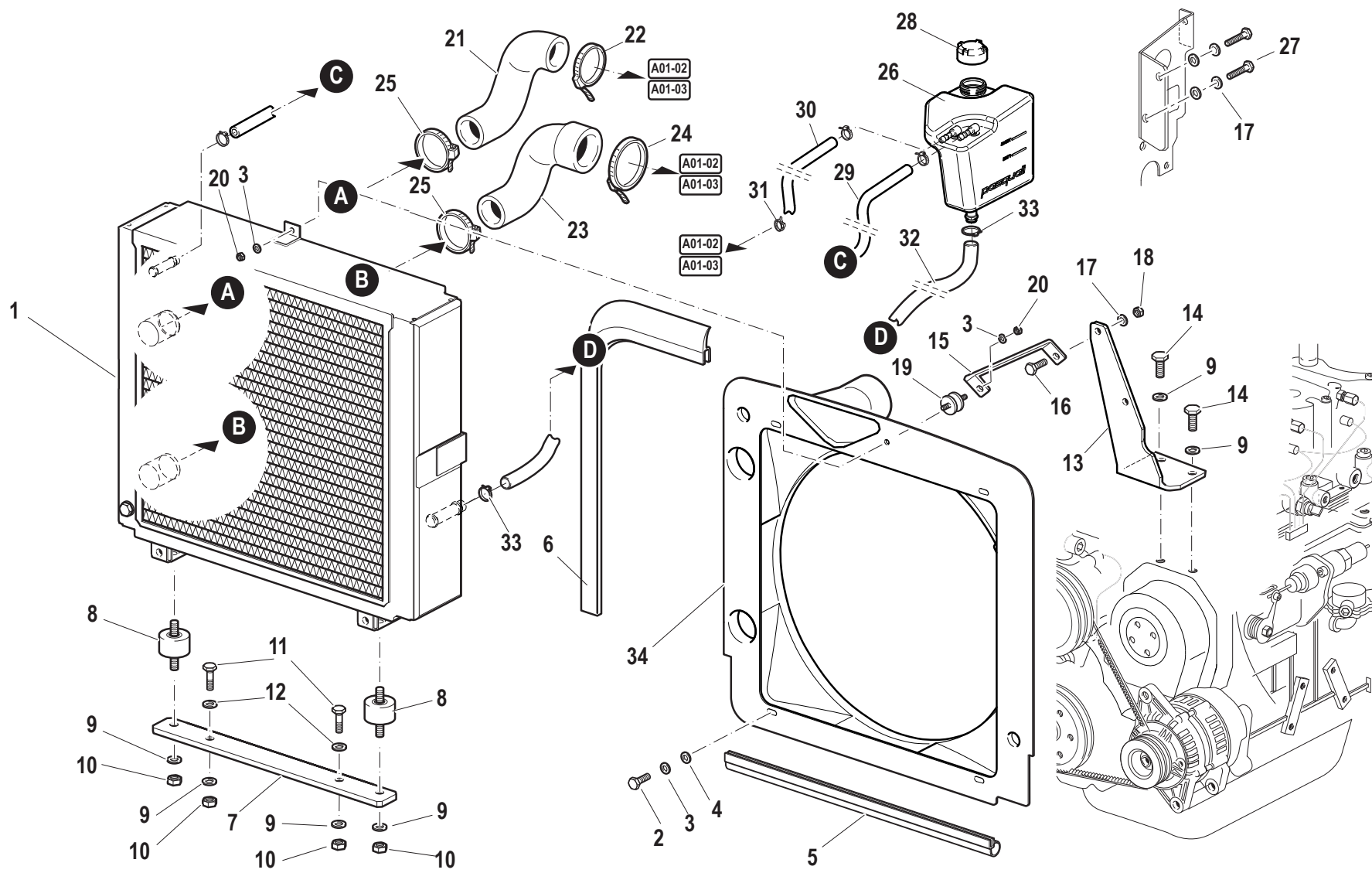
CODE REV

**A.03.03.L60008\_0**

# RADIATORE

SERIAL START 910154 END 916940

A.03.03.L60008\_1



A.03.03.L60008\_1

Pos.	Code	Q.ty	Description	Notes
1	58178585	1	RADIATOR	064/06
2	31111091	4	SCREW E M6X14 UNI 5739 8G	
3	F0843570000	6	WASHER 6	
4	31411066	4	WASHER 6,6x18	
5	28174882		GASKET	
6	F0256809050		GASKET	
7	56178805	1	BRACKET	
8	58174608	2	SILENT-BLOCK	
9	F0843755000	5	WASHER 10	
10	F0814632000	4	NUT M10	
11	31112212	2	SCREW TE M10X35 UNI 5739	
12	56178806	2	SPACER	
13	59076684	1	FIXING BRACKET	
14	31152103	1	SCREW TCEI M10X25 UNI 5931	
15	56176691	1	FIXING BRACKET	
16	31112151	1	SCREW TE M8X25 UNI 5739 8G	
17	F0843643060	3	WASHER 8	
18	31211080	1	NUT M8	
19	F0849206005	1	SILENT-BLOCK	
20	F0814545000	2	NUT M6	
21	55174632	1	SLEEVE	
22	F0817500500	1	CLAMP 048,5-706R	
23	55177639	1	SLEEVE	
24	F0817500700	1	CLAMP 057,5-706R	
25	F0817500470	2	CLAMP	
26	P236340000000	1	CUP	134/09 NR
27	31111151	2	SCREW TE M8X16 UNI 5739 8G	
28	P236220000000	1	PLUG	
29	58078677	1	VENT HOSE	
30	58075873	1	VENT HOSE	
31	F0817500200	4	CLAMP 015,7-706R	
32	58077132	1	PIPE	
33	F0817500400	2	CLAMP 024,1-706R	
34	58178638	1	DUCT	064/06

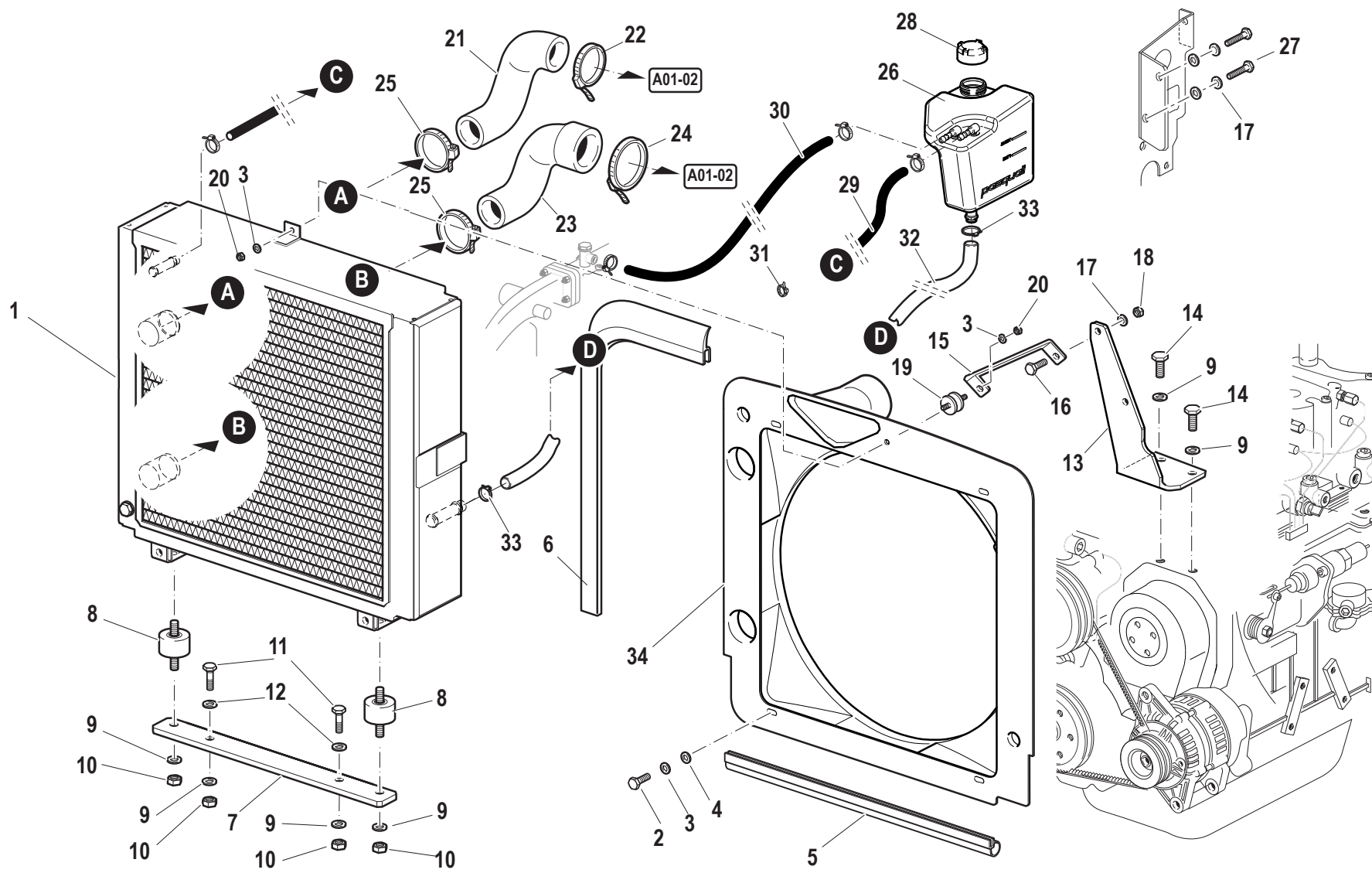
SERIAL  
START  
**910154**

END  
**916940**

**RADIATORE**  
Hp 85

CODE REV  
**A.03.03.L60008\_1**

# RADIATORE



Pos.	Code	Q.ty	Description	Notes
1	58178585	1	RADIATOR	064/06
2	31111091	4	SCREW E M6X14 UNI 5739 8G	
3	F0843570000	6	WASHER 6	
4	31411066	4	WASHER 6,6x18	
5	28174882		GASKET	
6	F0256809050		GASKET	
7	56178805	1	BRACKET	
8	58174608	2	SILENT-BLOCK	
9	F0843755000	5	WASHER 10	
10	F0814632000	4	NUT M10	
11	31112212	2	SCREW TE M10X35 UNI 5739	
12	56178806	2	SPACER	
13	59076684	1	FIXING BRACKET	
14	31152103	1	SCREW TCEI M10X25 UNI 5931	
15	56176691	1	FIXING BRACKET	
16	31112151	1	SCREW TE M8X25 UNI 5739 8G	
17	F0843643060	3	WASHER 8	
18	31211080	1	NUT M8	
19	F0849206005	1	SILENT-BLOCK	
20	F0814545000	2	NUT M6	
21	55174632	1	SLEEVE	
22	F0817500500	1	CLAMP 048,5-706R	
23	55177639	1	SLEEVE	
24	F0817500700	1	CLAMP 057,5-706R	
25	F0817500470	2	CLAMP	
26	P236340000000	1	CUP	134/09 NR
27	31111151	2	SCREW TE M8X16 UNI 5739 8G	
28	P236220000000	1	PLUG	
29	58078677	1	VENT HOSE	
30	58075873	1	VENT HOSE	
31	F0817500200	4	CLAMP 015,7-706R	
32	58077132	1	PIPE	
33	F0817500400	2	CLAMP 024,1-706R	
34	58178638	1	DUCT	064/06

SERIAL  
START  
**916941**

END  
**918549**

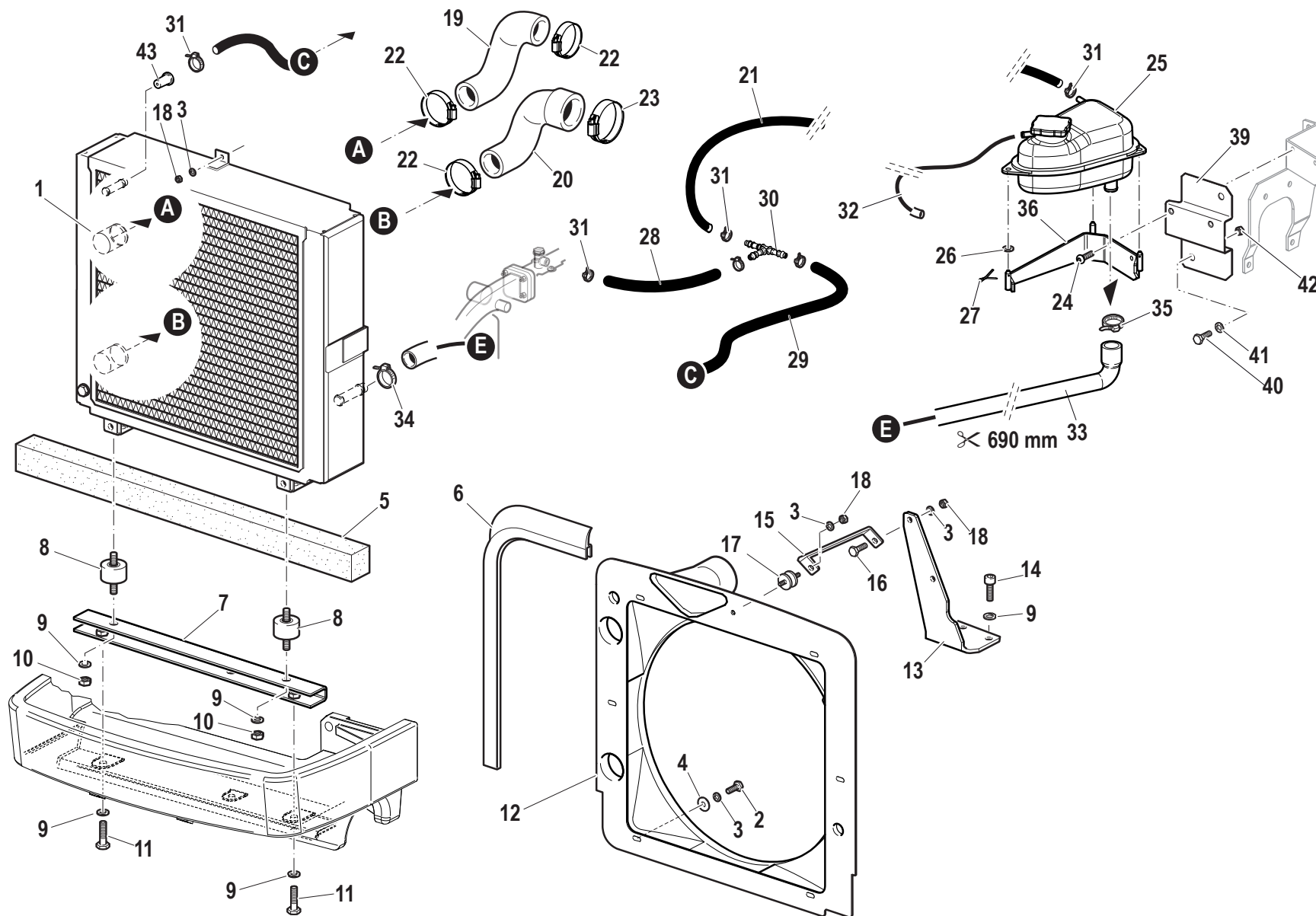
**RADIATORE**  
Hp 85

CODE REV  
**A.03.03.L60008\_2**



# RADIATORE

SERIAL START 918550 END 919020



Pos.	Code	Q.ty	Description	Notes
1	58178585	1	RADIATOR	
2	31111091	4	SCREW E M6X14 UNI 5739 8G	
3	F0843570000	8	WASHER 6	
4	31411066	6	WASHER 6,6x18	
5	573A0226	1	COOLER SPONGY GASKET	
6	F0256809050	1	GASKET	
7	59079785	1	SUPPORT COVER	
8	58174608	2	SILENT-BLOCK	
9	F0843755000	4	WASHER 10	
10	F0814632000	2	NUT M10	
11	31112219	2	SCREW TE M10X25 UNI 5739	
12	58178638	1	DUCT	
13	59079626	1	FIXING BRACKET	
14	31152103	1	SCREW TCEI M10X25 UNI 5931	
15	56176691	1	FIXING BRACKET	
16	31112151	1	SCREW TE M8X25 UNI 5739 8G	
17	F0849206005	1	SILENT-BLOCK	
18	31211060	7	HEXAGONAL NUT M8	
19	55174632	1	SLEEVE	
20	55177639	1	SLEEVE	
21	58075873	1	VENT HOSE	
22	P405391000001	3	CLAMP	
23	F0817550100	1	CLAMP	
24	31121006	2	SCREW TBCEI M6X16 ISO 7380	
25	58093053	1	CUP	
26	F0824022000	3	SPECIAL GASKET D.8,4X12/1	
27	F0810510000	3	SPLIT PIN A2,0X20 UNI 1336	
28	580A0606	1	PIPE R6 (8x14) L=160	
29	58070875	1	VENT HOSE	
30	58170339	1	PIPE FITTING	
31	F0817505200	6	FAS.10-19 SE519W4(30021119)*mr	
32	F0256112009	1	PIPE	
33	580A1040	1	PIPE	
34	P123298000000	1	CLAMP 16-25 SX9CW1	

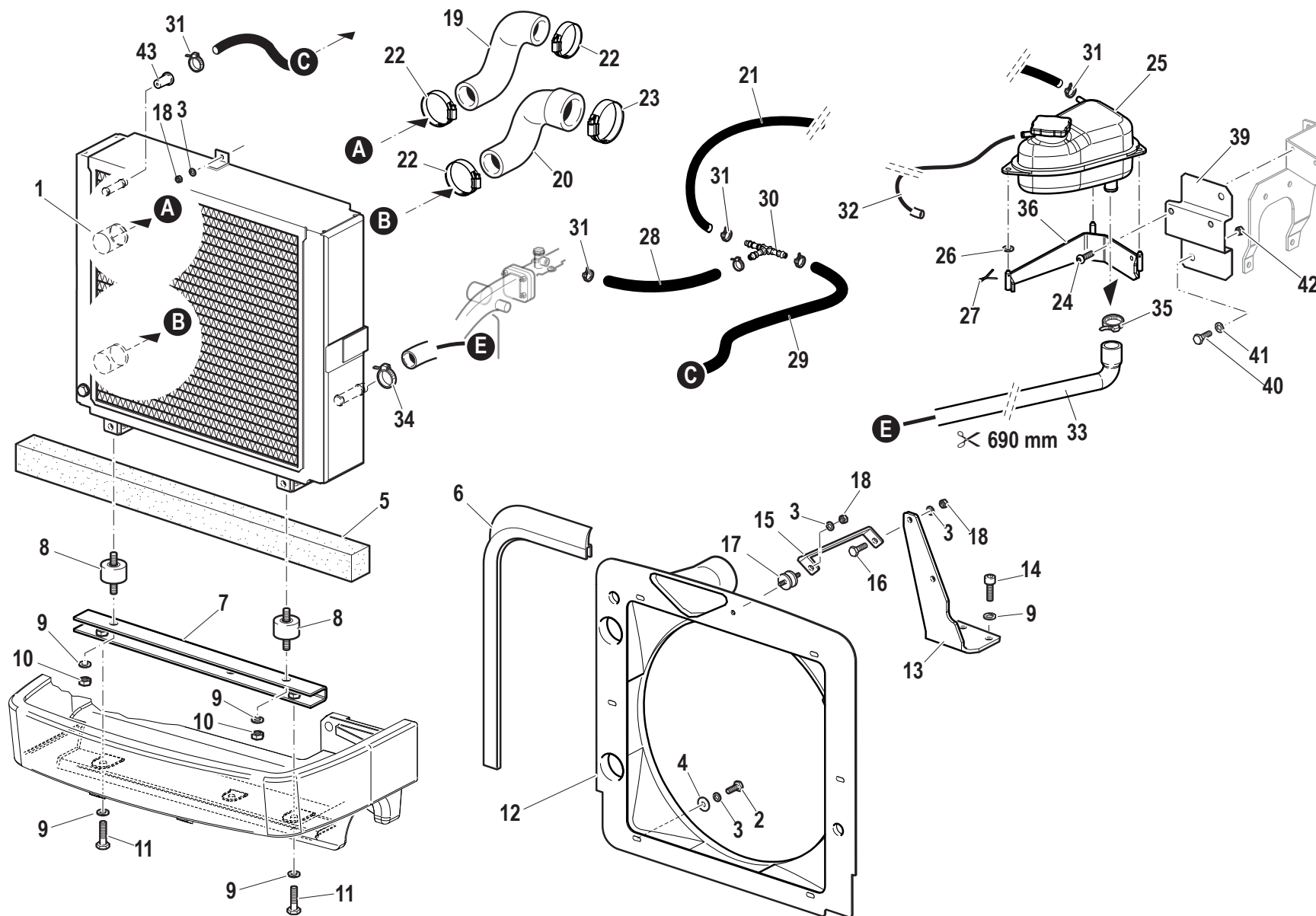
SERIAL  
START  
**918550**

END  
**919020**

**RADIATORE**  
Hp 85

CODE REV  
**A.03.03.L60008\_3**

# RADIATORE



Pos.	Code	Q.ty	Description	Notes
35	P405339000000	1	CLAMP	
36	590A0389	1	SUPPORT	
37	F0814545000	2	NUT M6	
39	590A0851	1	BRACKET	
40	31111151	2	SCREW TE M8X16 UNI 5739 8G	
41	F0843643060	2	WASHER 8	
42	31211080	2	NUT M8	

SERIAL  
START  
**918550**

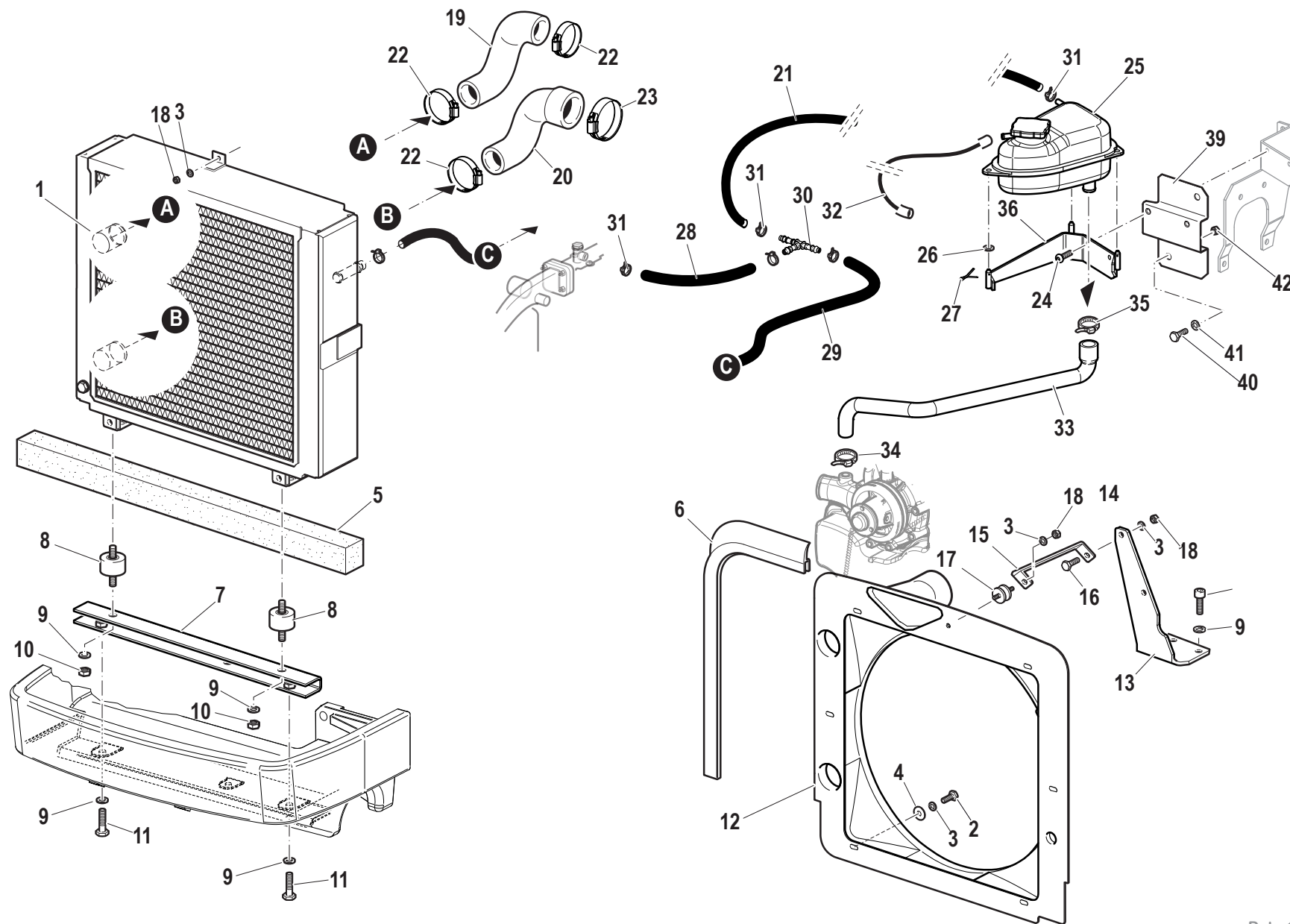
END  
**919020**

**RADIATORE**  
Hp 85

CODE REV  
**A.03.03.L60008\_3**

# RADIATORE

SERIAL START 919021



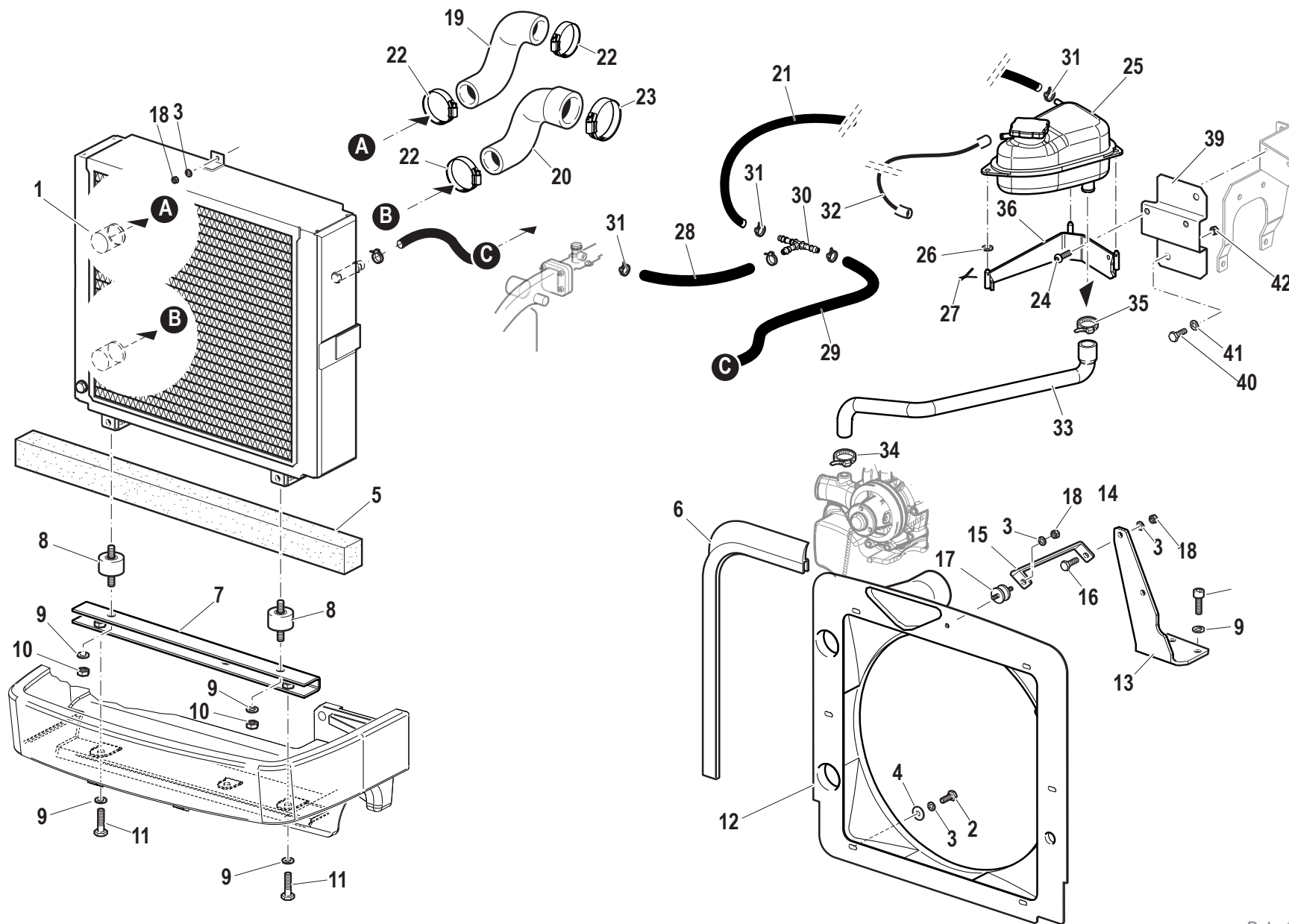
Pos.	Code	Q.ty	Description	Notes
1	581A2363	1	RADIATORE 5 RANGHI 85	138/09
2	31111091	4	SCREW E M6X14 UNI 5739 8G	
3	F0843570000	8	WASHER 6	
4	31411066	6	WASHER 6,6x18	
5	573A0226	1	COOLER SPONGY GASKET	
6	F0256809050	1	GASKET	
7	59079785	1	SUPPORT COVER	
8	58174608	2	SILENT-BLOCK	
9	F0843755000	4	WASHER 10	
10	F0814632000	2	NUT M10	
11	31112219	2	SCREW TE M10X25 UNI 5739	
12	573A0854	1	DUCT	138/09
13	59079626	1	FIXING BRACKET	
14	31152103	1	SCREW TCEI M10X25 UNI 5931	
15	56176691	1	FIXING BRACKET	
16	31112151	1	SCREW TE M8X25 UNI 5739 8G	
17	F0849206005	1	SILENT-BLOCK	
18	31211060	7	HEXAGONAL NUT M8	
19	55174632	1	SLEEVE	
20	55177639	1	SLEEVE	
21	58075873	1	VENT HOSE	
22	P405391000001	3	CLAMP	
23	F0817550100	1	CLAMP	
24	31121006	2	SCREW TBCEI M6X16 ISO 7380	
25	58093053	1	CUP	
26	F0824022000	3	SPECIAL GASKET D.8,4X12/1	
27	F0810510000	3	SPLIT PIN A2,0X20 UNI 1336	
28	580A0606	1	PIPE R6 (8x14) L=160	
29	58070875	1	VENT HOSE	
30	58170339	1	PIPE FITTING	
31	F0817505200	6	FAS.10-19 SE519W4(30021119)*mr	
32	F0256112009	1	PIPE	
33	580A1040	1	PIPE	138/09
34	P123298000000	1	CLAMP 16-25 SX9CW1	

SERIAL  
START  
**919021**

**RADIATORE**  
Hp 85

CODE REV  
**A.03.03.L60008\_4**

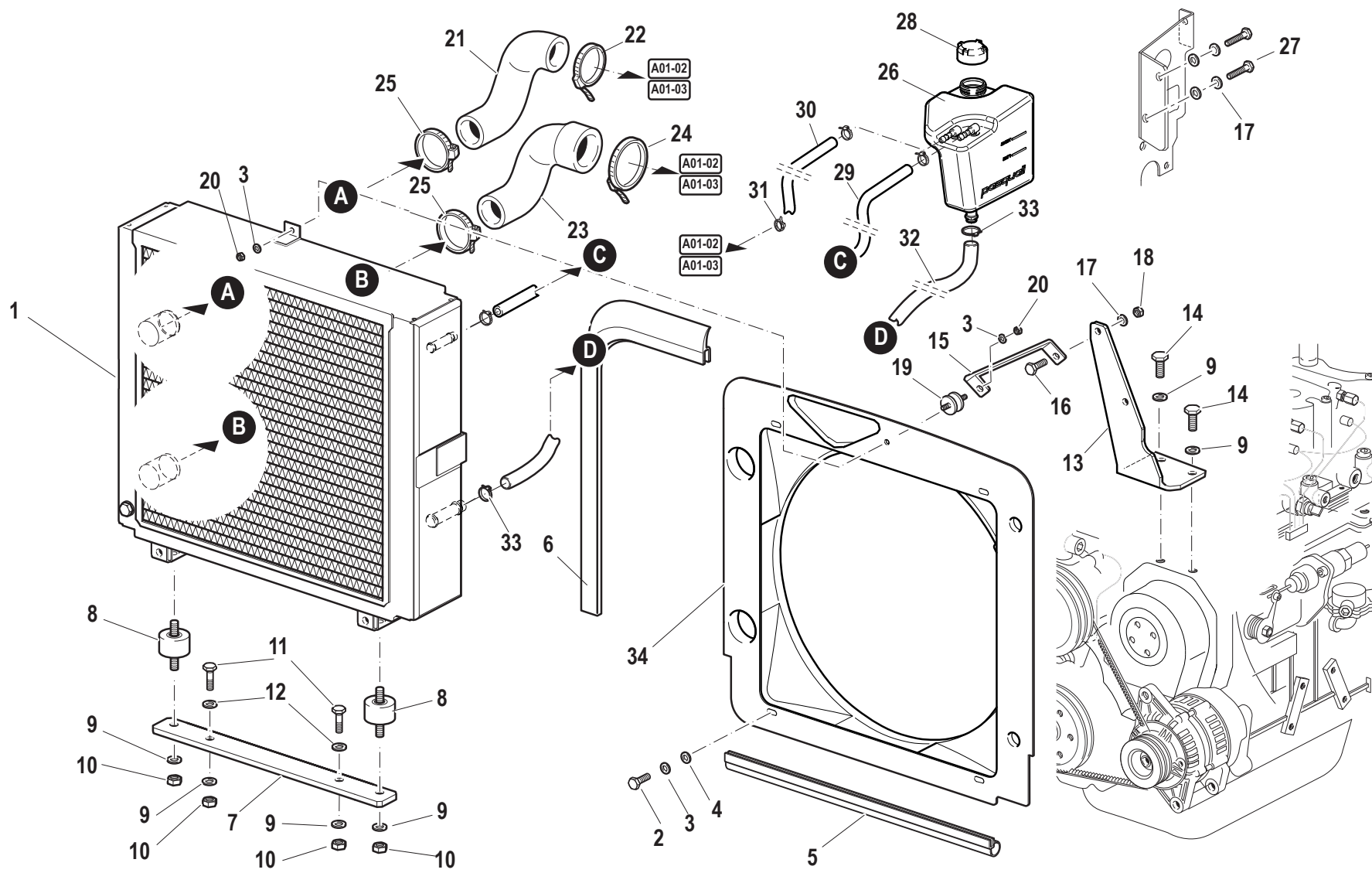
# RADIATORE



Pos.	Code	Q.ty	Description	Notes
35	P405339000000	1	CLAMP	138/09
36	590A0389	1	SUPPORT	
37	F0814545000	2	NUT M6	
39	590A0851	1	BRACKET	
40	31111151	2	SCREW TE M8X16 UNI 5739 8G	
41	F0843643060	2	WASHER 8	
42	31211080	2	NUT M8	



# RADIATORE



A.03.05.L60008\_0

Pos.	Code	Q.ty	Description	Notes
1	58176715	1	RADIATOR	064/06
2	31112082	4	SCREW TE M6X12 UNI 5739 8G	
3	F0843570000	6	WASHER 6	
4	31411064	4	WASHER 6,4x12,5	
5	28174882	0	GASKET	
6	F0256809050	0	GASKET	
7	56178805	1	BRACKET	
8	58174608	2	SILENT-BLOCK	
9	F0843755000	5	WASHER 10	
10	F0814632000	4	NUT M10	
11	31112212	2	SCREW TE M10X35 UNI 5739	
12	56178806	2	SPACER	
13	59076684	1	FIXING BRACKET	
14	31152103	1	SCREW TCEI M10X25 UNI 5931	
15	56176691	1	FIXING BRACKET	
16	31112151	1	SCREW TE M8X25 UNI 5739 8G	
17	F0843643060	3	WASHER 8	
18	31211080	1	NUT M8	
19	F0849206005	1	SILENT-BLOCK	
20	F0814545000	2	NUT M6	
21	55174632	1	SLEEVE	
22	F0817500500	1	CLAMP 048,5-706R	
23	55177639	1	SLEEVE	
24	F0817500700	1	CLAMP 057,5-706R	
25	F0817500470	2	CLAMP	
26	P236340000000	1	CUP	134/09
27	31111151	2	SCREW TE M8X16 UNI 5739 8G	
28	P236220000000	1	PLUG	
29	58078677	1	VENT HOSE	
30	58075873	1	VENT HOSE	
31	F0817500200	4	CLAMP 015,7-706R	
32	58077132	1	PIPE	
33	F0817500400	2	CLAMP 024,1-706R	
34	58177194	1	DUCT	064/06

SERIAL  
END

**910153**

**RADIATORE**

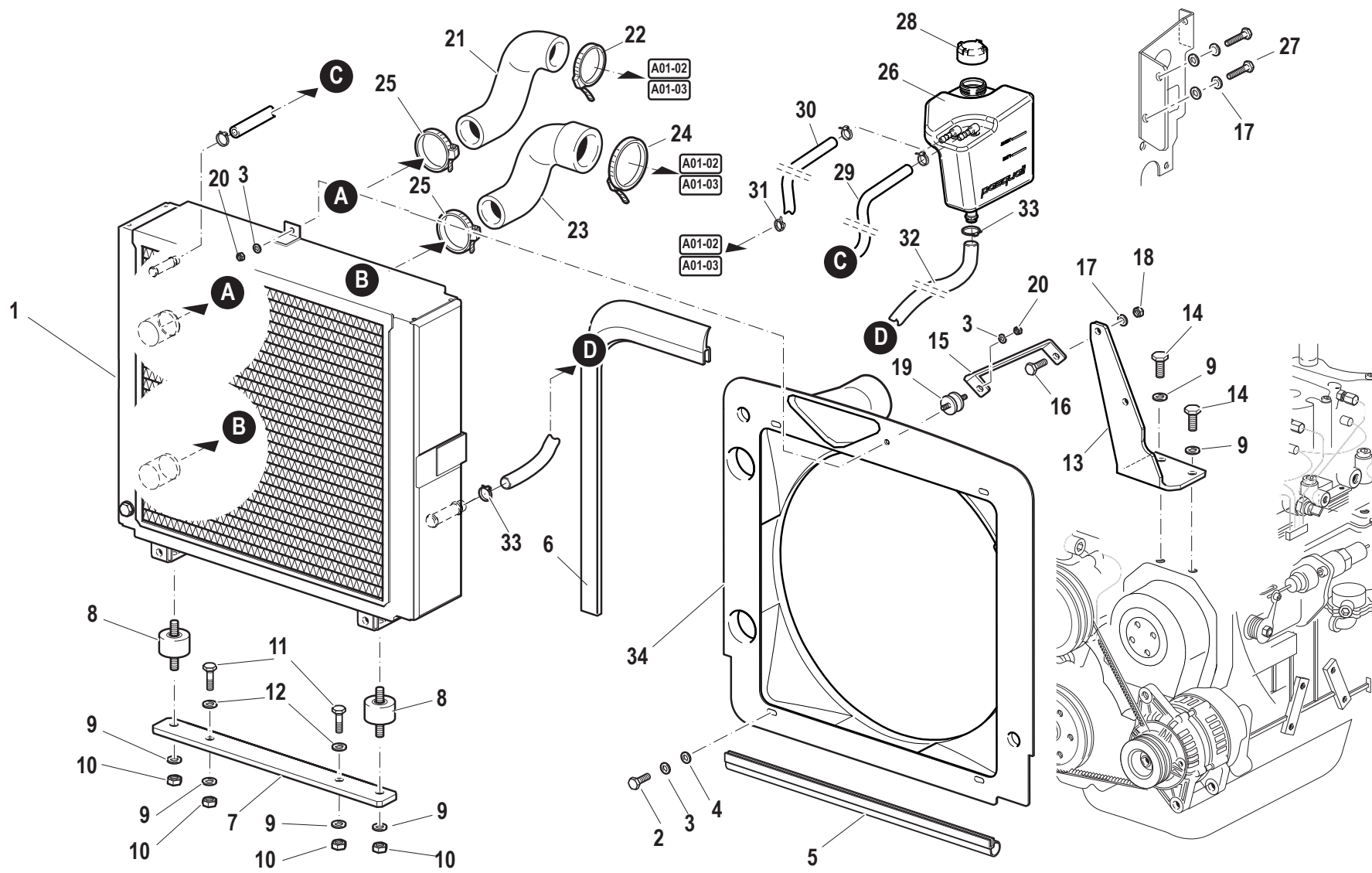
CODE REV

**A.03.05.L60008\_0**

# RADIATORE

SERIAL START 910154 END 916940

A.03.05.L60008\_1



A.03.05.L60008\_1

Pos.	Code	Q.ty	Description	Notes
1	58178585	1	RADIATOR	064/06
2	31112082	4	SCREW TE M6X12 UNI 5739 8G	
3	F0843570000	6	WASHER 6	
4	31411064	4	WASHER 6,4x12,5	
5	28174882	0	GASKET	
6	F0256809050	0	GASKET	
7	56178805	1	BRACKET	
8	58174608	2	SILENT-BLOCK	
9	F0843755000	5	WASHER 10	
10	F0814632000	4	NUT M10	
11	31112212	2	SCREW TE M10X35 UNI 5739	
12	56178806	2	SPACER	
13	59076684	1	FIXING BRACKET	
14	31152103	1	SCREW TCEI M10X25 UNI 5931	
15	56176691	1	FIXING BRACKET	
16	31112151	1	SCREW TE M8X25 UNI 5739 8G	
17	F0843643060	3	WASHER 8	
18	31211080	1	NUT M8	
19	F0849206005	1	SILENT-BLOCK	
20	F0814545000	2	NUT M6	
21	55174632	1	SLEEVE	
22	F0817500500	1	CLAMP 048,5-706R	
23	55177639	1	SLEEVE	
24	F0817500700	1	CLAMP 057,5-706R	
25	F0817500470	2	CLAMP	
26	P236340000000	1	CUP	139/04
27	31111151	2	SCREW TE M8X16 UNI 5739 8G	
28	P236220000000	1	PLUG	
29	58078677	1	VENT HOSE	
30	58075873	1	VENT HOSE	
31	F0817500200	4	CLAMP 015,7-706R	
32	58077132	1	PIPE	
33	F0817500400	2	CLAMP 024,1-706R	
34	58178639	1	DUCT	064/06

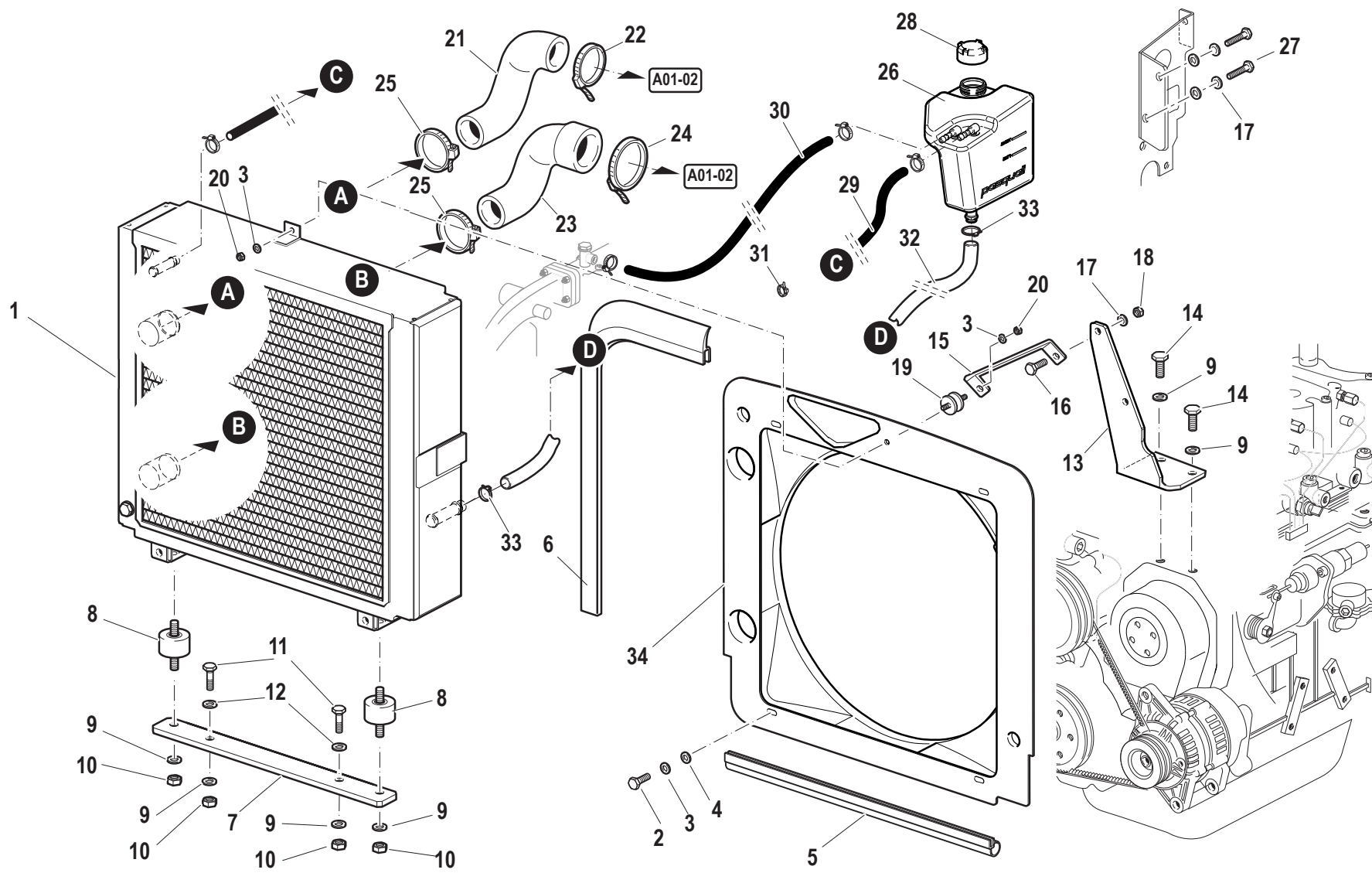
SERIAL  
START  
**910154**

END  
**916940**

**RADIATORE**

CODE REV  
**A.03.05.L60008\_1**

# RADIATORE



Pos.	Code	Q.ty	Description	Notes
1	58178585	1	RADIATOR	064/06
2	31111091	4	SCREW E M6X14 UNI 5739 8G	
3	F0843570000	6	WASHER 6	
4	31411066	4	WASHER 6,6x18	
5	28174882		GASKET	
6	F0256809050		GASKET	
7	56178805	1	BRACKET	
8	58174608	2	SILENT-BLOCK	
9	F0843755000	5	WASHER 10	
10	F0814632000	4	NUT M10	
11	31112212	2	SCREW TE M10X35 UNI 5739	
12	56178806	2	SPACER	
13	59076684	1	FIXING BRACKET	
14	31152103	1	SCREW TCEI M10X25 UNI 5931	
15	56176691	1	FIXING BRACKET	
16	31112151	1	SCREW TE M8X25 UNI 5739 8G	
17	F0843643060	3	WASHER 8	
18	31211080	1	NUT M8	
19	F0849206005	1	SILENT-BLOCK	
20	F0814545000	2	NUT M6	
21	55174632	1	SLEEVE	
22	F0817500500	1	CLAMP 048,5-706R	
23	55177639	1	SLEEVE	
24	F0817500700	1	CLAMP 057,5-706R	
25	F0817500470	2	CLAMP	
26	P236340000000	1	CUP	134/09 NR
27	31111151	2	SCREW TE M8X16 UNI 5739 8G	
28	P236220000000	1	PLUG	
29	58078677	1	VENT HOSE	
30	58075873	1	VENT HOSE	
31	F0817500200	4	CLAMP 015,7-706R	
32	58077132	1	PIPE	
33	F0817500400	2	CLAMP 024,1-706R	
34	58178639	1	DUCT	064/06

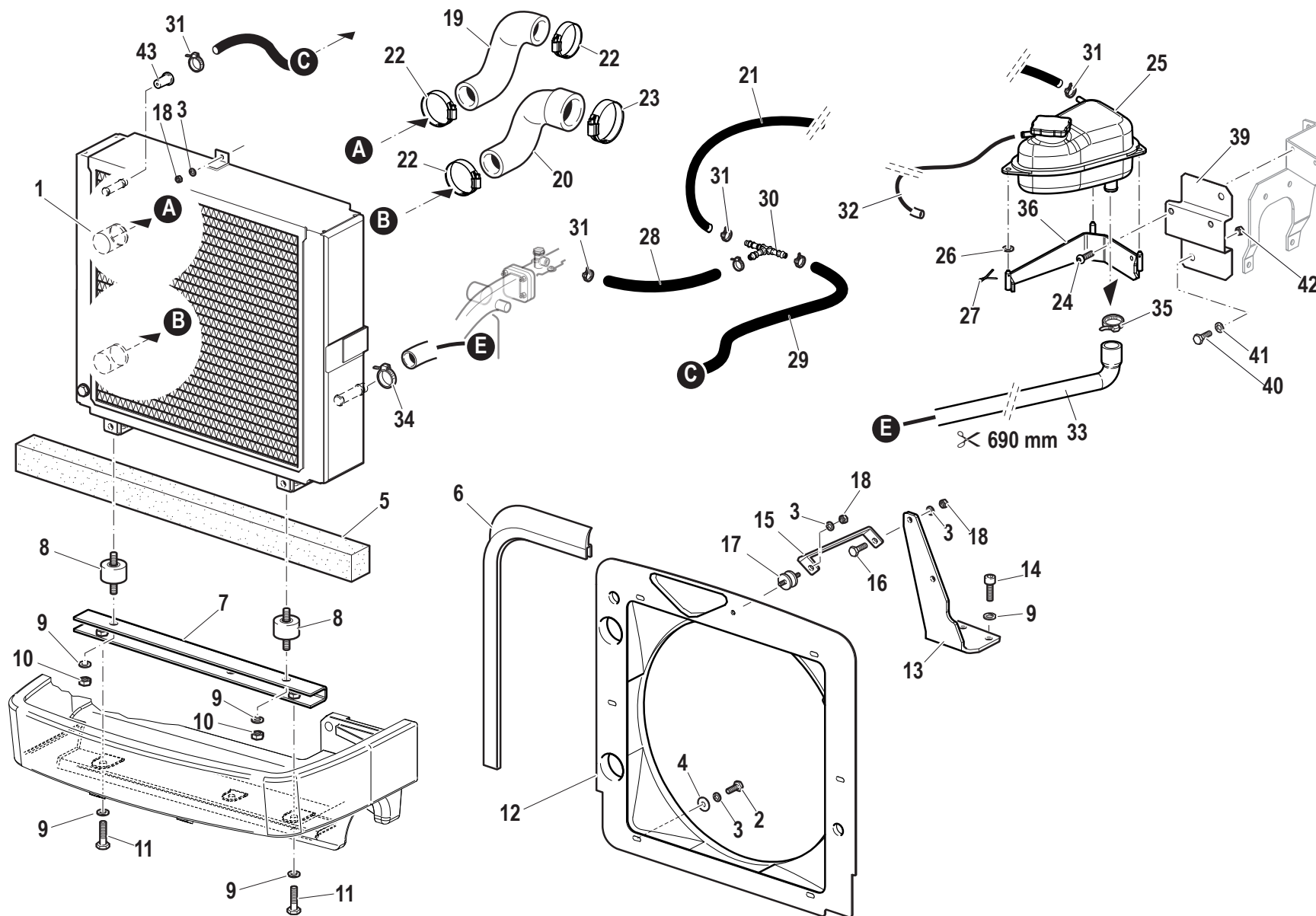
SERIAL  
START  
**916941**

END  
**918548**

**RADIATORE**  
Hp 85

CODE REV  
**A.03.05.L60008\_2**

# RADIATORE



Pos.	Code	Q.ty	Description	Notes
1	58178585	1	RADIATOR	
2	31111091	4	SCREW E M6X14 UNI 5739 8G	
3	F0843570000	8	WASHER 6	
4	31411066	6	WASHER 6,6x18	
5	573A0226	1	COOLER SPONGY GASKET	
6	F0256809050	1	GASKET	
7	59079785	1	SUPPORT COVER	
8	58174608	2	SILENT-BLOCK	
9	F0843755000	4	WASHER 10	
10	F0814632000	2	NUT M10	
11	31112219	2	SCREW TE M10X25 UNI 5739	
12	58178639	1	DUCT	
13	59079626	1	FIXING BRACKET	
14	31152103	1	SCREW TCEI M10X25 UNI 5931	
15	56176691	1	FIXING BRACKET	
16	31112151	1	SCREW TE M8X25 UNI 5739 8G	
17	F0849206005	1	SILENT-BLOCK	
18	31211060	7	HEXAGONAL NUT M8	
19	55174632	1	SLEEVE	
20	55177639	1	SLEEVE	
21	58075873	1	VENT HOSE	
22	P405391000001	3	CLAMP	
23	F0817550100	1	CLAMP	
24	31121006	2	SCREW TBCEI M6X16 ISO 7380	
25	58093053	1	CUP	
26	F0824022000	3	SPECIAL GASKET D.8,4X12/1	
27	F0810510000	3	SPLIT PIN A2,0X20 UNI 1336	
28	580A0606	1	PIPE R6 (8x14) L=160	
29	58070875	1	VENT HOSE	
30	58170339	1	PIPE FITTING	
31	F0817505200	6	FAS.10-19 SE519W4(30021119)*mr	
32	F0256112009	1	PIPE	
33	580A1040	1	PIPE	
34	P123298000000	1	CLAMP 16-25 SX9CW1	

SERIAL  
START  
**918549**

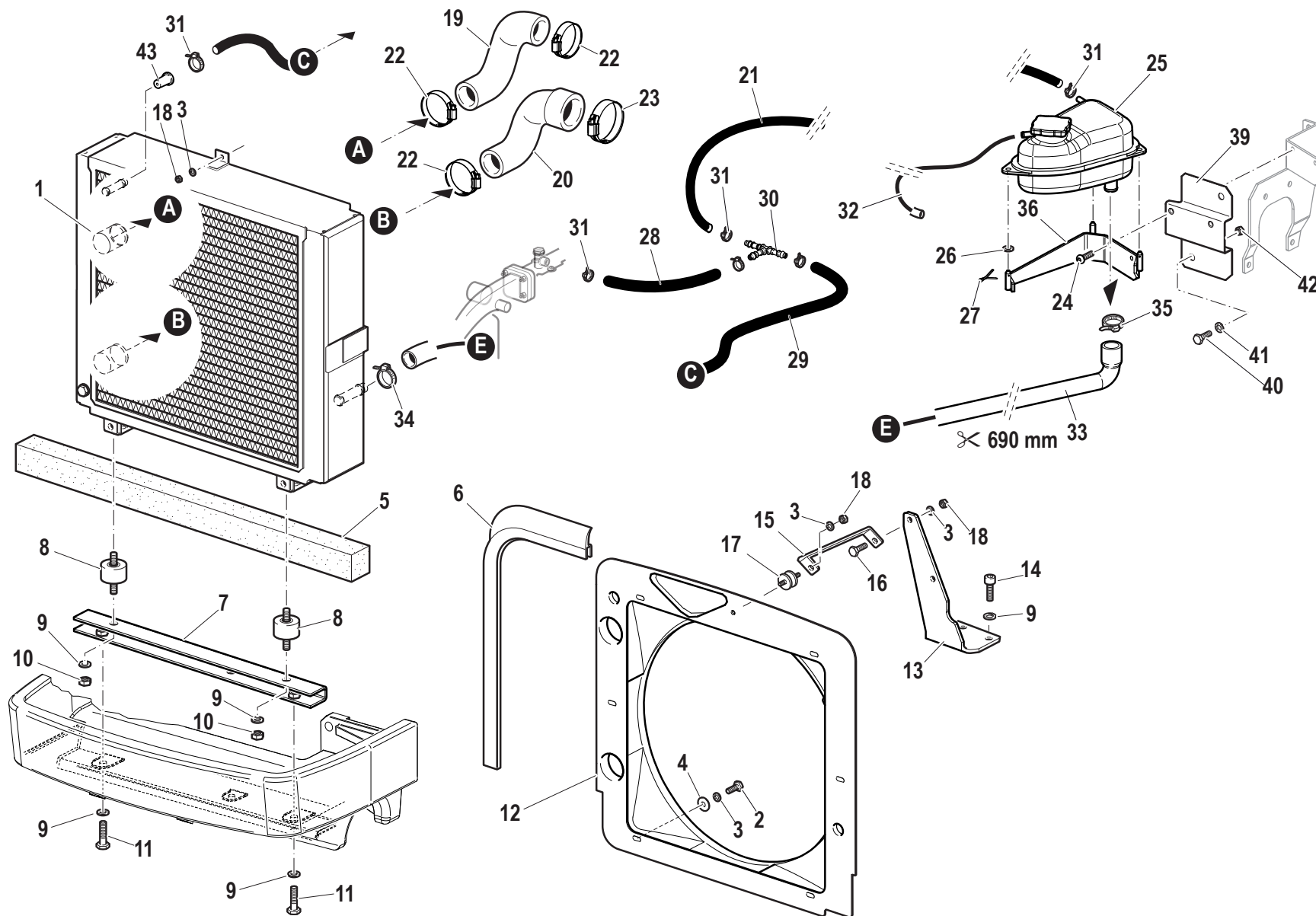
END  
**919020**

**RADIATORE**  
Hp 85

CODE REV  
**A.03.05.L60008\_3**



# RADIATORE



Pos.	Code	Q.ty	Description	Notes
35	P405339000000	1	CLAMP	
36	590A0389	1	SUPPORT	
37	F0814545000	2	NUT M6	
39	590A0851	1	BRACKET	
40	31111151	2	SCREW TE M8X16 UNI 5739 8G	
41	F0843643060	2	WASHER 8	
42	31211080	2	NUT M8	

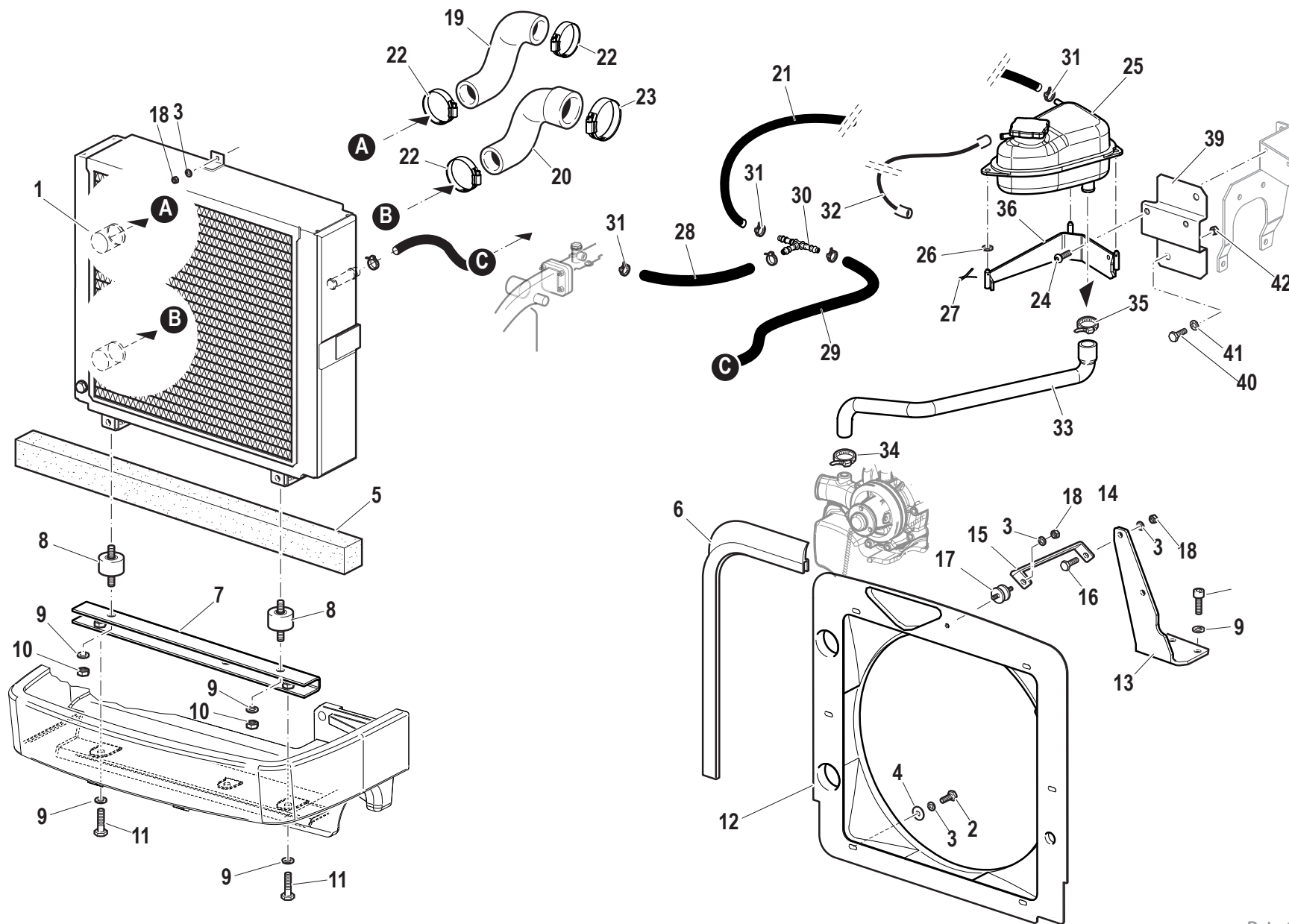
SERIAL  
START  
**918549**

END  
**919020**

**RADIATORE**  
Hp 85

CODE REV  
**A.03.05.L60008\_3**

# RADIATORE



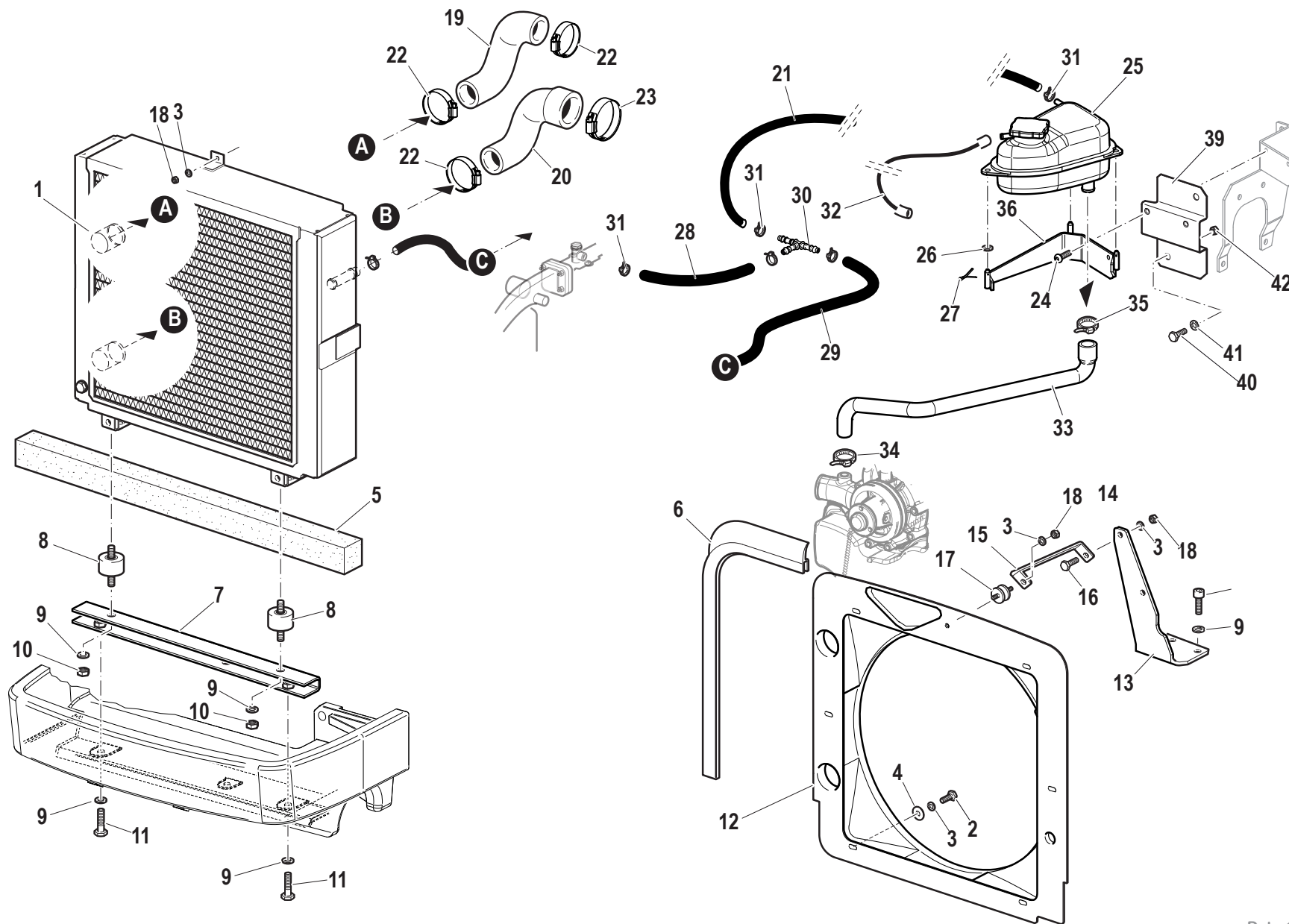
Pos.	Code	Q.ty	Description	Notes
1	581A2363	1	RADIATORE 5 RANGHI 85	138/09
2	31111091	4	SCREW E M6X14 UNI 5739 8G	
3	F0843570000	8	WASHER 6	
4	31411066	6	WASHER 6,6x18	
5	573A0226	1	COOLER SPONGY GASKET	
6	F0256809050	1	GASKET	
7	59079785	1	SUPPORT COVER	
8	58174608	2	SILENT-BLOCK	
9	F0843755000	4	WASHER 10	
10	F0814632000	2	NUT M10	
11	31112219	2	SCREW TE M10X25 UNI 5739	
12	573A0861	1	DUCT	138/09
13	59079626	1	FIXING BRACKET	
14	31152103	1	SCREW TCEI M10X25 UNI 5931	
15	56176691	1	FIXING BRACKET	
16	31112151	1	SCREW TE M8X25 UNI 5739 8G	
17	F0849206005	1	SILENT-BLOCK	
18	31211060	7	HEXAGONAL NUT M8	
19	55174632	1	SLEEVE	
20	55177639	1	SLEEVE	
21	58075873	1	VENT HOSE	
22	P405391000001	3	CLAMP	
23	F0817550100	1	CLAMP	
24	31121006	2	SCREW TBCEI M6X16 ISO 7380	
25	58093053	1	CUP	
26	F0824022000	3	SPECIAL GASKET D.8,4X12/1	
27	F0810510000	3	SPLIT PIN A2,0X20 UNI 1336	
28	580A0606	1	PIPE R6 (8x14) L=160	
29	58070875	1	VENT HOSE	
30	58170339	1	PIPE FITTING	
31	F0817505200	6	FAS.10-19 SE519W4(30021119)*mr	
32	F0256112009	1	PIPE	
33	580A1040	1	PIPE	138/09
34	P123298000000	1	CLAMP 16-25 SX9CW1	

SERIAL  
START  
**919021**

**RADIATORE**  
Hp 85

CODE REV  
**A.03.05.L60008\_4**

# RADIATORE



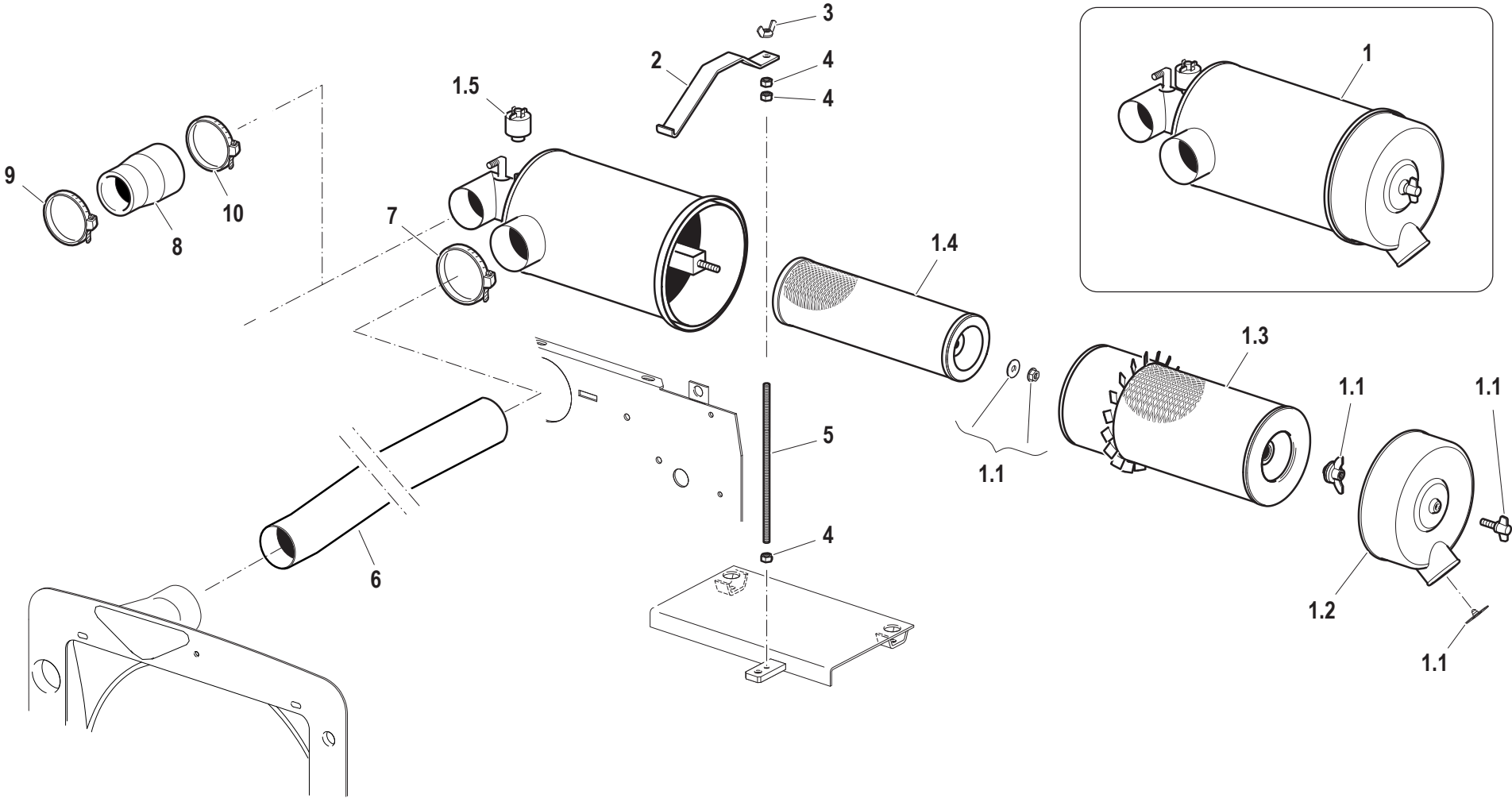
Pos.	Code	Q.ty	Description	Notes
35	P405339000000	1	CLAMP	138/09
36	590A0389	1	SUPPORT	
37	F0814545000	2	NUT M6	
39	590A0851	1	BRACKET	
40	31111151	2	SCREW TE M8X16 UNI 5739 8G	
41	F0843643060	2	WASHER 8	
42	31211080	2	NUT M8	

SERIAL  
START  
**919021**

**RADIATORE**  
Hp 85

CODE REV  
**A.03.05.L60008\_4**

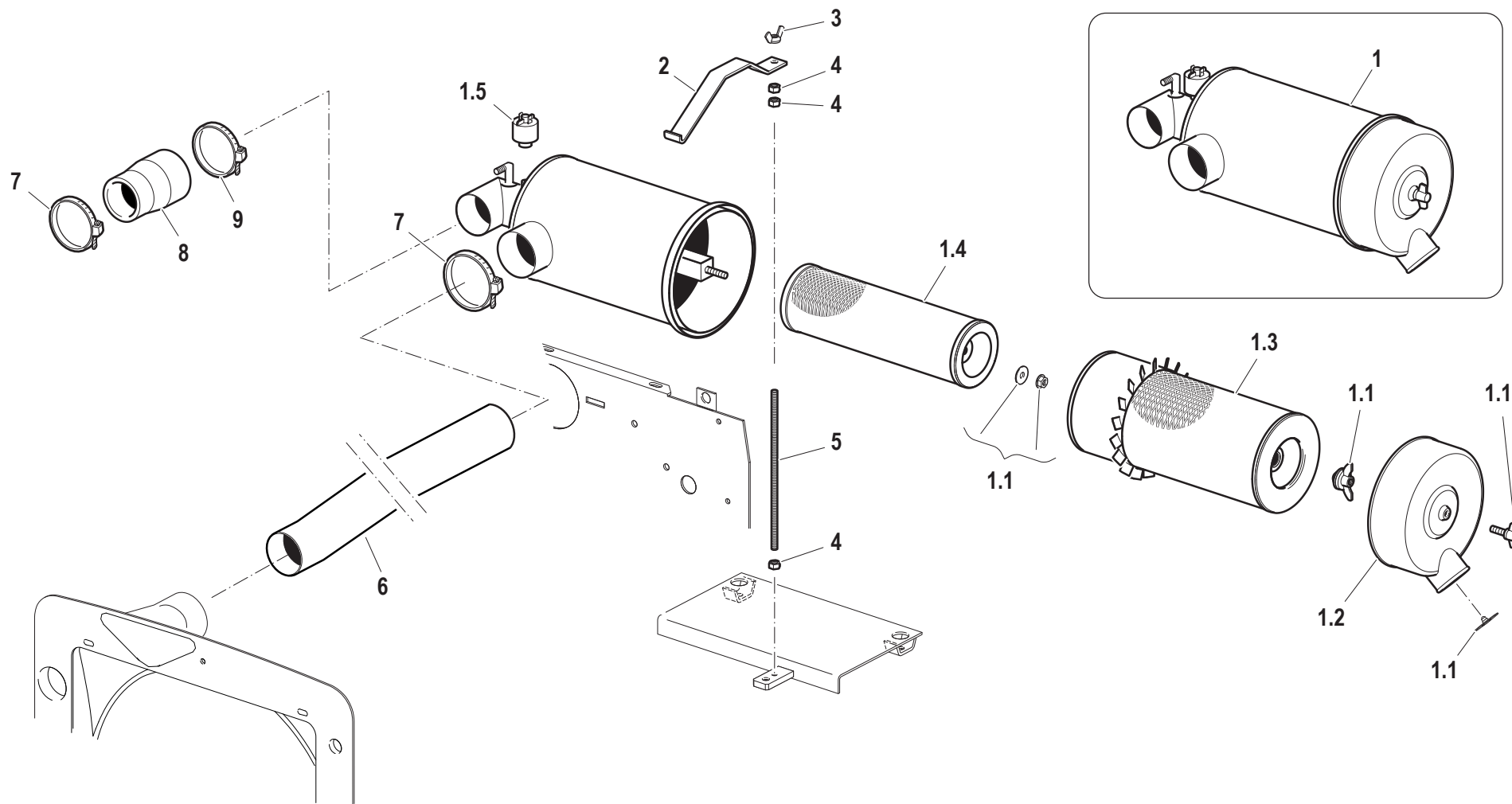
FILTRO ARIA



Pos.	Code	Q.ty	Description	Notes
1	58176755	1	AIR FILTER	
2	56174636	1	FIXING BRACKET	
3	31200501	1	NUT M8	
4	31211080	3	NUT M8	
5	56174635	1	ROD	
6	58076753	1	SUCTION PIPE	
7	F0817501200	1	CLAMP 077,0-706R	
8	58076750	1	SLEEVE	
9	F0817500800	1	CLAMP 062,0-706R	
10	F0817500900	1	CLAMP 069,5-706R	
1.1	59900353	1	KIT	
1.2	59900347	1	COVER	
1.3	58171028	1	CARTOUCHE	
1.4	58171027	1	CARTOUCHE	
1.5	58175122	1	DIGITAL INSTRUMENT	



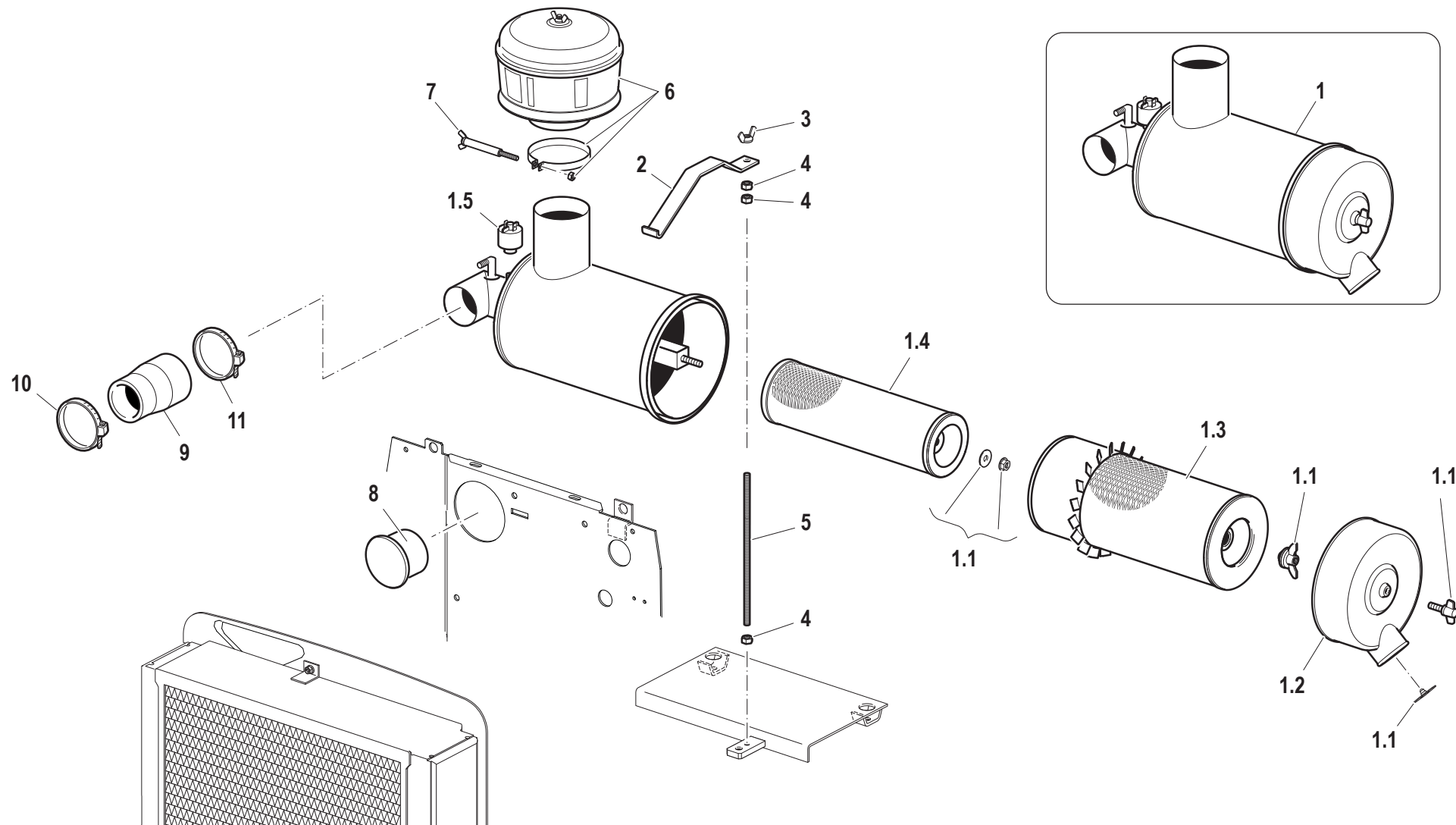
FILTRO ARIA



Pos.	Code	Q.ty	Description	Notes
1	58176755	1	AIR FILTER	
2	56174636	1	FIXING BRACKET	
3	31200501	1	NUT M8	
4	31211080	3	NUT M8	
5	56174635	1	ROD	
6	58076753	1	SUCTION PIPE	
7	P493188000000	1	CLAMP	
8	58079781	1	SLEEVE	
9	P453727000000	1	CLAMP	
1.1	59900353	1	KIT	
1.2	59900347	1	COVER	
1.3	58171028	1	CARTOUCHE	
1.4	58171027	1	CARTOUCHE	
1.5	58175122	1	DIGITAL INSTRUMENT	

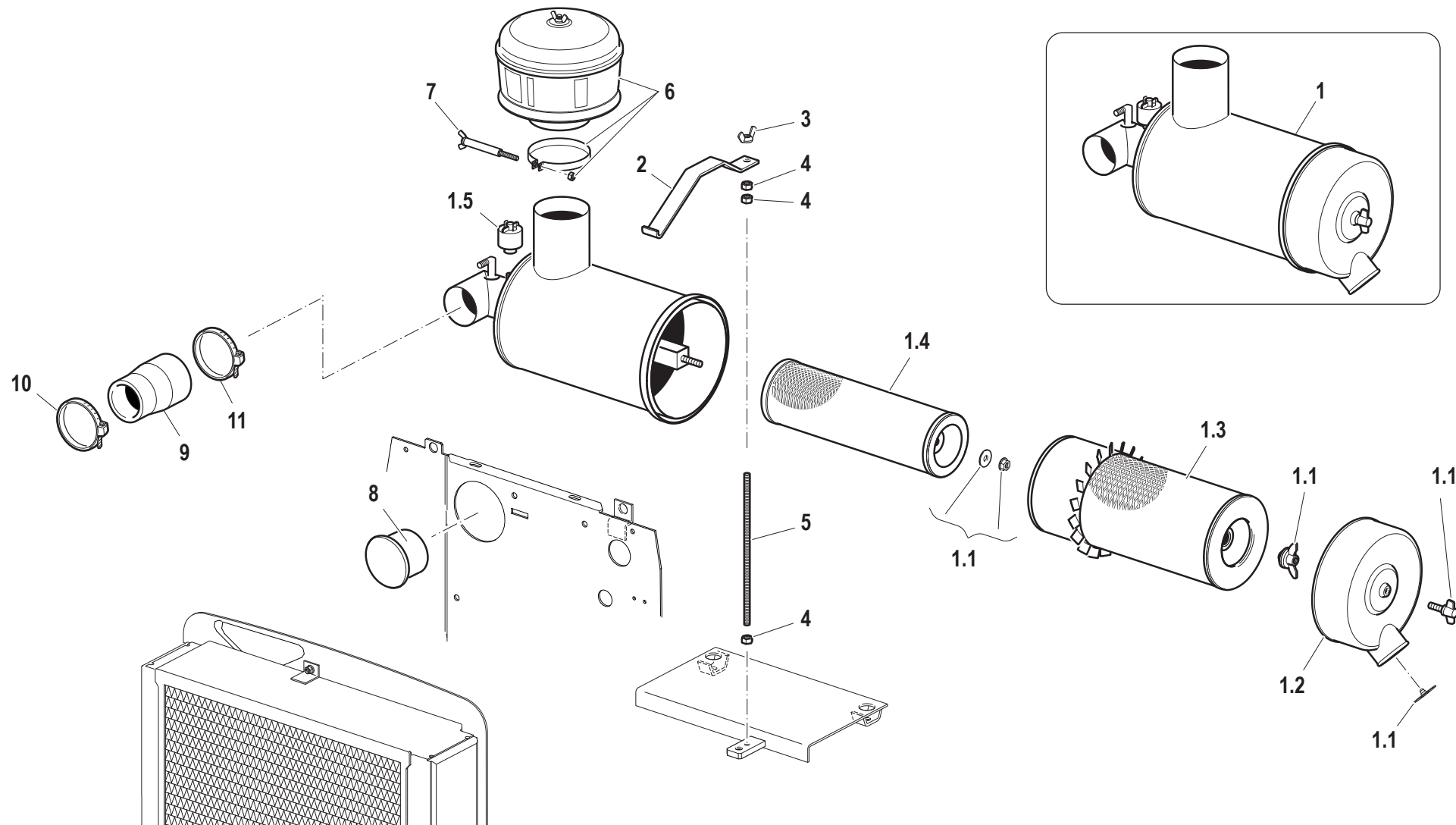
Pos.	Code	Q.ty	Description	Notes
9	30021170	1	CLAMP 50-70 SX9CW1050070	
7	30021180	2	CLAMP 60-80 SX9CW1060080	
3	31200501	1	NUT M8	
4	31211080	3	NUT M8	
5	56174635	1	ROD	
2	56179619	1	FIXING BRACKET	
6	58079631	1	SUCTION PIPE	
8	58079659	1	SLEEVE	
1,4	58171027	1	CARTOUCHE	
1,3	58171028	1	CARTOUCHE	
1,5	58175122	1	DIGITAL INSTRUMENT	
1	58179618	1	FILTER	
1,2	59900347	1	COVER	
1,1	59900353	1	KIT	

# FILTRO ARIA CON PRESA ARIA ESTERNA

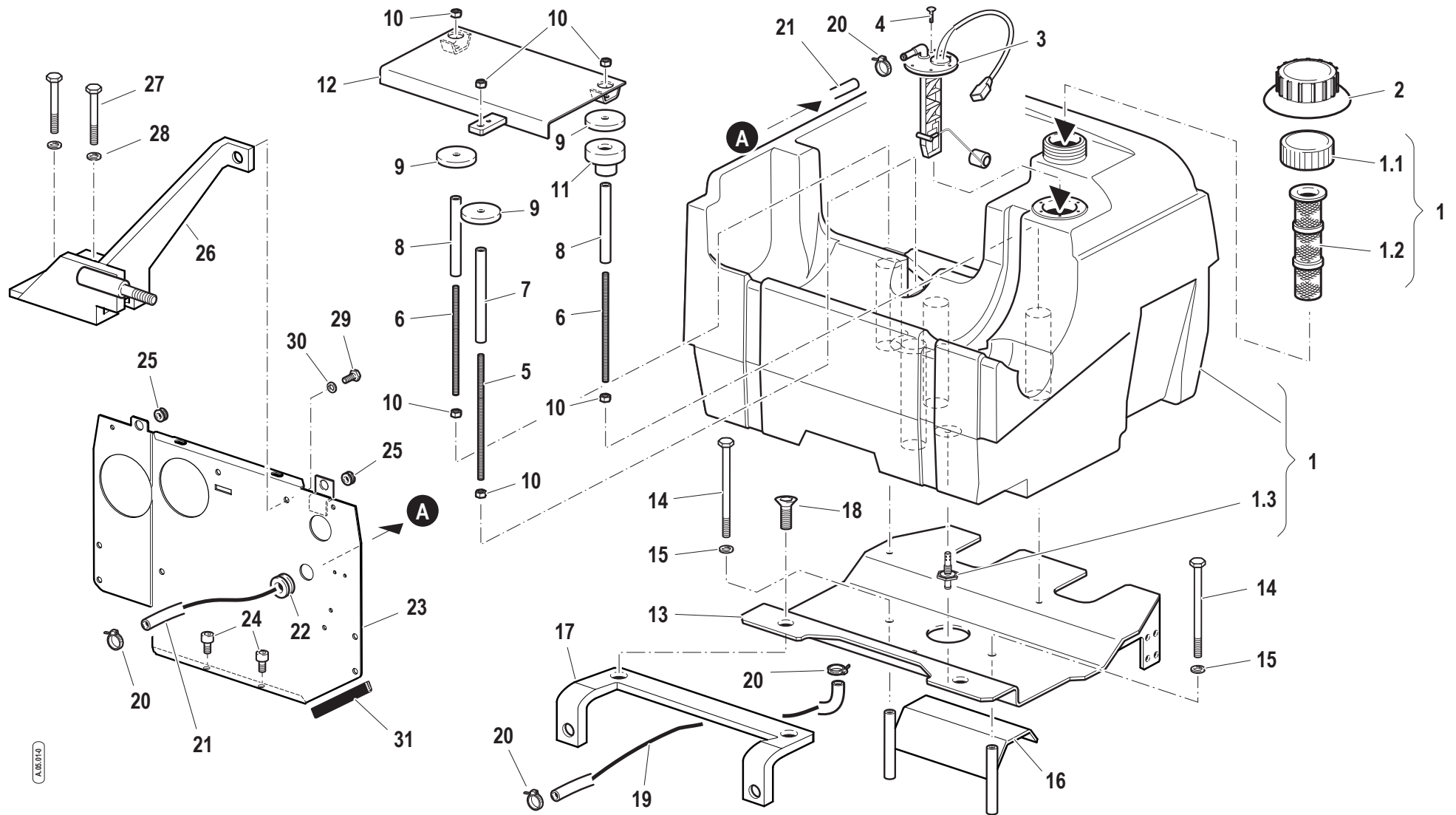


Pos.	Code	Q.ty	Description	Notes
1	58176898	1	AIR FILTER	
2	56174636	1	FIXING BRACKET	
3	31200501	1	NUT M8	
4	31211080	3	NUT M8	
5	56174635	1	ROD	
6	58171069	1	PRECLEANER	
7	59073184	1	SCREW	
8	57377317	1	PLUG	
9	58076750	1	SLEEVE	
10	F0817500800	1	CLAMP 062,0-706R	
11	F0817500900	1	CLAMP 069,5-706R	
1.1	59900353	1	KIT	
1.2	59900347	1	COVER	
1.3	58171028	1	CARTOUCHE	
1.4	58171027	1	CARTOUCHE	
1.5	58175122	1	DIGITAL INSTRUMENT	

# FILTRO ARIA CON PRESA ARIA ESTERNA



Pos.	Code	Q.ty	Description	Notes
1	58176898	1	AIR FILTER	
2	56174636	1	FIXING BRACKET	
3	31200501	1	NUT M8	
4	31211080	3	NUT M8	
5	56174635	1	ROD	
6	58171069	1	PRECLEANER	
7	59073184	1	SCREW	
8	57377317	1	PLUG	
9	58079781	1	SLEEVE	
10	P493188000000	1	CLAMP	
11	P453727000000	1	CLAMP	
1.1	59900353	1	KIT	
1.2	59900347	1	COVER	
1.3	58171028	1	CARTOUCHE	
1.4	58171027	1	CARTOUCHE	
1.5	58175122	1	DIGITAL INSTRUMENT	





Pos.	Code	Q.ty	Description	Notes
1	55276745	1	TANK	
2	57371900	1	LINING	
3	58170238	1	CONTROL	
4	F0861867050	6	SCREW M4,2X19 DIN 7981	
5	56174635	1	ROD	
6	56077608	2	ROD	
7	56176716	1	SPACER	
8	56176696	2	SPACER D.14x9/155,5	
9	56176814	3	SPACER D.55x8/4	
10	31211080	6	NUT M8	
11	58076752	3	STOPPER	
12	59076685	1	BATTERY SUPPORT	
13	59077933	1	SUPPORT	
14	31111218	2	SCREW TE M10X140 UNI 5737 8G	
15	F0843755000	2	WASHER 10	
16	59076870	1	COVER	
17	59077935	1	FIXING BRACKET	
18	F0862481000	2	SCREW M8x16 UNI 5933	
19	58070690	1	PIPE	
20	F0817500200	4	CLAMP 015,7-706R	
21	58074895	1	PIPE	
22	58171901	1	CABLE GLAND 15,5-24-32-2	
23	59076679	1	DIVISION	
24	F0862464050	2	SCREW UNI 5931	
25	F0825414000	2	CABLE GLAND 7-15-18,5-2,5	
26	59076686	1	BRACKET	
27	31112096	2	SCREW TE M6X85 UNI 5737 8G	
28	F0843570000	2	WASHER 6	
29	31111151	1	SCREW TE M8X16 UNI 5739 8G	
30	F0843643060	1	WASHER 8	
31	F0256808000	1	FLAT BAND	
1.1	F0849500001	1	TANK COVER	
1.2	F0849500002	1	FILTER	
1.3	57174915	1	PIPE FITTING	

SERIAL

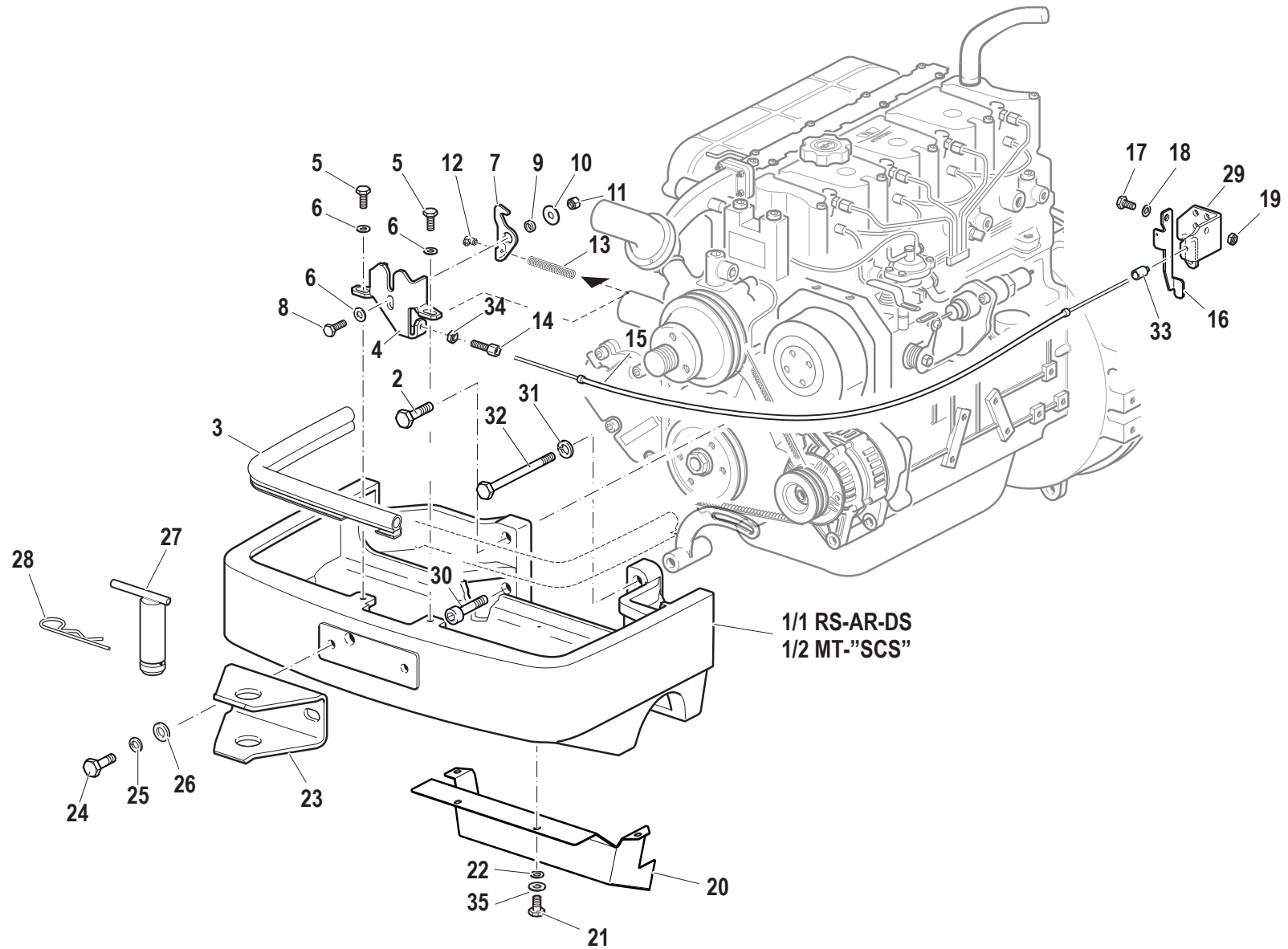
**SERBATOIO COMBUSTIBILE**

Hp 75

CODE REV

**A.05.01.L60007\_0**

# FRONT SUPPORT



Pos.	Code	Q.ty	Description	Notes
2	31111331	1	SCREW TE M14X50 UNI5739 8G	
3	58177274	1	HOOD SEAL	
4	56174657	1	FIXING BRACKET	
5	31112150	2	SCREW TE M8X20 UNI 5739 8G	
6	31411084	3	WASHER 8,4x17	
7	56174658	1	HOOD HOOK	
8	31112151	1	SCREW TE M8X25 UNI 5739 8G	
9	56174659	1	SPACER	
10	31411090	1	WASHER 9x24	
11	31241080	1	HEXAGON SELFLOCK NUT M8	
12	58048002	1	CLAMPING SCREW	
13	F0831065000	1	SPRING	
14	56177656	1	REGISTER	
15	58074831	1	CABLE	
16	56177643	1	LEVER	
17	31111151	1	SCREW TE M8X16 UNI 5739 8G	
18	F0843643060	1	WASHER 8	
19	F0814569000	1	NUT	
20	59076756	1	SHIELD	
21	31112082	4	SCREW TE M6X12 UNI 5739 8G	
22	F0843570000	4	WASHER 6	
23	56174873	1	TOW HOOK	
24	31112328	2	SCREW TE M14X35 UNI 5739	
25	F0843921030	2	WASHER 14	
26	31411150	2	WASHER 15x28	
27	59075283	1	PIN	
28	F0851497000	1	SPLIT PIN	
29	56174661	1	BRACKET	
30	F0864290010	2	SCREW M14X50 UNI 5931	
31	31421251	1	WASHER	
32	F0864335020	1	SCREW M14X120 UNI 5737	
33	56170491	1	STOP	
34	31231080	1	NUT M8	
35	31411064	4	WASHER 6,4x12,5	

SERIAL  
END

**916940**

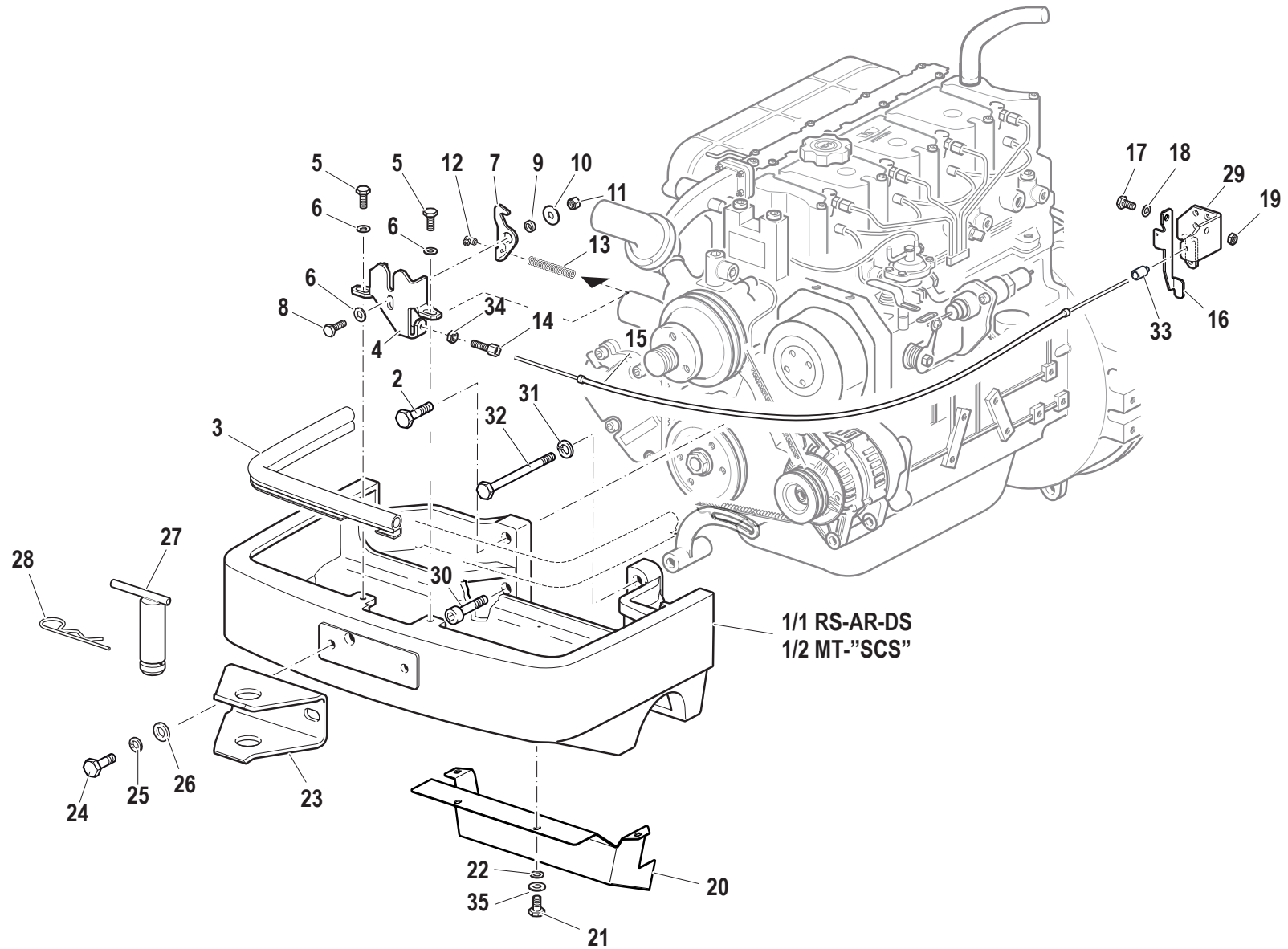
**FRONT SUPPORT**

Hp 75

CODE REV

**B.01.01.L60007\_0**

# FRONT SUPPORT



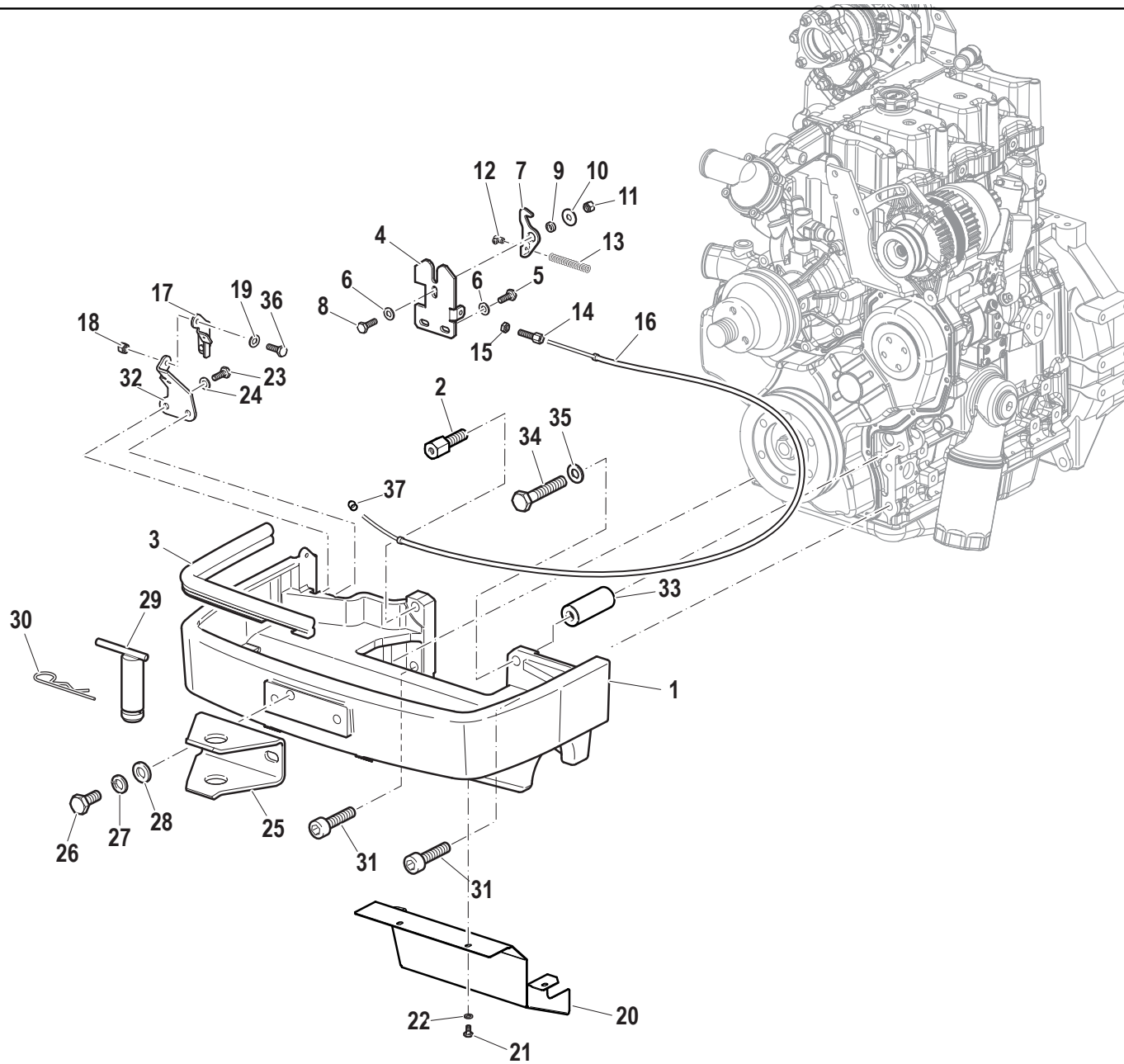
Pos.	Code	Q.ty	Description	Notes
1/1	51176714	1	FRONT SUPPORT	
1/2	51179421	1	FRONT SUPPORT	

SERIAL  
END  
**916940**

**FRONT SUPPORT**  
Hp 75

CODE REV  
**B.01.01.L60007\_0**

FRONT SUPPORT



Pos.	Code	Q.ty	Description	Notes
1	51179548	1	FRONT SUPPORT	
2	563A0264	1	SMALL COLUMN	
3	28177274	1	GASCKET RIF.182400153.945	
4	56179625	1	FIXING BRACKET	
5	31112150	2	SCREW TE M8X20 UNI 5739 8G	
6	31411084	3	WASHER 8,4x17	
7	56174658	1	HOOD HOOK	
8	31112151	1	SCREW TE M8X25 UNI 5739 8G	
9	56174659	1	SPACER	
10	31411090	1	WASHER 9x24	
11	31241080	1	HEXAGON SELFLOCK NUT M8	
12	58048002	1	CLAMPING SCREW	
13	F0831065000	1	SPRING	
14	56177656	1	REGISTER	
15	31231080	1	NUT M8	
16	58074831	1	CABLE	
17	561A0642	1	LEVER	
18	F0814547000	1	SELFLOCK NUT M6	
19	31411064	2	WASHER 6,4x12,5	
20	59079617	1	COVER	
21	31112082	4	SCREW TE M6X12 UNI 5739 8G	
22	F0843570000	4	WASHER 6	
23	31112148	2	SCREW TE M8X18 UNI 5739 8G	
24	F0843643060	2	WASHER 8	
25	56174873	1	TOW HOOK	
26	31112328	2	SCREW TE M14X35 UNI 5739	
27	F0843921030	2	WASHER 14	
28	31411150	2	WASHER 15x28	
29	59075283	1	PIN	
30	F0851497000	1	SPLIT PIN	
31	F0864290010	2	SCREW M14X50 UNI 5931	
32	561A0643	1	SUPPORT	
33	561A0297	1	SPACER	
34	F0864335020	1	SCREW M14X120 UNI 5737	

SERIAL

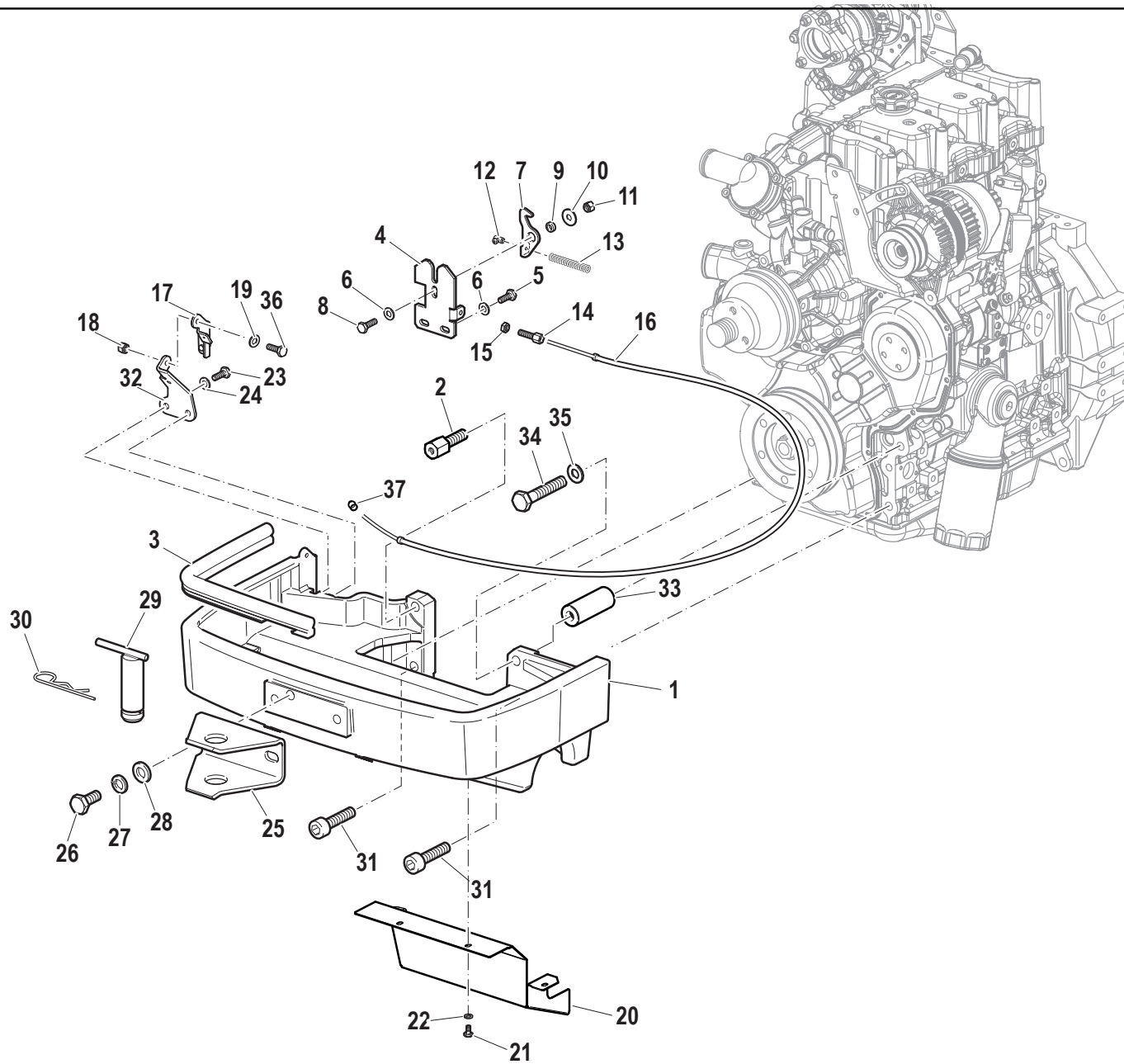
**FRONT SUPPORT**

Hp 75

CODE REV

**B.01.01.L60007\_1**

FRONT SUPPORT





<b>Pos.</b>	<b>Code</b>	<b>Q.ty</b>	<b>Description</b>	<b>Notes</b>
35	31421251	1	WASHER	
36	F0862129000	1	SCREW M6X18 UNI 5739 8.8	
37	58177811	1	CLUTCH	

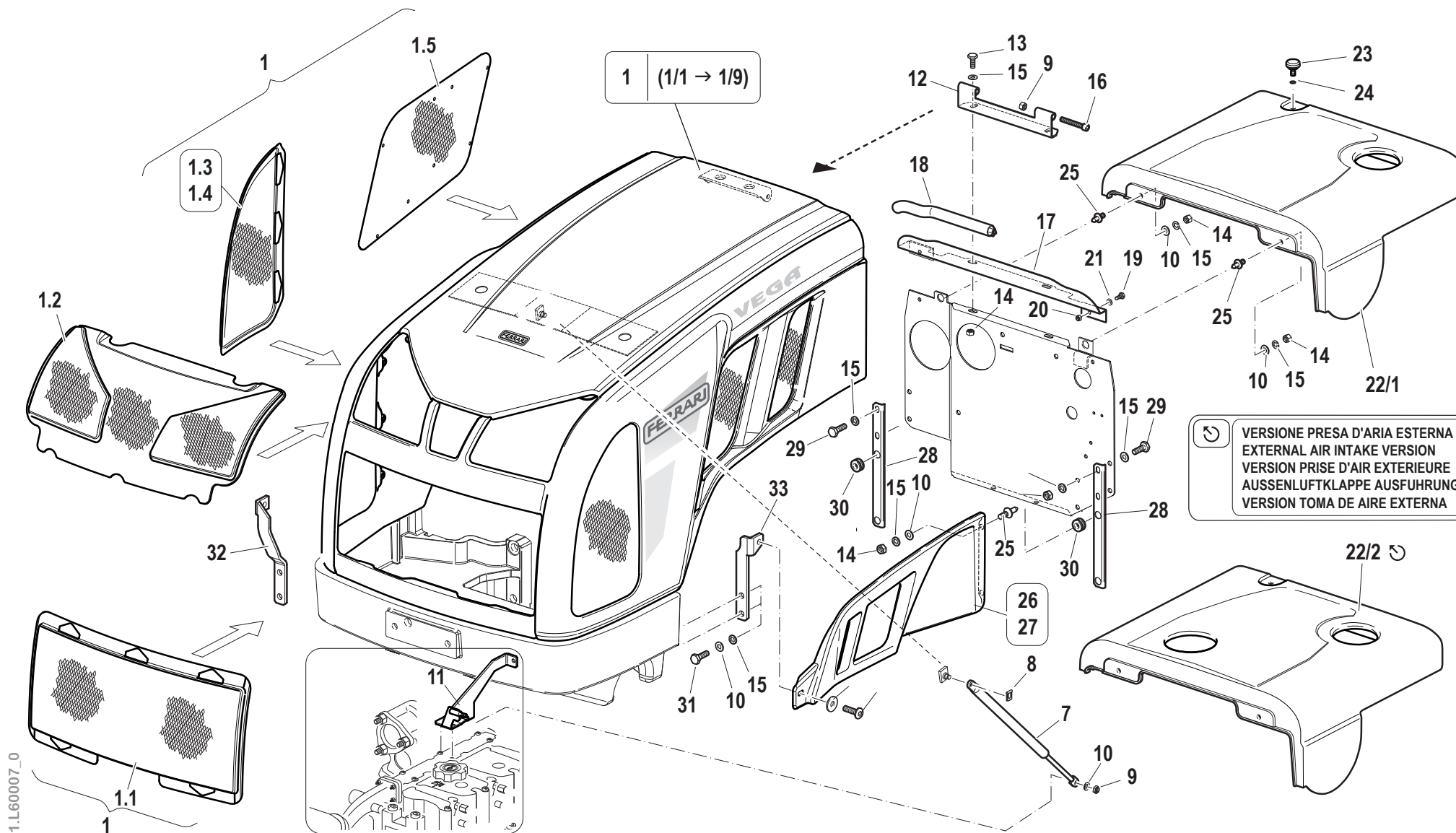
Pos.	Code	Q.ty	Description	Notes
3	28177274	1	GASCKET RIF.182400153.945	
2	31111331	1	SCREW TE M14X50 UNI5739 8G	
22	31112082	3	SCREW TE M6X12 UNI 5739 8G	
24	31112092	1	SCREW TE M6X35 UNI 5739 8G	
5	31112150	2	SCREW TE M8X20 UNI 5739 8G	
8	31112151	2	SCREW TE M8X25 UNI 5739 8G	
27	31112328	2	SCREW TE M14X35 UNI 5739	
15	31231080	1	NUT M8	
11	31241080	1	HEXAGON SELFLOCK NUT M8	
6	31411084	3	WASHER 8,4x17	
10	31411090	2	WASHER 9x24	
29	31411150	2	WASHER 15x28	
31	31421251	1	WASHER	
7	56174658	1	HOOD HOOK	
9	56174659	2	SPACER	
26	56174873	1	TOW HOOK	
14	56177656	1	REGISTER	
4	56179625	1	FIXING BRACKET	
17	561A2425	1	REAZIONE SGANCIO COFANO 75-95	
12	58048002	1	CLAMPING SCREW	
16	58074831	1	CABLE	
33	59075283	1	PIN	
21	590A3014	1	COVER	
1	511A2422N	1	FRONT SUPPORT 75-95(A2422) -BLACK-	
20	561A2424N	1	LEVER	
13	F0831065000	1	SPRING	
19	F0843561000	2	WASHER 5	
23	F0843570000	4	WASHER 6	
25	F0843643060	1	WASHER 8	
28	F0843921030	2	WASHER 14	
34	F0851497000	1	SPLIT PIN	
18	F0861934060	2	SCREW M5X16 UNI 5739	
32	F0864290010	2	SCREW M14X50 UNI 5931	
30	F0864335020	1	SCREW M14X120 UNI 5737	

SERIAL

**FRONT SUPPORT**

CODE REV

**B.01.02.L60002\_2**



VERSIONE PRESA D'ARIA ESTERNA  
 EXTERNAL AIR INTAKE VERSION  
 VERSION PRISE D'AIR EXTERIEURE  
 AUSSENLUFTKLAPPE AUSFUHRUNG  
 VERSION TOMA DE AIRE EXTERNA

B.02.01.L60007\_0

Pos.	Code	Q.ty	Description	Notes
7	58092972	1	SPRING	
8	58170436	1	CLIP	
9	31241081	3	HEXAGON SELFLOCK NUT	
10	31411084	1	WASHER 8,4x17	
11	59076686	1	BRACKET	
12	56179549	1	PROTECTIVE YOKE	
13	31112150	2	SCREW TE M8X20 UNI 5739 8G	
14	31211080	6	NUT M8	
15	F0843643060	6	WASHER 8	
16	31152088	2	SCREW TCEI M8X55 UNI 5931	
17	56174656	1	HOLDING	
18	58177274	1	HOOD SEAL	
19	31111091	2	SCREW E M6X14 UNI 5739 8G	
20	31211060	2	HEXAGONAL NUT M8	
21	F0843570000	2	WASHER 6	
23	56174835	1	KNOB	
24	35211060	1	SEEGER RING	
25	59074662	2	PIN	
26	58076984V	1	FIANCHETTO DX VERDE 75-95 **	
27	58076987V	1	FIANCHETTO SX VERDE 75-95 **	
28	56176895	2	BRACKET	
29	31112149	4	SCREW TE M8X12 UNI 5739 8G	
30	F0825414000	2	CABLE GLAND 7-15-18,5-2,5	
31	31111151	2	SCREW TE M8X16 UNI 5739 8G	
32	56176692	1	BRACKET	
33	56176693	1	BRACKET	
1.1	56076927	1	FRONT GRILL	
1.2	56076931	1	FRONT GRILL	
1.3	56076928	1	FRONT GRILL	
1.4	56076929	1	FRONT GRILL	
1.5	56076930	5	GRILLE	
1/1	59900897	1	COMPLETE HOOD	
1/2	59900898	1	COMPLETE HOOD	
1/3	59900899	1	COMPLETE HOOD	

SERIAL  
END

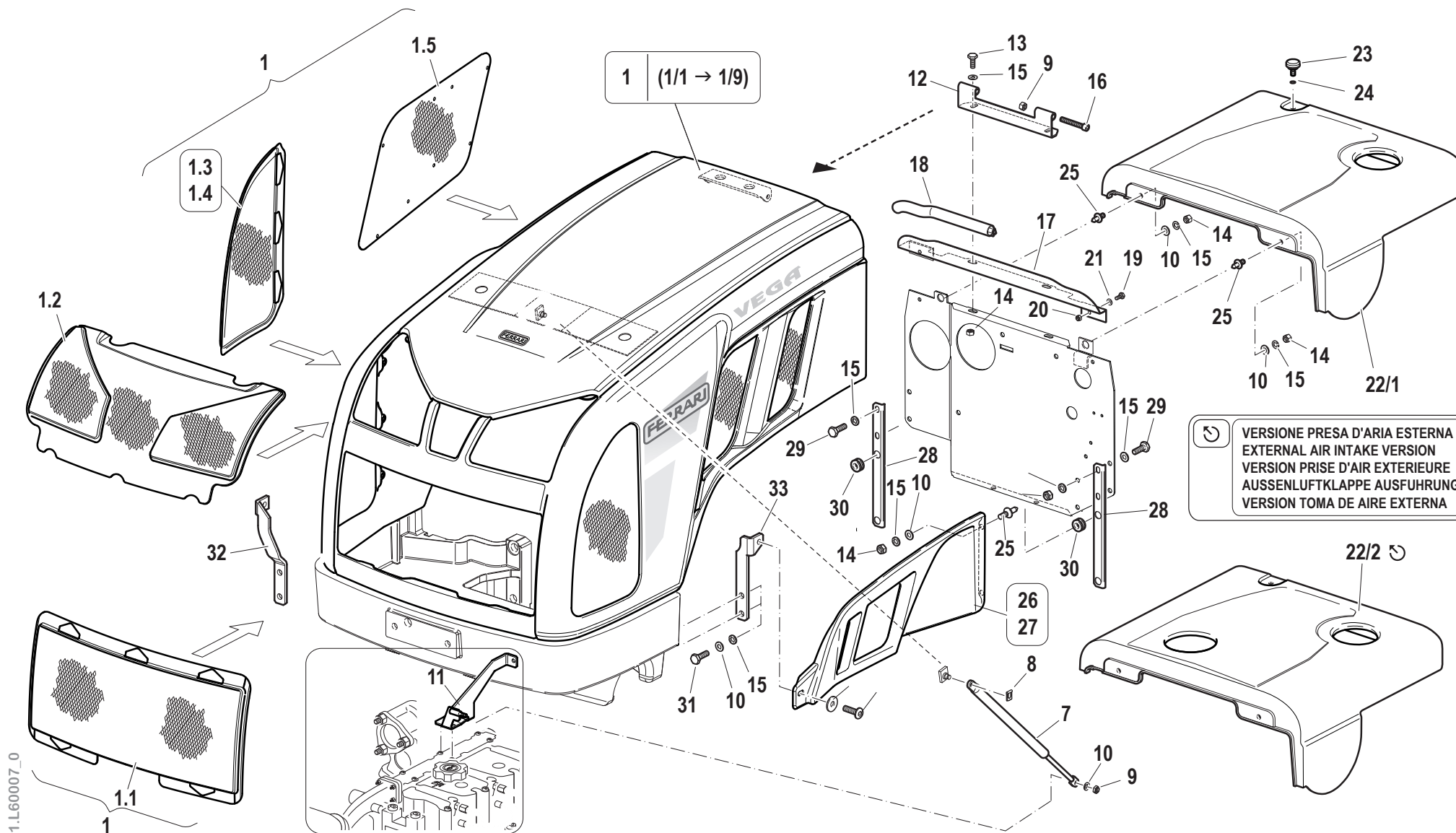
**916940**


**BONNET (VEGA)**

Hp 75

CODE REV

**B.02.01.L60007\_0**




 VERSIONE PRESA D'ARIA ESTERNA  
 EXTERNAL AIR INTAKE VERSION  
 VERSION PRISE D'AIR EXTERIEURE  
 AUSSENLUFTKLAPPE AUSFUHRUNG  
 VERSION TOMA DE AIRE EXTERNA

B.02.01.L60007\_0

Pos.	Code	Q.ty	Description	Notes
1/4	59900900	1	COMPLETE HOOD	
1/5	59900901	1	COMPLETE HOOD	
1/6	59900902	1	COMPLETE HOOD	
1/7	59900903	1	COMPLETE HOOD	
1/8	59900904	1	COMPLETE HOOD	
1/9	59900905	1	COMPLETE HOOD	
22/1	57376670	1	COVER	
22/2	57376899	1	COVER	

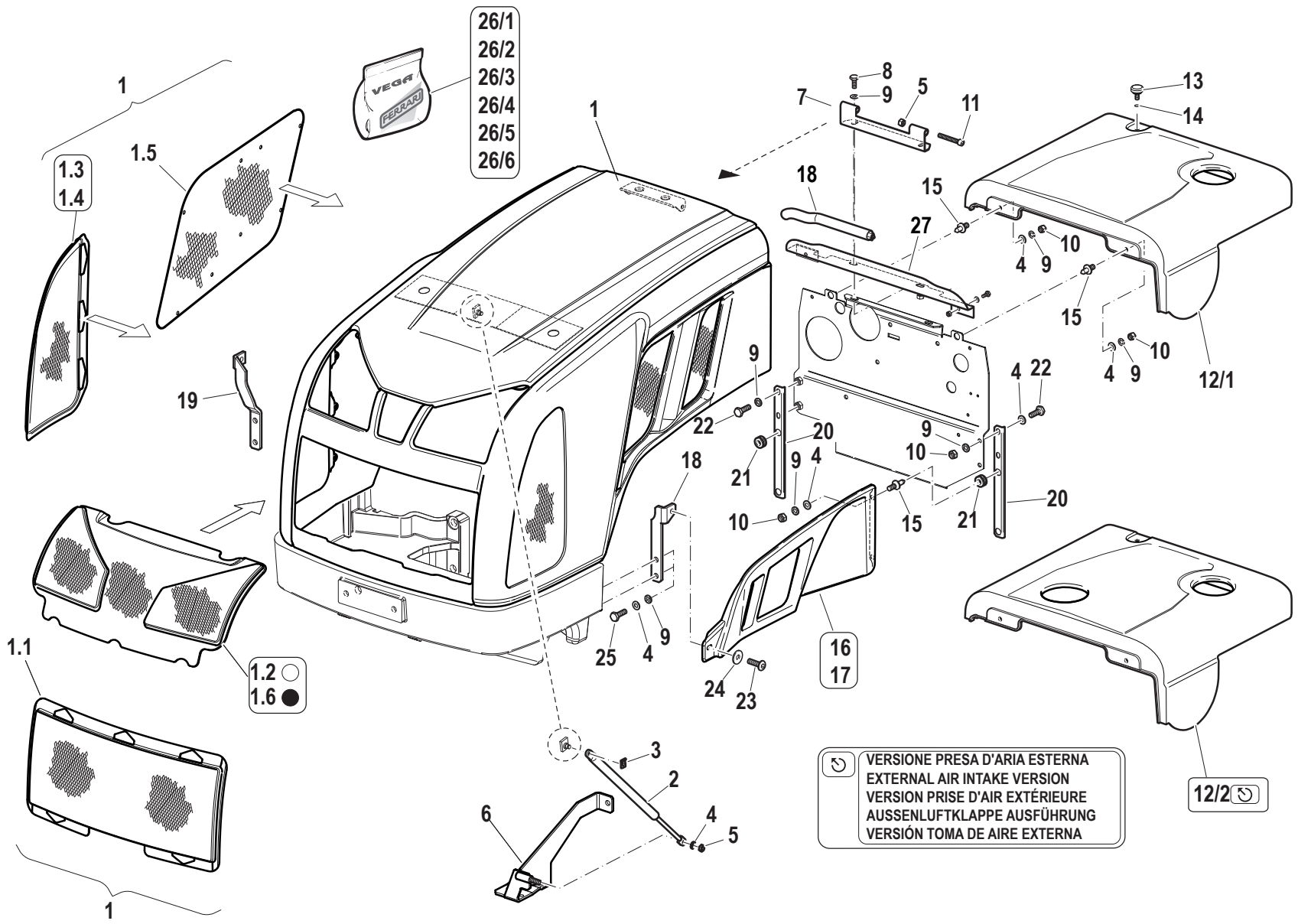
SERIAL  
END  
**916940**

**BONNET (VEGA)**

Hp 75

CODE REV

**B.02.01.L60007\_0**



B.02.01.L60008\_1

Pos.	Code	Q.ty	Description	Notes
1	590A1439V	1	COF.FERR. VEGA 85-95 VERDE **	
2	58092972	1	SPRING	
3	58170436	1	CLIP	
4	31411084	13	WASHER 8,4x17	
5	F0814585000	3	SELFLOCK NUT	
6	59076686	1	BRACKET	
7	56179549	1	PROTECTIVE YOKE	
8	31112150	2	SCREW TE M8X20 UNI 5739 8G	
9	F0843643060	6	WASHER 8	
10	31211080	6	NUT M8	
11	31152088	2	SCREW TCEI M8X55 UNI 5931	
13	56174835	1	KNOB	
14	35211060	1	SEEGER RING	
15	59074662	6	PIN	
16	58076984V	1	FIANCHETTO DX VERDE 75-95 **	
17	58076987V	1	FIANCHETTO SX VERDE 75-95 **	
18	56176693	1	BRACKET	
19	56176692	1	BRACKET	
20	56176895	2	BRACKET	
21	F0825414000	4	CABLE GLAND 7-15-18,5-2,5	
22	31112149	4	SCREW TE M8X12 UNI 5739 8G	
23	F0862479020	1	SCREW M8X16 7380	
24	31411090	1	WASHER 9x24	
25	31111151	2	SCREW TE M8X16 UNI 5739 8G	
27	56174656	1	HOLDING	
1.1	56076927N	1	GRIGL.FRON. VEGA/VOLCAN (NERA)	
1.2	56076931H	1	GRIGL.FRONT.SUP. VEGA (GRIGIA)	
1.3	56076928N	1	SIDE GRILL	
1.4	56076929N	1	SIDE GRILL	
1.5	56076930N	1	GRIG.PIANA SX-DX 75-95(NERA)	
1.6	56076931N	1	GRIGLIA FRONT.SUP. VEGA (NERA)	
12/1	573A1473V	1	COP.SERBAT(A1473)VERDE 6029 **	
12/2	573A1474V	1	COP.SERBAT(A1474)VERDE 6029 **	
26/1	59901402	1	KIT ADES COF VEGA/SDT 85 RS	

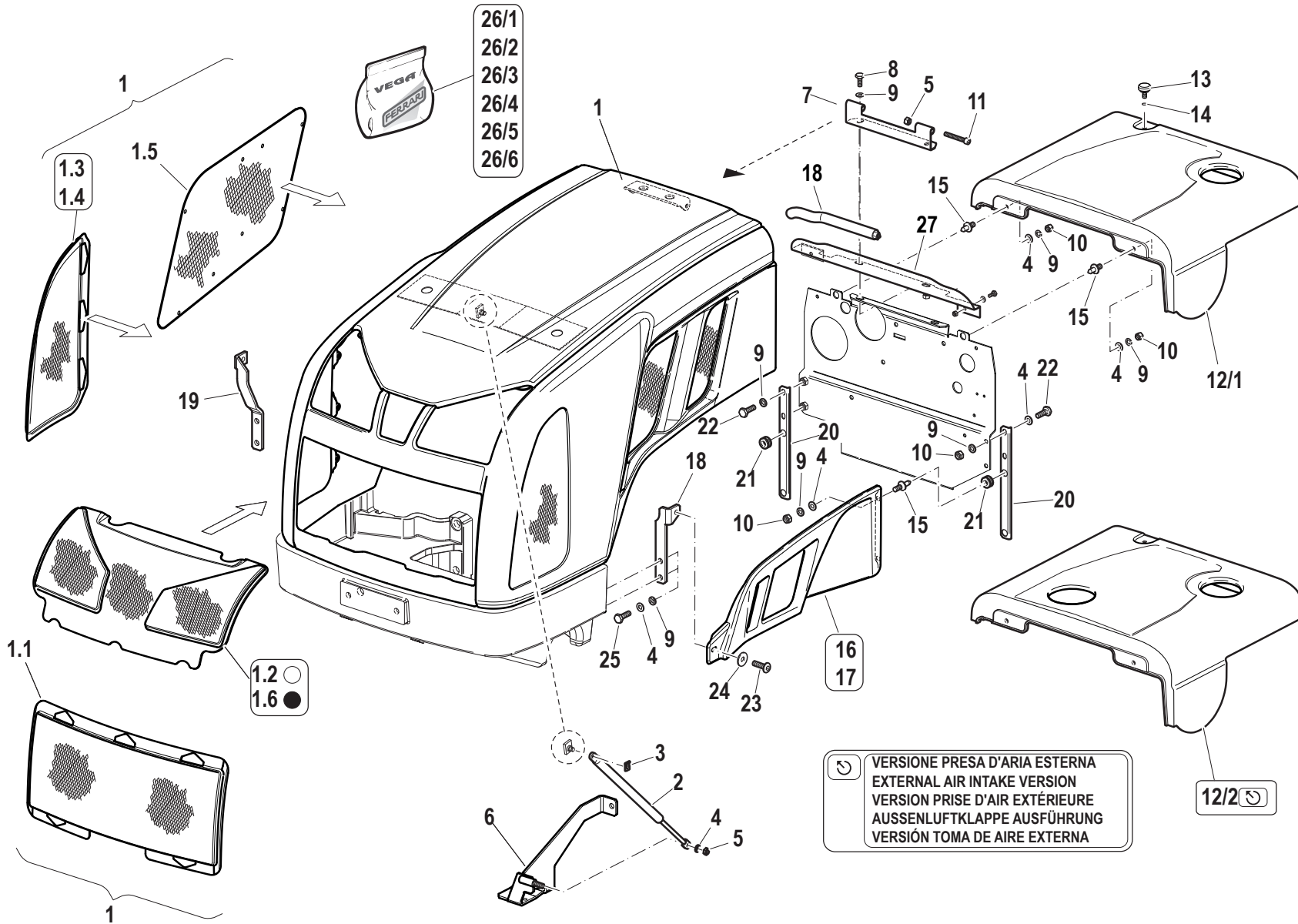
SERIAL  
START  
**916941**

**COFANO**

CODE REV

**B.02.01.L60008\_1**





B.02.01.L60008\_1

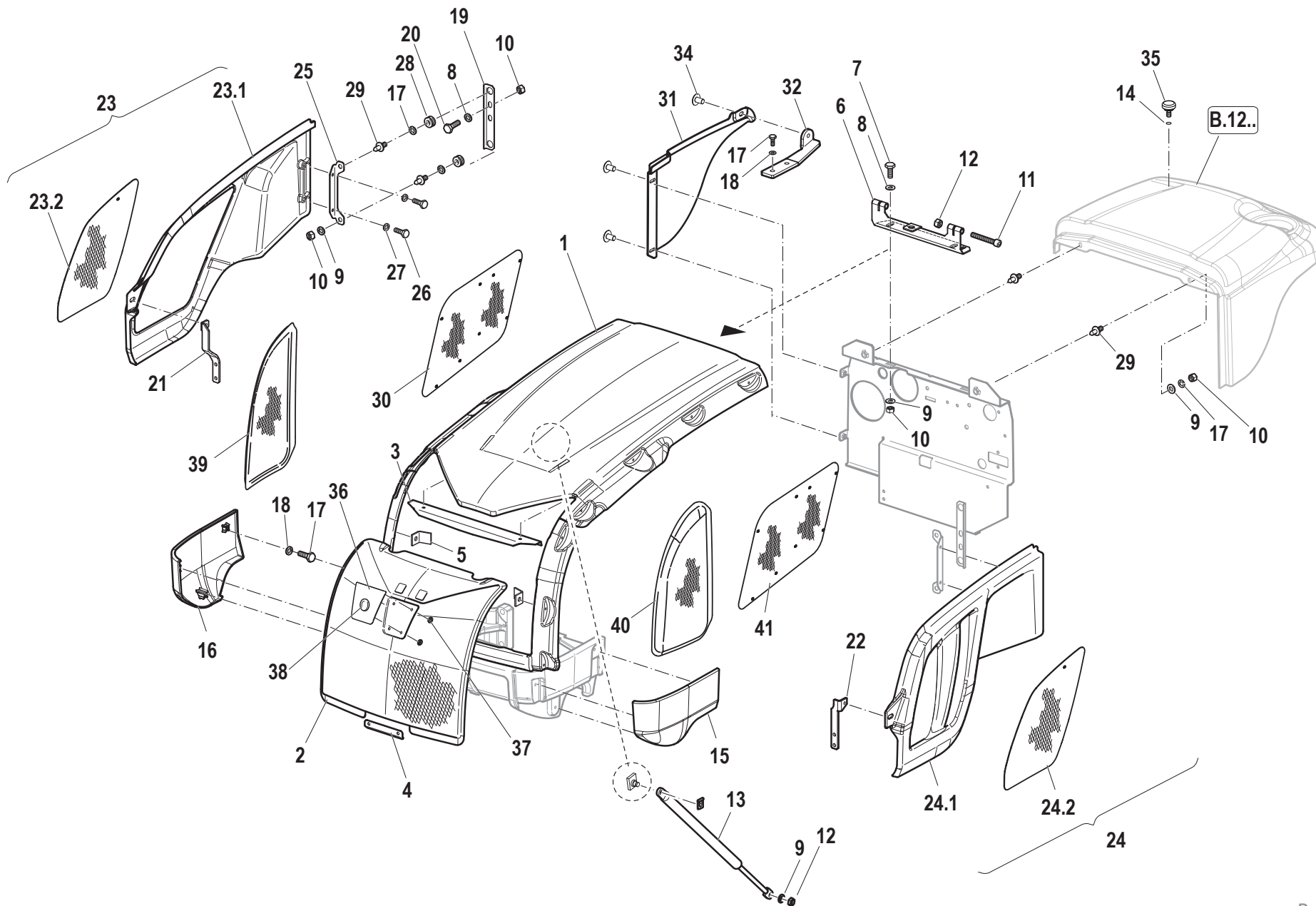
<b>Pos.</b>	<b>Code</b>	<b>Q.ty</b>	<b>Description</b>	<b>Notes</b>
26/2	59901403	1	KIT ADES COF VEGA/SDT 95 RS	
26/3	59901405	1	KIT ADES COFANO VEGA 85 AR	
26/4	59901406	1	KIT ADES COFANO VEGA 95 AR	
26/5	59901408	1	KIT ADES COF VEGA/SDT 85 DS	
26/6	59901409	1	KIT ADES COF VEGA/SDT 95 DS	

SERIAL  
START  
**916941**

**COFANO**

CODE REV  
**B.02.01.L60008\_1**

# BONNET (VEGA)



Pos.	Code	Q.ty	Description	Notes
20	31112149	4	SCREW TE M8X12 UNI 5739 8G	
7	31122802	2	SCREW TTQ M8X20 UNI 5731	
11	31152088	2	SCREW TCEI M8X55 UNI 5931	
10	31211080	6	NUT M8	
12	31241081	3	HEXAGON SELFLOCK NUT	
18	31411054	6	WASHER 5,3X15	
9	31411084	13	WASHER 8,4x17	
14	35211060	1	SEEGER RING	
24,1	552A2433	1	CAREN.LAT.SX GREZZA 75-95	
23,1	552A2437	1	CAREN.LAT.DX GREZZA 75-95	
4	56077362	1	BRACKET	
3	56077645	1	BRACKET	
35	56174835	1	KNOB	
22	56176693	1	BRACKET	
23,2	561A2434	1	GRIGL.LAT.DX-SX 75-95 CATAF.	
24,2	561A2434	1	GRIGL.LAT.DX-SX 75-95 CATAF.	
25	561A2435	2	BRACKET	
21	561A2439	1	BRACKET	
19	561A2440	2	REAR SUPPORT	
32	561A2506	1	BRACKET	
29	561A3068	4	PIN	
6	561A3315	1	BRACKET	
13	58092972	1	SPRING	
36	580A2974	1	SUPPORT	
38	580A3174	1	MOUSSE D.24/SP.1,5 BASE ADES.	
37	581A3048	4	RING	
15	552A2427V	1	CARENAT.ANT.SX 75-95 VERDE	
16	552A2430V	1	CARENAT.ANT.DX 75-95 VERDE	
39	56076928N	1	SIDE GRILL	
40	56076929N	1	SIDE GRILL	
41	56076930N	2	GRIG.PIANA SX-DX 75-95(NERA)	
5	56077393Z	6	PLATE	
2	560A2843N	1	FRONT GRILL	
30	573A2412V	1	COPERT.SERBAT(A2412)VERDE 6029	

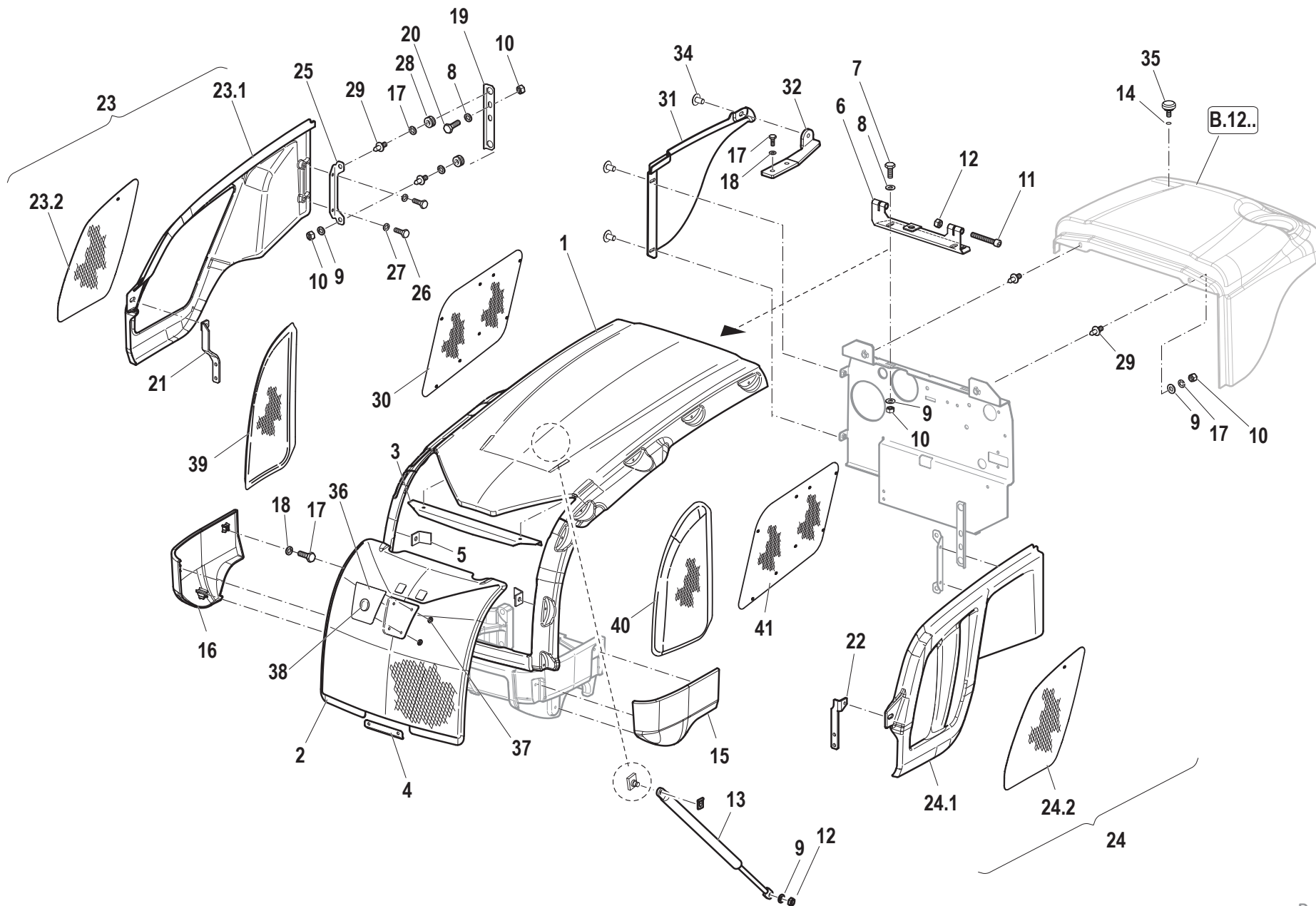
SERIAL

**BONNET (VEGA)**

CODE REV

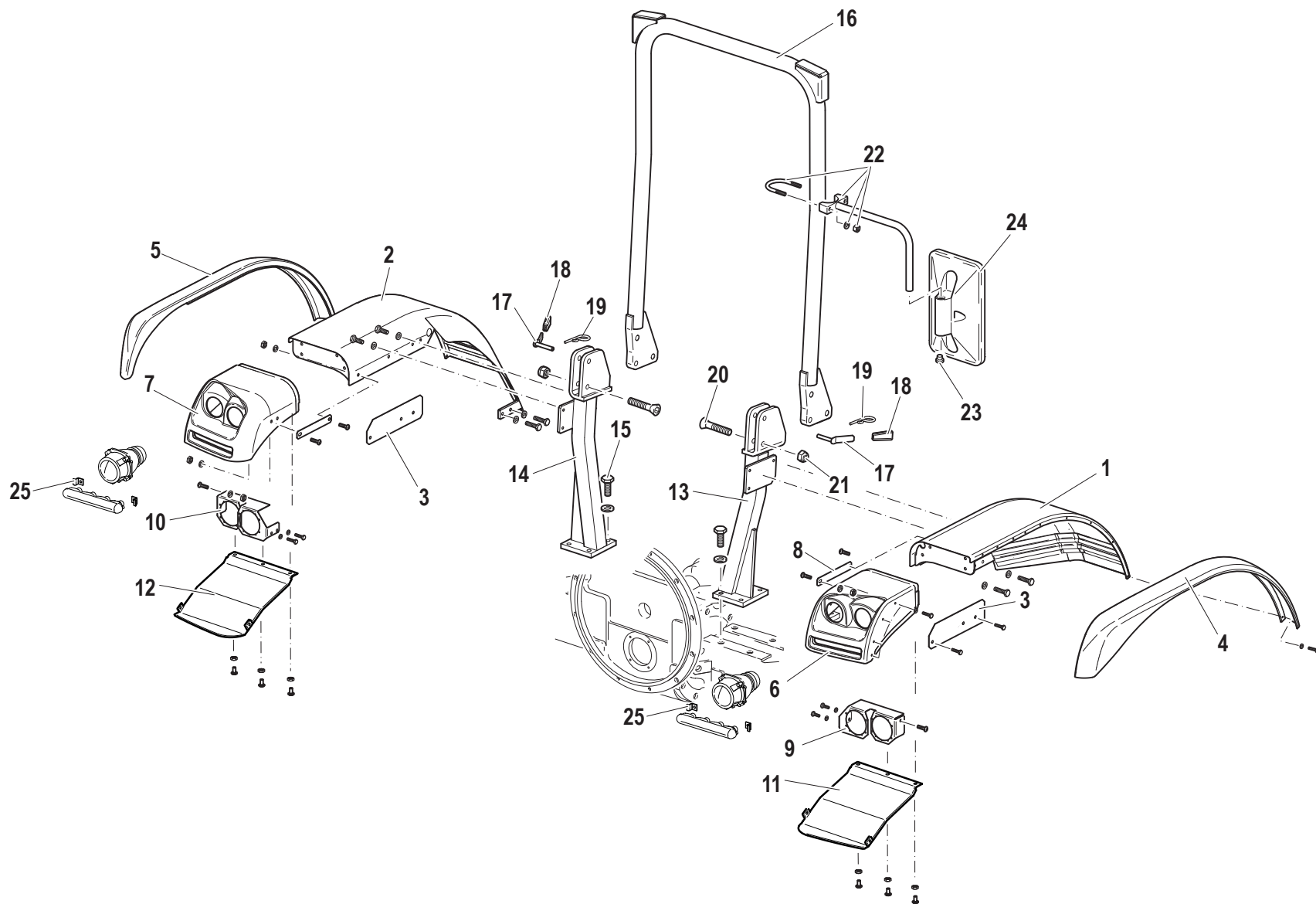
**B.02.01.L60008\_2**

# BONNET (VEGA)



Pos.	Code	Q.ty	Description	Notes
31	573A2502V	1	PARATIA DX(A2502)VERDE 6029	
24	590A2432V	1	FIANCHETTO SX COMP.VERDE 75-95	
23	590A2436V	1	FIANCHETTO DX COMP.VERDE 75-95	
1	590A2842V	1	COFANO VERDE RESTYLING 85-95	
28	F0825414000	4	CABLE GLAND 7-15-18,5-2,5	
27	F0843561000	4	WASHER 5	
8	F0843643060	6	WASHER 8	
26	F0861929060	4	SCREW M5X12 UNI 5739	
17	F0861934060	8	SCREW M5X16 UNI 5739	
34	F0861973100	3	SCREW M6X12 COMBI	

PARAFANGHI ANTERIORI (VEGA)

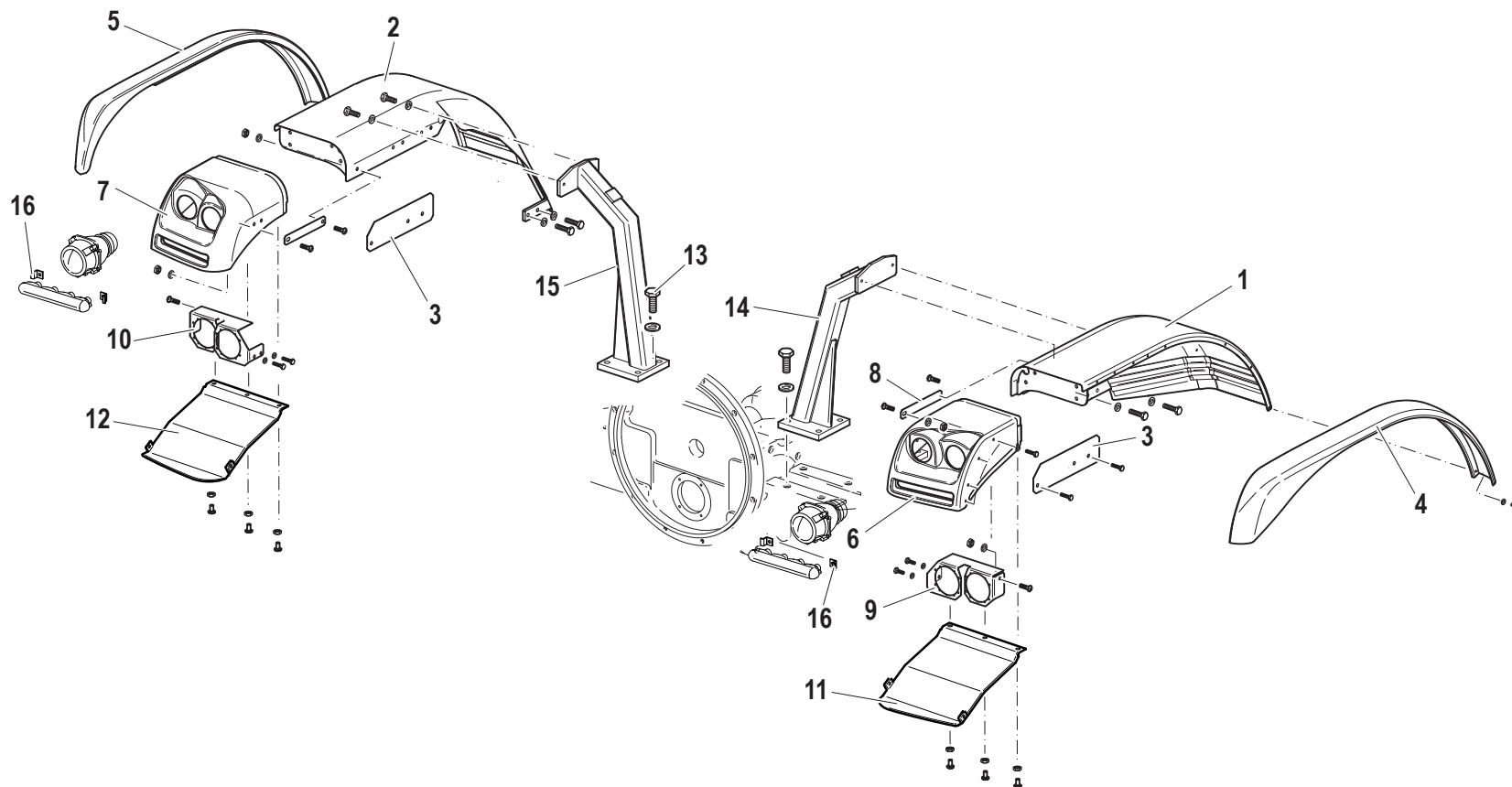


Pos.	Code	Q.ty	Description	Notes
1	59076649V	1	LEFT FRONT FENDER	
2	59076653V	1	RIGHT FRONT FENDER	
3	56177256	2	GUARD	
4	57376677	1	WING EXTENSION	
5	57376678	1	WING EXTENSION	
6	57376621	1	SUPPORT	
7	57376622	1	SUPPORT	
8	56177326	2	RETAINER	
9	56176896	1	SUPPORT	
10	56176897	1	SUPPORT	
11	56176906	1	COVER	
12	56176905	1	COVER	
13	59076615	1	SUPPORT	
14	59076613	1	SUPPORT	
15	31112264	8	SCREW TE M12X35 UNI 5739	
16	59077412	1	SAFETY ROLL BAR	
17	59076690	2	HINGE PIN	
18	P917280000000	2	GRIP	
19	P439149000000	2	SPLIT PIN	
20	F0864377000	2	SCREW M16X70 UNI 5737	
21	F0814794000	2	SELFLOCK NUT M16 CL.6	
22	59070591	1	SUPPORT	
23	58170968	1	PLUG	
24	30000514	1	REAR VIEW MIRROR	
25	56177045	4	RETAINER	

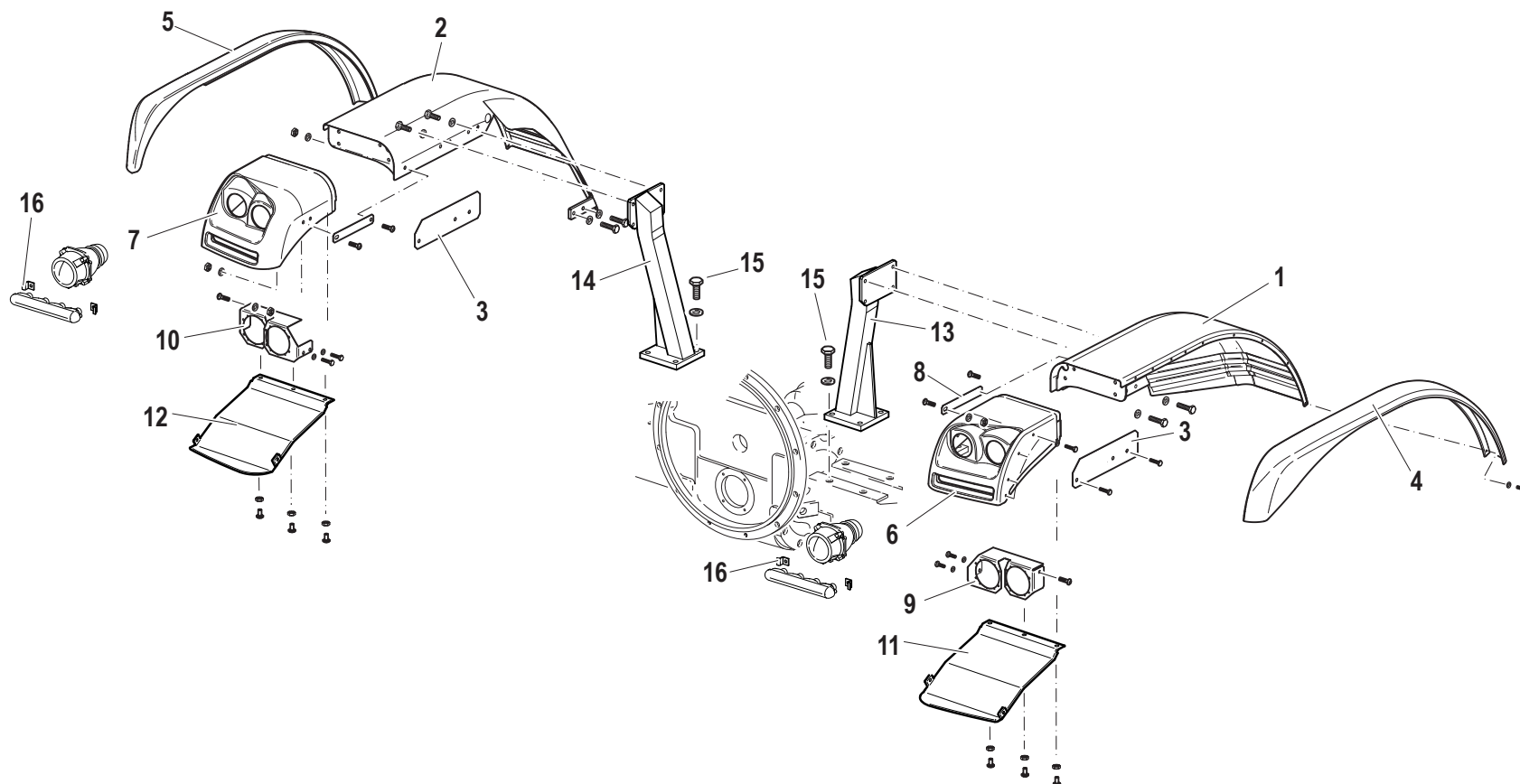


Pos.	Code	Q.ty	Description	Notes
24	30000514	1	REAR VIEW MIRROR	
15	31112264	8	SCREW TE M12X35 UNI 5739	
26	552A2924	1	COVER SX 75-95 0060.0651/A	
27	552A2925	1	COVER DX 75-95 0060.0652/A	
6	552A3073	1	SUPP.FARO ANT.SX 0060.0684	
7	552A3074	1	SUPP.FARO ANT.DX 0060.0685	
9	56176896	1	SUPPORT	
10	56176897	1	SUPPORT	
12	56176905	1	COVER	
11	56176906	1	COVER	
25	56177045	4	RETAINER	
3	56177256	2	GUARD	
8	56177326	2	RETAINER	
4	57376677	1	WING EXTENSION	
5	57376678	1	WING EXTENSION	
23	58170968	1	PLUG	
28	581A3048	8	RING	
22	59070591	1	SUPPORT	
14	59076613	1	SUPPORT	
13	59076615	1	SUPPORT	
17	59076690	2	HINGE PIN	
16	59077412	1	SAFETY ROLL BAR	
1	590A1970V	1	LEFT FRONT FENDER	
2	590A1971V	1	RIGHT FRONT FENDER	
21	F0814794000	2	SELFLOCK NUT M16 CL.6	
20	F0864377000	2	SCREW M16X70 UNI 5737	
19	P439149000000	2	SPLIT PIN	
18	P917280000000	2	GRIP	

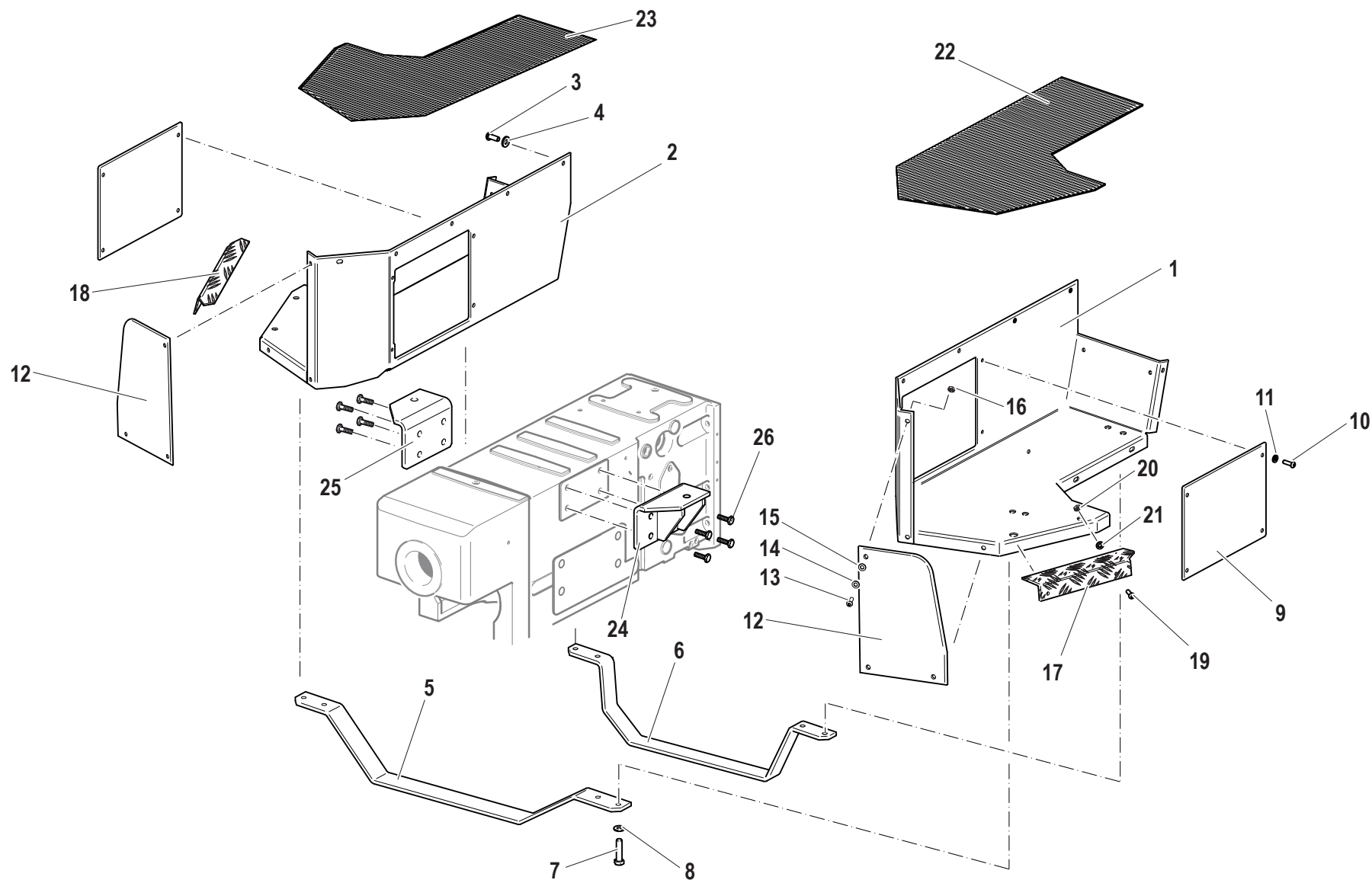
PARAFANGHI ANTERIORI (VEGA)



Pos.	Code	Q.ty	Description	Notes
1	59076805V	1	LEFT FRONT FENDER	
2	59076809V	1	RIGHT FRONT FENDER	
3	56177256	2	GUARD	
4	57376677	1	WING EXTENSION	
5	57376678	1	WING EXTENSION	
6	57376621	1	SUPPORT	
7	57376622	1	SUPPORT	
8	56177326	2	RETAINER	
9	56176896	1	SUPPORT	
10	56176897	1	SUPPORT	
11	56176906	1	COVER	
12	56176905	1	COVER	
13	31112264	8	SCREW TE M12X35 UNI 5739	
14	59076804	1	WING HOLDER	
15	59076813	1	WING HOLDER	
16	56177045	4	RETAINER	

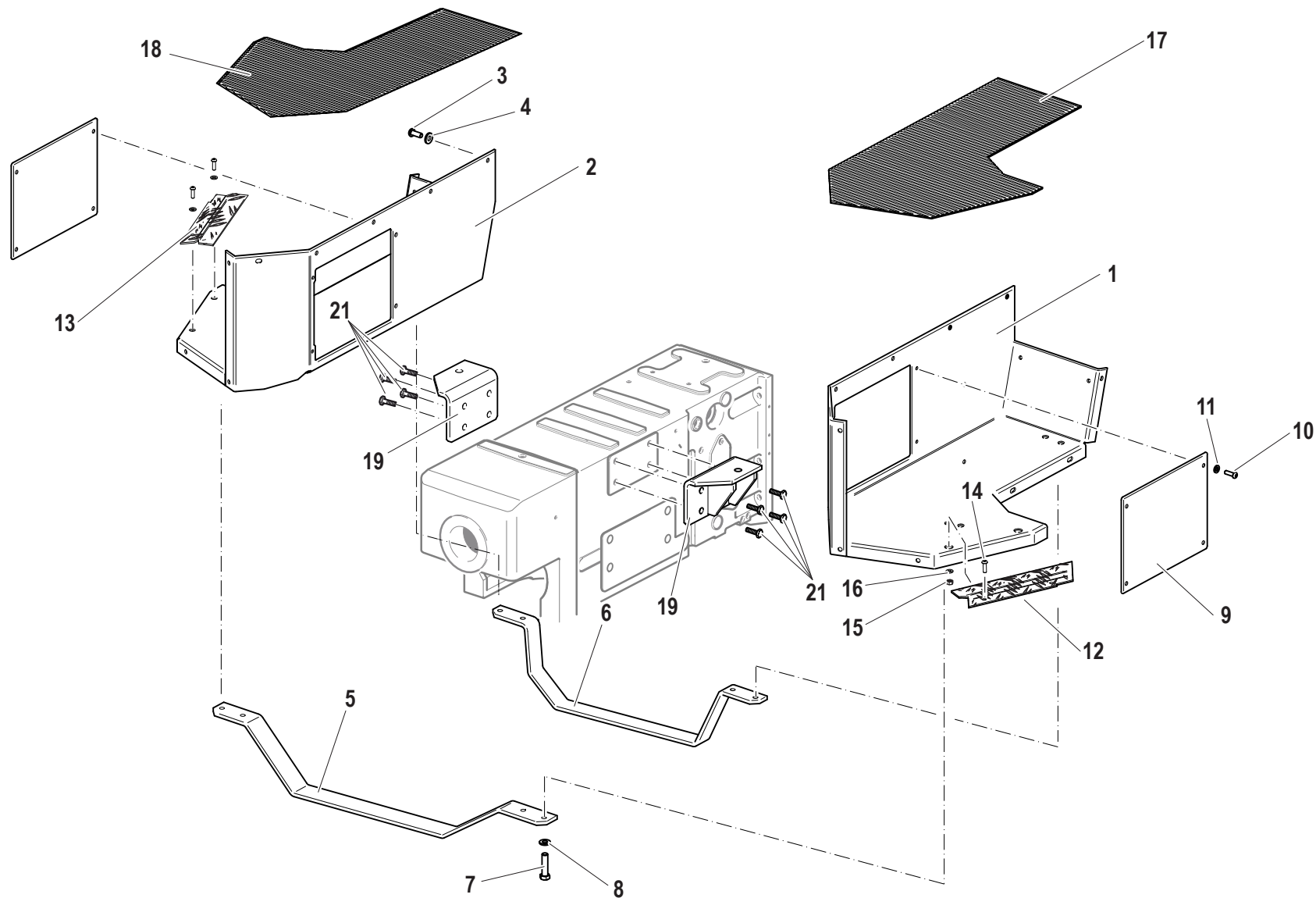


Pos.	Code	Q.ty	Description	Notes
1	59076649V	1	LEFT FRONT FENDER	
2	59076653V	1	RIGHT FRONT FENDER	
3	56177256	2	GUARD	
4	57376677	1	WING EXTENSION	
5	57376678	1	WING EXTENSION	
6	57376621	1	SUPPORT	
7	57376622	1	SUPPORT	
8	56177326	2	RETAINER	
9	56176896	1	SUPPORT	
10	56176897	1	SUPPORT	
11	56176906	1	COVER	
12	56176905	1	COVER	
13	59077057	1	WING HOLDER	
14	59077058	1	WING HOLDER	
15	31112264	8	SCREW TE M12X35 UNI 5739	
16	56177045	4	RETAINER	



Pos.	Code	Q.ty	Description	Notes
1	59076473V	1	PEDANA SX COMPL. VERDE (76473)	
2	59076474V	1	PEDANA DX COMPL. VERDE (76474)	
3	F0862479020	10	SCREW M8X16 7380	
4	31411084	10	WASHER 8,4x17	
5	56177244	1	CROSS MEMBER	
6	59077245	1	CROSS MEMBER	
7	31112151	8	SCREW TE M8X25 UNI 5739 8G	
8	F0843643060	8	WASHER 8	
9	56176475V	2	COVER	
10	F0862479034	8	SCREW M6X12 7380	
11	31411064	8	WASHER 6,4x12,5	
12	56176479V	2	PROT.ANT.PEDANA VERDE(76479)	
13	F0862479020	6	SCREW M8X16 7380	
14	31411084	6	WASHER 8,4x17	
15	F0843643060	6	WASHER 8	
16	31211080	6	NUT M8	
17	57277282	1	ANGULAR	
18	57277283	1	ANGULAR	
19	F0862479035	4	SCREW	
20	31211060	4	HEXAGONAL NUT M8	
21	F0843570000	4	WASHER 6	
22	57377284	1	FOOTREST COVER	
23	57377285	1	FOOTREST COVER	
24	59076143	1	FRONT SUPPORT	
25	59076144	1	FRONT SUPPORT	
26	31112802	8	SCREW M14X1,5X35 UNI 5740	

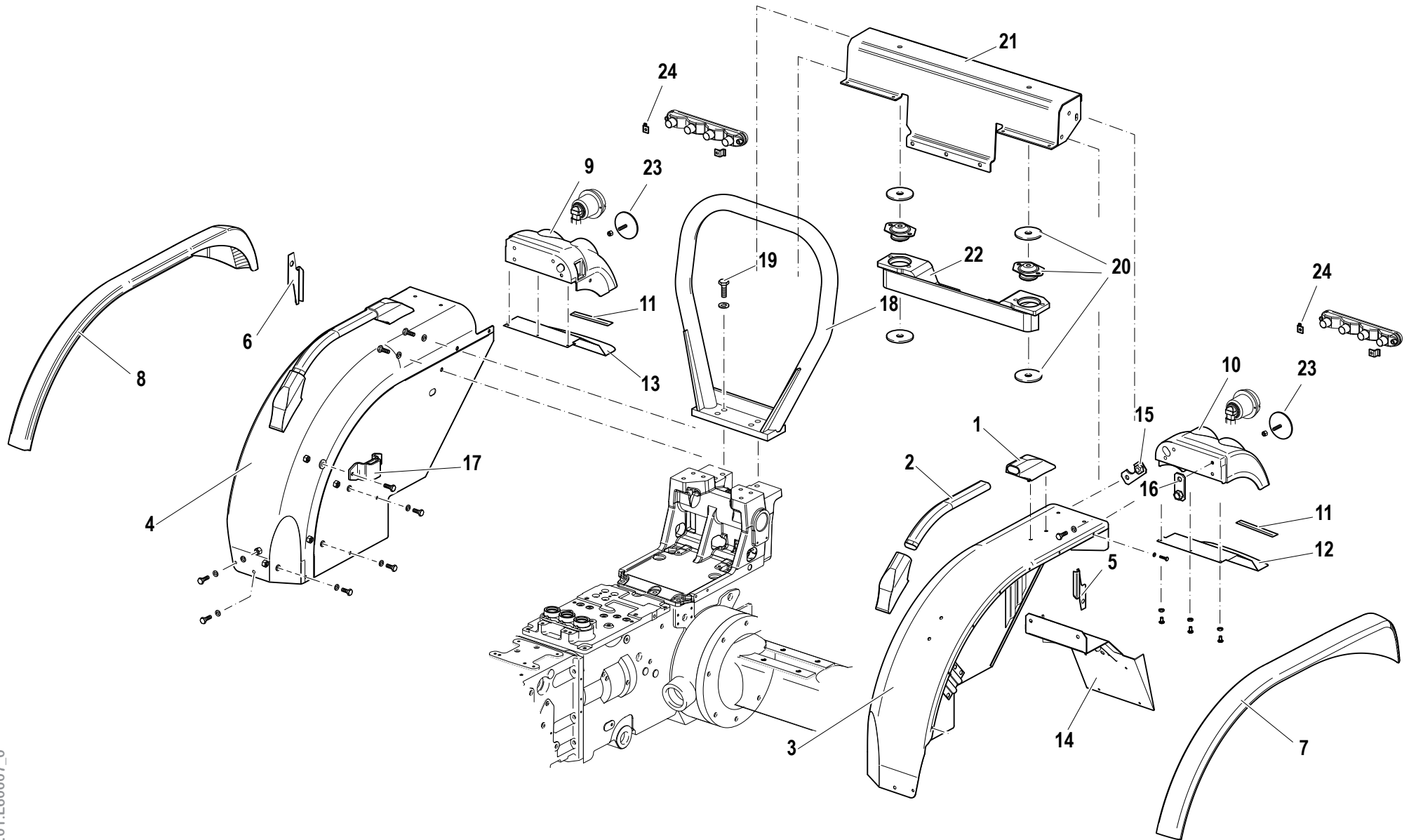
PEDANE (VEGA)





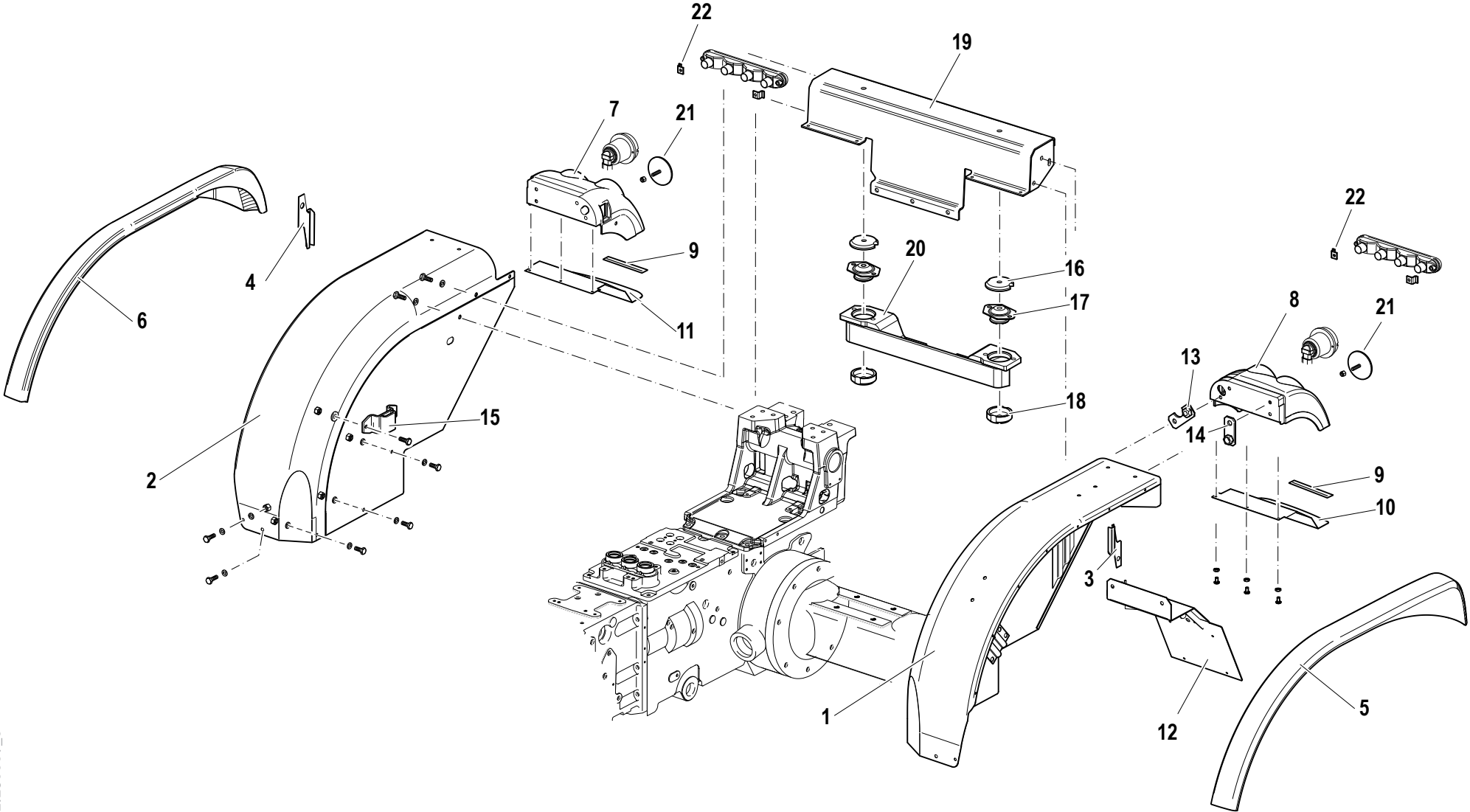
Pos.	Code	Q.ty	Description	Notes
1	59076480V	1	PEDANA SX COMPL. VERDE (76480)	
2	59076481V	1	PEDANA DX COMPL. VERDE (76481)	
3	F0862479020	10	SCREW M8X16 7380	
4	31411084	10	WASHER 8,4x17	
5	56177244	1	CROSS MEMBER	
6	59077245	1	CROSS MEMBER	
7	31112151	8	SCREW TE M8X25 UNI 5739 8G	
8	F0843643060	8	WASHER 8	
9	56176475V	2	COVER	
10	F0862479034	8	SCREW M6X12 7380	
11	31411064	8	WASHER 6,4x12,5	
12	57277674	1	PLATFORM	
13	57277675	1	PLATFORM	
14	F0862479035	4	SCREW	
15	31211060	4	HEXAGONAL NUT M8	
16	F0843570000	4	WASHER 6	
17	57377280	1	FOOTREST COVER	
18	57377281	1	FOOTREST COVER	
19	59076143	1	FRONT SUPPORT	
20	59076144	1	FRONT SUPPORT	
21	31112802	8	SCREW M14X1,5X35 UNI 5740	

PARAFANGHI POSTERIORI (VEGA)

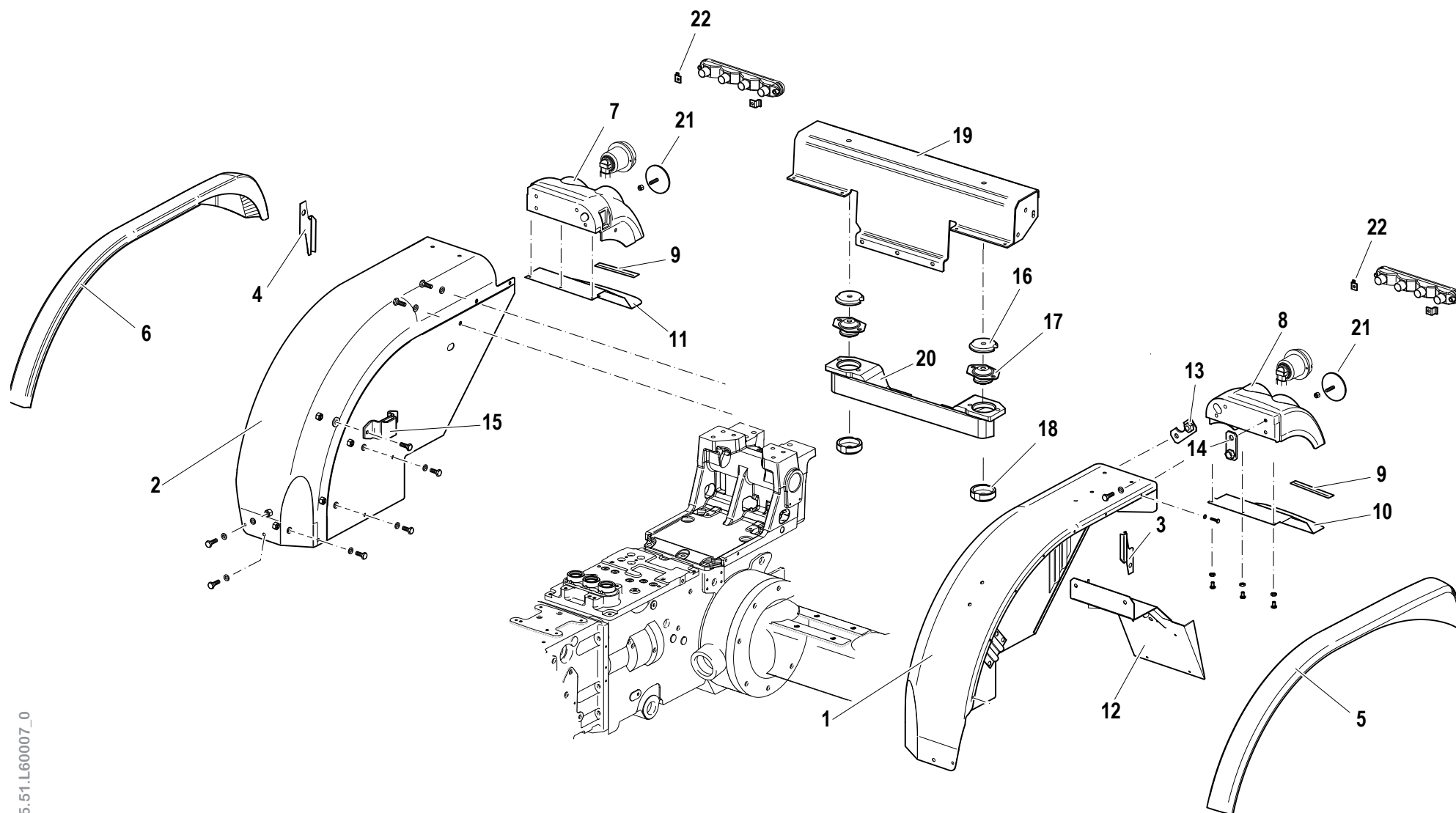


Pos.	Code	Q.ty	Description	Notes
1	55072935	4	SUPPORT	
2	56177252	2	MUDGUARD HANDLE	
3	59076633V	1	LEFT REAR FENDER	
4	59076637V	1	RIGHT REAR FENDER	
5	56176893	1	GUARD	
6	56176894	1	GUARD	
7	57376671	1	WING EXTENSION	
8	57376672	1	WING EXTENSION	
9	57376623	1	SUPPORT	
10	57376624	1	SUPPORT	
11	F0256910010	0.75	CELL FOAM PROFILE 10X15	
12	56176908	1	COVER	
13	56176907	1	COVER	
14	59076780	1	LICENCE PLATE HOLD	
15	56177264	1	RETAINING PLATE	
16	56177265	1	RETAINING PLATE	
17	59070592	1	LEVER BEARING	
18	59076861	1	SAFETY ROLL BAR	
19	31112801	4	SCREW M14x1,5x40 U/5740	
20	58176233	2	SILENT-BLOCK	
21	59076476V	1	TRAV.POST.PIATT. VERDE (76476)	
22	59076148	1	SUPPORT	
23	58177330	2	REFLECTOR	
24	56177045	4	RETAINER	

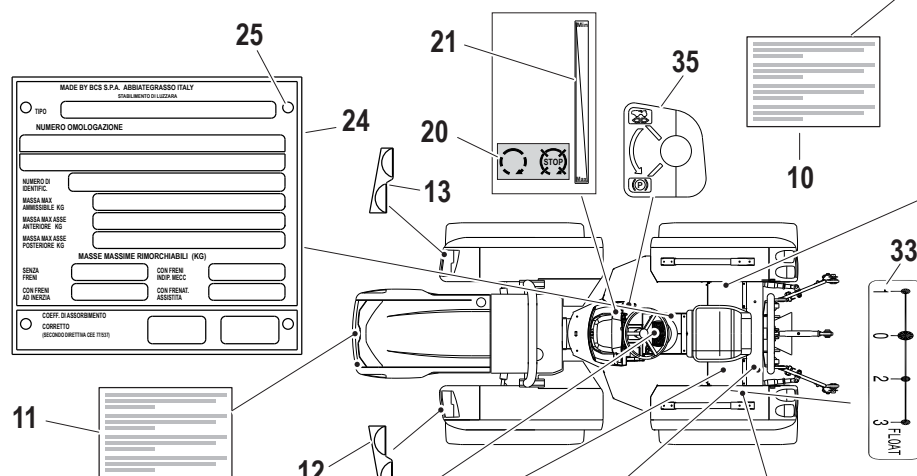
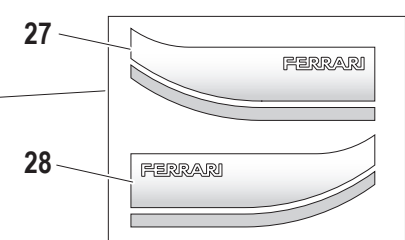
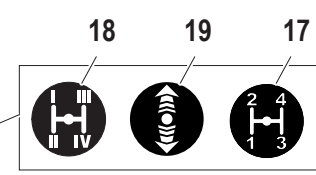
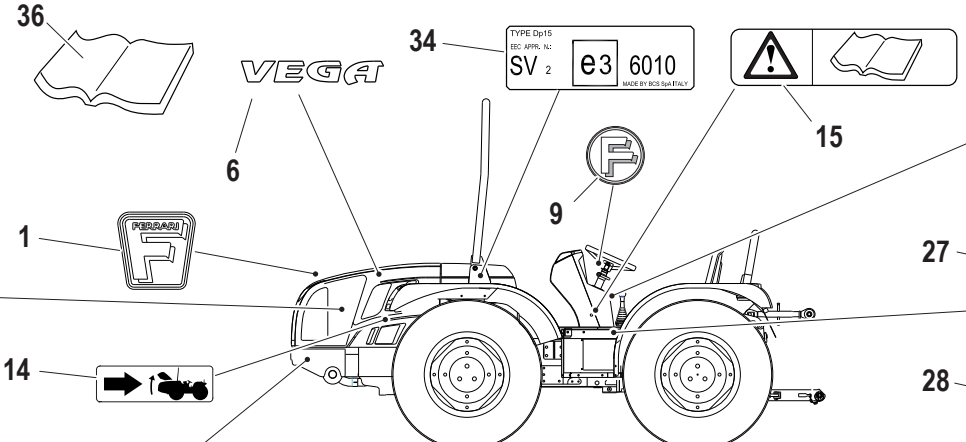
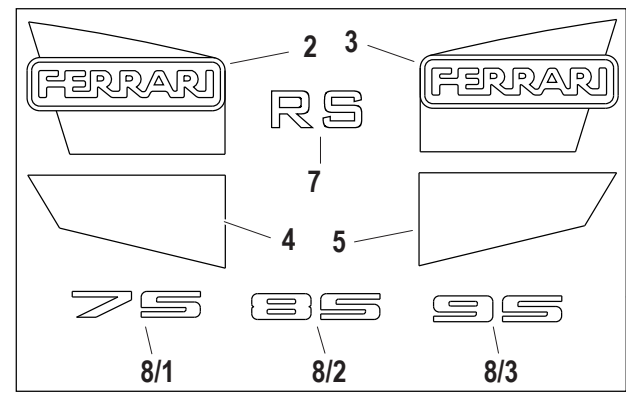
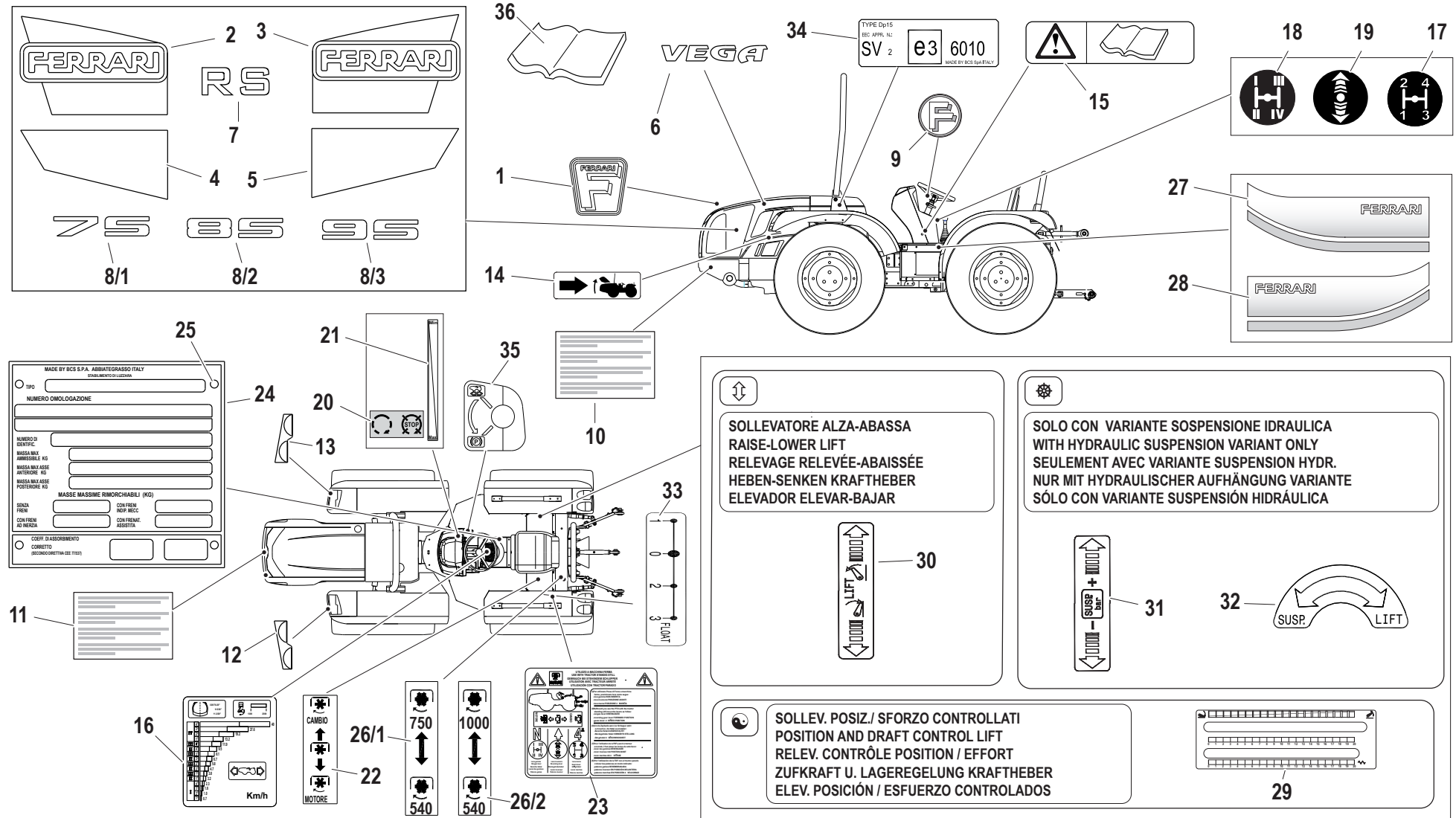
PARAFANGHI POSTERIORI (VEGA)



Pos.	Code	Q.ty	Description	Notes
1	59076633V	1	LEFT REAR FENDER	
2	59076637V	1	RIGHT REAR FENDER	
3	56176893	1	GUARD	
4	56176894	1	GUARD	
5	57376671	1	WING EXTENSION	
6	57376672	1	WING EXTENSION	
7	57376623	1	SUPPORT	
8	57376624	1	SUPPORT	
9	F0256910010	0.75	CELL FOAM PROFILE 10X15	
10	56176908	1	COVER	
11	56176907	1	COVER	
12	59076780	1	LICENCE PLATE HOLD	
13	56177264	1	RETAINING PLATE	
14	56177265	1	RETAINING PLATE	
15	59070592	1	LEVER BEARING	
16	56177223	4	STOP	
17	58177749	4	SILENT-BLOCK	
18	56177222	2	STOP	
19	59076482V	1	TRAV.POST.PIATT. VERDE (76482)	
20	59076148	1	SUPPORT	
21	58177330	2	REFLECTOR	
22	56177045	4	RETAINER	

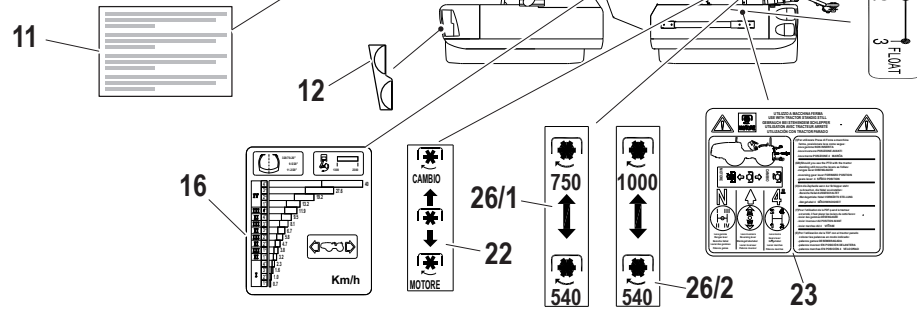


Pos.	Code	Q.ty	Description	Notes
1	59076633V	1	LEFT REAR FENDER	
2	59076637V	1	RIGHT REAR FENDER	
3	56176893	1	GUARD	
4	56176894	1	GUARD	
5	57376671	1	WING EXTENSION	
6	57376672	1	WING EXTENSION	
7	57376623	1	SUPPORT	
8	57376624	1	SUPPORT	
9	F0256910010	0.75	CELL FOAM PROFILE 10X15	
10	56176908	1	COVER	
11	56176907	1	COVER	
12	59076780	1	LICENCE PLATE HOLD	
13	56177264	1	RETAINING PLATE	
14	56177265	1	RETAINING PLATE	
15	59070592	1	LEVER BEARING	
16	56177223	4	STOP	
17	58177749	4	SILENT-BLOCK	
18	56177222	2	STOP	
19	59076476V	1	TRAV.POST.PIATT. VERDE (76476)	
20	59076148	1	SUPPORT	
21	58177330	2	REFLECTOR	
22	56177045	4	RETAINER	

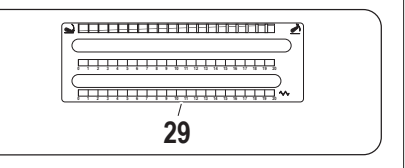


**SOLLEVATORE ALZA-ABASSA**  
 RAISE-LOWER LIFT  
 RELEVAGE RELEVÉE-ABAISSÉE  
 HEBEN-SENKEN KRAFTHEBER  
 ELEVADOR ELEVAR-BAJAR

SOLO CON VARIANTE SOSPENSIONE IDRAULICA  
 WITH HYDRAULIC SUSPENSION VARIANT ONLY  
 SEULEMENT AVEC VARIANTE SUSPENSION HYDR.  
 NUR MIT HYDRAULISCHER AUFHÄNGUNG VARIANTE  
 SÓLO CON VARIANTE SUSPENSIÓN HIDRÁULICA



**SOLLEV. POSIZ./ SFORZO CONTROLLATI**  
 POSITION AND DRAFT CONTROL LIFT  
 RELEV. CONTRÔLE POSITION / EFFORT  
 ZUFKRAFT U. LAGEREGELUNG KRAFTHEBER  
 ELEV. POSICIÓN / ESFUERZO CONTROLADOS





Pos.	Code	Q.ty	Description	Notes
1	58077000	1	DECAL	
2	58077195	1	DECAL	
3	58077196	1	DECAL	
4	58077191	1	DECAL	
5	58077192	1	DECAL	
6	58077144	2	DECAL	
7	58077187	2	DECAL	
9	58074777	1	DECAL	
10	58173772	1	PLATE	
11	58173773	1	PLATE	
12	58077421	1	DECAL	
13	58077422	1	DECAL	
14	58074841	1	DECAL	
15	58074880	1	PLATE	
16	58077046	1	DECAL	
17	58074222	1	DECAL	
18	58074221	1	DECAL	
19	58074220	1	DECAL	
20	58072511	1	INSTRUCTION PLATE	
21	58077047	1	DECAL	
22	58072575	1	PLATE	
23	58076077	1	DECAL	
24	58072737	1	PLATE	
25	F0808518050	4	RIVET 3,5x6,5	
27	58074839	1	DECAL	
28	58074846	1	DECAL	
29	58077049	1	DECAL	
30	58077051	1	PLATE	
31	58077052	1	PLATE	
32	58077053	1	PLATE	
33	58077054	1	PLATE	
34	58077619	1	PLATE	
35	58077048	1	DECAL	
36	F0907170132	1	TECH. MANUAL FERRARI VEGA	

SERIAL  
END

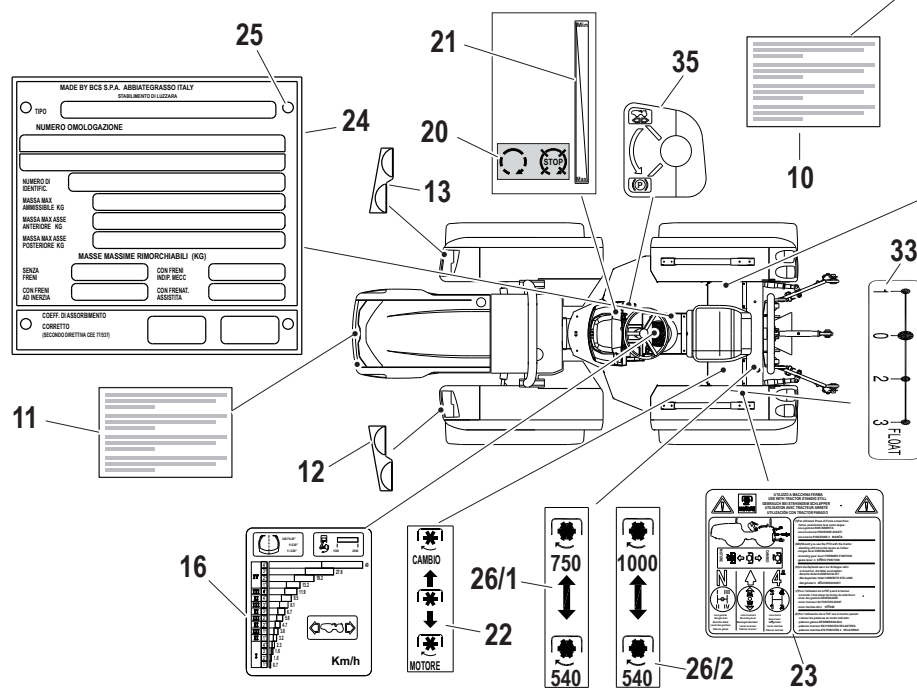
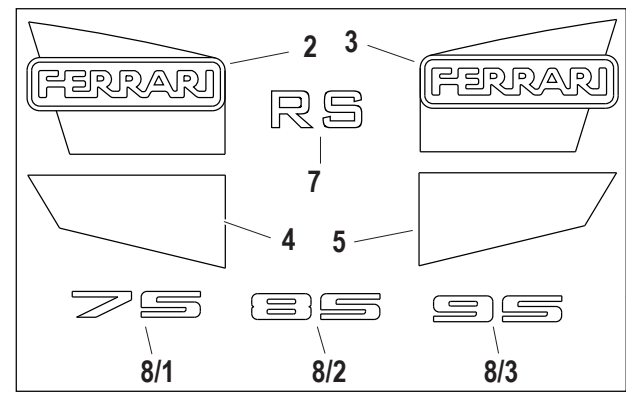
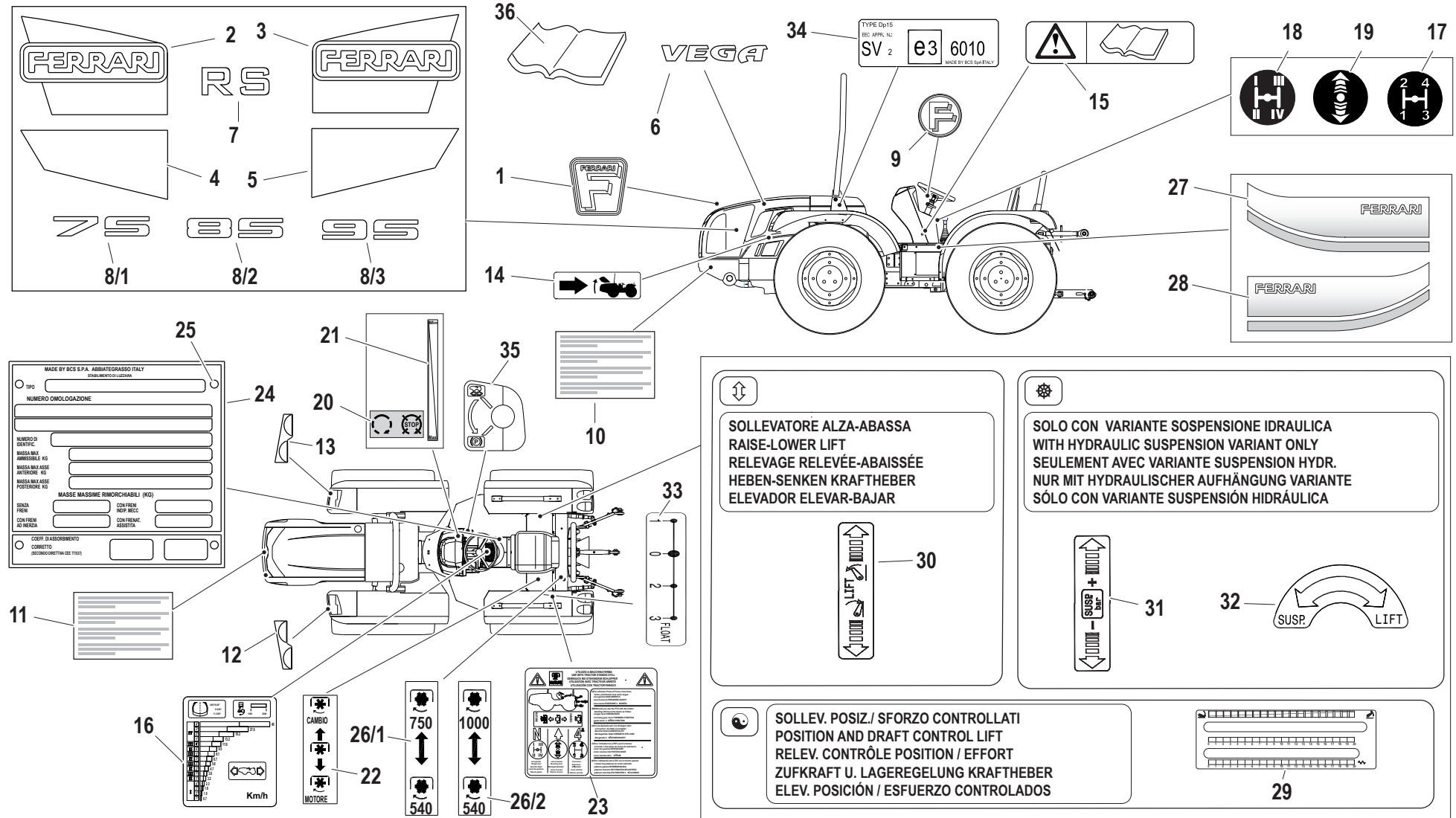
916940

**TARGHE E ADESIVI (VEGA)**


Hp 75

CODE REV

B.06.01.L60007\_0




SOLLEVATORE ALZA-ABASSA  
 RAISE-LOWER LIFT  
 RELEVAGE RELEVÉE-ABAISSÉE  
 HEBEN-SENKEN KRAFTHEBER  
 ELEVADOR ELEVAR-BAJAR




30

SOLO CON VARIANTE SOSPENSIONE IDRAULICA  
 WITH HYDRAULIC SUSPENSION VARIANT ONLY  
 SEULEMENT AVEC VARIANTE SUSPENSION HYDR.  
 NUR MIT HYDRAULISCHER AUFHÄNGUNG VARIANTE  
 SÓLO CON VARIANTE SUSPENSIÓN HIDRÁULICA




31



32

SOLLEV. POSIZ./ SFORZO CONTROLLATI  
 POSITION AND DRAFT CONTROL LIFT  
 RELEV. CONTRÔLE POSITION / EFFORT  
 ZUFKRAFT U. LAGEREGELUNG KRAFTHEBER  
 ELEV. POSICIÓN / ESFUERZO CONTROLADOS



29

Pos.	Code	Q.ty	Description	Notes
36	F0907170135	1	TECHN. MANUAL VEGA	
36	F0907170136	1	MAN.U/MFERRARI VEGA(FRA)	
36	F0907170137	1	MAN.U/MFERRARI VEGA(TED)	
36	F0907170138	1	MAN.U/MFERRARI VEGA(SPA)	
8/1	58077184	2	DECAL	
8/2	58077185	2	DECAL	
8/3	58077186	2	DECAL	
26/1	58072518	1	PLATE	
26/2	58072574	1	PLATE	

SERIAL  
END

916940

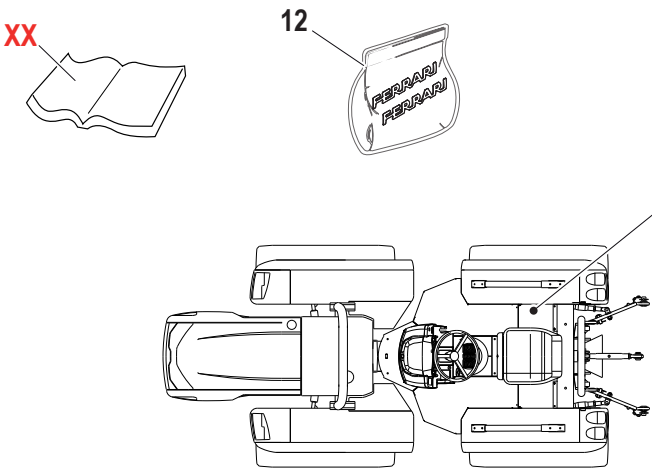
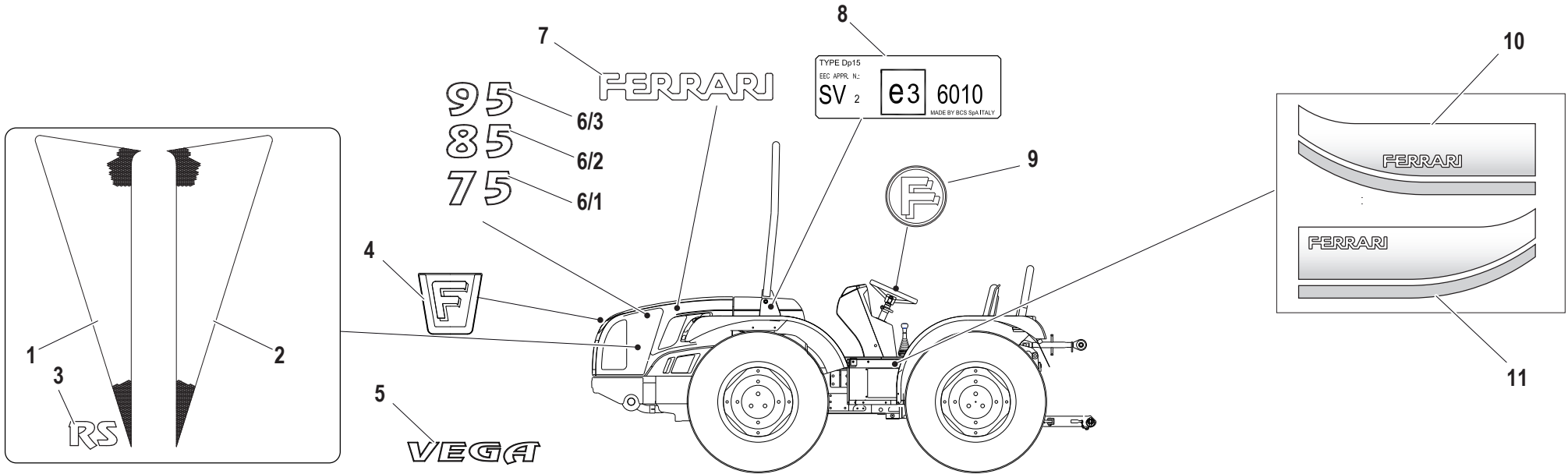
TARGHE E ADESIVI (VEGA)

Hp 75

CODE REV

B.06.01.L60007\_0

# TARGHE E ADESIVI



**SOLLEVATORE ALZA-ABASSA**  
**RAISE-LOWER LIFT**  
**RELEVAGE RELEVÉE-ABAISSÉE**  
**HEBEN-SENKEN KRAFTHEBER**  
**ELEVADOR ELEVAR-BAJAR**

13

**SOLO CON VARIANTE SOSPENSIONE IDRALICA**  
**WITH HYDRAULIC SUSPENSION VARIANT ONLY**  
**SEULEMENT AVEC VARIANTE SUSPENSION HYDR.**  
**NUR MIT HYDRAULISCHER AUFHÄNGUNG VARIANTE**  
**SÓLO CON VARIANTE SUSPENSIÓN HIDRÁULICA**

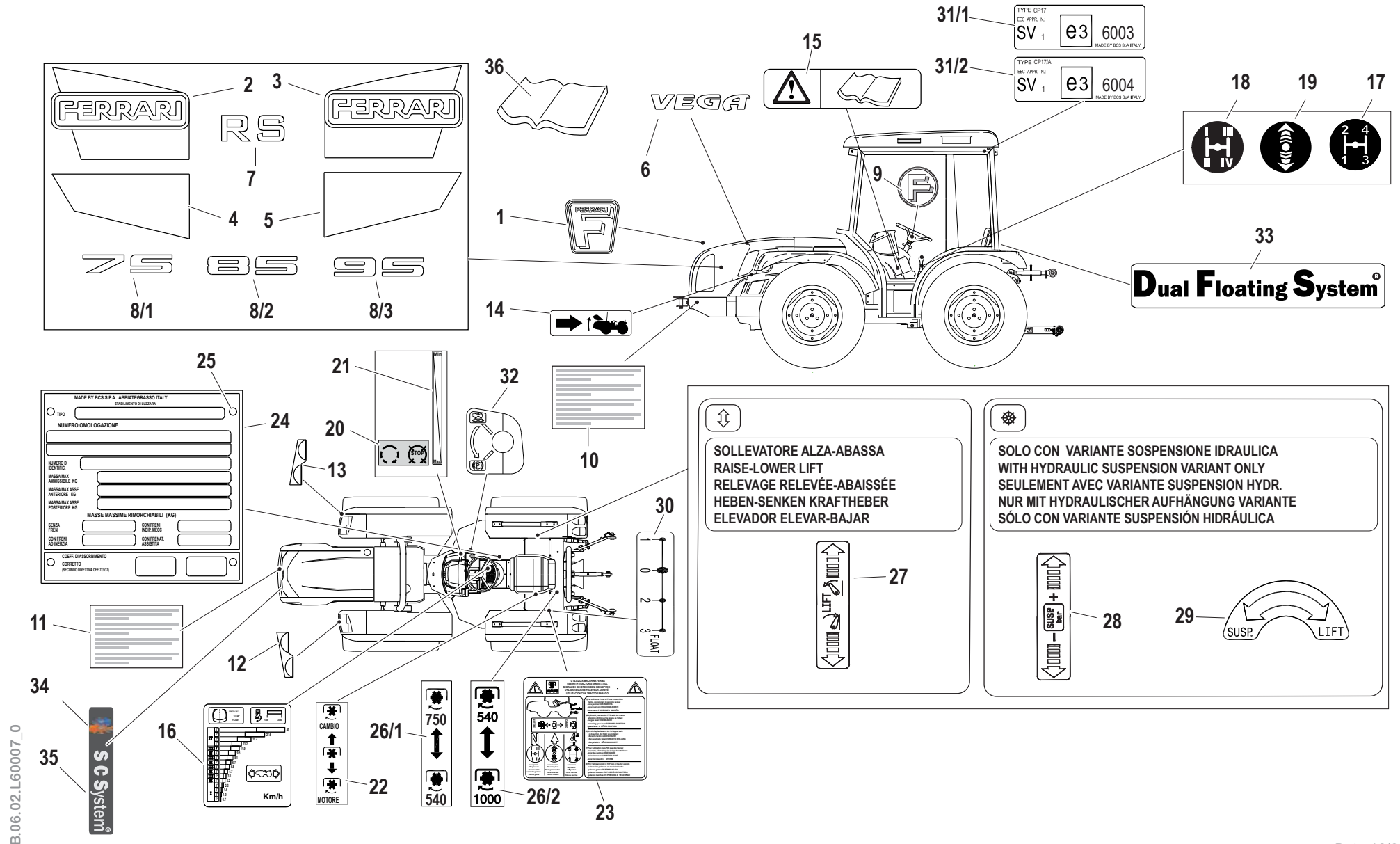
14

15

**SOLLEV. POSIZ./ SFORZO CONTROLLATI**  
**POSITION AND DRAFT CONTROL LIFT**  
**RELEV. CONTRÔLE POSITION / EFFORT**  
**ZUFKRAFT U. LAGEREGELUNG KRAFTHEBER**  
**ELEV. POSICIÓN / ESFUERZO CONTROLADOS**

16

Pos.	Code	Q.ty	Description	Notes
1	580A1153	1	DECAL	
2	580A1152	1	DECAL	
3	580A1155	2	DECAL	
4	580A1161	1	DECAL	
5	580A1151	2	DECAL	
7	58179013	2	DECAL	
8	58077619	1	PLATE	
9	580A1121	1	DECAL	
10	58074839	1	DECAL	
11	58074846	1	DECAL	
12	581A1060	1	GREEN TOOLS ENVELOPE	
13	58077051	1	PLATE	
14	58077052	1	PLATE	
15	58077053	1	PLATE	
16	58077049	1	DECAL	
6/1	580A1158	2	DECAL	
6/2	580A1157	2	DECAL	
6/3	580A1156	2	DECAL	



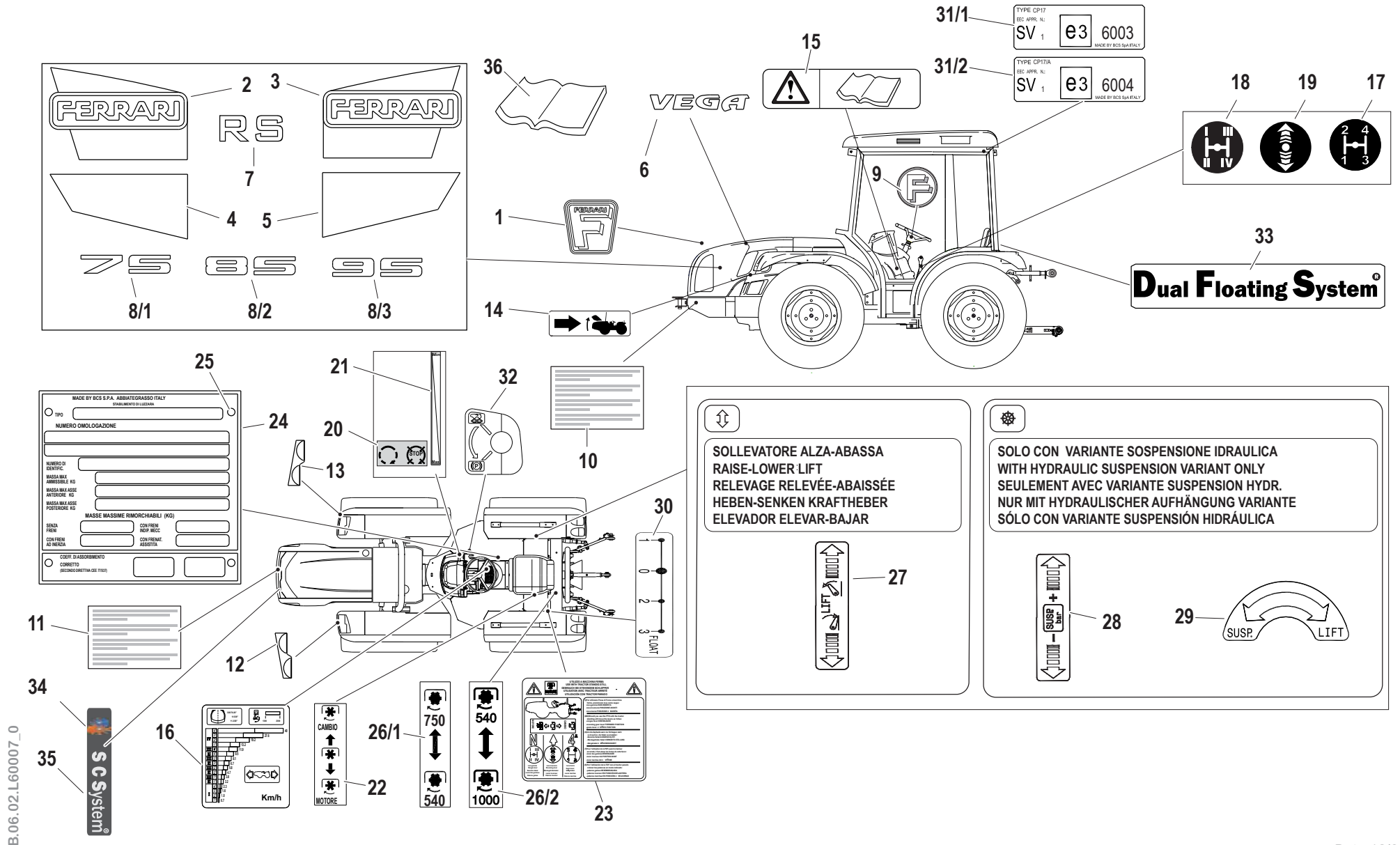
Pos.	Code	Q.ty	Description	Notes
1	58077000	1	DECAL	
2	58077195	1	DECAL	
3	58077196	1	DECAL	
4	58077191	1	DECAL	
5	58077192	1	DECAL	
6	58077144	2	DECAL	
7	58077187	2	DECAL	
9	58074777	1	DECAL	
10	58173772	1	PLATE	
11	58173773	1	PLATE	
12	58077421	1	DECAL	
13	58077422	1	DECAL	
14	58074841	1	DECAL	
15	58074880	1	PLATE	
16	58077046	1	DECAL	
17	58074222	1	DECAL	
18	58074221	1	DECAL	
19	58074220	1	DECAL	
20	58072511	1	INSTRUCTION PLATE	
21	58077047	1	DECAL	
22	58072575	1	PLATE	
23	58076077	1	DECAL	
24	58072737	1	PLATE	
25	F0808518050	4	RIVET 3,5x6,5	
27	58077051	1	PLATE	
28	58077052	1	PLATE	
29	58077053	1	PLATE	
30	58077054	1	PLATE	
32	58077048	1	DECAL	
33	58079512	1	DECAL	
34	58079509	1	DECAL	
35	58079511	1	DECAL	
36	F0907170132	1	TECH. MANUAL FERRARI VEGA	
36	F0907170135	1	TECHN. MANUAL VEGA	

SERIAL  
END  
**916940**

**TARGHE E ADESIVI (VEGA)**

Hp 75

CODE REV  
**B.06.02.L60007\_0**





Pos.	Code	Q.ty	Description	Notes
36	F0907170136	1	MAN.U/MFERRARI VEGA(FRA)	
36	F0907170137	1	MAN.U/MFERRARI VEGA(TED)	
36	F0907170138	1	MAN.U/MFERRARI VEGA(SPA)	
8/1	58077184	2	DECAL	
8/2	58077185	2	DECAL	
8/3	58077186	2	DECAL	
26/1	58072518	1	PLATE	
26/2	58072574	1	PLATE	
31/1	58077616	1	PLATE	
31/2	58077618	1	PLATE	

SERIAL  
END

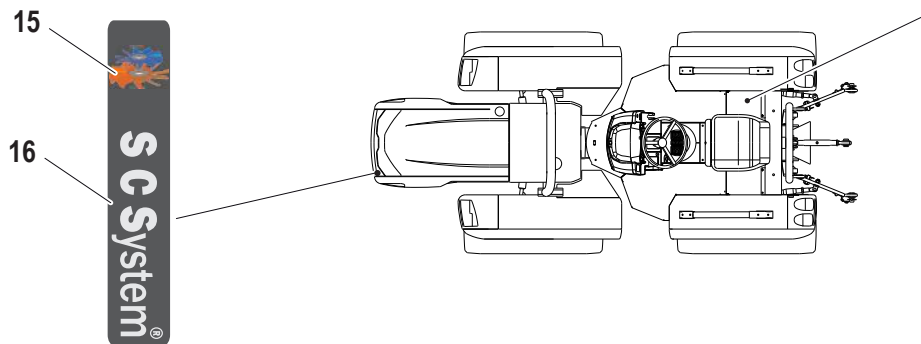
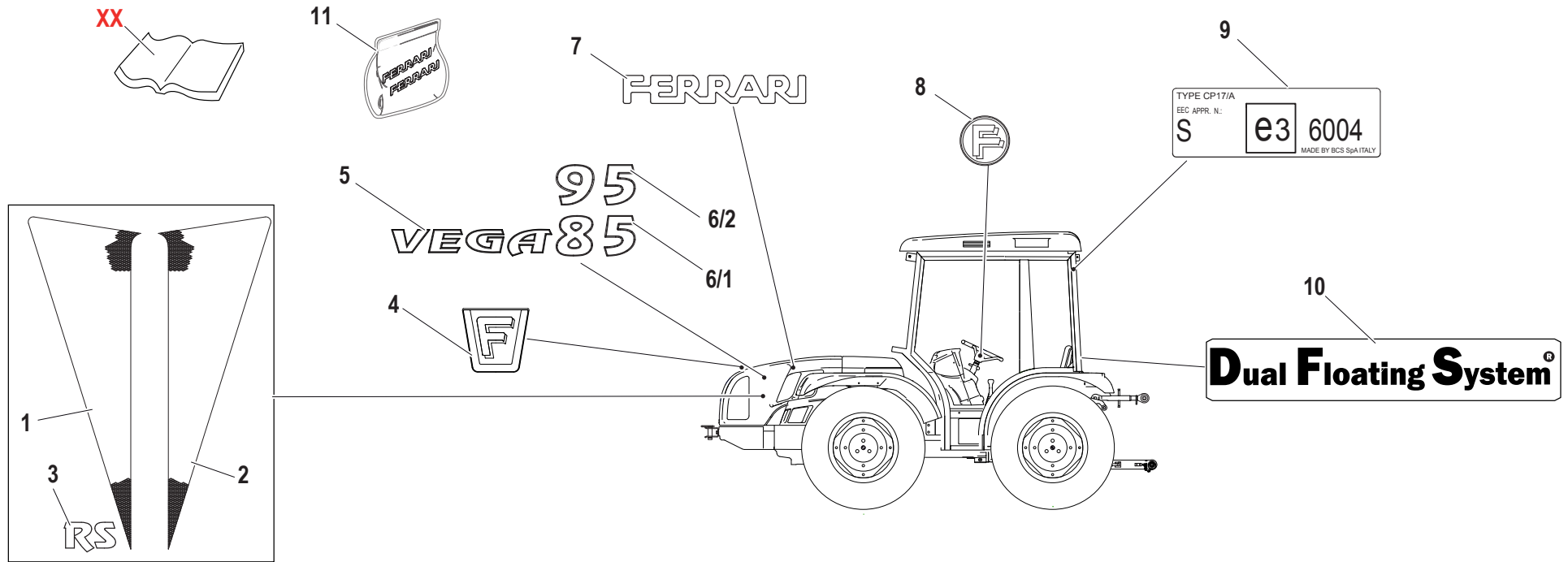
916940

TARGHE E ADESIVI (VEGA)

Hp 75

CODE REV

B.06.02.L60007\_0



↑ ↓

**SOLLEVATORE ALZA-ABASSA**  
**RAISE-LOWER LIFT**  
**RELEVAGE RELEVÉE-ABAISSÉE**  
**HEBEN-SENKEN KRAFTHEBER**  
**ELEVADOR ELEVAR-BAJAR**

↑  
LIFT  
↓

**12**

⚙️

**SOLO CON VARIANTE SOSPENSIONE IDRAULICA**  
**WITH HYDRAULIC SUSPENSION VARIANT ONLY**  
**SEULEMENT AVEC VARIANTE SUSPENSION HYDR.**  
**NUR MIT HYDRAULISCHER AUFHÄNGUNG VARIANTE**  
**SÓLO CON VARIANTE SUSPENSIÓN HIDRÁULICA**

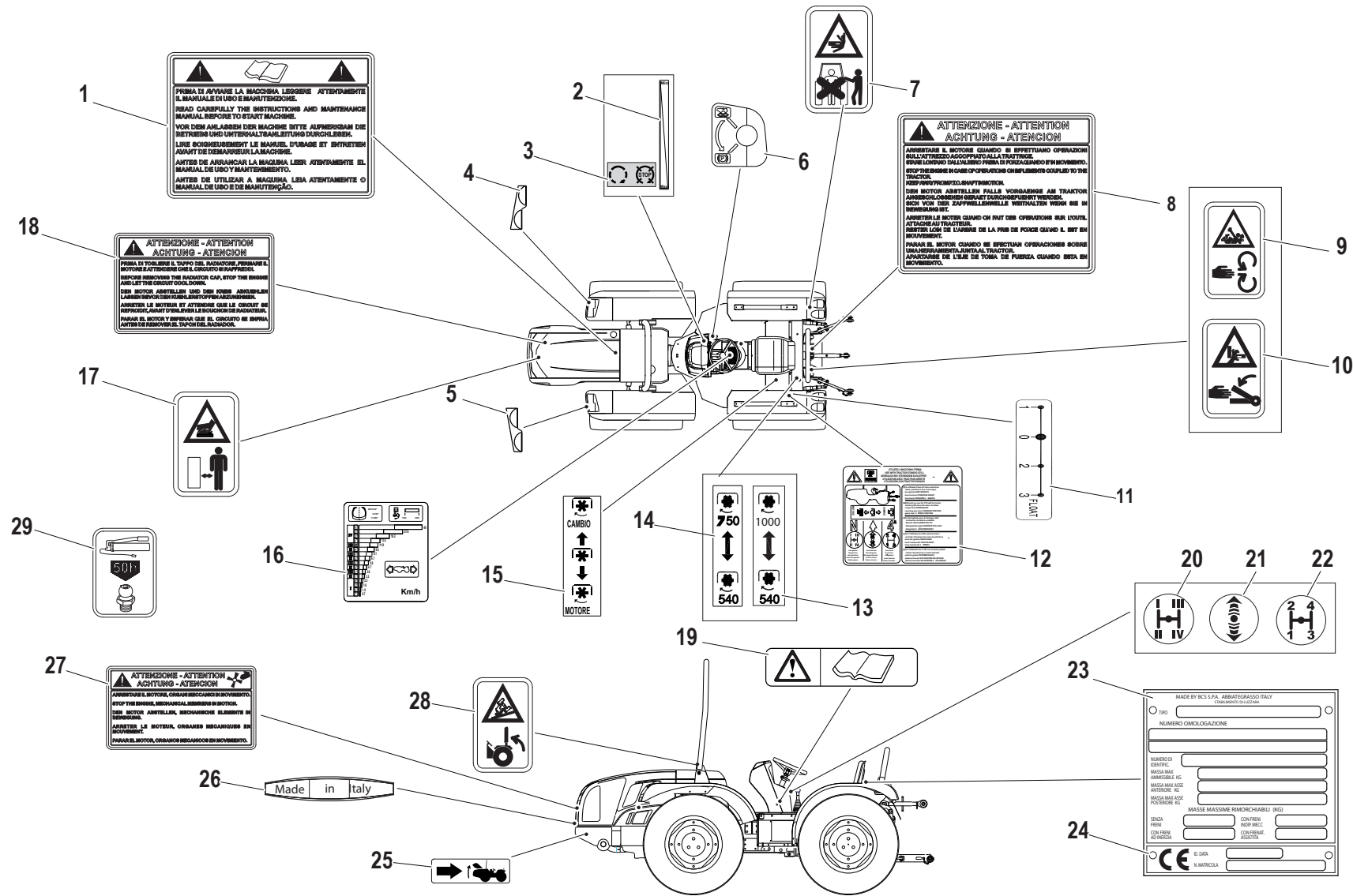
↑  
+  
SUSP  
-  
↓

**13**

**14**

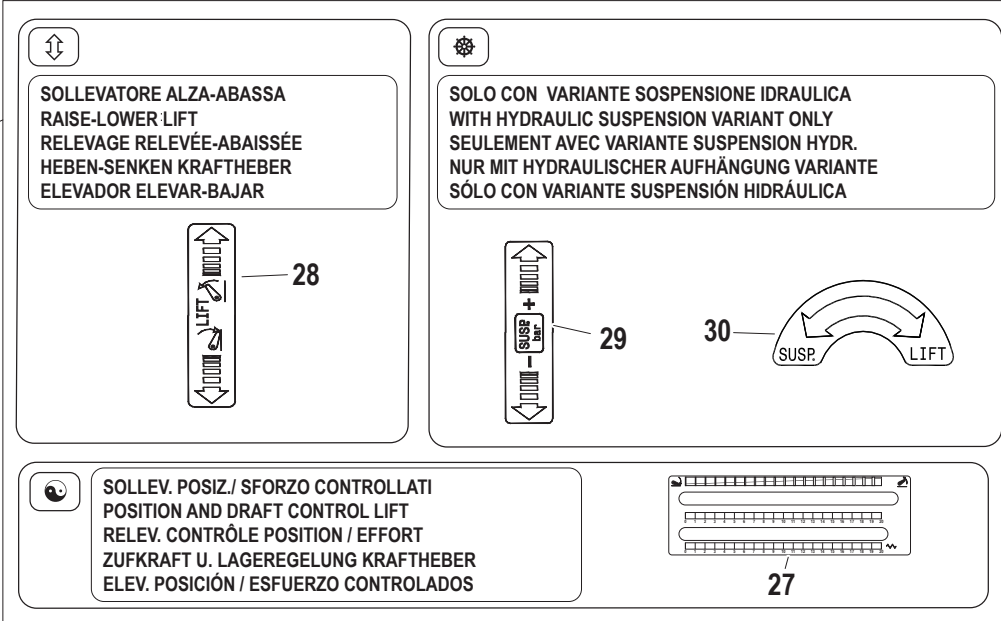
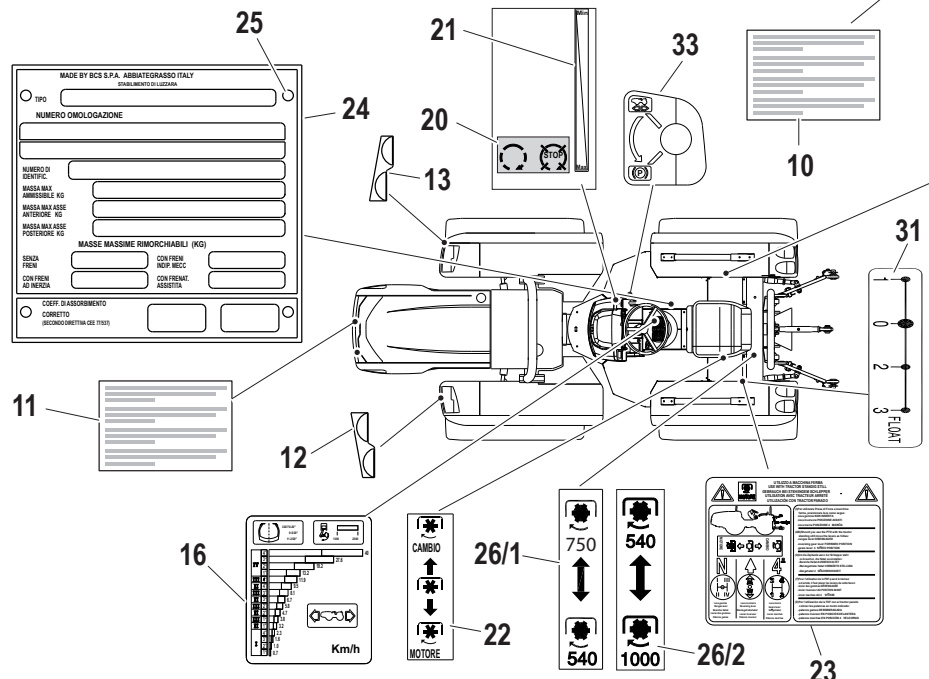
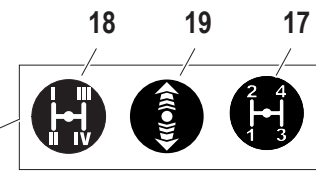
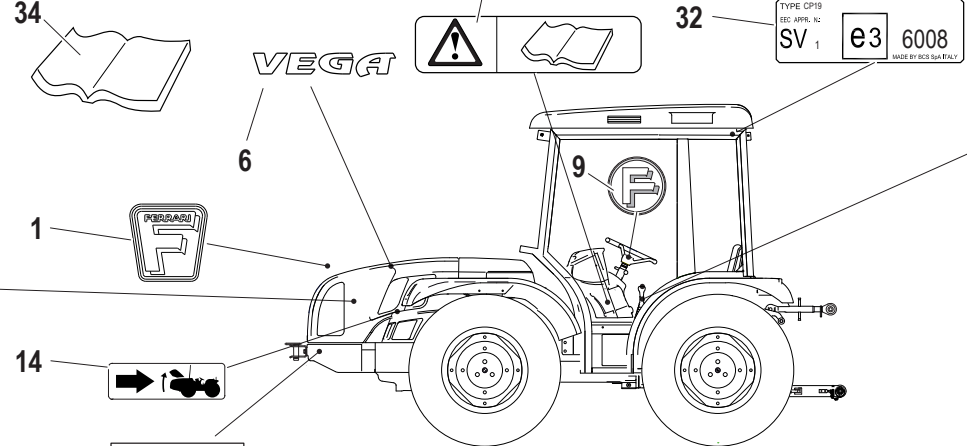
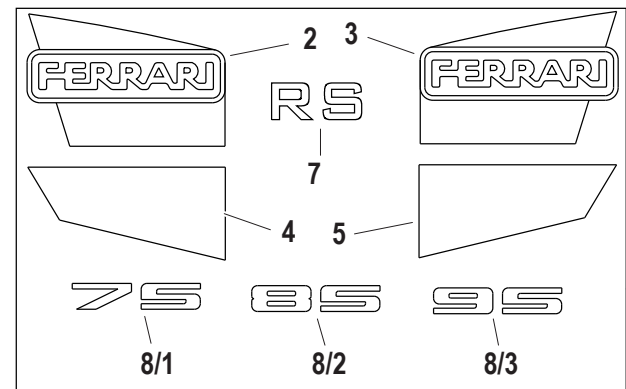
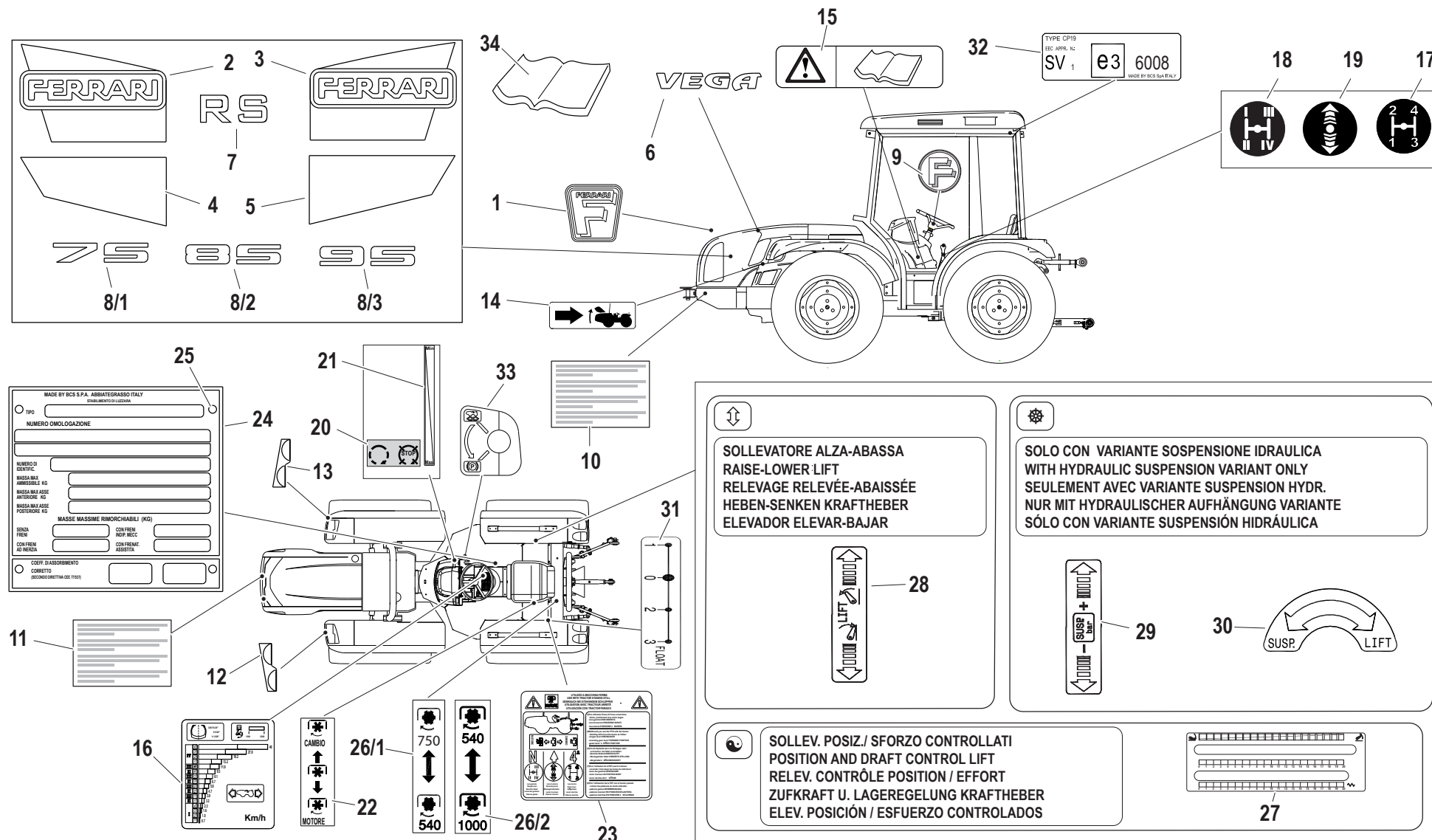
Pos.	Code	Q.ty	Description	Notes
1	580A1153	1	DECAL	
2	580A1152	1	DECAL	
3	580A1155	2	DECAL	
4	580A1161	1	DECAL	
5	580A1151	2	DECAL	
7	58179013	2	DECAL	
8	580A1121	1	DECAL	
9	58077616	1	PLATE	
10	58079512	1	DECAL	
11	581A1060	1	GREEN TOOLS ENVELOPE	
12	58077051	1	PLATE	
13	58077052	1	PLATE	
14	58077053	1	PLATE	
15	58079509	1	DECAL	
16	58079511	1	DECAL	
6/1	580A1157	2	DECAL	
6/2	580A1156	2	DECAL	

Pos.	Code	Q.ty	Description	Notes
15	58077049	1	DECAL	
14	58077051	1	PLATE	
17	58077052	1	PLATE	
18	58077053	1	PLATE	
19	58079509	1	DECAL	
3	580A0277	2	DECAL	
12	580A0285	1	DECAL	
8	580A0313	1	PLATE	
9	580A1121	1	DECAL	
10	580A1136	1	DECAL	
11	580A1137	1	DECAL	
20	580A2196	1	DECAL	
4	580A2845	1	DECAL	
2	580A2852	1	DECAL	
1	580A2853	1	DECAL	
5	580A2894	2	DECAL	
7	580A2895	2	DECAL	
6	580A2897	2	DECAL	
16	580A3324	2	DECAL	
13	581A1060	1	GREEN TOOLS ENVELOPE	



Pos.	Code	Q.ty	Description	Notes
0	58173775	1	PLATE	
1	580A1042	1	PLATE	
2	58072511	1	INSTRUCTION PLATE	
3	58077047	1	DECAL	
4	58077421	1	DECAL	
5	58077422	1	DECAL	
6	58077048	1	DECAL	
7	580A1015	1	DECAL	
8	580A1037	1	PLATE	
9	580A1607	1	DECAL	
10	580A1606	1	DECAL	
11	58077054	1	PLATE	
12	58076077	1	DECAL	
13	58072574	1	PLATE	
14	58072518	1	PLATE	
15	58072575	1	PLATE	
16	58077046	1	DECAL	
17	580A1016	1	DECAL	
18	580A1038	1	PLATE	
19	58074880	1	PLATE	
20	580A1582	1	DECAL	
21	580A1583	1	DECAL	
22	580A1581	1	DECAL	
23	580A1023	1	PLATE	
24	F0808518050	4	RIVET 3,5x6,5	
25	58074841	1	DECAL	
26	580A1159	1	DECAL	
27	580A1039	1	FAN WARNING PLATE	
28	580A1605	1	DECAL	
29	580A1609	4	DECAL	

Pos.	Code	Q.ty	Description	Notes
2	58072511	1	INSTRUCTION PLATE	
14	58072518	1	PLATE	
13	58072574	1	PLATE	
15	58072575	1	PLATE	
19	58074880	1	PLATE	
12	58076077	1	DECAL	
16	58077046	1	DECAL	
3	58077047	1	DECAL	
6	58077048	1	DECAL	
11	58077054	1	PLATE	
7	580A1015	1	DECAL	
17	580A1016	1	DECAL	
23	580A1023	1	PLATE	
8	580A1037	1	PLATE	
18	580A1038	1	PLATE	
27	580A1039	1	FAN WARNING PLATE	
1	580A1042	1	PLATE	
22	580A1581	1	DECAL	
20	580A1582	1	DECAL	
21	580A1583	1	DECAL	
4	580A1605	1	DECAL	
10	580A1606	1	DECAL	
9	580A1607	1	DECAL	
5	580A1609	4	DECAL	
26	580A2179	1	DECAL	
25	580A3075	1	DECAL	
24	F0808518050	4	RIVET 3,5x6,5	





Pos.	Code	Q.ty	Description	Notes
1	58077000	1	DECAL	
2	58077195	1	DECAL	
3	58077196	1	DECAL	
4	58077191	1	DECAL	
5	58077192	1	DECAL	
6	58077144	2	DECAL	
7	58077187	2	DECAL	
9	58074777	1	DECAL	
10	58173772	1	PLATE	
11	58173773	1	PLATE	
12	58077421	1	DECAL	
13	58077422	1	DECAL	
14	58074841	1	DECAL	
15	58074880	1	PLATE	
16	58077046	1	DECAL	
17	58074222	1	DECAL	
18	58074221	1	DECAL	
19	58074220	1	DECAL	
20	58072511	1	INSTRUCTION PLATE	
21	58077047	1	DECAL	
22	58072575	1	PLATE	
23	58076077	1	DECAL	
24	58072737	1	PLATE	
25	F0808518050	4	RIVET 3,5x6,5	
27	58077049	1	DECAL	
28	58077051	1	PLATE	
29	58077052	1	PLATE	
30	58077053	1	PLATE	
31	58077054	1	PLATE	
32	58077617	1	PLATE	
33	58077048	1	DECAL	
34	F0907170132	1	TECH. MANUAL FERRARI VEGA	
34	F0907170135	1	TECHN. MANUAL VEGA	
34	F0907170136	1	MAN.U/MFERRARI VEGA(FRA)	

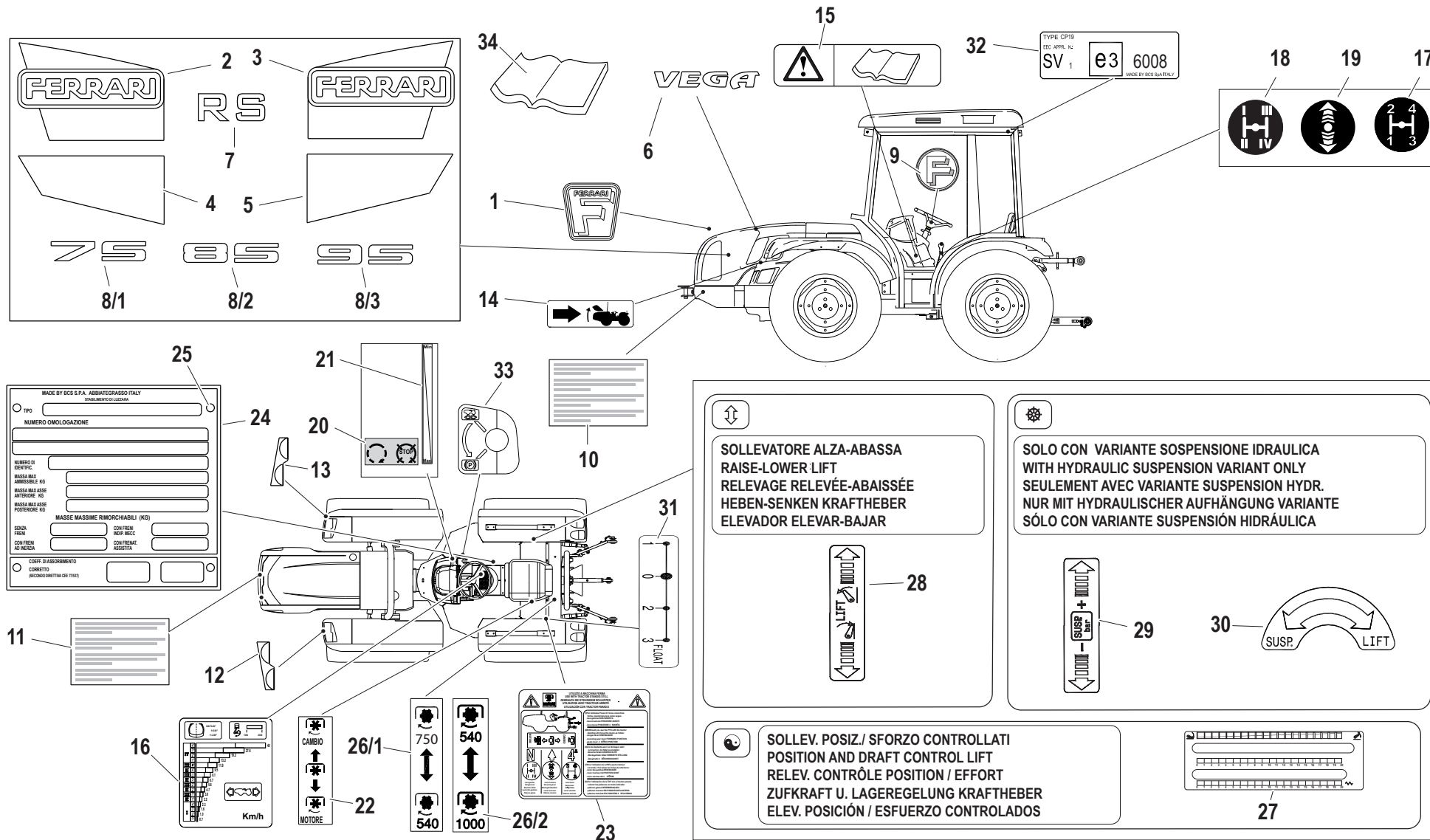
SERIAL

**TARGHE E ADESIVI (VEGA) (RS CABINA)**

Hp 75

CODE REV

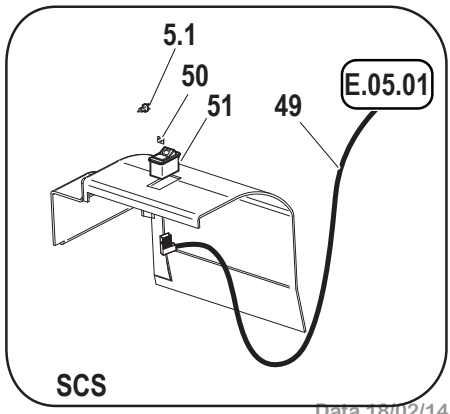
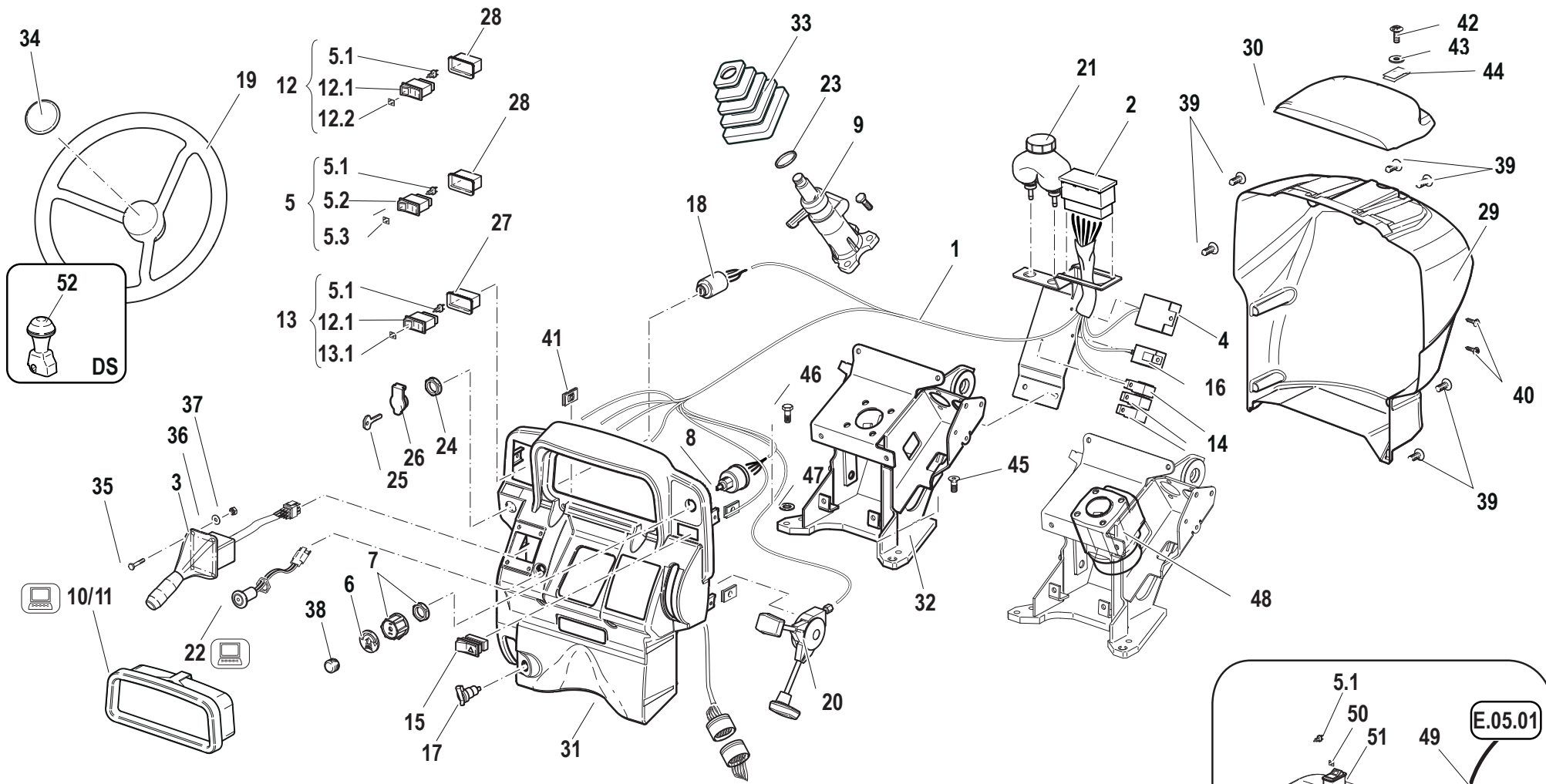
**B.06.51.L60007\_0**



Pos.	Code	Q.ty	Description	Notes
34	F0907170137	1	MAN.U/MFERRARI VEGA(TED)	
34	F0907170138	1	MAN.U/MFERRARI VEGA(SPA)	
8/1	58077184	2	DECAL	
8/2	58077185	2	DECAL	
8/3	58077186	2	DECAL	
26/1	58072518	1	PLATE	
26/2	58072574	1	PLATE	

DASHBOARD

SERIAL END 914975



B.07.01.L60007\_0

Pos.	Code	Q.ty	Description	Notes
1	58079935	1	CABLE	
2	58170453	1	FUSE BOX	
3	58173345	1	STEERING COLUMN SWITCH UNIT	
4	58175700	1	SWITCHING CONTROL UNIT	
5	58176580	1	CHANGE-OVER SWITCH	
6	58176826	1	COVER	
7	58176834	1	KNOB	
8	58176853	1	SWITCH	
9	58177087	1	SMALL COLUMN	
10	58177142	1	INSTRUMENT	
11	58177143	1	INSTRUMENT	
12	58177266	1	CHANGE-OVER SWITCH	
13	58176578	1	CHANGE-OVER SWITCH	
14	59900242	3	RELAY	
15	F0825115010	1	PUSH-BUTTON	
16	F0825139000	1	FLASHER	
17	F0825403050	1	SOCKET	
18	F0825500200	1	CHANGE-OVER SWITCH	
19	F0865040000	1	STEERING WHEEL	
20	P238106000000	1	ACCELERATOR	
21	P238176000000	1	TANK	
22	58176593	1	SWITCH	
23	56177086	1	CENTERING	
24	F0825500210	1	RING NUT	
25	F0825500220	1	KEY	
26	F0825400060	1	COVER	
27	58175162	1	CHANGE-OVER SWITCH HOLDER	
28	58170376	2	TERMINAL FOR SWITCH	
29	57376301	1	DASHBOARD	
30	57376302	1	COVER	
31	55276300	1	INSTRUMENT PANEL	
32	59077017	1	SUPPORT	
33	P238105000000	1	BELLOWS	
34	F0865040020	1	PLUG	

SERIAL  
END

**914975**

**DASHBOARD**

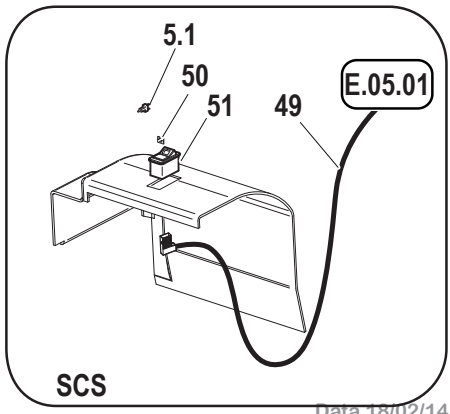
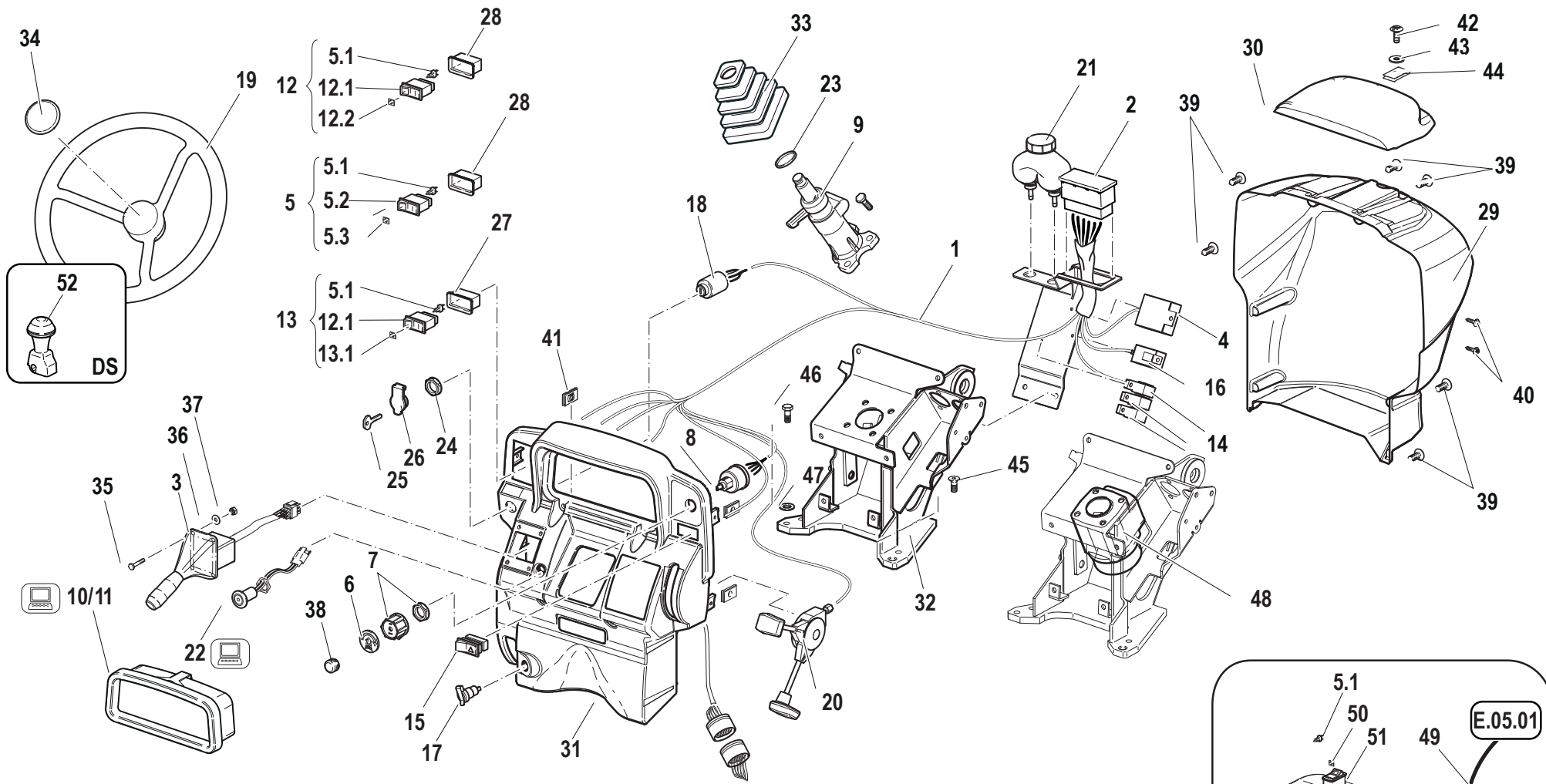
Hp 75

CODE REV

**B.07.01.L60007\_0**

DASHBOARD

SERIAL END 914975

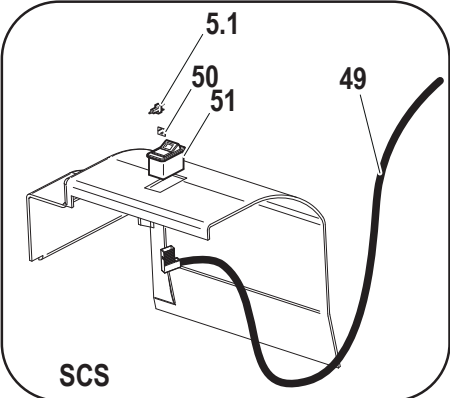
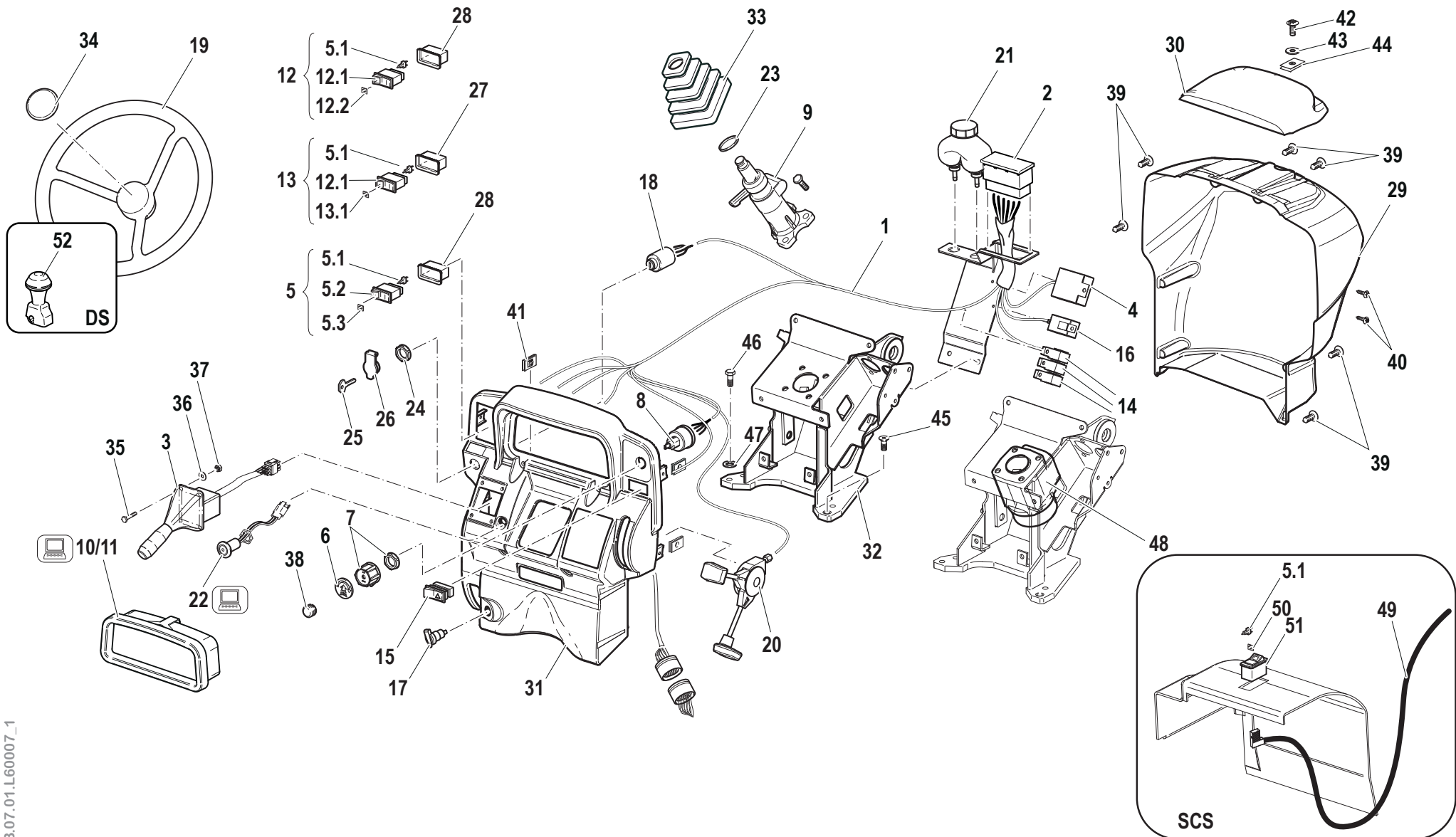


B.07.01.L60007\_0

Pos.	Code	Q.ty	Description	Notes
35	31111084	4	SCREW TE M4X16 UNI 5739 8G	
36	F0843526000	4	WASHER 4,3x12/1,5	
37	31211040	4	NUT M4	
38	58177657	1	PLUG	
39	31510053	6	RIBBED SCREW TC 4,8X32	
40	31510096	4	RIBBED SCREW 4,2X16	
41	58173767	4	SMALL PLATE	
42	58177426	1	SCREW	
43	58177424	1	WASHER	
44	58177425	1	SPRING	
45	31133600	1	SCREW TSVEI M10X25 U5933	
46	31112219	3	SCREW TE M10X25 UNI 5739	
47	F0843755000	3	WASHER 10	
48	58178954	1	HYDROSTEERING	
49	58079279	1	CABLE	
50	58179271	1	GREEN GLASS	
51	58173118	1	SWITCH	
52	58178958	1	HANDLE	
5.1	58173119	4	PILOT LIGHT 12V	
5.2	58176581	1	SWITCH	
5.3	58173121	1	GLASS	
12.1	58177268	2	CHANGE-OVER SWITCH	
12.2	58173120	1	GLASS	
13.1	58176579	1	GLASS	

# DASHBOARD

SERIAL START 914976 END 917506



B.07.01.L60007\_1



Pos.	Code	Q.ty	Description	Notes
1	58079935	1	CABLE	
2	58170453	1	FUSE BOX	
3	58173345	1	STEERING COLUMN SWITCH UNIT	
4	58175700	1	SWITCHING CONTROL UNIT	
5	58176580	1	CHANGE-OVER SWITCH	137/07
6	58176826	1	COVER	
7	58176834	1	KNOB	
8	58176853	1	SWITCH	
9	58177087	1	SMALL COLUMN	
10	58177142	1	INSTRUMENT	
11	58177143	1	INSTRUMENT	
12	58177266	1	CHANGE-OVER SWITCH	137/07
13	58176578	1	CHANGE-OVER SWITCH	137/07
14	59900242	3	RELAY	
15	F0825115010	1	PUSH-BUTTON	
16	F0825139000	1	FLASHER	
17	F0825403050	1	SOCKET	
18	F0825500200	1	CHANGE-OVER SWITCH	
19	F0865040000	1	STEERING WHEEL	
20	P238106000000	1	ACCELERATOR	
21	P238176000000	1	TANK	
22	58176593	1	SWITCH	
23	56177086	1	CENTERING	
24	F0825500210	1	RING NUT	
25	F0825500220	1	KEY	
26	F0825400060	1	COVER	
27	58175162	1	CHANGE-OVER SWITCH HOLDER	
28	58170376	2	TERMINAL FOR SWITCH	
29	57376301	1	DASHBOARD	
30	57376302	1	COVER	
31	55276300	1	INSTRUMENT PANEL	
32	59077017	1	SUPPORT	
33	P238105000000	1	BELLOWS	
34	F0865040020	1	PLUG	

SERIAL  
START  
**914976**

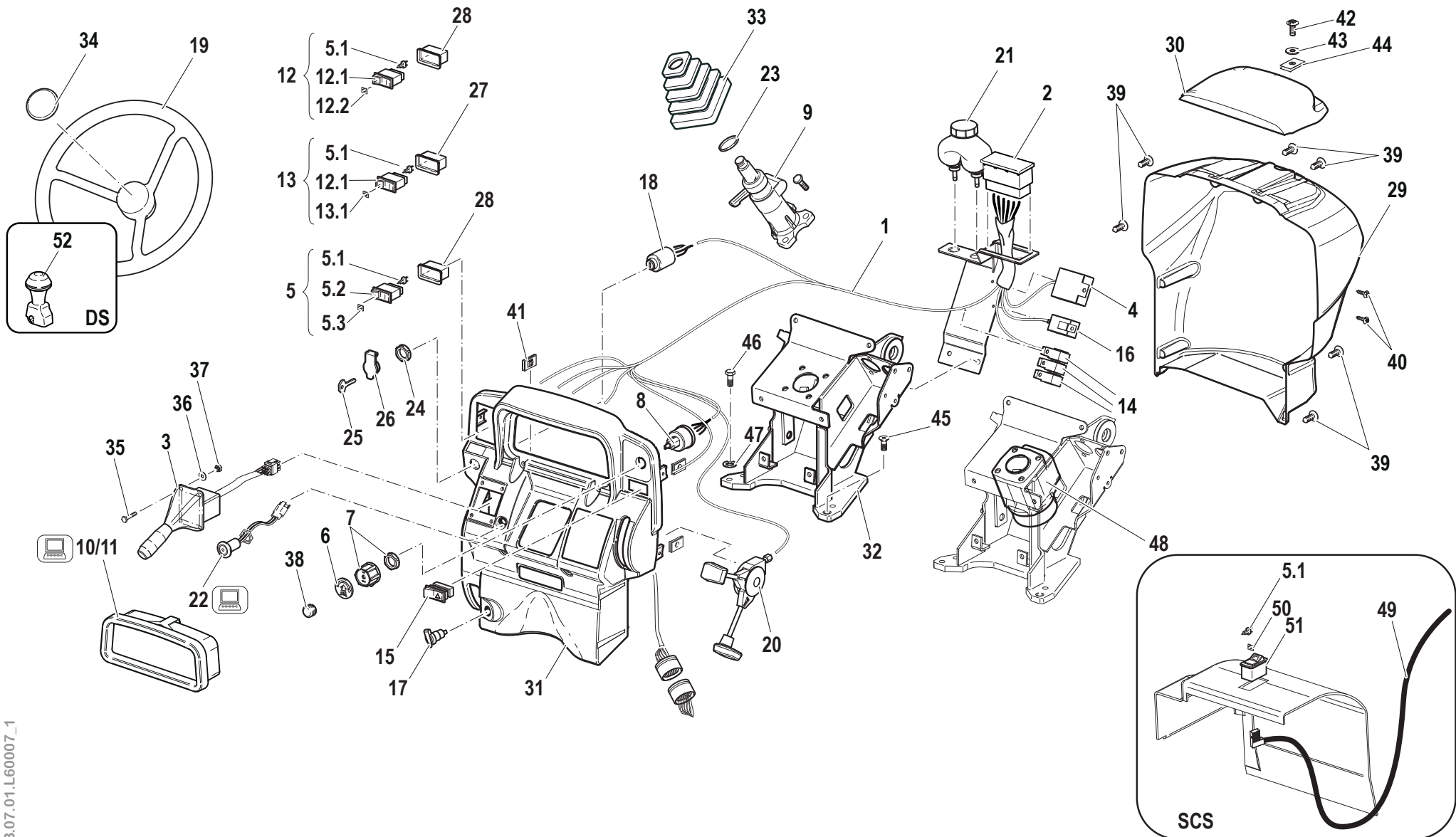
END  
**917506**

**DASHBOARD**  
Hp 75

CODE REV  
**B.07.01.L60007\_1**

# DASHBOARD

SERIAL START 914976 END 917506



B.07.01.L60007\_1

Pos.	Code	Q.ty	Description	Notes
35	31111084	4	SCREW TE M4X16 UNI 5739 8G	
36	F0843526000	4	WASHER 4,3x12/1,5	
37	31211040	4	NUT M4	
38	58177657	1	PLUG	
39	31510053	6	RIBBED SCREW TC 4,8X32	
40	31510096	4	RIBBED SCREW 4,2X16	
41	58173767	4	SMALL PLATE	
42	58177426	1	SCREW	
43	58177424	1	WASHER	
44	58177425	1	SPRING	
45	31133600	1	SCREW TSVEI M10X25 U5933	
46	31112219	3	SCREW TE M10X25 UNI 5739	
47	F0843755000	3	WASHER 10	
48	58178954	1	HYDROSTEERING	
49	58079279	1	CABLE	
50	58179271	1	GREEN GLASS	
51	58173118	1	SWITCH	
52	58178958	1	HANDLE	
5.1	58173119	4	PILOT LIGHT 12V	137/07
5.2	58176581	1	SWITCH	137/07
5.3	58173121	1	GLASS	137/07
12.1	58177268	2	CHANGE-OVER SWITCH	137/07
12.2	58173120	1	GLASS	137/07
13.1	58176579	1	GLASS	137/07

SERIAL  
START  
**914976**

END  
**917506**

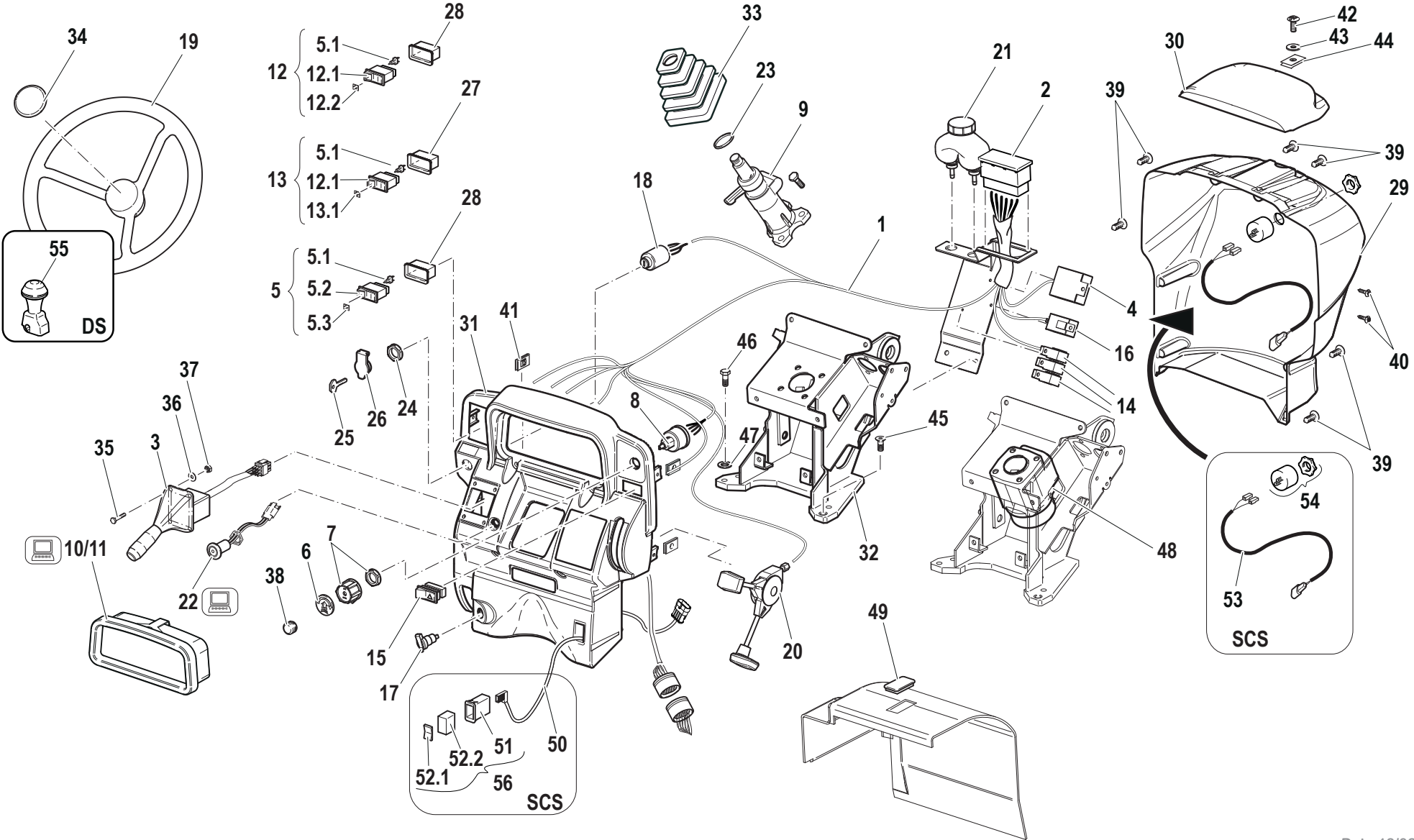
**DASHBOARD**  
Hp 75

CODE REV  
**B.07.01.L60007\_1**

# DASHBOARD

SERIAL START 917507 END 919904

B.07.01.L60007\_2



B.07.01.L60007\_2

Pos.	Code	Q.ty	Description	Notes
1	58079935	1	CABLE	
2	58170453	1	FUSE BOX	
3	58173345	1	STEERING COLUMN SWITCH UNIT	
4	58175700	1	SWITCHING CONTROL UNIT	
5	58176580	1	CHANGE-OVER SWITCH	
6	58176826	1	COVER	
7	58176834	1	KNOB	
8	58176853	1	SWITCH	
9	58177087	1	SMALL COLUMN	
10	58177142	1	INSTRUMENT	
11	58177143	1	INSTRUMENT	
12	58177266	1	CHANGE-OVER SWITCH	
13	58176578	1	CHANGE-OVER SWITCH	
14	59900242	3	RELAY	
15	F0825115010	1	PUSH-BUTTON	
16	F0825139000	1	FLASHER	
17	F0825403050	1	SOCKET	
18	F0825500200	1	CHANGE-OVER SWITCH	
19	F0865040000	1	STEERING WHEEL	
20	P238106000000	1	ACCELERATOR	
21	P238176000000	1	TANK	
22	58176593	1	SWITCH	
23	56177086	1	CENTERING	
24	F0825500210	1	RING NUT	
25	F0825500220	1	KEY	
26	F0825400060	1	COVER	
27	58175162	1	CHANGE-OVER SWITCH HOLDER	
28	58170376	2	TERMINAL FOR SWITCH	
29	57376301	1	DASHBOARD	
30	57376302	1	COVER	
31	55276300	1	INSTRUMENT PANEL	
32	59077017	1	SUPPORT	
33	P238105000000	1	BELLOWS	
34	F0865040020	1	PLUG	

SERIAL  
START  
**917507**

END  
**919904**

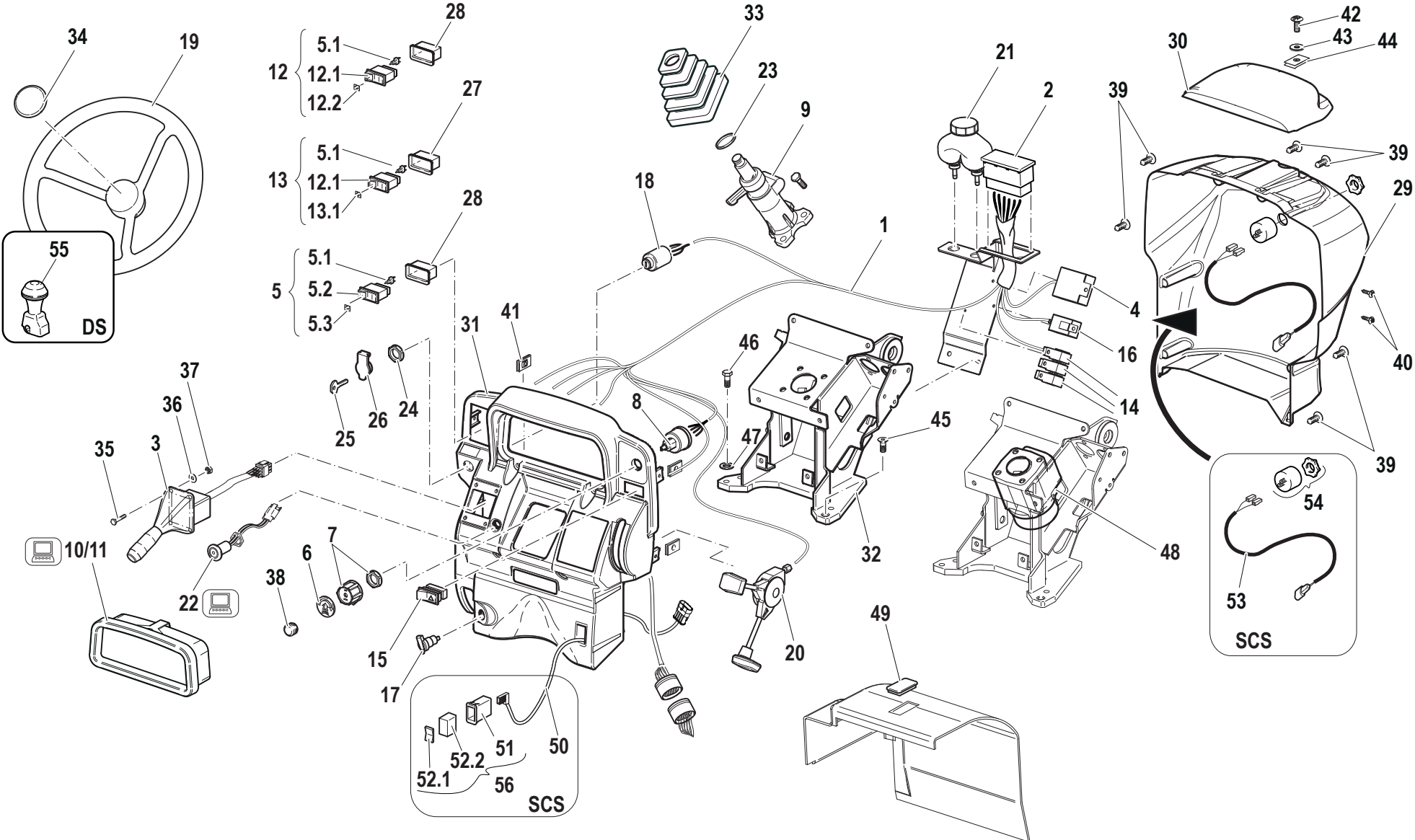
**DASHBOARD**  
Hp 75

CODE REV  
**B.07.01.L60007\_2**

# DASHBOARD

SERIAL START 917507 END 919904

B.07.01.L60007\_2



B.07.01.L60007\_2

Pos.	Code	Q.ty	Description	Notes
35	31111084	4	SCREW TE M4X16 UNI 5739 8G	
36	F0843526000	4	WASHER 4,3x12/1,5	
37	31211040	4	NUT M4	
38	58177657	1	PLUG	
39	31510053	6	RIBBED SCREW TC 4,8X32	
40	31510096	4	RIBBED SCREW 4,2X16	
41	58173767	4	SMALL PLATE	
42	58177426	1	SCREW	
43	58177424	1	WASHER	
44	58177425	1	SPRING	
45	31133600	1	SCREW TSVEI M10X25 U5933	
46	31112219	3	SCREW TE M10X25 UNI 5739	
47	F0843755000	3	WASHER 10	
48	58178954	1	HYDROSTEERING	
49	58177604	1	PLUG	
50	580A0127	1	CABLE	97-08
51	581A0739	1	ADAPTER PART	097-08
53	58079278	1	CABLE	
54	58035255	1	BUZZER	
55	58178958	1	HANDLE	
56	59901429	1	INTERRUTTORE COMPLETO SCS	097-08
5.1	58173119	3	PILOT LIGHT 12V	
5.2	58176581	1	SWITCH	
5.3	58173121	1	GLASS	
12.1	58177268	2	CHANGE-OVER SWITCH	
12.2	58173120	1	GLASS	
13.1	58176579	1	GLASS	
52.1	581A0128	1	SWITCH	97-08
52.2	581A0129	1	TASTO 0011.0659	97-08

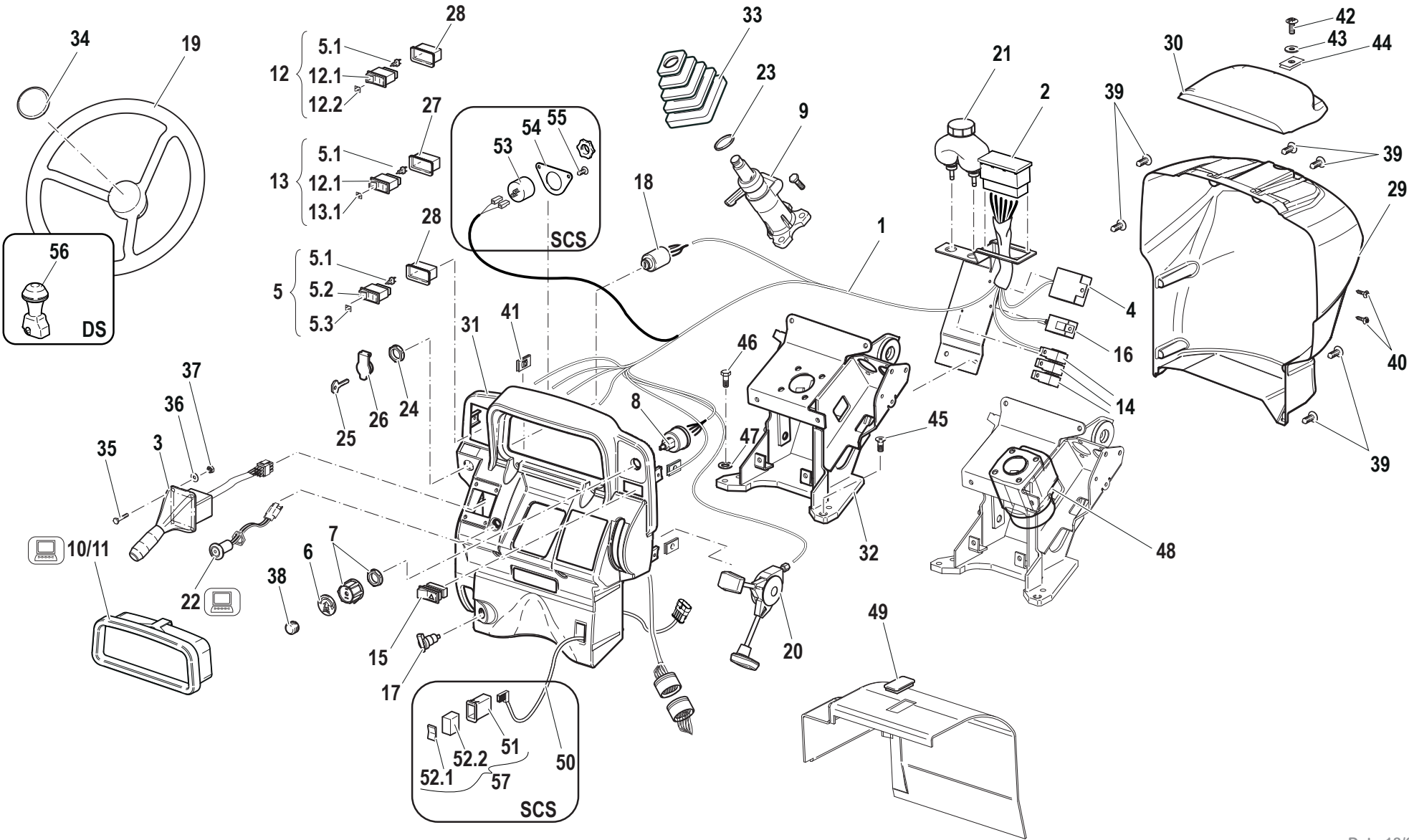
SERIAL  
START  
**917507**

END  
**919904**

**DASHBOARD**  
Hp 75

CODE REV  
**B.07.01.L60007\_2**

DASHBOARD





Pos.	Code	Q.ty	Description	Notes
1	580A0946	1	CABLE	176-09
2	58170453	1	FUSE BOX	
3	58173345	1	STEERING COLUMN SWITCH UNIT	
4	58175700	1	SWITCHING CONTROL UNIT	
5	58176580	1	CHANGE-OVER SWITCH	
6	58176826	1	COVER	
7	58176834	1	KNOB	
8	58176853	1	SWITCH	
9	58177087	1	SMALL COLUMN	
10	58177142	1	INSTRUMENT	
11	58177143	1	INSTRUMENT	
12	58177266	1	CHANGE-OVER SWITCH	
13	58176578	1	CHANGE-OVER SWITCH	
14	59900242	3	RELAY	
15	F0825115010	1	PUSH-BUTTON	
16	F0825139000	1	FLASHER	
17	F0825403050	1	SOCKET	
18	F0825500200	1	CHANGE-OVER SWITCH	
19	F0865040000	1	STEERING WHEEL	
20	P238106000000	1	ACCELERATOR	
21	P238176000000	1	TANK	
22	58176593	1	SWITCH	
23	56177086	1	CENTERING	
24	F0825500210	1	RING NUT	
25	F0825500220	1	KEY	
26	F0825400060	1	COVER	
27	58175162	1	CHANGE-OVER SWITCH HOLDER	
28	58170376	2	TERMINAL FOR SWITCH	
29	57376301	1	DASHBOARD	
30	57376302	1	COVER	
31	55276300	1	INSTRUMENT PANEL	
32	59077017	1	SUPPORT	
33	P238105000000	1	BELLOWS	
34	F0865040020	1	PLUG	

SERIAL  
START  
**919905**

**DASHBOARD**

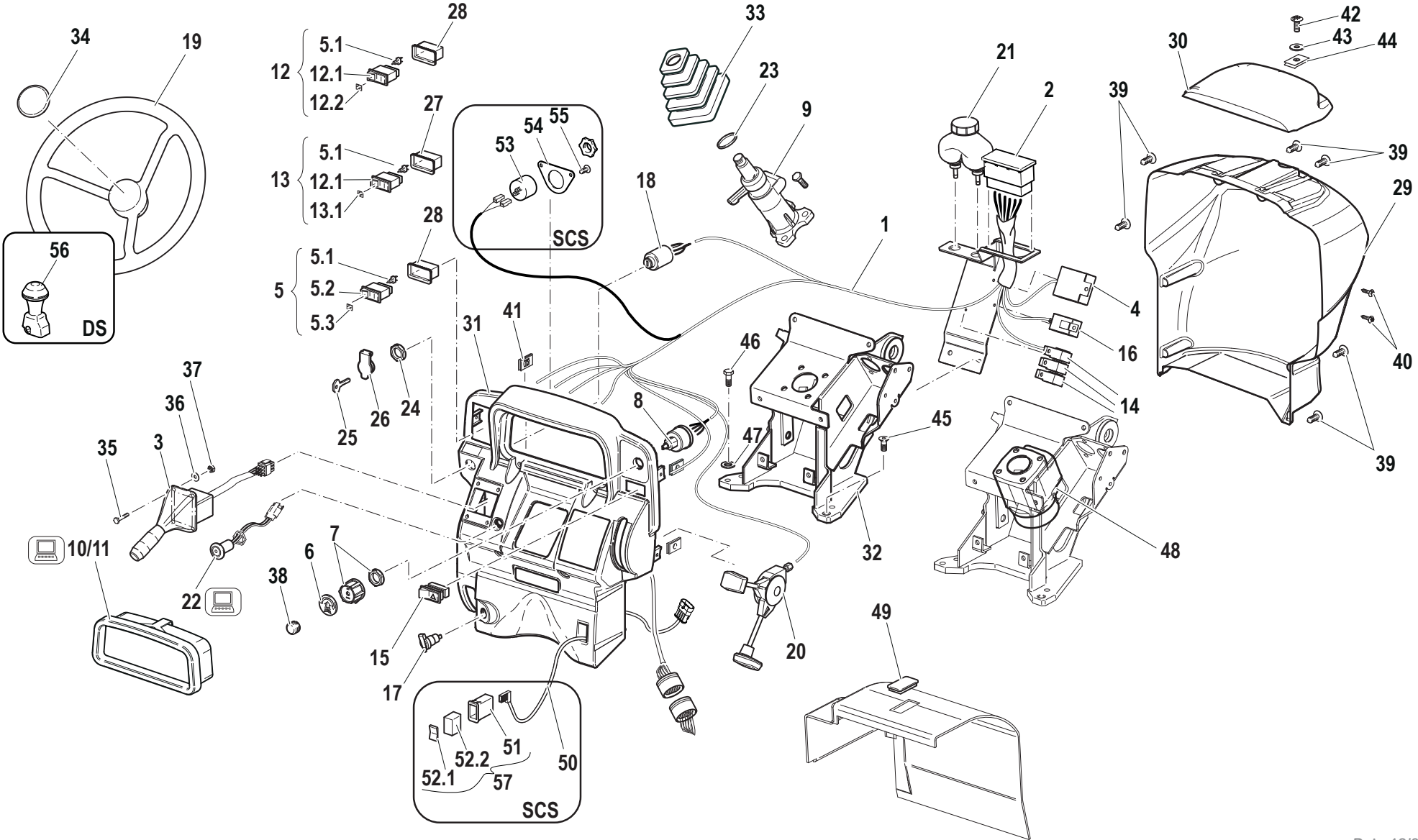
Hp 75

CODE REV

**B.07.01.L60007\_3**

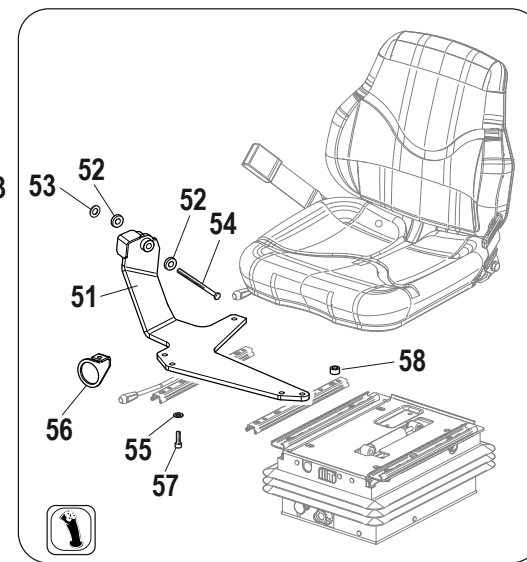
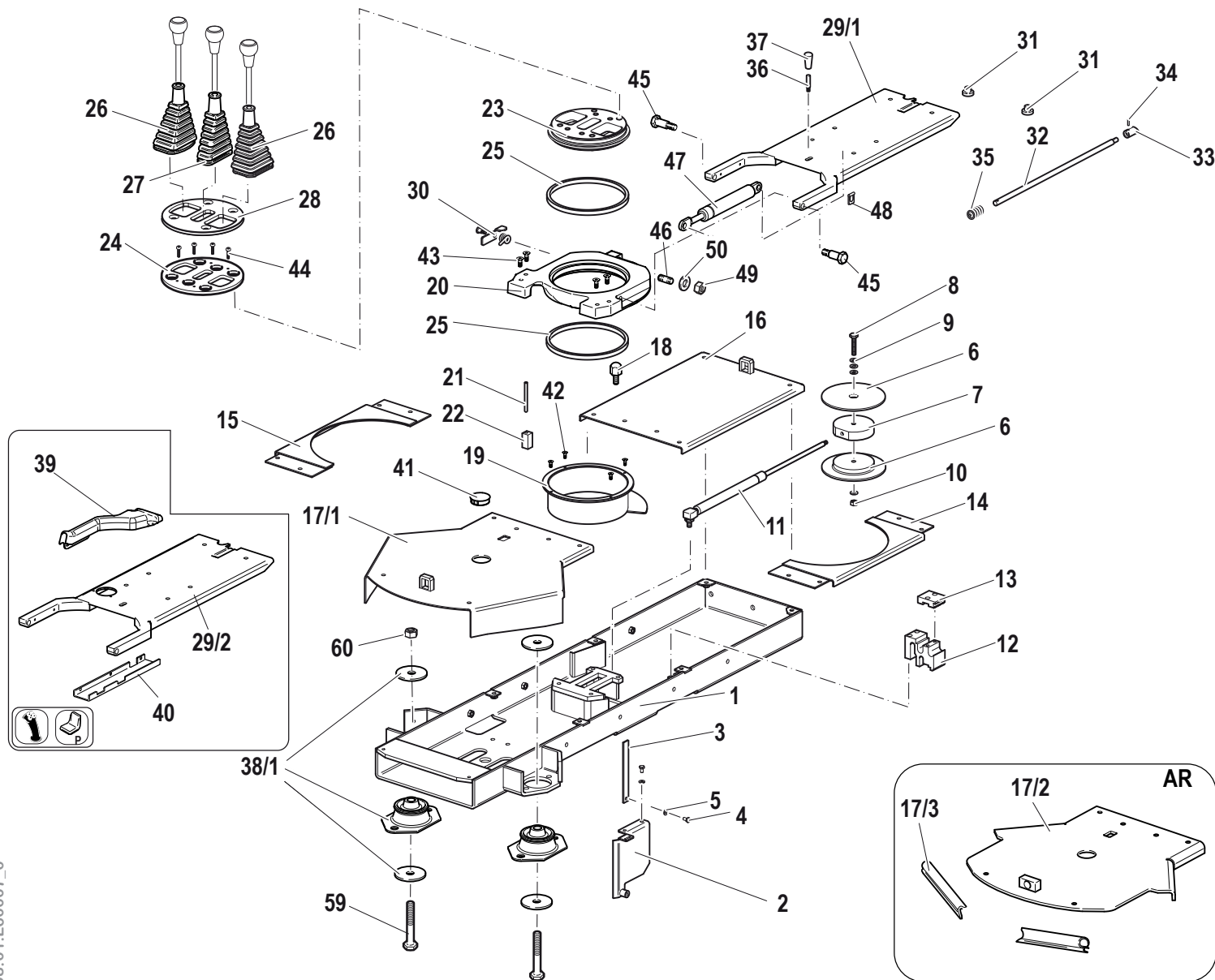
# DASHBOARD


SERIAL START 919905




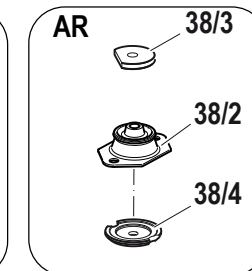
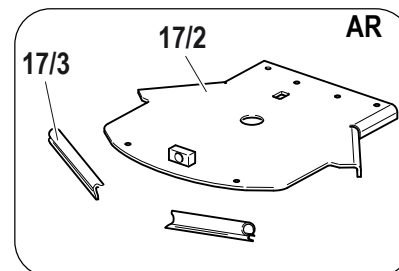
B.07.01.L60007\_3

Pos.	Code	Q.ty	Description	Notes
35	31111084	4	SCREW TE M4X16 UNI 5739 8G	
36	F0843526000	4	WASHER 4,3x12/1,5	
37	31211040	4	NUT M4	
38	58177657	1	PLUG	
39	31510053	6	RIBBED SCREW TC 4,8X32	
40	31510096	4	RIBBED SCREW 4,2X16	
41	58173767	4	SMALL PLATE	
42	58177426	1	SCREW	
43	58177424	1	WASHER	
44	58177425	1	SPRING	
45	31133600	1	SCREW TSVEI M10X25 U5933	
46	31112219	3	SCREW TE M10X25 UNI 5739	
47	F0843755000	3	WASHER 10	
48	58178954	1	HYDROSTEERING	
49	58177604	1	PLUG	
50	580A0127	1	CABLE	
51	581A0739	1	ADAPTER PART	
53	58035255	1	BUZZER	
54	561A0948	1	FIXING PLATE	
55	F0861831000	2	RIBBED SCREW 4,8X13 UNI 6950	
56	58178958	1	HANDLE	
57	59901429	1	INTERRUTTORE COMPLETO SCS	
5.1	58173119	3	PILOT LIGHT 12V	
5.2	58176581	1	SWITCH	
5.3	58173121	1	GLASS	
12.1	58177268	2	CHANGE-OVER SWITCH	
12.2	58173120	1	GLASS	
13.1	58176579	1	GLASS	
52.1	581A0129	1	TASTO 0011.0659	
52.2	581A0128	1	SWITCH	




 APPLICAZIONE JOYSTICK  
 JOYSTICK EQUIPMENT  
 JOYSTICK AUSRUESTUNG  
 EQUIPEMENT JOYSTICK  
 DOTACION JOYSTICK


 APPLICAZIONE SEDILE PNEUMATICO  
 PNEUMATIC SEAT EQUIPMENT  
 LUFTFEDERUNGSITZ AUSRUESTUNG  
 EQUIPEMENT SIEGE PNEUMATIQUE  
 DOTACION ASIENTO NEUMATICO



Pos.	Code	Q.ty	Description	Notes
1	59076467	1	BOX	
2	59077410	1	BRACKET	
3	56176472	1	SMALL PLATE	
4	31112082	3	SCREW TE M6X12 UNI 5739 8G	
5	F0843570000	3	WASHER 6	
6	57376149	2	PULLEY	
7	57374491	1	PULLEY	
8	31112160	1	SCREW TE M8X55 UNI 5737 8G	
9	31411084	2	WASHER 8,4x17	
10	31241081	1	HEXAGON SELFLOCK NUT	
11	58174555	1	SPRING	
12	53076150	1	SMALL BLOCK	
13	56176151	1	COVER	
14	59076468V	1	COVER	
15	59076469V	1	COVER	
16	59076470V	1	REAR COVER	
18	56177976	1	SCREW	
19	59076139	1	CHAIN PULLEY	
20	51176129V	1	TURRET	
21	56177419	1	PIN	
22	56177420	1	SMALL BLOCK	
23	51176128	1	SUPPORT	
24	56176130	1	FLANGE	
25	57376131	2	BEARING	
26	55176091	2	BELLOWS	
27	55176090	1	BELLOWS	
28	57377073	1	COVER	
30	59071241	1	STOP PLATE	
31	F0822537050	2	BUFFER	
32	56174463	1	ROD	
33	56374460	1	LOCKING BOLT	
34	34213018	1	ROLL PIN	
35	58070390	1	SEAT SPRINGS	
36	56174461	1	PIN	

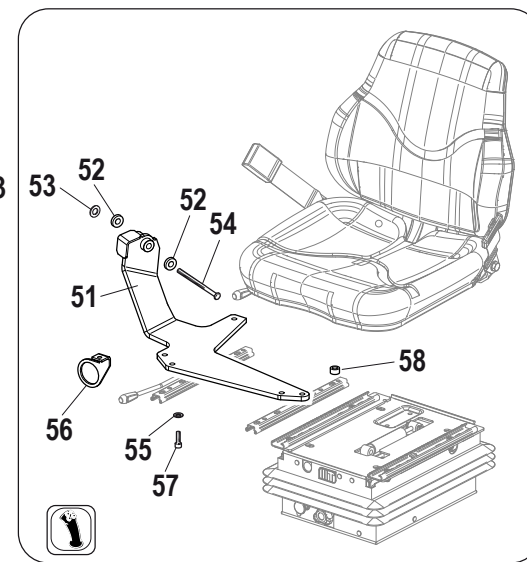
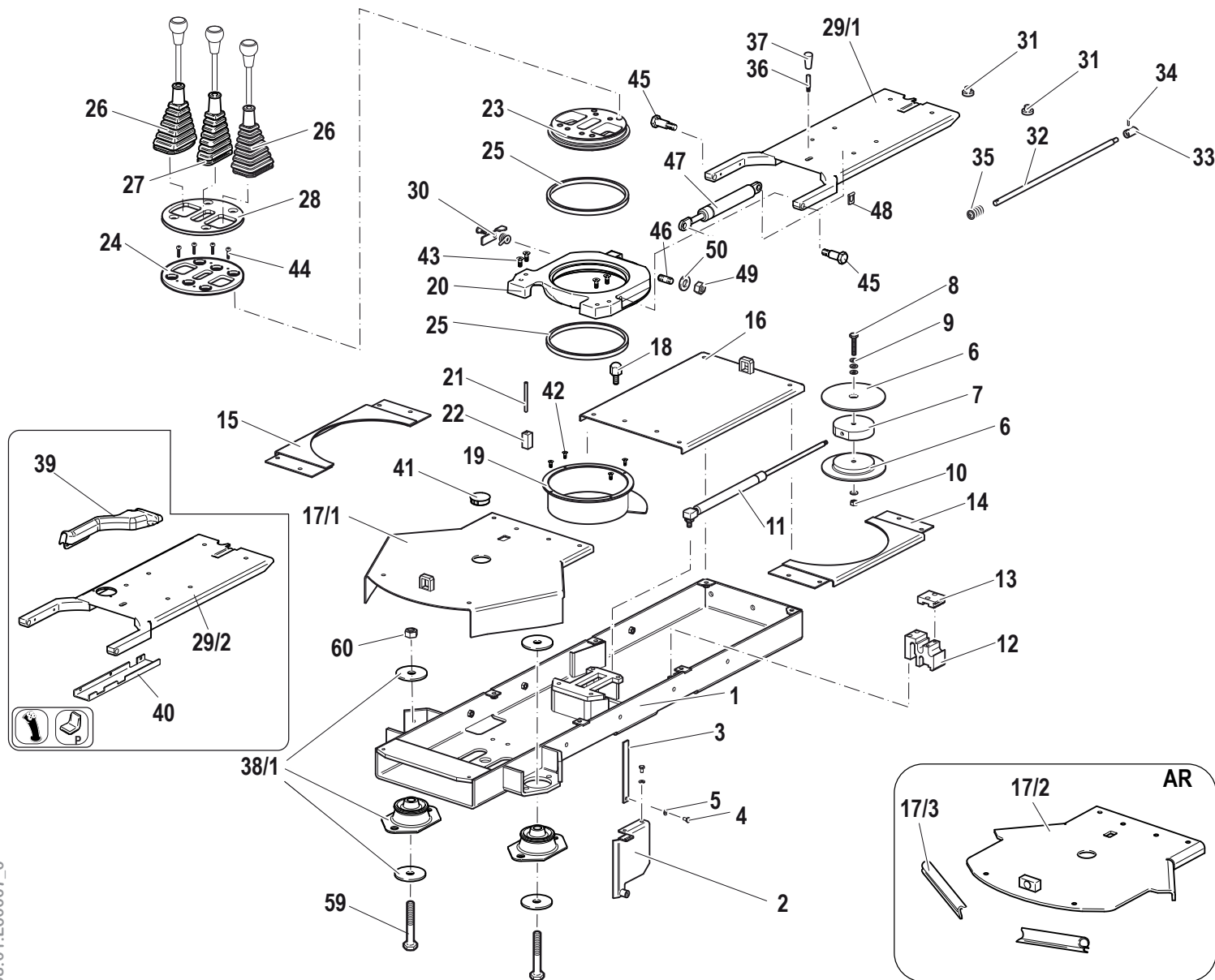
SERIAL


**SEAT SUPPORT / GEAR LEVERS COVER**


Hp 75

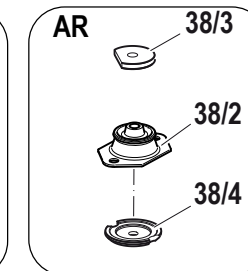
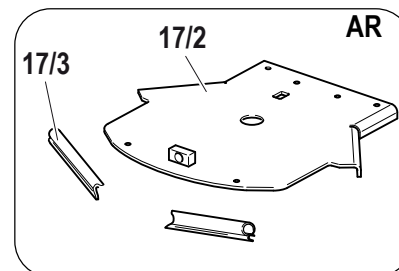
CODE REV

**B.08.01.L60007\_0**




 APPLICAZIONE JOYSTICK  
 JOYSTICK EQUIPMENT  
 JOYSTICK AUSRUESTUNG  
 EQUIPEMENT JOYSTICK  
 DOTACION JOYSTICK


 APPLICAZIONE SEDILE PNEUMATICO  
 PNEUMATIC SEAT EQUIPMENT  
 LUFTFEDERUNGSITZ AUSRUESTUNG  
 EQUIPEMENT SIEGE PNEUMATIQUE  
 DOTACION ASIEN TO NEUMATICO



Pos.	Code	Q.ty	Description	Notes
37	F0837521000	1	GRIP	
39	57377408	1	COVER	
40	59077747	1	CABLE BARRIER RAIL	
41	58177547	1	PLUG	
42	31132440	4	SCREW TSVEI M4X10 UNI 5933	
43	F0863464010	4	SCREW M10X50 UNI 5933	
44	F0861928050	4	SCREW M5X12 ISO 7380	
45	56274487	2	SPECIAL SCREW	
46	F0838131000	1	STUD BOLT	
47	58176235	1	SPRING	
48	58170436	1	CLIP	
49	31241081	1	HEXAGON SELFLOCK NUT	
50	31411084	1	WASHER 8,4x17	
51	59077752	1	RETAINER	
52	58177503	2	WASHER	
53	31241101	1	SELFLOCK NUT M10	
54	F0863566000	1	SCREW M10x70 UNI 5737	
55	31411105	2	WASHER 10,5x21	
56	56179891	1	FIXING BRACKET	
57	31152081	4	SCREW TCEI M8X20 UNI 5931	
58	56170364	1	SPACER	
59	31112294	2	SCREW TE M12X85 UNI 5737	
60	31221120	2	NUT M12	
17/1	59076471V	1	FRONT COVER	
17/2	59077384V	1	FRONT COVER	
17/3	P000000260007	1	GASKET	
29/1	59076132V	1	SEAT SUPPORT	
29/2	59077402V	1	SEAT SUPPORT	
38/1	58176233	2	SILENT-BLOCK	
38/2	58177749	4	SILENT-BLOCK	
38/3	56177223	4	STOP	
38/4	56177222	2	STOP	

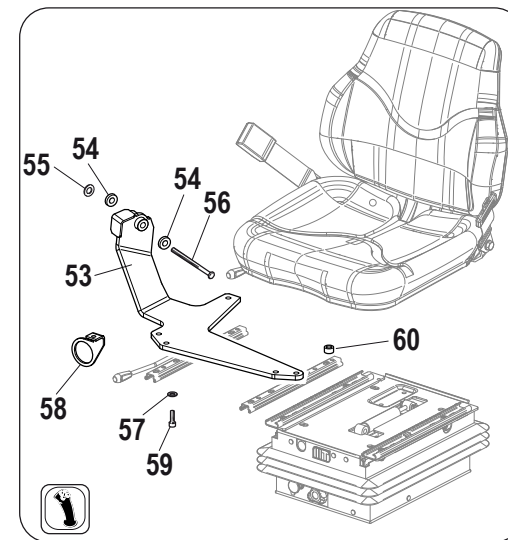
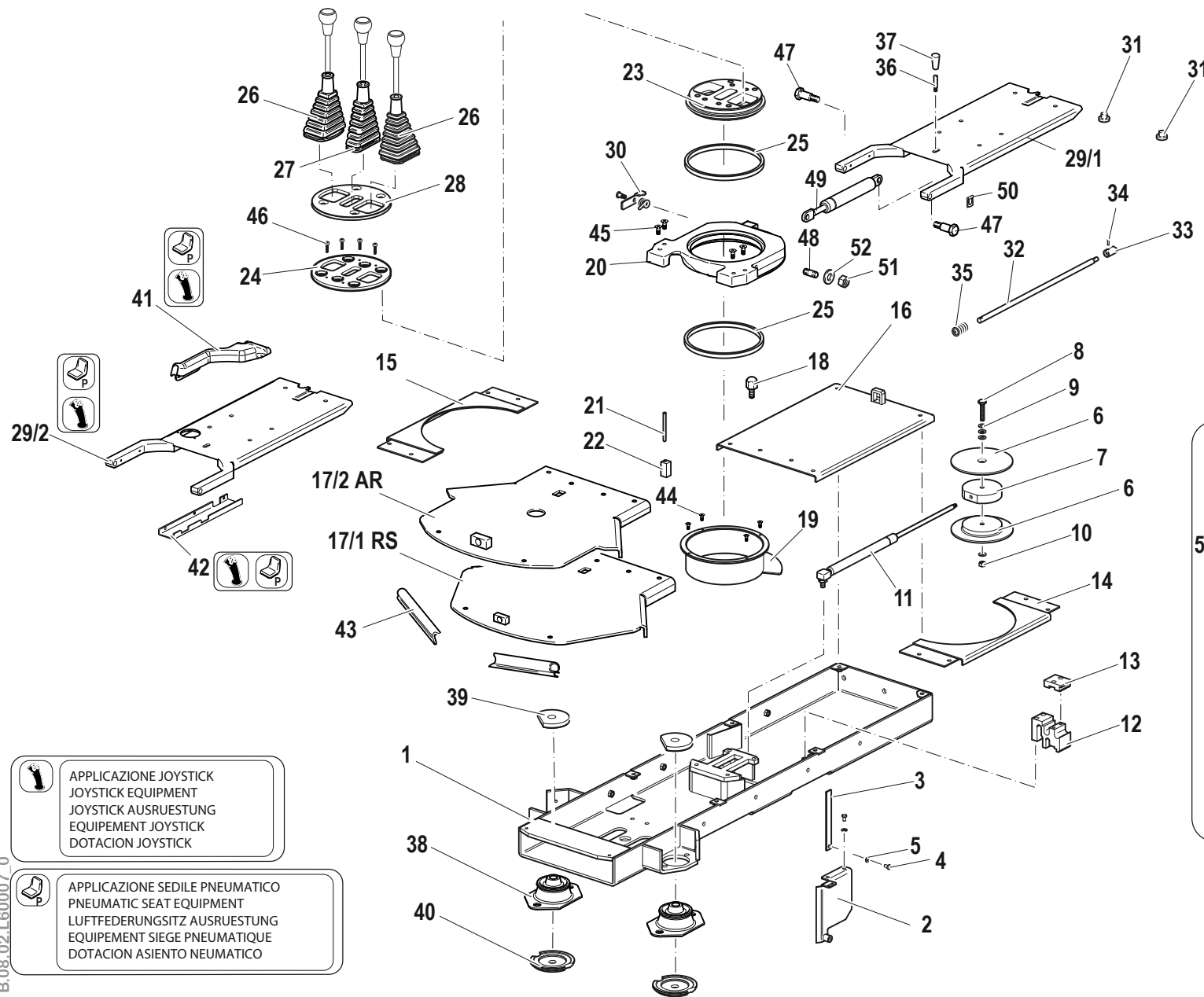
SERIAL


**SEAT SUPPORT / GEAR LEVERS COVER**


Hp 75

CODE REV

**B.08.01.L60007\_0**



 APPLICAZIONE JOYSTICK  
 JOYSTICK EQUIPMENT  
 JOYSTICK AUSRUESTUNG  
 EQUIPEMENT JOYSTICK  
 DOTACION JOYSTICK

 APPLICAZIONE SEDILE PNEUMATICO  
 PNEUMATIC SEAT EQUIPMENT  
 LUFTFEDERUNGSITZ AUSRUESTUNG  
 EQUIPEMENT SIEGE PNEUMATIQUE  
 DOTACION ASIENTO NEUMATICO

B.08.02.L60007\_0



Pos.	Code	Q.ty	Description	Notes
1	59076467	1	BOX	
2	59077410	1	BRACKET	
3	56176472	1	SMALL PLATE	
4	31112082	3	SCREW TE M6X12 UNI 5739 8G	
5	F0843570000	3	WASHER 6	
6	57376149	2	PULLEY	
7	57374491	1	PULLEY	
8	31112160	1	SCREW TE M8X55 UNI 5737 8G	
9	31411084	2	WASHER 8,4x17	
10	F0814585000	1	SELFLOCK NUT	
11	58174555	1	SPRING	
12	53076150	1	SMALL BLOCK	
13	56176151	1	COVER	
14	59076468V	1	COVER	
15	59076469V	1	COVER	
16	59076470V	1	REAR COVER	
18	56177976	1	SCREW	
19	59076139	1	CHAIN PULLEY	
20	51176129V	1	TURRET	
21	56177419	1	PIN	
22	56177420	1	SMALL BLOCK	
23	51176128	1	SUPPORT	
24	56176130	1	FLANGE	
25	57376131	2	BEARING	
26	55176091	2	BELLOWS	
27	55176090	1	BELLOWS	
28	57377073	1	COVER	
30	59071241	1	STOP PLATE	
31	F0822537050	2	BUFFER	
32	56174463	1	ROD	
33	56374460	1	LOCKING BOLT	
34	34213018	1	ROLL PIN	
35	58070390	1	SEAT SPRINGS	
36	56174461	1	PIN	

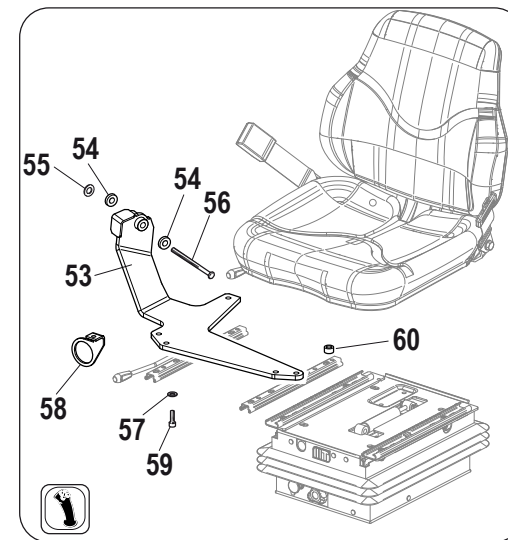
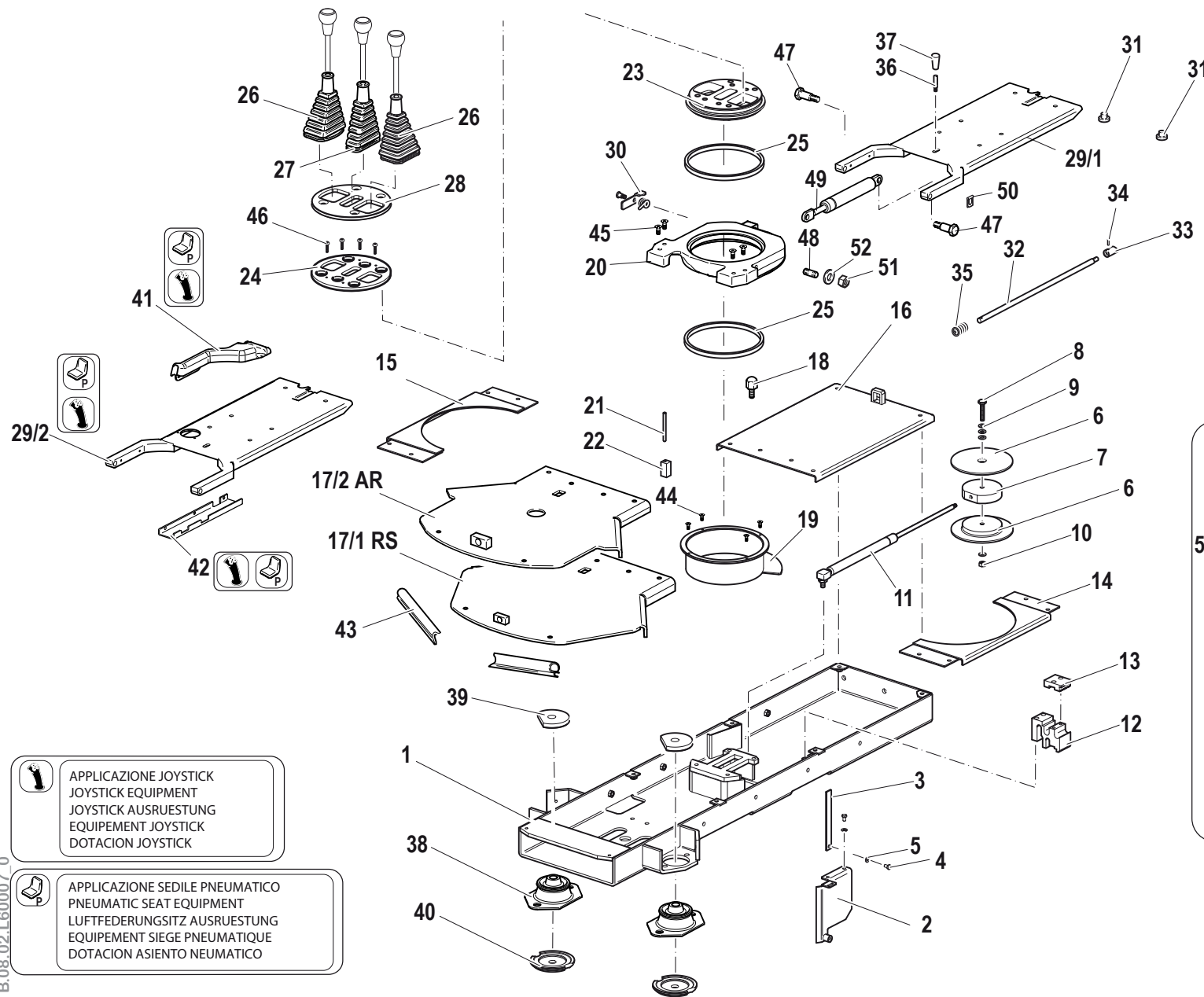
SERIAL


**SEAT SUPPORT / GEAR LEVERS COVER**


Hp 75

CODE REV

**B.08.02.L60007\_0**

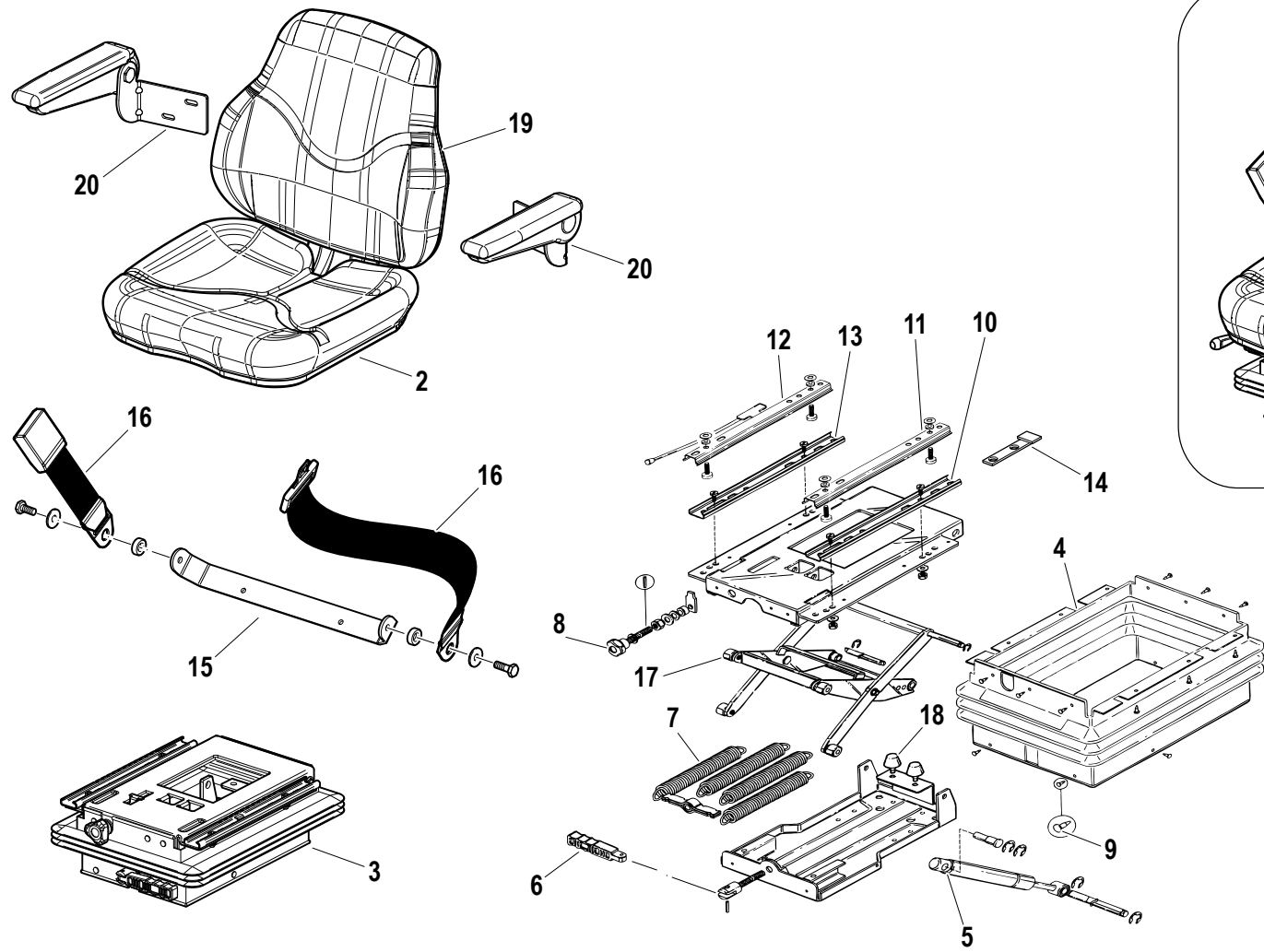



 APPLICAZIONE JOYSTICK  
 JOYSTICK EQUIPMENT  
 JOYSTICK AUSRÜSTUNG  
 EQUIPEMENT JOYSTICK  
 DOTACION JOYSTICK

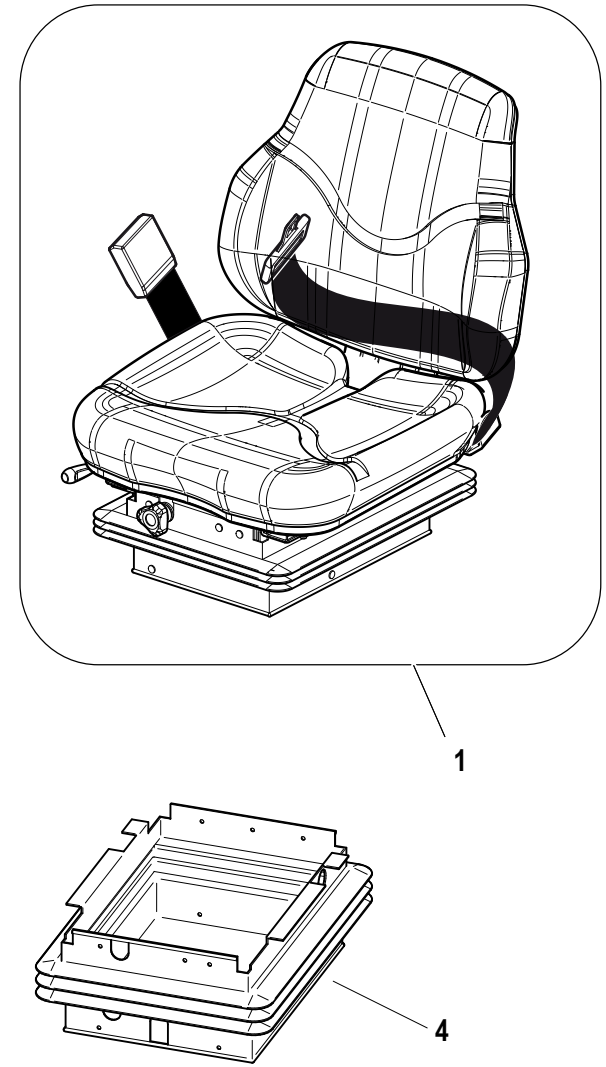
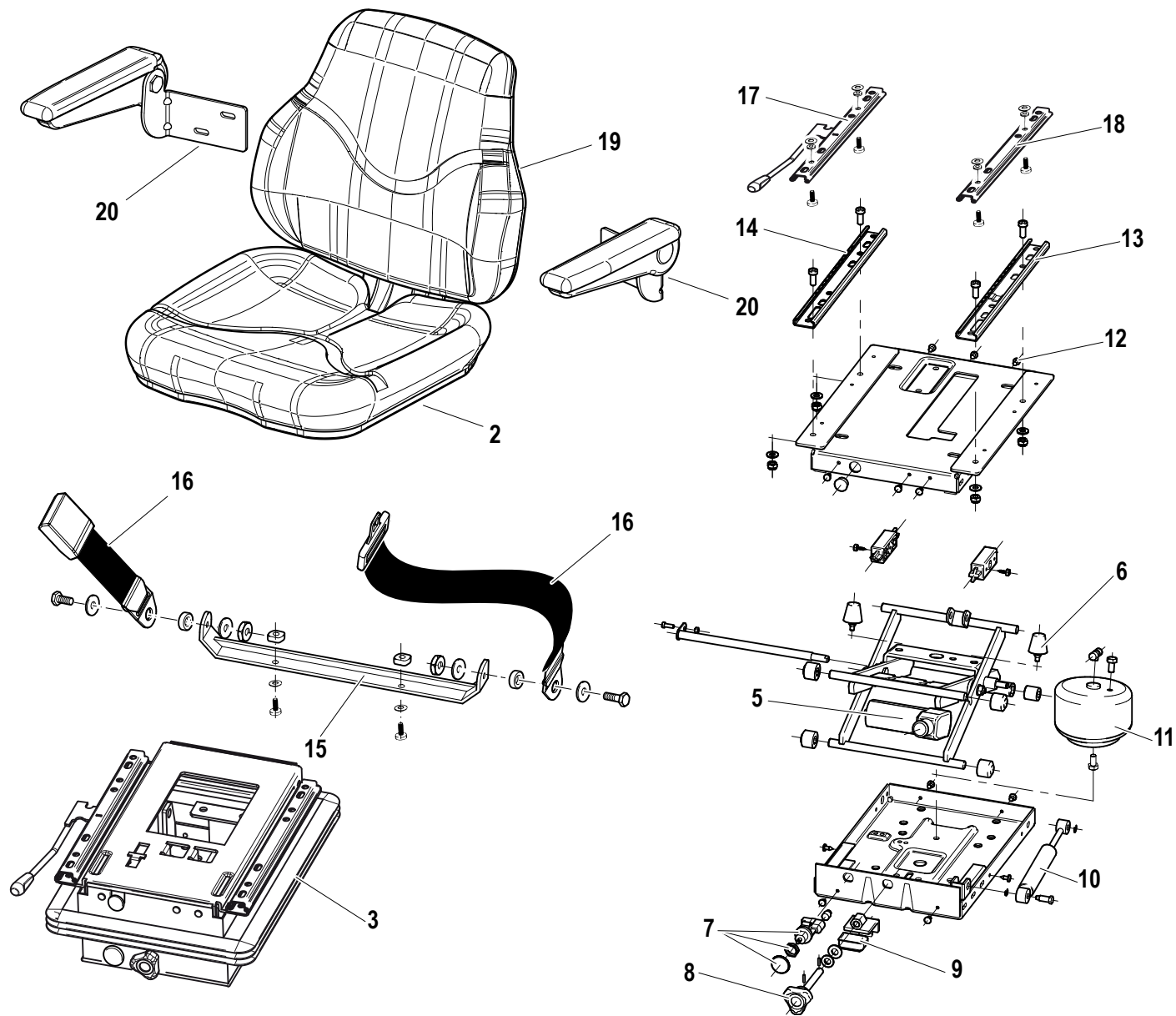

 APPLICAZIONE SEDILE PNEUMATICO  
 PNEUMATIC SEAT EQUIPMENT  
 LUFTFEDERUNGSSITZ AUSRÜSTUNG  
 EQUIPEMENT SIEGE PNEUMATIQUE  
 DOTACION ASIEN TO PNEUMATICO

B.08.02.L60007\_0

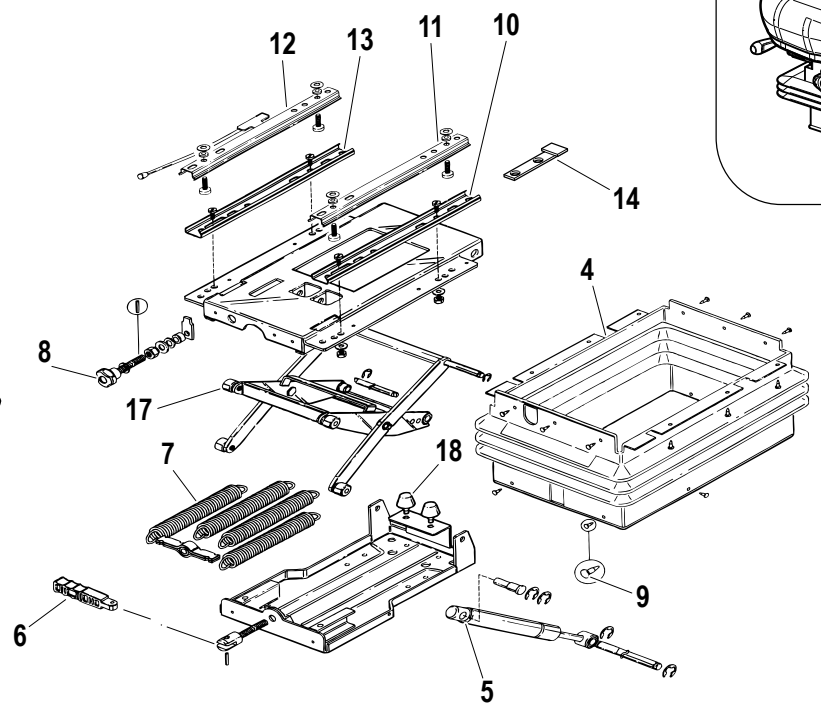
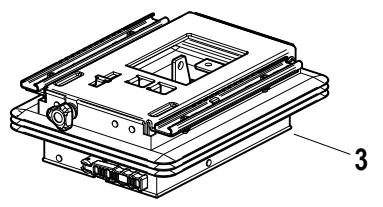
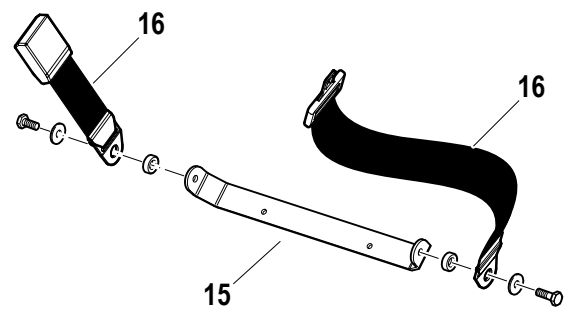
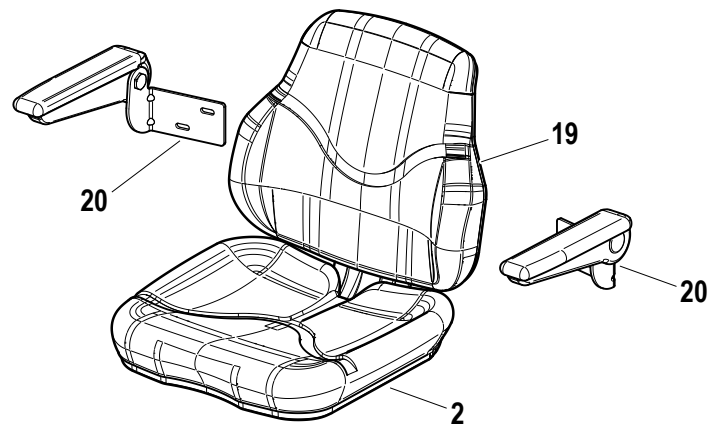
Pos.	Code	Q.ty	Description	Notes
37	F0837521000	1	GRIP	
38	58177749	2	SILENT-BLOCK	
39	56177224	2	STOP	
40	56177223	2	STOP	
41	57377408	1	COVER	
42	59077747	1	CABLE BARRIER RAIL	
43	P000000260007	0.78	GASKET	
44	31132440	4	SCREW TSVEI M4X10 UNI 5933	
45	F0863464010	4	SCREW M10X50 UNI 5933	
46	F0861928050	4	SCREW M5X12 ISO 7380	
47	56274487	2	SPECIAL SCREW	
48	F0838131000	1	STUD BOLT	
49	58176235	1	SPRING	
50	58170436	1	CLIP	
51	31241081	1	HEXAGON SELFLOCK NUT	
52	31411084	1	WASHER 8,4x17	
53	59077752	1	RETAINER	
54	58177503	2	WASHER	
55	31241101	1	SELFLOCK NUT M10	
56	F0863566000	1	SCREW M10x70 UNI 5737	
57	31411105	2	WASHER 10,5x21	
58	56179891	1	FIXING BRACKET	
59	31152081	4	SCREW TCEI M8X20 UNI 5931	
60	56170364	1	SPACER	
17/1	59077248V	1	FRONT COVER	
17/2	59077384V	1	FRONT COVER	
29/1	59076132V	1	SEAT SUPPORT	
29/2	59077402V	1	SEAT SUPPORT	



Pos.	Code	Q.ty	Description	Notes
20	58177380	1	SMALL ARMS KIT	
1	58177724	1	SEAT	
16	58192377	1	SAFETY BELT	
14	59071241	1	STOP PLATE	
13	59900152	1	LOWER GUIDE	
8	59900153	1	KNOB	
7	59900154	4	SPRING	
6	59900155	1	LEVER	
5	59900156	1	SHOCKS ABSORBER	
10	59900157	1	LOWER GUIDE	
9	59900158	18	SCREW	
4	59900159	1	BELLOWS	
11	59900160	1	GUIDE	
12	59900161	1	GUIDE	
3	59901049	1	SUSPENSION	
19	59901057	1	BACKREST	
2	59901058	1	SEAT	
15	59901099	1	BRACKET	
17	59901100	1	BUSHING	
18	59901101	2	STOP BUFFER	

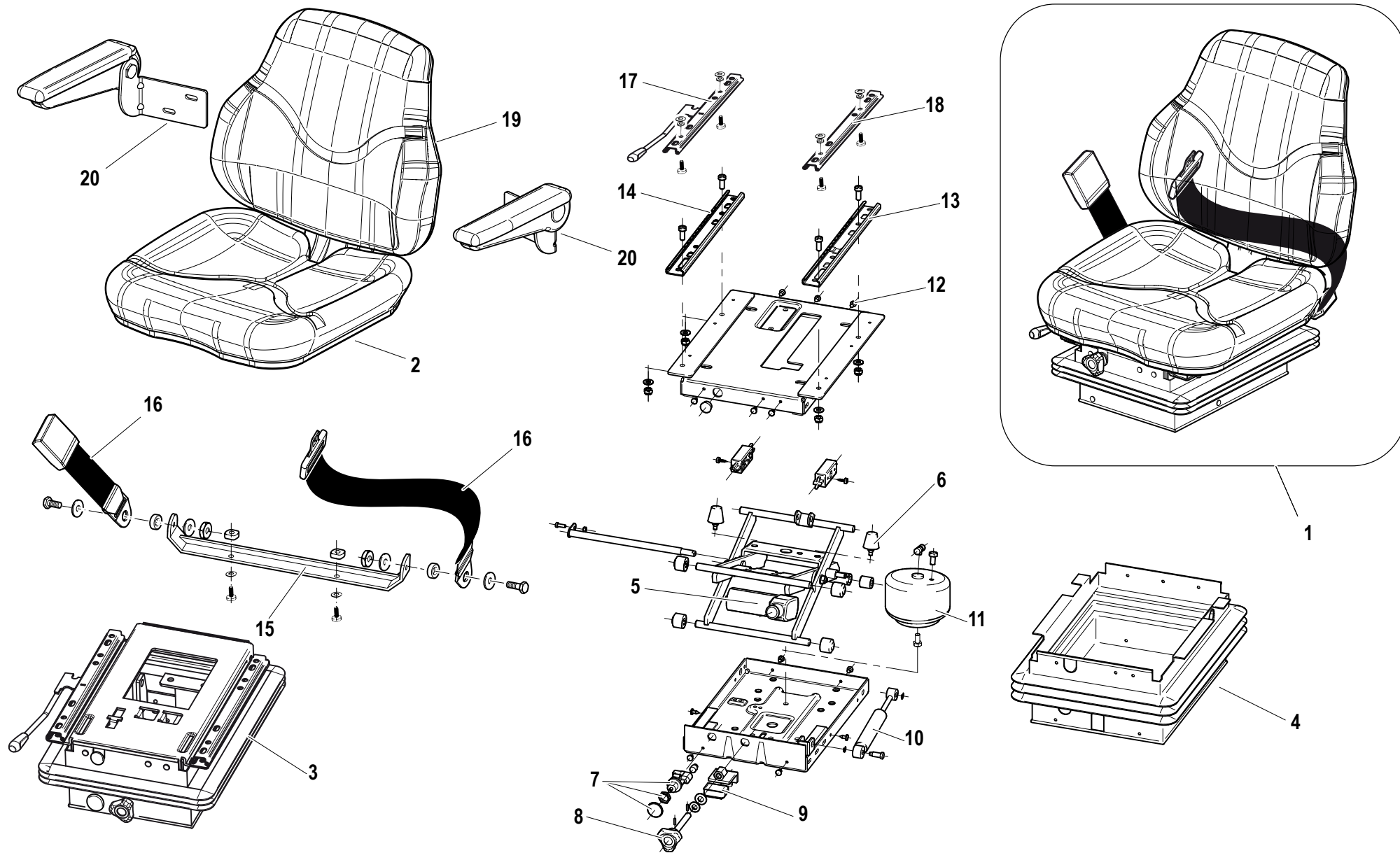


Pos.	Code	Q.ty	Description	Notes
1	58177726	1	SEAT	
2	59901058	1	SEAT	
3	59901056	1	SOSP.M97 C/REG.ALT. M5067.014	
4	59901102	1	BELLOWS	
5	59901103	1	KIT	
6	59901104	2	TAMPONE FINE CORSA (2011-320)	
7	59901105	1	SWITCH	
8	59901106	1	KNOB	
9	59901107	1	TAMPONE (2011-026)	
10	59901108	1	SHOCKS ABSORBER	
11	59901109	1	SPRING	
12	59900158	10	SCREW	
13	59900157	1	LOWER GUIDE	
14	59900152	1	LOWER GUIDE	
15	59901099	1	BRACKET	
16	58192377	1	SAFETY BELT	
17	59900160	1	GUIDE	
18	59900161	1	GUIDE	
19	59901057	1	BACKREST	
20	58177380	1	SMALL ARMS KIT	

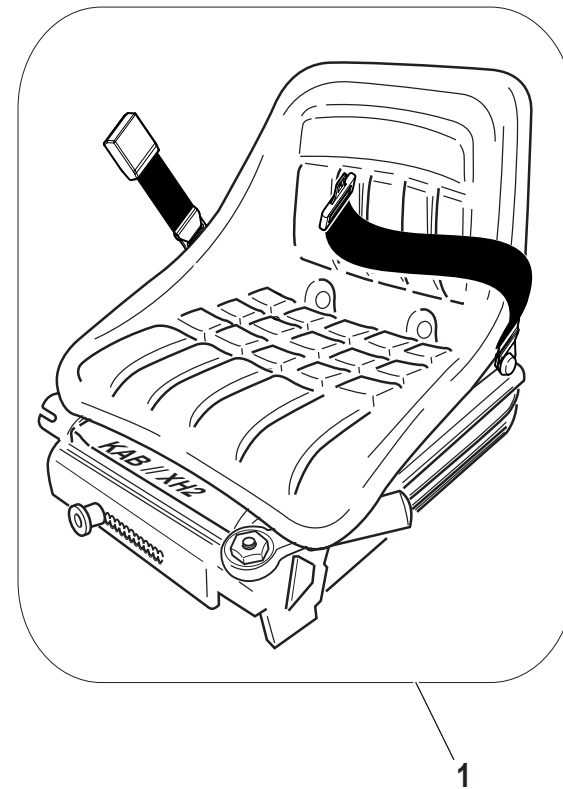
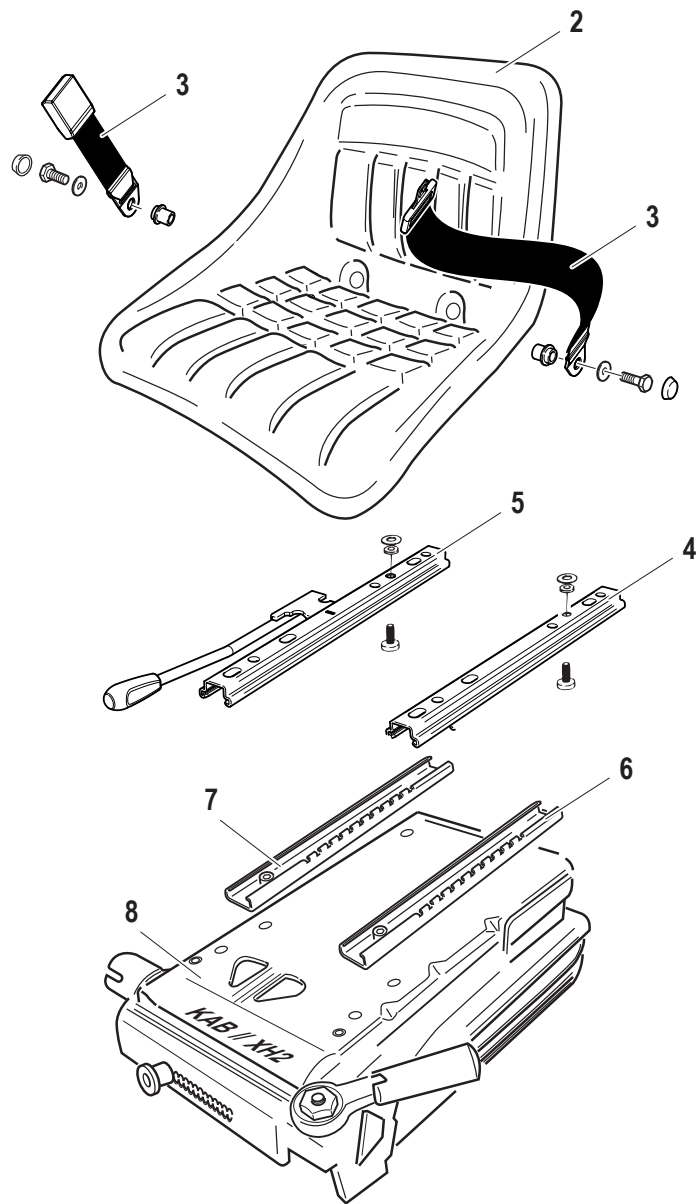




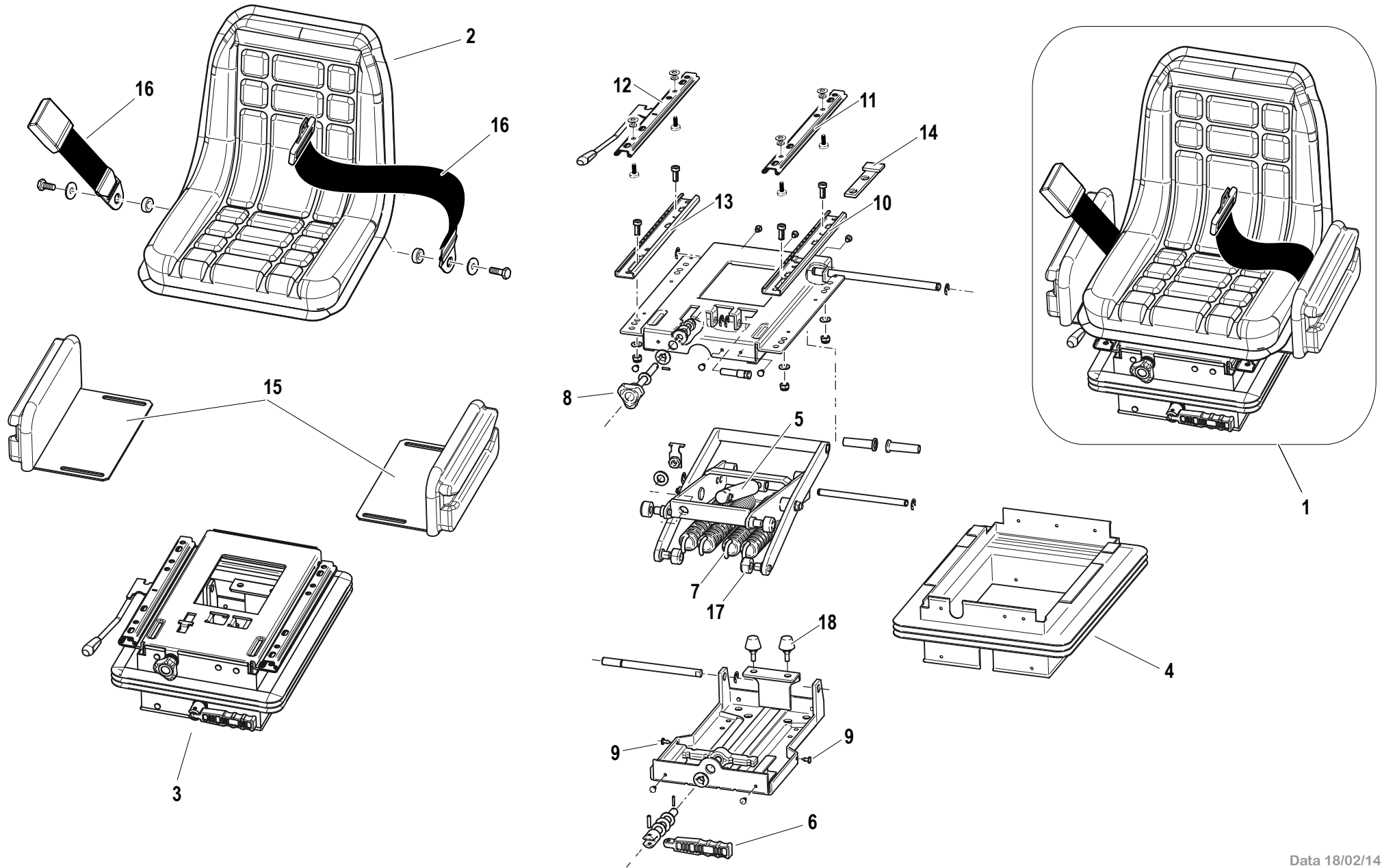
Pos.	Code	Q.ty	Description	Notes
1	58177727	1	SEAT	
2	59901060	1	SEAT CAVITY	
3	59901049	1	SUSPENSION	
4	59900159	1	BELLOWS	
5	59900156	1	SHOCKS ABSORBER	
6	59900155	1	LEVER	
7	59900154	4	SPRING	
8	59900153	1	KNOB	
9	59900158	18	SCREW	
10	59900157	1	LOWER GUIDE	
11	59900160	1	GUIDE	
12	59900161	1	GUIDE	
13	59900152	1	LOWER GUIDE	
14	59071241	1	STOP PLATE	
15	59901099	1	BRACKET	
16	58192377	1	SAFETY BELT	
17	59901100	1	BUSHING	
18	59901101	1	STOP BUFFER	
19	59901059	1	BACKREST	
20	58177380	1	SMALL ARMS KIT	



Pos.	Code	Q.ty	Description	Notes
1	58177725	1	SEAT	
2	59901060	1	SEAT CAVITY	
3	59901056	1	SOSP.M97 C/REG.ALT. M5067.014	
4	59901102	1	BELLOWS	
5	59901103	1	KIT	
6	59901104	2	TAMPONE FINE CORSA (2011-320)	
7	59901105	1	SWITCH	
8	59901106	1	KNOB	
9	59901107	1	TAMPONE (2011-026)	
10	59901108	1	SHOCKS ABSORBER	
11	59901109	1	SPRING	
12	59900158	10	SCREW	
13	59900157	1	LOWER GUIDE	
14	59900152	1	LOWER GUIDE	
15	59901099	1	BRACKET	
16	58192377	1	SAFETY BELT	
17	59900160	1	GUIDE	
18	59900161	1	GUIDE	
19	59901059	1	BACKREST	
20	58177380	1	SMALL ARMS KIT	



Pos.	Code	Q.ty	Description	Notes
1	59900200	1	SEAT	
2	F0150036215	1	SEAT CAVITY	
3	58192377	1	SAFETY BELT	
4	59900160	1	GUIDE	
5	59900161	1	GUIDE	
6	59900157	1	LOWER GUIDE	
7	59900152	1	LOWER GUIDE	
8	F0150036219	1	SPRING	

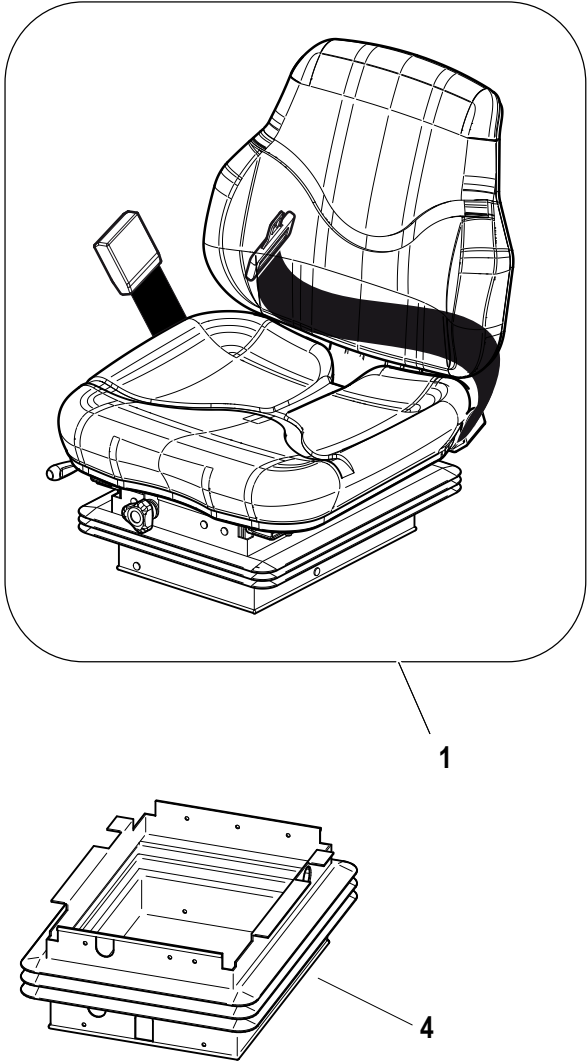
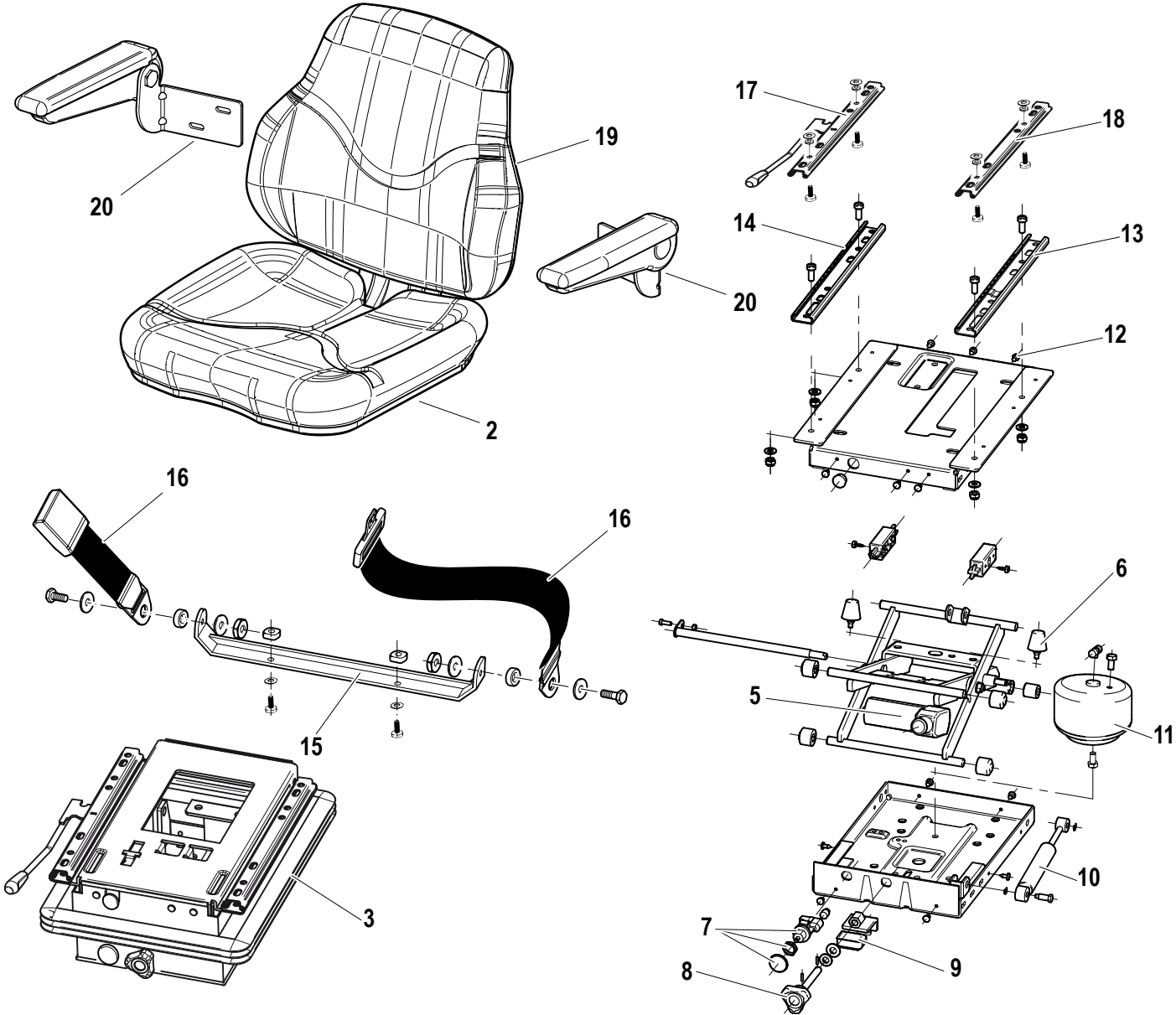


Pos.	Code	Q.ty	Description	Notes
1	58177721	1	SEAT	
2	59901050	1	SEAT	
3	59901049	1	SUSPENSION	
4	59900159	1	BELLOWS	
5	59900156	1	SHOCKS ABSORBER	
6	59900155	1	LEVER	
7	59900154	4	SPRING	
8	59900153	1	KNOB	
9	59900158	18	SCREW	
10	59900157	1	LOWER GUIDE	
11	59900160	1	GUIDE	
12	59900161	1	GUIDE	
13	59900152	1	LOWER GUIDE	
14	59071241	1	STOP PLATE	
15	58171239	2	SIDE PANEL	
16	58192377	1	SAFETY BELT	
17	59901100	2	BUSHING	
18	59901101	2	STOP BUFFER	
19	56079702	1	SPACER	

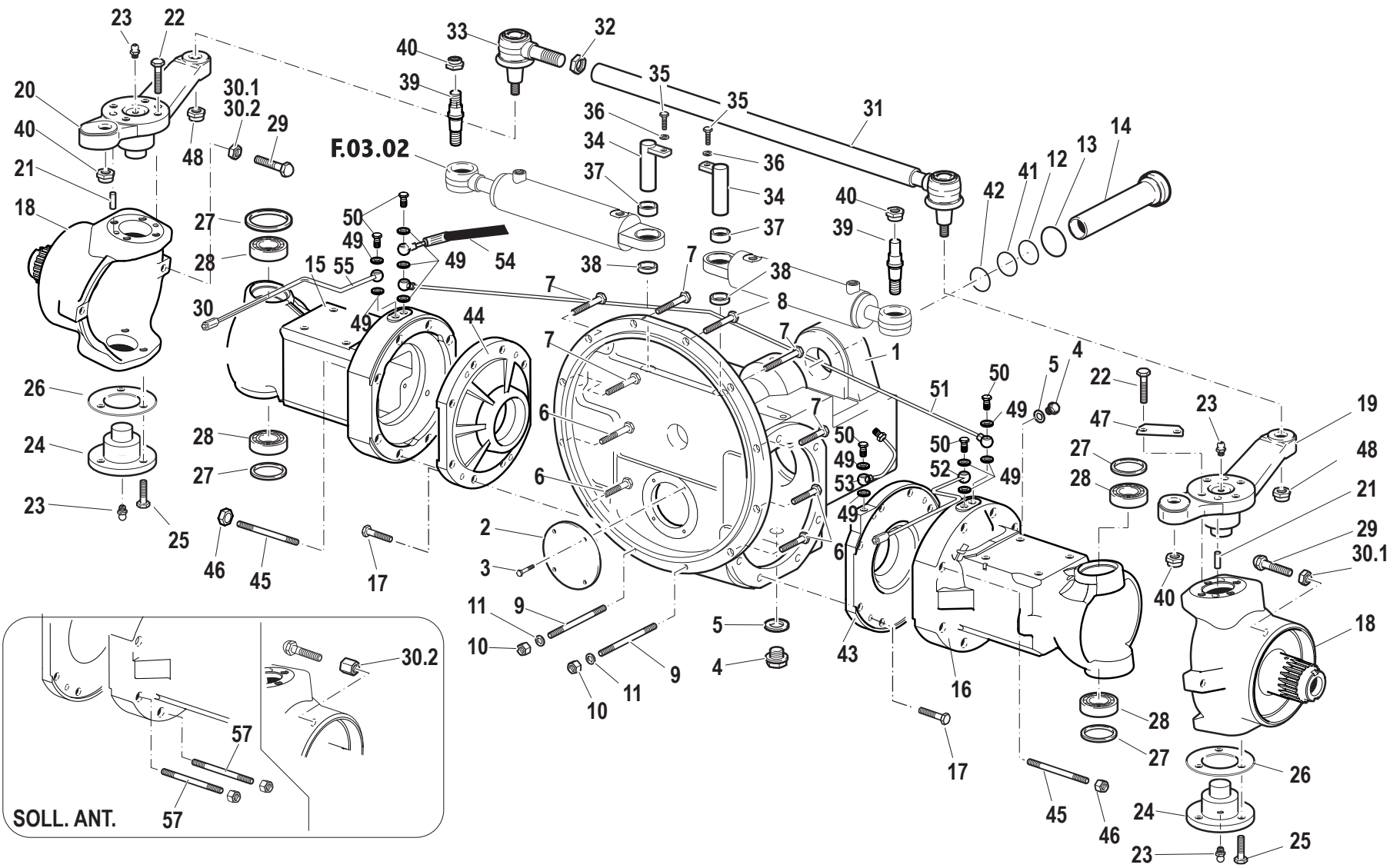




Pos.	Code	Q.ty	Description	Notes
1	58177724		SEAT	
2	59901058		SEAT	
3	59901049		SUSPENSION	
4	59900159	1	BELLOWS	
5	59900156	1	SHOCKS ABSORBER	
6	59900155	1	LEVER	
7	59900154	4	SPRING	
8	59900153	1	KNOB	
9	59900158	18	SCREW	
10	59900157	1	LOWER GUIDE	
11	59900160	1	GUIDE	
12	59900161	1	GUIDE	
13	59900152	1	LOWER GUIDE	
14	59071241	1	STOP PLATE	
15	59901099	1	BRACKET	
16	58192377	1	SAFETY BELT	
17	59901100	1	BUSHING	
18	59901101	2	STOP BUFFER	
19	59901057	1	BACKREST	
20	58177380	1	SMALL ARMS KIT	



Pos.	Code	Q.ty	Description	Notes
1	58177726	1	SEAT	
2	59901058	1	SEAT	
3	59901056	1	SOSP.M97 C/REG.ALT. M5067.014	
4	59901102	1	BELLOWS	
5	59901103	1	KIT	
6	59901104	2	TAMPONE FINE CORSA (2011-320)	
7	59901105	1	SWITCH	
8	59901106	1	KNOB	
9	59901107	1	TAMPONE (2011-026)	
10	59901108	1	SHOCKS ABSORBER	
11	59901109	1	SPRING	
12	59900158	10	SCREW	
13	59900157	1	LOWER GUIDE	
14	59900152	1	LOWER GUIDE	
15	59901099	1	BRACKET	
16	58192377	1	SAFETY BELT	
17	59900160	1	GUIDE	
18	59900161	1	GUIDE	
19	59901057	1	BACKREST	
20	58177380	1	SMALL ARMS KIT	



Pos.	Code	Q.ty	Description	Notes
1	51176126	1	FRONT AXLE HOUSING	
2	51176125	1	FRONT COVER	
3	31112090	4	SCREW TE M6X16 UNI 5739 8G	
4	56370081	2	PLUG	
5	F0844273090	2	GASKET 22X28X1,5 CU 99,5	
6	31112211	4	SCREW TE M10X30 UNI 5739	
7	31112212	5	SCREW TE M10X35 UNI 5739	
8	31112213	1	SCREW TE M10X40 UNI 5739	
9	F0838475000	2	STUD BOLT M10X90 UNI 5911 8.8	
10	F0814632000	2	NUT M10	
11	F0843755000	12	WASHER 10	
12	F0803259000	1	O-RING	
13	F0803209070	1	O-RING	
14	59070012	1	PIPE	
15	51279079	1	FRONT AXLE HOUSING	
16	51279080	1	FRONT AXLE HOUSING	
17	F0862131000	8	SCREW M6X18 UNI 5931	
18	51277912	2	JOINT	
19	52377914	1	STEERING TRACK LEVER	
20	52377913	1	RIGHT ARM	
21	56377097	4	PIN	
22	31112267	8	SCREW M12x1,25x40 UNI 5738 10.9	
23	30000007	4	LUBRICATOR	
24	52370083	2	JOINT PIN	
25	F0863267050	6	SCREW M10x25	
26	56170082	0	SHIM	
26	56170221	0	SHIM	
26	56170222	0	SHIM	
26	56170223	0	SHIM	
26	56173353	0	SHIM	
27	58170077	4	GASKET	
28	F0812747000	4	BEARING 32006X (30x55x17)	
29	56379482	2	ADJUSTING SCREW	
31	59070225	1	ROD	

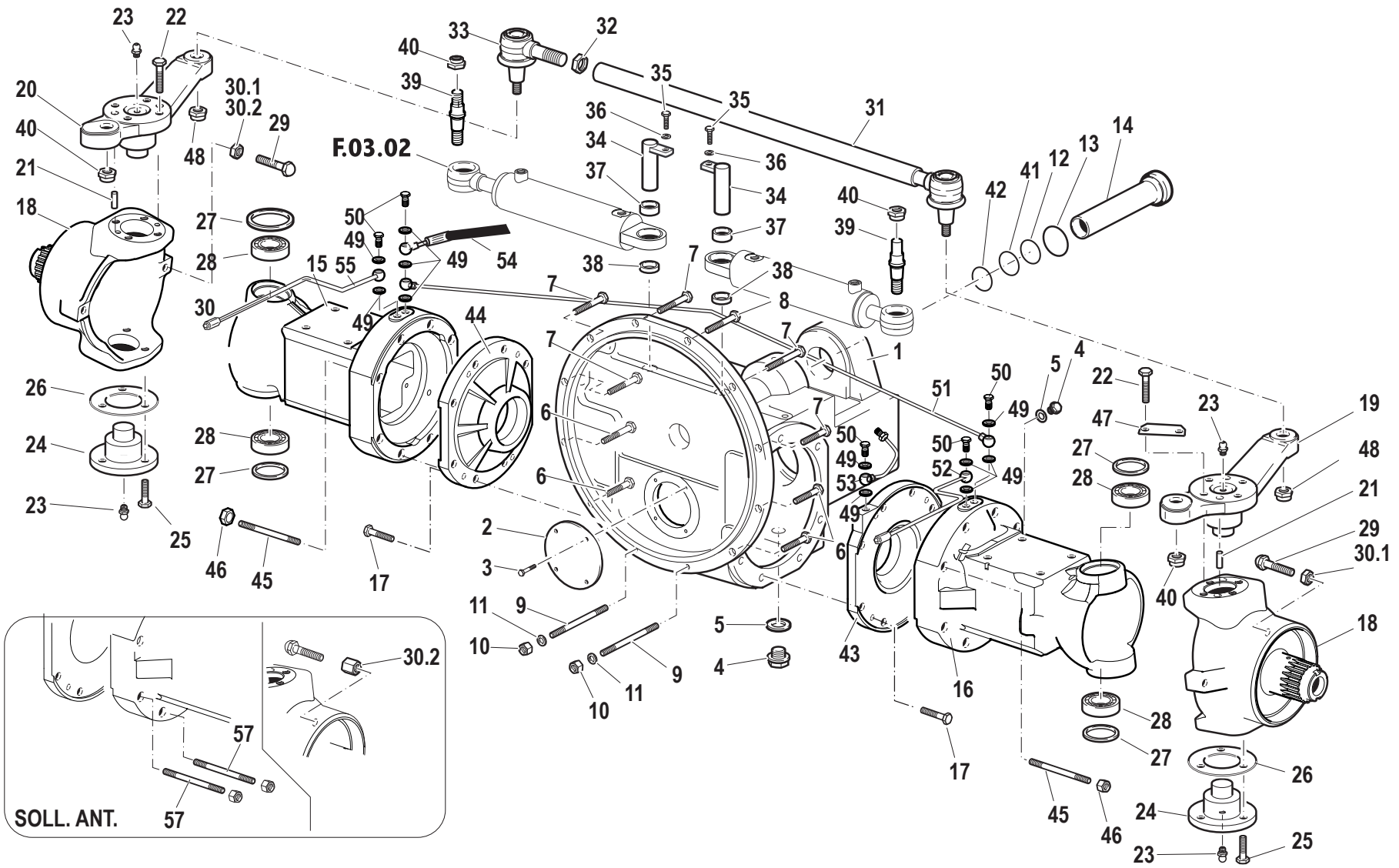
SERIAL

**FRONT AXLE**

Hp 75

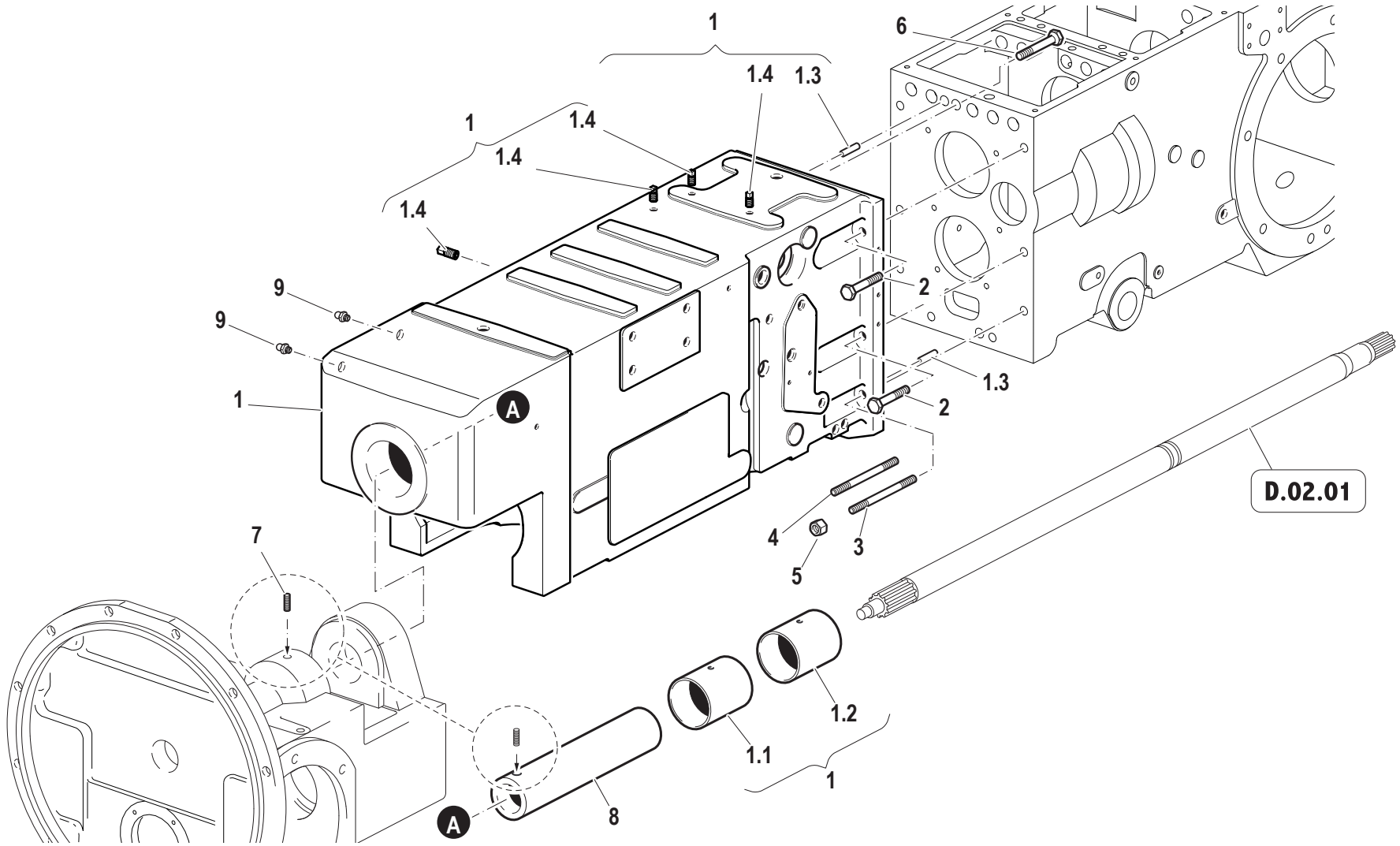
CODE REV

**C.01.01.L60007\_0**



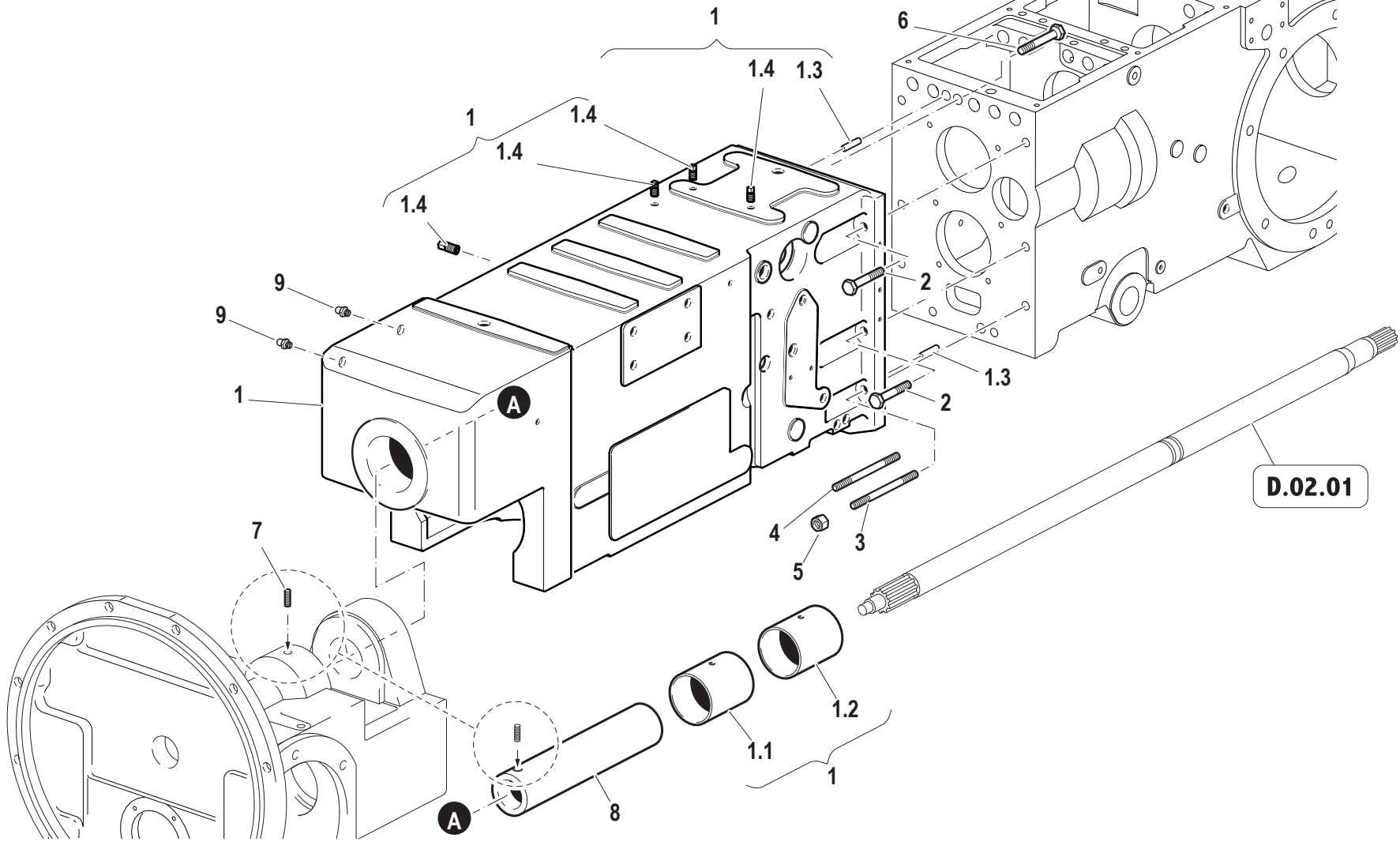
Pos.	Code	Q.ty	Description	Notes
32	56370486	1	SPECIAL NUT M20X1 CH32 6S	
33	58170069	1	BALL JOINT END	
34	59071171	2	HINGE PIN	
35	31111151	2	SCREW TE M8X16 UNI 5739 8G	
36	F0843643060	2	WASHER 8	
37	56170226	2	SPACER	
38	56171172	2	SPACER	
39	56377915	2	HINGE PIN	
40	31241161	4	SELFLOCK NUT M16X1,5	
41	56177068	1	SPACER	
42	F0801310600	1	SAFETY RING	
43	51275782	1	SUPPORT	
44	51275781	1	SUPPORT	
45	F0838726050	16	STUD BOLT M14x1.5x80UNI5912	
46	F0814750010	16	NUT M14X1,5	
47	56077910	4	CLAMPING PLATE	
48	31241161	2	SELFLOCK NUT M16X1,5	
49	P254124000000	11	WASHER	
50	56178695	5	THREADED TERMINAL END	
51	59076503	1	CONNECTION PIPE	
52	59077319	1	PIPE	
53	59076501	1	PIPE	
54	58076871	1	FLEXIBLE HOSE	
55	59078596	1	PIPE	
56	56178696	1	THREADED TERMINAL END	
57	31313305	4	STUD BOLT	
30.1	31211123	2	NUT M12X1,25	
30.2	56077977	2	SMALL COLUMN	

CENTRAL SECTION

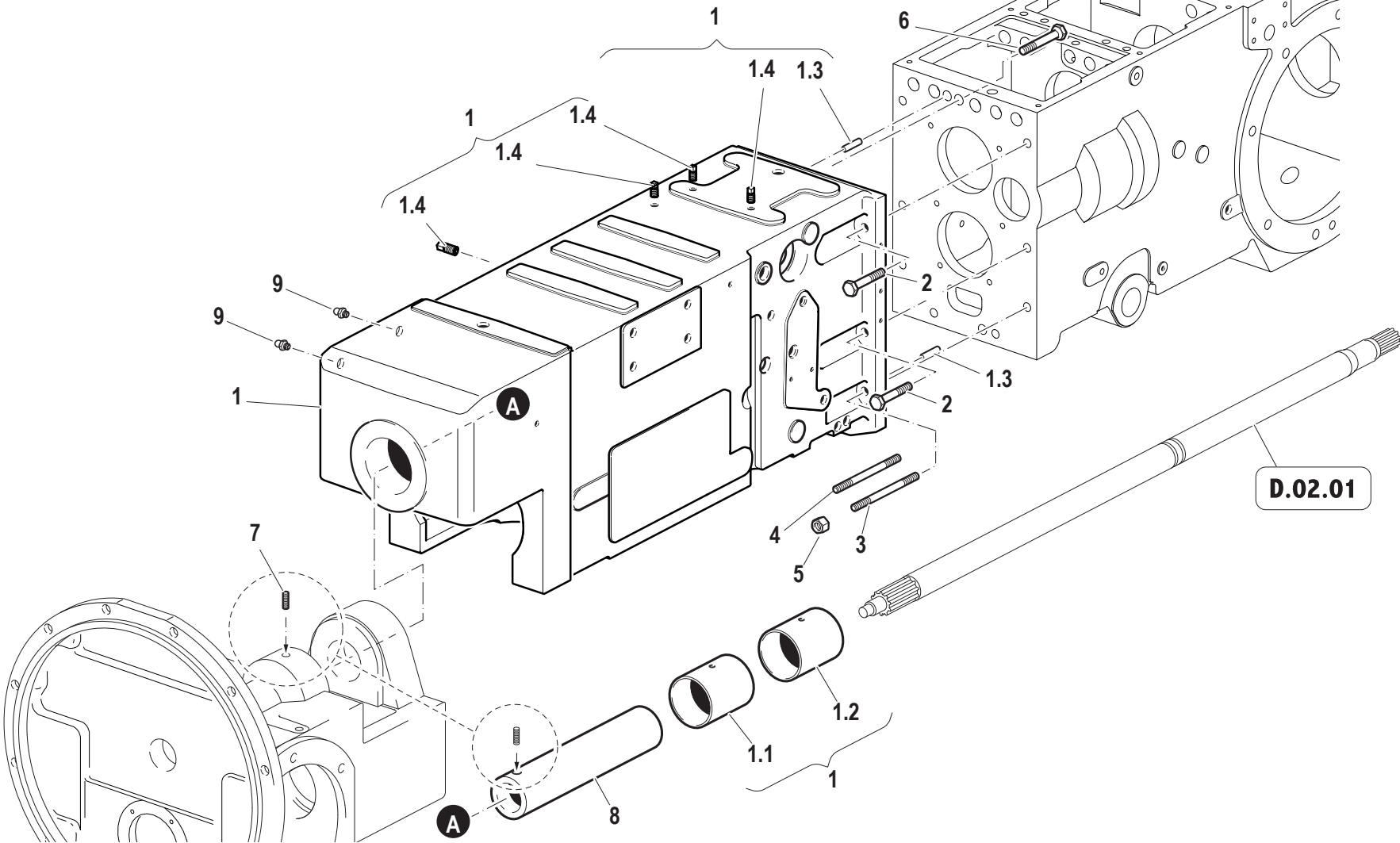




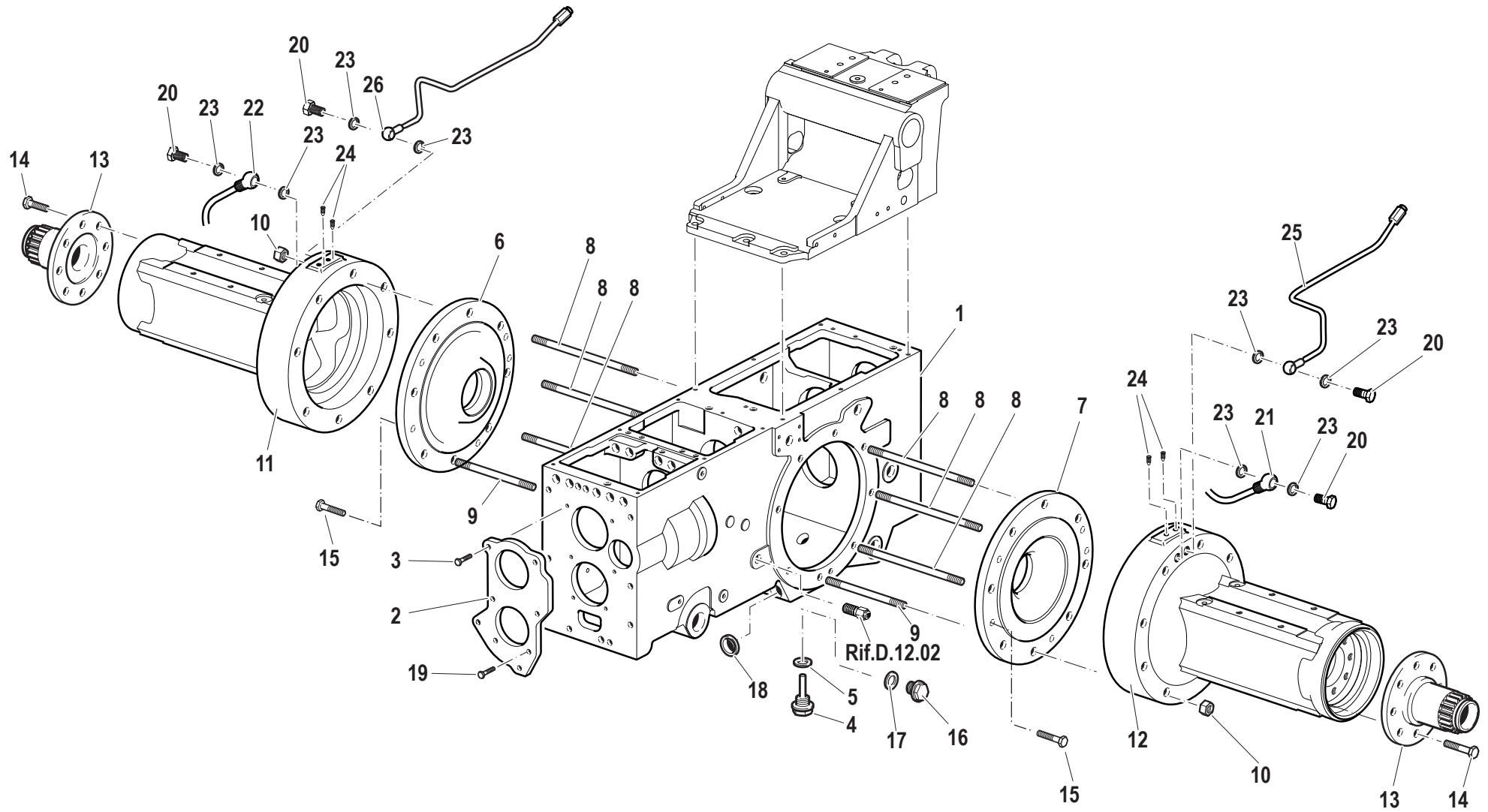
CENTRAL SECTION



CENTRAL SECTION



Pos.	Code	Q.ty	Description	Notes
10	35121061	1	SEEGER RING	
1	511A1655	1	CLU.HOU. STP2 RS(VALV.SLANZI)	
1,2	562A1659	1	FRONT AXLE HINGING FR. BUSHING	
1,1	562A1660	1	FR. AXLE HINGING REAR BUSHING	
3	56375878	2	STUD BOLT	
8	564A2715	1	TILT PIN	
1,3	56570016	2	CYLINDRICAL PLUG	
1,4	58079118	4	ROD	
7	580A1662	1	GRAIN	
11	561A2717Z	1	SPACER DIAM.68X60,5/5	
5	F0814706000	3	NUT M12	
9	F0826056000	2	LUBRICATOR M10 UNI 7663A	
4	F0838660000	1	STUD BOLT M12X105 UNI 5911-66	
2	F0863925000	5	SCREW M12X40 UNI 5737	
6	F0863951000	1	SCREW M12X45 UNI 5737	



Pos.	Code	Q.ty	Description	Notes
1	51176123	1	GEAR BOX	
2	51175810	1	FRONT COVER	
3	31112151	2	SCREW TE M8X25 UNI 5739 8G	
4	58170021	1	PLUG	
5	F0844273090	1	GASKET 22X28X1,5 CU 99,5	
6	51275774	1	SUPPORT	
7	51275775	1	SUPPORT	
8	31313295	10	STUD BOLT	
9	31313315	6	STUD BOLT	
10	F0814750010	16	NUT M14X1,5	
11	51179409	1	REDUCTION BOX	
12	51179410	1	REDUCTION BOX	
13	56373800	2	SUPPORT	
14	F0863890010	16	SCREW M12x1,75x35	
15	31112147	6	SCREW TE M8X18 UNI 5739 8G	
16	30040035	1	PLUG M18x1,5 DIN908	
17	F0824113000	1	COPPER WASHER 18X24/1,5	
18	56176124	1	PLUG	
19	31152081	4	SCREW TCEI M8X20 UNI 5931	
20	56178695	4	THREADED TERMINAL END	
21	59076505	1	PRESSURE PIPE	
22	59076504	1	PRESSURE PIPE	
23	P254124000000	8	WASHER	
24	58179399	4	PLUG	
25	59077321	1	PIPE	
26	59077322	1	PIPE	

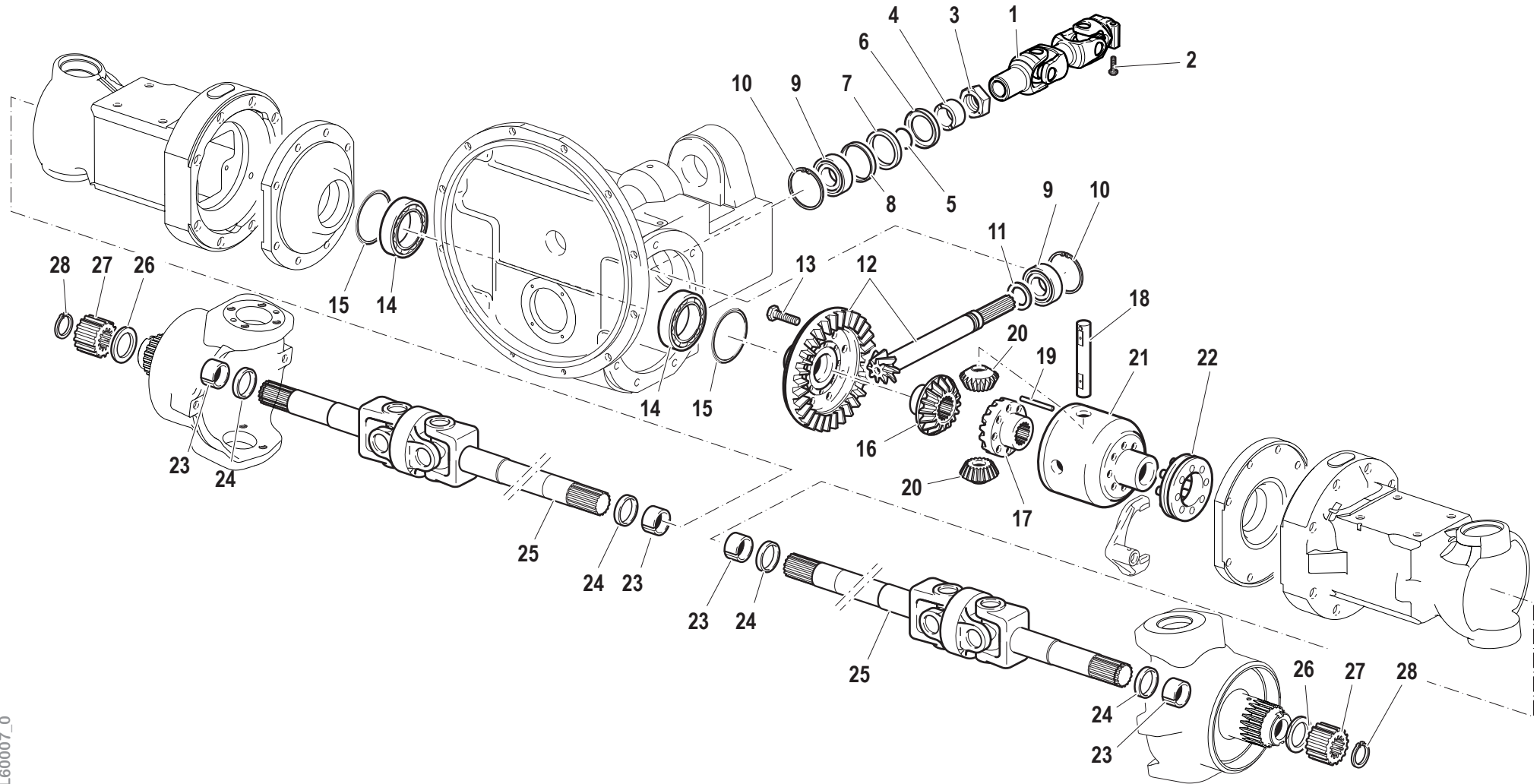
SERIAL

REAR AXLE

Hp 75

CODE REV

C.03.01.L60007\_0



Pos.	Code	Q.ty	Description	Notes
1	58178810	1	JOINT	
2	31111156	1	SCREW TE M8X50 UNI 5737 CL 10.9	
3	56372536	1	RING NUT	
4	56470215	1	SPACER	
5	F0803078100	1	O-RING	
6	56170214	1	PROTECTIVE RING D=72	
7	F0802239045	1	SEAL 50x72x8	
8	56170213	1	SPACER	
9	F0812859000	2	BEARING 32207	
10	F0801422010	2	SEEGER RING	
11	56370209		SHIM	
11	56370210		SHIM	
11	56370211		SHIM	
11	56370212		SHIM	
12	59376019	1	BEVEL GEAR	
13	F0863311250	8	SCREW M10x1,5x32	
14	F0812956000	2	BEARING 32010 X/Q	
15	56370089	0	RING	
16	56370127		RING	
16	56370128		RING	
16	52470064	1	PINION	
17	52470063	1	PINION	
18	56471036	1	PIN	
19	56371037	1	PIN	
20	52470067	2	DIFFERENTIAL PINION	
21	51371035	1	HOUSING	
22	59070065	1	SLEEVE	
23	58170039	4	BUSHING	
24	F0802119050	4	SEAL 30x44x11	
25	58175870	2	JOINT	
26	56470216	2	SHIM	
27	52470086	2	CROWN WHEEL	
28	F0801218010	2	SEEGER RING	
29	56475864	1	SLEEVE	

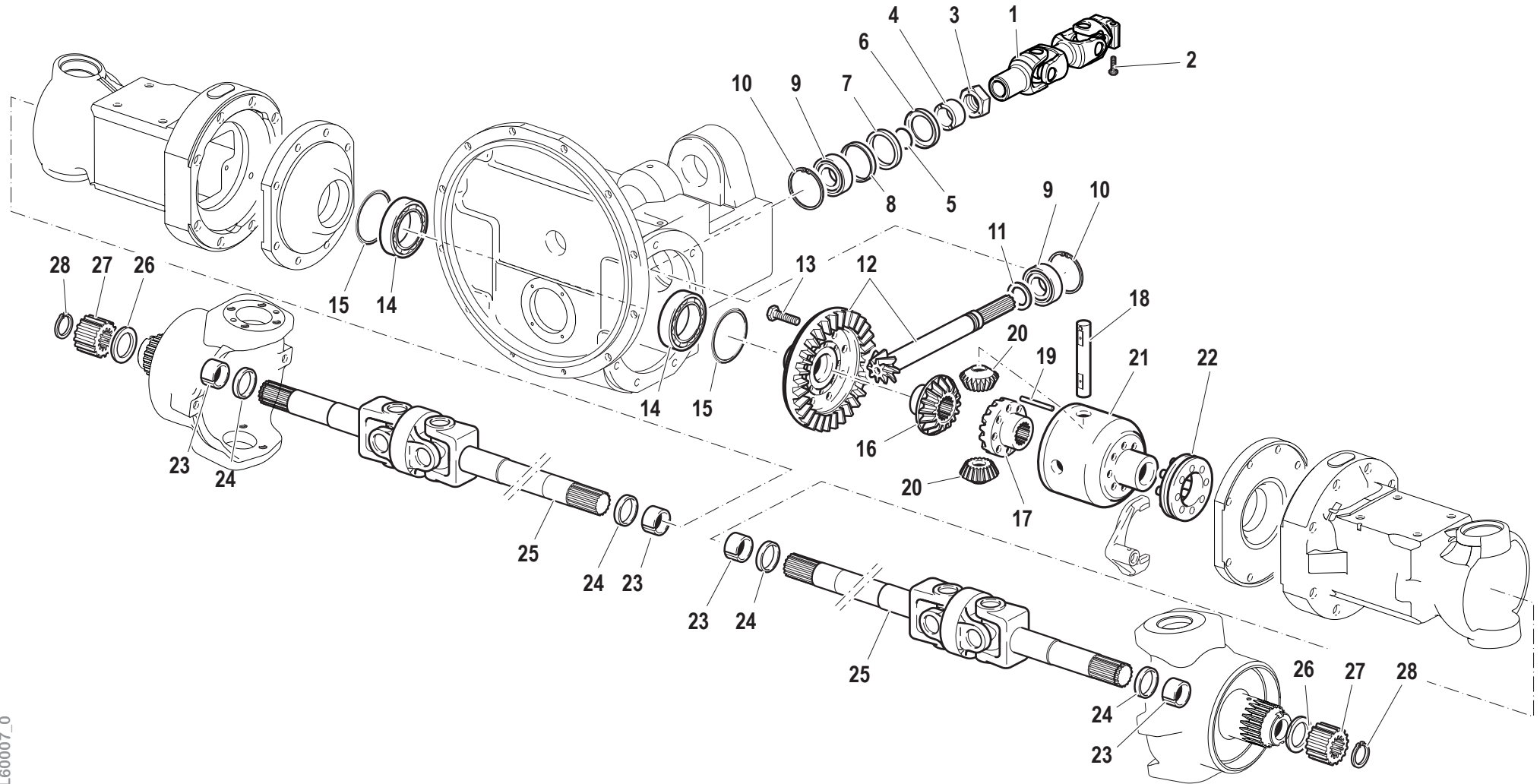
SERIAL

**FRONT TRANSMISSION**

Hp 75

CODE REV

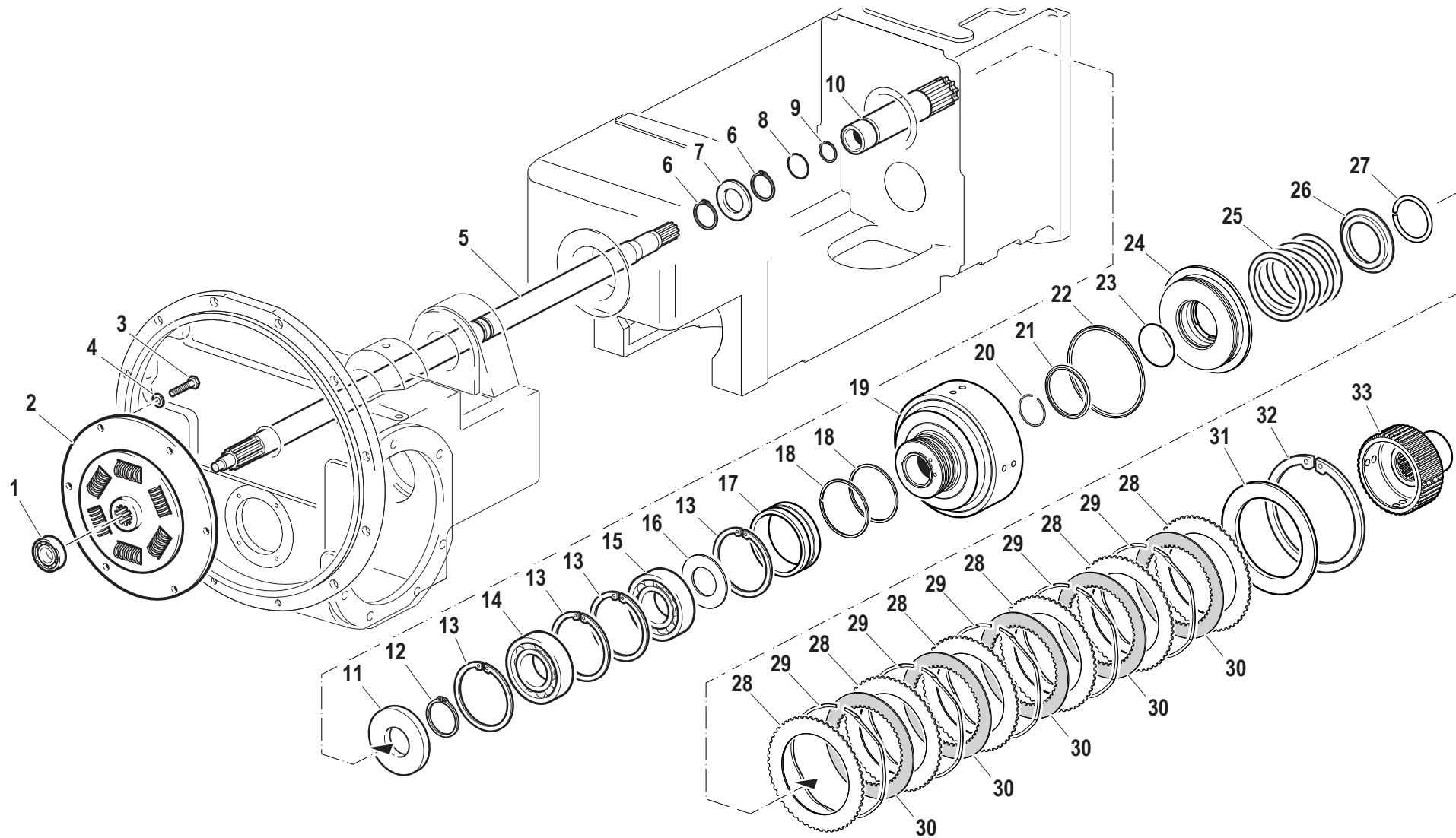
**D.01.01.L60007\_0**





Pos.	Code	Q.ty	Description	Notes
30	56475865	1	SLEEVE	

# CLUTCH FRONT SHAFT / TRANSMISSION CLUTCH



Pos.	Code	Q.ty	Description	Notes
3	31152095	8	SCREW M10x20 DIN 7984 10.9ZNT/B	
11	31211080	1	NUT M8	
7	35111062	2	SEEGER RING	
15	35111080	5	SEEGER RING	
6	35121030	2	SEEGER RING	
16	37111354	1	BEARING	
8	37112299	1	BEARING	
25	38104412	1	O-RING	
35	52473655	1	HUB	
12	52473660	1	SHAFT	
21	52573648	1	CLUTCH HOUSING	
26	53273025	1	PISTON	
33	56370037	1	CLUTCH DISC	
28	56370267	1	RING	
18	56371162	1	SHIM	
19	56470002	1	BUSHING	
5	565A2166	1	SHAFT	
27	58070262	1	RESTORING SPRING	
29	58070268	1	CIRCLIP	
12,1	58073461	1	PLUG	
30	58170034	6	DISC	
20	58170306	2	SEAL	
23	58170443	1	GASKET	
32	58172105	5	DISC	
31	58172106	5	SPRING	
24	58172400	1	GASKET	
9	58173664	1	CARDAN JOINT	
2	581A2710	1	JOINT	
36	59278554	1	VALVE	
37	59278555	1	VALVE	
14	F0801264050	1	SEEGER RING	
22	F0801266100	1	SAFETY RING	
34	F0801455100	1	SEEGER RING	
13	F0802163010	1	SEAL 35x80/10	

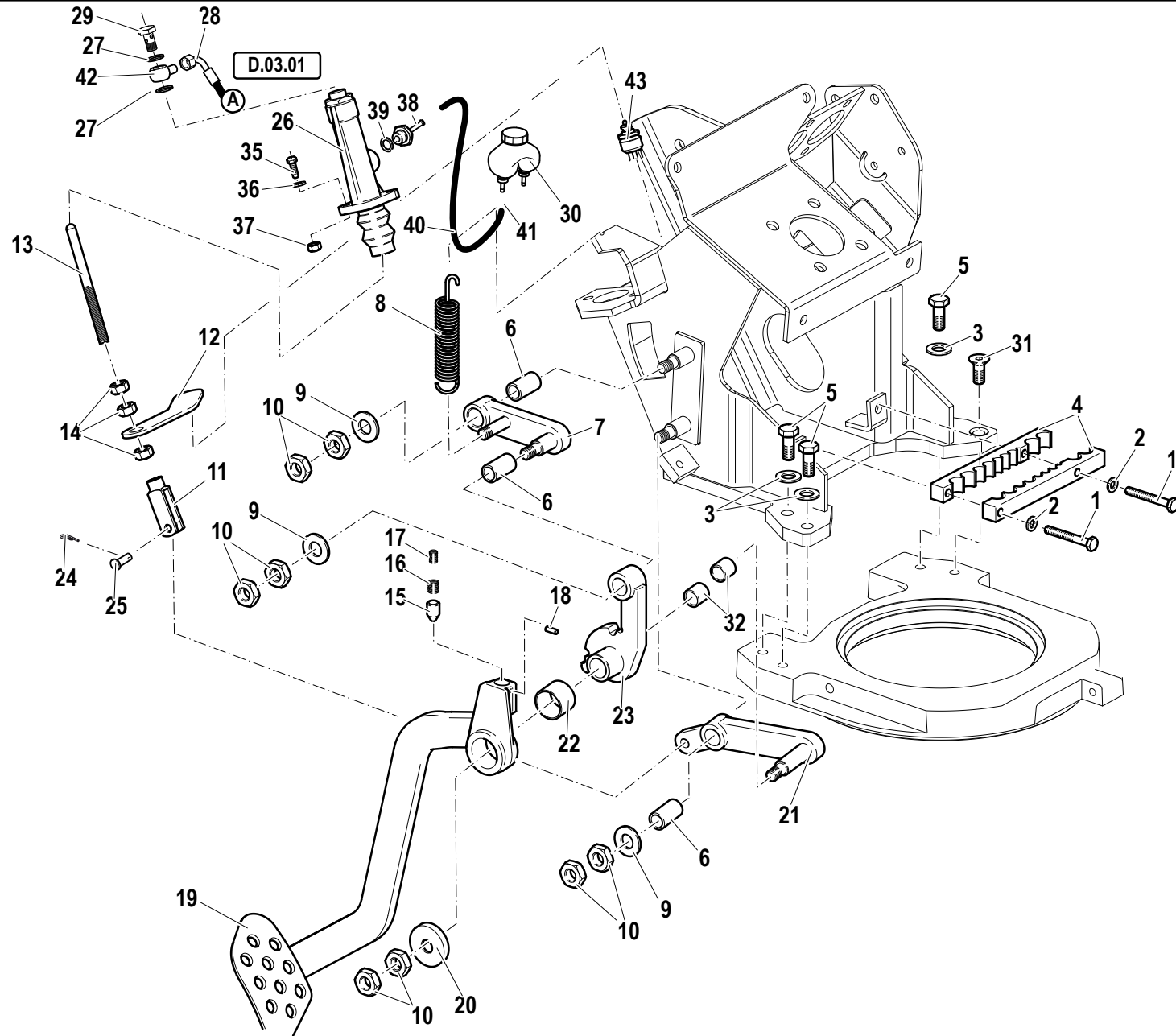
SERIAL

**CLUTCH FRONT SHAFT / TRANSMISSION CLUTCH**

CODE REV

**D.02.01.L60008\_0**

Pos.	Code	Q.ty	Description	Notes
1	F0812523050	1	BEARING 6201-2RS	
17	F0812868100	1	BEARING 6307-2Z (35x80x21)	
4	F0843841000	1	COPPER WASHER 12,0x18/1,5	
10	F0862657000	1	GRAIN	



Pos.	Code	Q.ty	Description	Notes
1	31111097	2	SCREW TE M6X45 UNI 5737 8G	
2	F0843570000	2	WASHER 6	
3	F0843755000	3	WASHER 10	
4	56176142	2	COMB	
5	31112219	3	SCREW TE M10X25 UNI 5739	
6	58176268	3	BUSHING	
7	59077037	1	LEVER	
8	58077613	1	RESTORING SPRING	
9	31411105	3	WASHER 10,5x21	
10	F0814627000	8	NUT M10	
11	F0860060010	1	FORK	
12	56177088	1	PLATE	
13	56177071	1	CAP	
14	31211080	3	NUT M8	
15	56377332	1	PIN	
16	58070741	1	SPRING	
17	58077333	1	SPRING	
18	F0851032000	1	ROLL PIN 3,0X18 DIN 1481	
19	59076990	1	CLUTCH PEDAL	
20	56377095	1	THRUST PLATE	
21	59077035	1	LEVER	
22	58176267	1	BUSHING	
23	59077041	1	CONNECTING ROD	
24	F0810510000	1	SPLIT PIN A2,0X20 UNI 1336	
25	F0835523000	1	PIN	
26	58176237	1	PUMP	
27	F0843841000	2	COPPER WASHER 12,0x18/1,5	
28	58076330	1	FLEXIBLE HOSE	
29	F0843105000	1	PIPE FITTING 12x1,5	
30	P238176000000	1	TANK	
31	31133600	1	SCREW TSVEI M10X25 U5933	
32	30030060	2	BUSHING	
35	31112151	2	SCREW TE M8X25 UNI 5739 8G	
36	31211080	2	NUT M8	

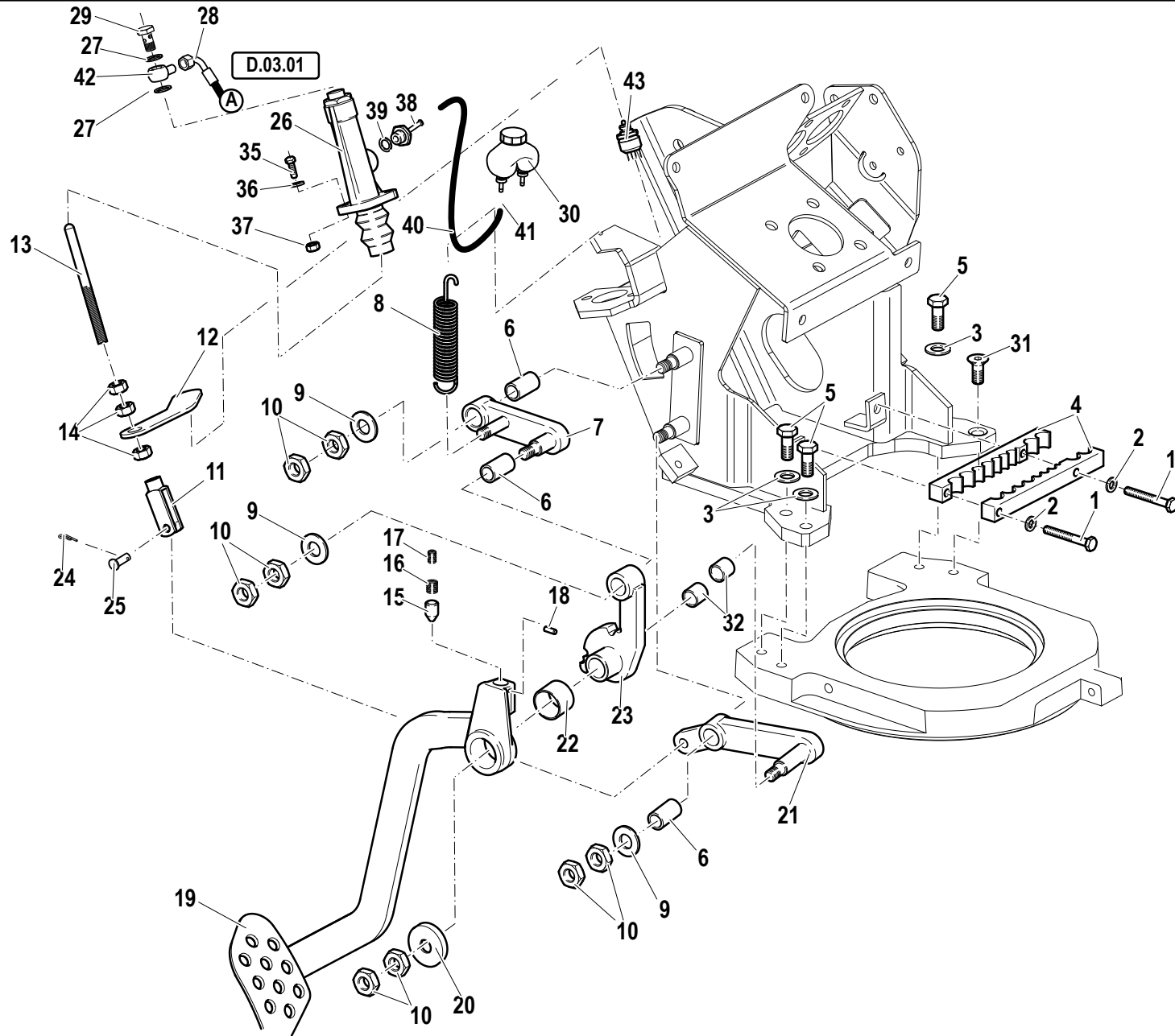
SERIAL

**CLUTCH CONTROLS**

Hp 75

CODE REV

**D.03.01.L60007\_0**



<b>Pos.</b>	<b>Code</b>	<b>Q.ty</b>	<b>Description</b>	<b>Notes</b>
37	F0843643060	2	WASHER 8	
38	56176346	1	PIPE FITTING	
39	F0824113000	1	COPPER WASHER 18X24/1,5	
40	58077217	1	PIPE	
41	F0817500100	2	CLAMP 013,8-706R	
42	56176515	1	PIPE FITTING	
43	30000638	1	SWITCH	



Pos.	Code	Q.ty	Description	Notes
43	30000638	1	SWITCH	
41	30021119	2	CLAMP 11-19 SE519S (21116) *	
32	30030060	2	BUSHING	
1	31111097	2	SCREW TE M6X45 UNI 5737 8G	
35	31112151	1	SCREW TE M8X25 UNI 5739 8G	
44	31112152	1	SCREW TE M8X30 UNI 5739 8G	
5	31112219	3	SCREW TE M10X25 UNI 5739	
31	31133600	1	SCREW TSVEI M10X25 U5933	
14	31211080	3	NUT M8	
36	31211080	2	NUT M8	
9	31411105	3	WASHER 10,5x21	
4	56176142	2	COMB	
38	56176346	1	PIPE FITTING	
42	56176515	1	PIPE FITTING	
13	56177071	1	CAP	
12	56177088	1	PLATE	
20	56377095	1	THRUST PLATE	
15	56377332	1	PIN	
16	58070741	1	SPRING	
28	58076330	1	FLEXIBLE HOSE	
40	58077217	1	PIPE	
17	58077333	1	SPRING	
8	58077613	1	RESTORING SPRING	
26	58176237	1	PUMP	
22	58176267	1	BUSHING	
6	58176268	3	BUSHING	
19	59076990	1	CLUTCH PEDAL	
21	59077035	1	LEVER	
7	59077037	1	LEVER	
23	59077041	1	CONNECTING ROD	
24	F0810510000	1	SPLIT PIN A2,0X20 UNI 1336	
10	F0814627000	8	NUT M10	
39	F0824113000	1	COPPER WASHER 18X24/1,5	
25	F0835523000	1	PIN	

SERIAL

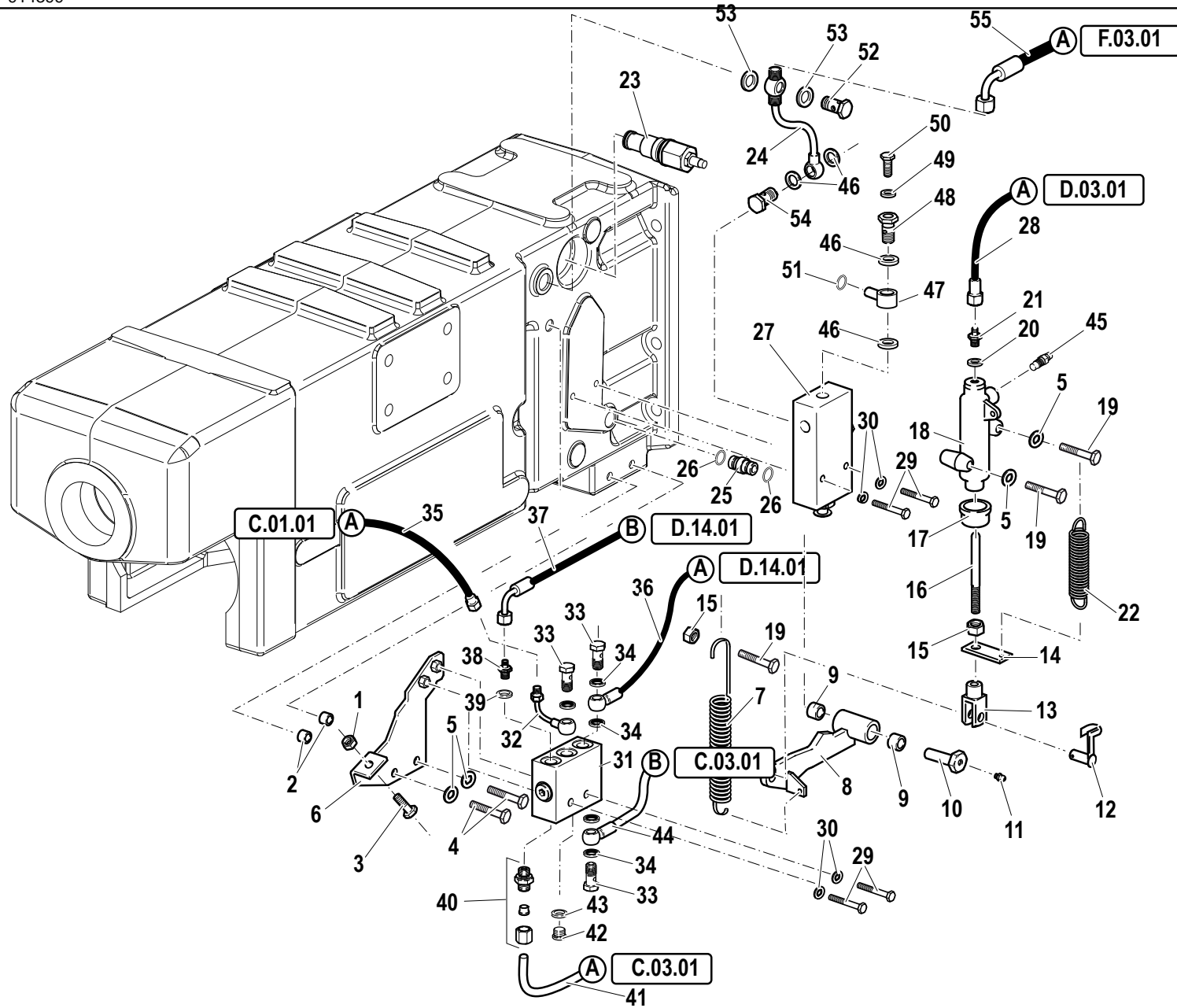
## CLUTCH CONTROLS

CODE REV

D.03.01.L60008\_2

Pos.	Code	Q.ty	Description	Notes
29	F0843105000	1	PIPE FITTING 12x1,5	
2	F0843570000	2	WASHER 6	
37	F0843643060	2	WASHER 8	
3	F0843755000	3	WASHER 10	
27	F0843841000	2	COPPER WASHER 12,0x18/1,5	
18	F0851032000	1	ROLL PIN 3,0X18 DIN 1481	
11	F0860060010	1	FORK	
30	P238176000000	1	TANK	

# FRIZIONE FRENO



Pos.	Code	Q.ty	Description	Notes
1	31211060	1	HEXAGONAL NUT M8	
2	56171996	2	SPACER	
3	31112093	2	SCREW TE M6X20	
4	31112152	2	SCREW TE M8X30 UNI 5739 8G	
5	F0843643060	4	WASHER 8	
6	59077042	1	FIXING BRACKET	
7	58077096	1	RESTORING SPRING	
8	59076154	1	ROCKER	
9	58173195	2	BUSHING	
10	56173684	1	PIN	
11	30000007	1	LUBRICATOR	
12	F0860058020	1	PIN	
13	F0860058010	1	FORK	
14	P439140000001	1	BRACKET	
15	F0814569000	1	NUT	
16	56177070	1	CAP	
17	P439243000000	1	GUARD	
18	58176238	1	ACTUATOR	
19	31112155	2	SCREW	
20	F0843841000	3	COPPER WASHER 12,0x18/1,5	
21	56176514	1	NIPPLE	
22	F0831125000	1	SPRING	
23	58173961	1	VALVE	
24	59077708	1	PIPE	
25	56170029	1	PIPE FITTING	
26	F0803057000	2	O-RING	
27	58173030	1	SWITCH	
28	58076330	1	FLEXIBLE HOSE	
29	F0862345000	2	SCREW M6X40 UNI 5737	
30	F0843581010	2	SPRING WASHER 6	
31	58176358	1	VALVE	
32	59076502	1	PIPE	
33	56178695	1	THREADED TERMINAL END	
34	P254124000000	1	WASHER	

SERIAL  
END

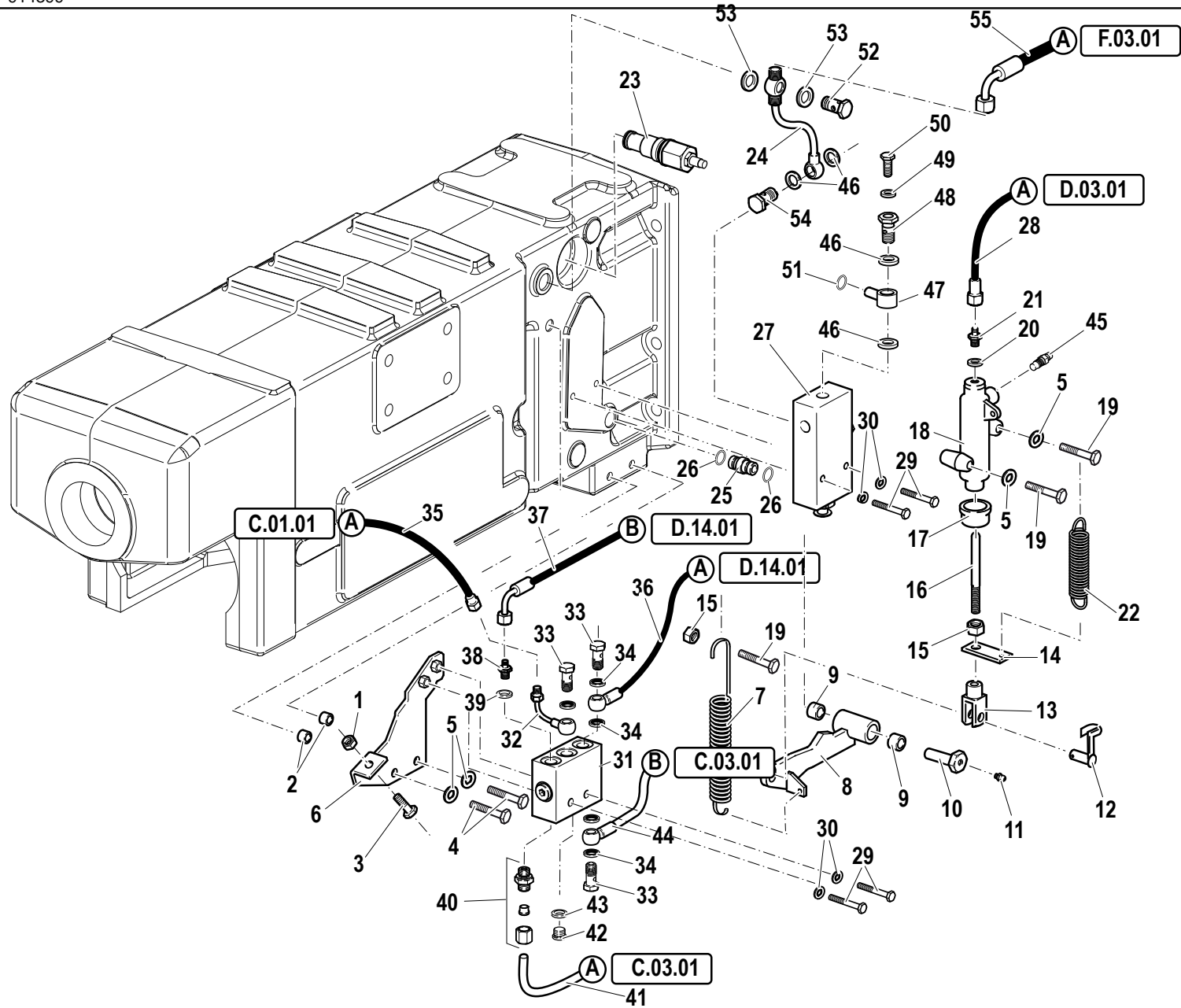
**914399**

**FRIZIONE FRENO**

Hp 75

CODE REV

**D.03.02.L60007\_0**



Pos.	Code	Q.ty	Description	Notes
35	58076871	1	FLEXIBLE HOSE	
36	58077212	1	FLEXIBLE HOSE	
37	58077213	1	FLEXIBLE HOSE	
38	F0835022000	1	NIPPLE	
39	F0843771000	1	COPPER WASHER 10,0x16/1	
40	58174547	1	NIPPLE	
41	59076505	1	PRESSURE PIPE	
42	F0852538010	1	PLUG	
43	F0843771000	1	COPPER WASHER 10,0x16/1	
44	59076504	1	PRESSURE PIPE	
45	58176869	1	SCREW	
46	F0843907000	2	COPPER WASHER 13,66x19/1,5	
47	59074623	1	PRESSURE PIPE	
48	58074558	1	PIPE FITTING	
49	F0843641000	1	COPPER WASHER 8x14/1,5	
50	F0862448100	1	SCREW M8X10 UNI 5740	
51	38110992	1	O-RING	
52	F0843109020	1	PIPE FITTING	
53	F0824110000	2	COPPER WASHER 3/8 GAS	
54	F0843107000	1	PIPE FITTING GAS 1/4	
55	58077116	1	FLEXIBLE HOSE	

SERIAL  
END

914399

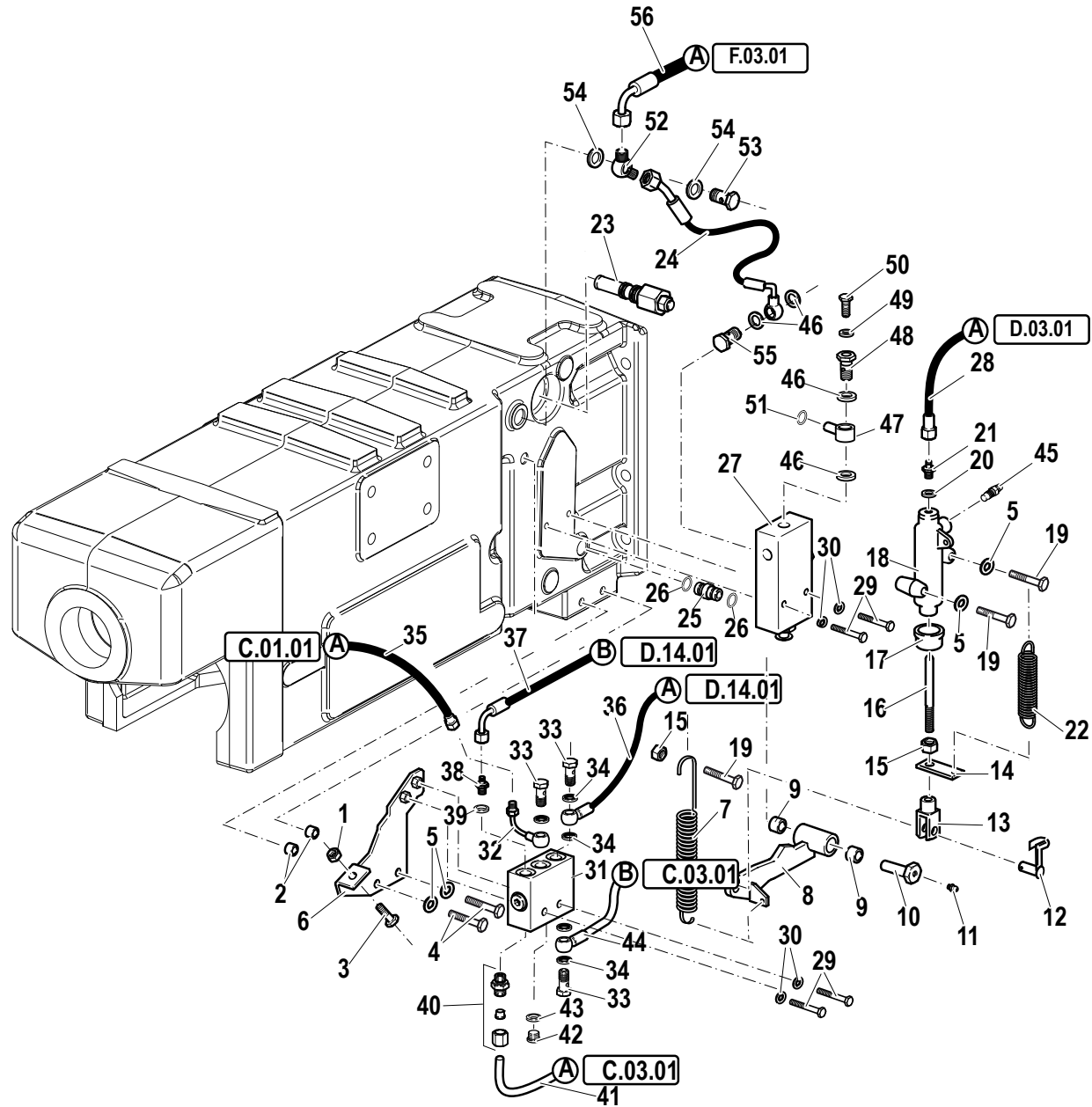
FRIZIONE FRENO

Hp 75

CODE REV

D.03.02.L60007\_0

FRIZIONE FRENO



Pos.	Code	Q.ty	Description	Notes
1	31211060	1	HEXAGONAL NUT M8	
2	56171996	2	SPACER	
3	31112093	2	SCREW TE M6X20	
4	31112152	2	SCREW TE M8X30 UNI 5739 8G	
5	F0843643060	4	WASHER 8	
6	59077042	1	FIXING BRACKET	
7	58077096	1	RESTORING SPRING	
8	59076154	1	ROCKER	
9	58173195	2	BUSHING	
10	56173684	1	PIN	
11	30000007	1	LUBRICATOR	
12	F0860058020	1	PIN	
13	F0860058010	1	FORK	
14	P439140000001	1	BRACKET	
15	F0814569000	1	NUT	
16	56177070	1	CAP	
17	P439243000000	1	GUARD	
18	58176238	1	ACTUATOR	
19	31112155	2	SCREW	
20	F0843841000	3	COPPER WASHER 12,0x18/1,5	
21	56176514	1	NIPPLE	
22	F0831125000	1	SPRING	
23	58177754	1	VALVE	
24	58079388	1	FLEXIBLE HOSE	
25	56170029	1	PIPE FITTING	
26	F0803057000	2	O-RING	
27	58173030	1	SWITCH	
28	58076330	1	FLEXIBLE HOSE	
29	F0862345000	2	SCREW M6X40 UNI 5737	
30	F0843581010	2	SPRING WASHER 6	
31	58176358	1	VALVE	
32	59076502	1	PIPE	
33	56178695	1	THREADED TERMINAL END	
34	P254124000000	1	WASHER	

SERIAL  
START  
**914400**

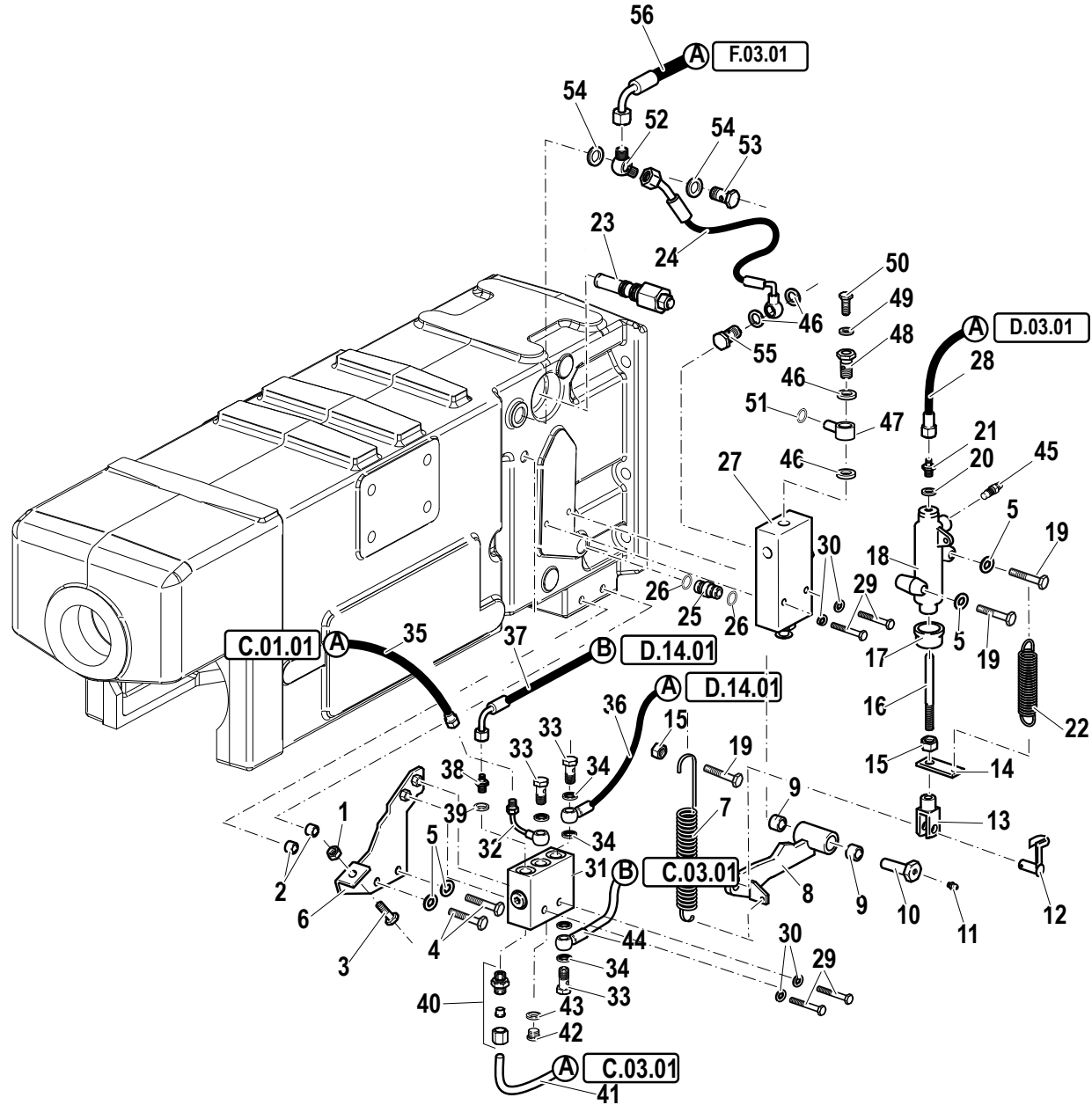
**FRIZIONE FRENO**

Hp 75

CODE REV

**D.03.02.L60007\_1**



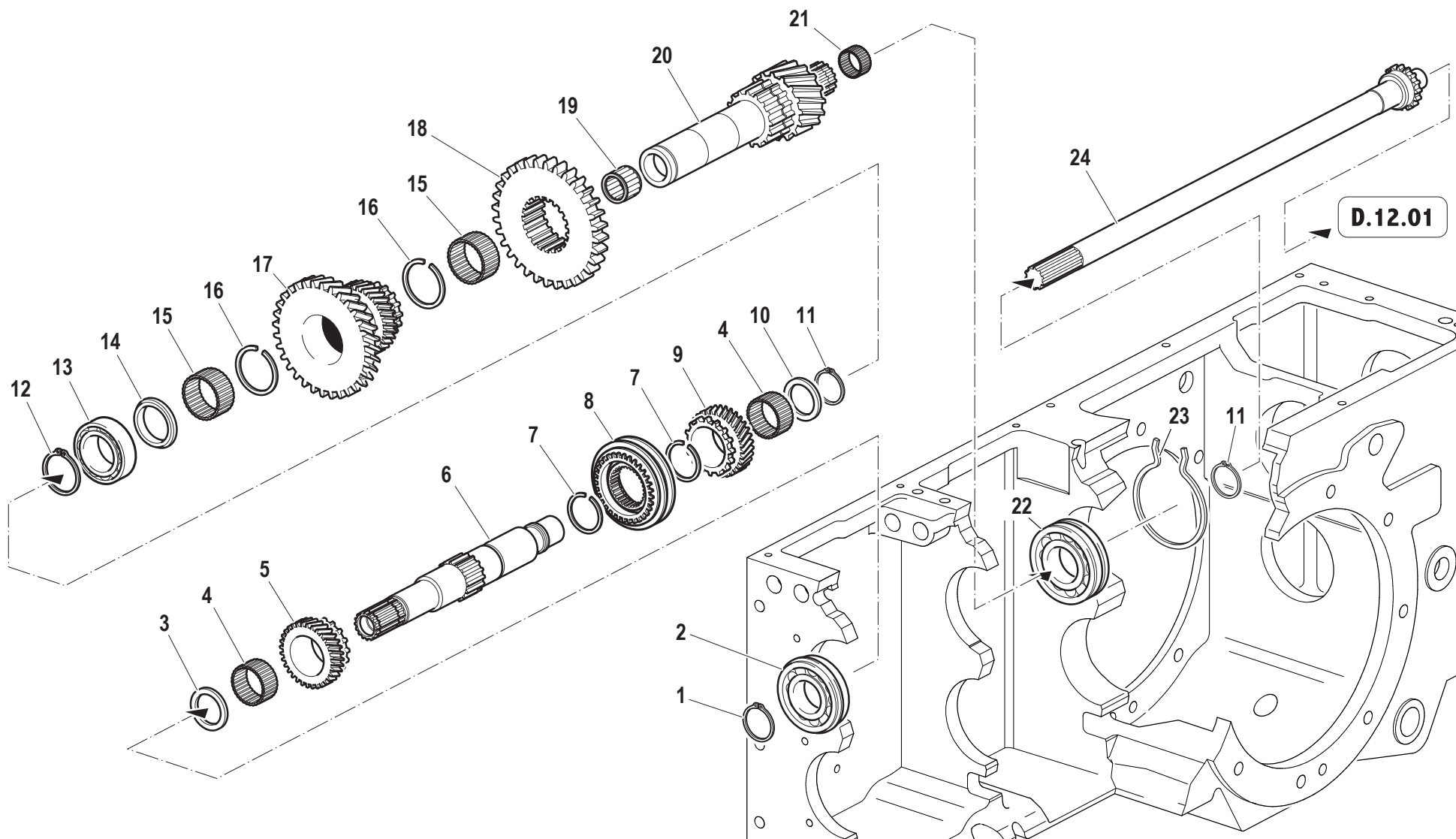


Pos.	Code	Q.ty	Description	Notes
35	58076871	1	FLEXIBLE HOSE	
36	58077212	1	FLEXIBLE HOSE	
37	58077213	1	FLEXIBLE HOSE	
38	F0835022000	1	NIPPLE	
39	F0843771000	1	COPPER WASHER 10,0x16/1	
40	58174547	1	NIPPLE	
41	59076505	1	PRESSURE PIPE	
42	F0852538010	1	PLUG	
43	F0843771000	1	COPPER WASHER 10,0x16/1	
44	59076504	1	PRESSURE PIPE	
45	58176869	1	SCREW	
46	F0843907000	2	COPPER WASHER 13,66x19/1,5	
47	59074623	1	PRESSURE PIPE	
48	58074558	1	PIPE FITTING	
49	F0843641000	1	COPPER WASHER 8x14/1,5	
50	F0862448100	1	SCREW M8X10 UNI 5740	
51	38110992	1	O-RING	
52	59079389	1	EYELET	
53	F0843109020	1	PIPE FITTING	
54	F0824110000	2	COPPER WASHER 3/8 GAS	
55	F0843107000	1	PIPE FITTING GAS 1/4	
56	58077116	1	FLEXIBLE HOSE	

# INPUT SHAFT / RANGES MAIN SHAFT / GEARS

SERIAL END 913925

D.04.01.L60007\_0



D.04.01.L60007\_0

Pos.	Code	Q.ty	Description	Notes
1	F0801264050	1	SEEGER RING	
2	F0812868000	1	BEARING 6307-NR	
3	56470110	1	SHIM	
4	F0812878040	2	ROLLER CAGE K 40X45/27	
5	52473838	1	DRIVEN GEAR	
6	56473818	1	SHAFT	
7	F0801331150	2	SAFETY RING	
8	58170279	1	LOCK SYNCHRONIZER	
9	52473839	1	GEAR	
10	56470139	1	SHIM	
11	35121040	1	SEEGER RING	
12	F0801353000	1	SEEGER RING	
13	37112501	1	BEARING	
14	56470111	1	SHIM	
15	F0812951200	2	ROLLER CAGE K 50X55/20 H	
16	F0801380100	2	SAFETY RING	
17	52474254	1	DOUBLE GEAR	
18	52470762	1	SLIDING GEAR	
19	F0812783000	1	ROLLER CAGE K 32X38/20	
20	52475073	1	OUTPUT SHAFT	
21	F0812660020	1	ROLLER CAGE K 22X26/17	
22	F0812918010	1	BEARING 6308-NR (40x90x23)	
23	58170130	1	CIRCLIP	
24	52473656	1	SHAFT	

SERIAL  
END

913925

**INPUT SHAFT / RANGES MAIN SHAFT / GEARS**

Hp 75

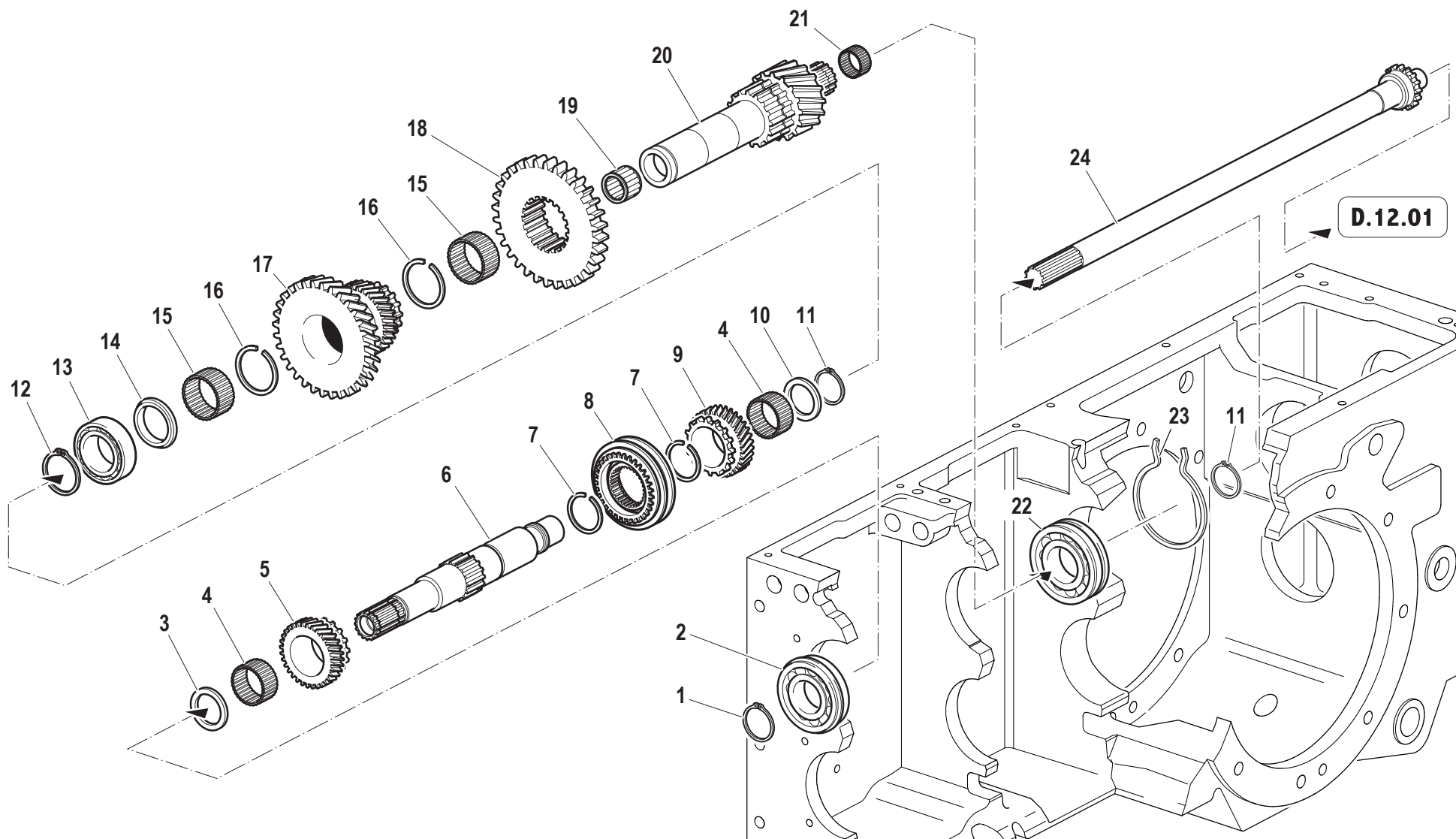
CODE REV

D.04.01.L60007\_0

# INPUT SHAFT / RANGES MAIN SHAFT / GEARS

SERIAL START 913926

D.04.01.L60007\_1



D.04.01.L60007\_0

Pos.	Code	Q.ty	Description	Notes
1	F0801264050	1	SEEGER RING	
2	F0812868000	1	BEARING 6307-NR	
3	56470110	1	SHIM	
4	F0812878040	2	ROLLER CAGE K 40X45/27	
5	52473838	1	DRIVEN GEAR	
6	56473818	1	SHAFT	
7	F0801331150	2	SAFETY RING	
8	58170279	1	LOCK SYNCHRONIZER	
9	52473839	1	GEAR	
10	56470139	1	SHIM	
11	35121040	1	SEEGER RING	
12	F0801353000	1	SEEGER RING	
13	37112501	1	BEARING	
14	56470111	1	SHIM	
15	F0812951200	2	ROLLER CAGE K 50X55/20 H	
16	F0801380100	2	SAFETY RING	
17	52478618	1	DOUBLE GEAR	
18	52478619	1	GEAR	
19	F0812783000	1	ROLLER CAGE K 32X38/20	
20	52478620	1	OUTPUT SHAFT	
21	F0812660020	1	ROLLER CAGE K 22X26/17	
22	F0812918010	1	BEARING 6308-NR (40x90x23)	
23	58170130	1	CIRCLIP	
24	52473656	1	SHAFT	

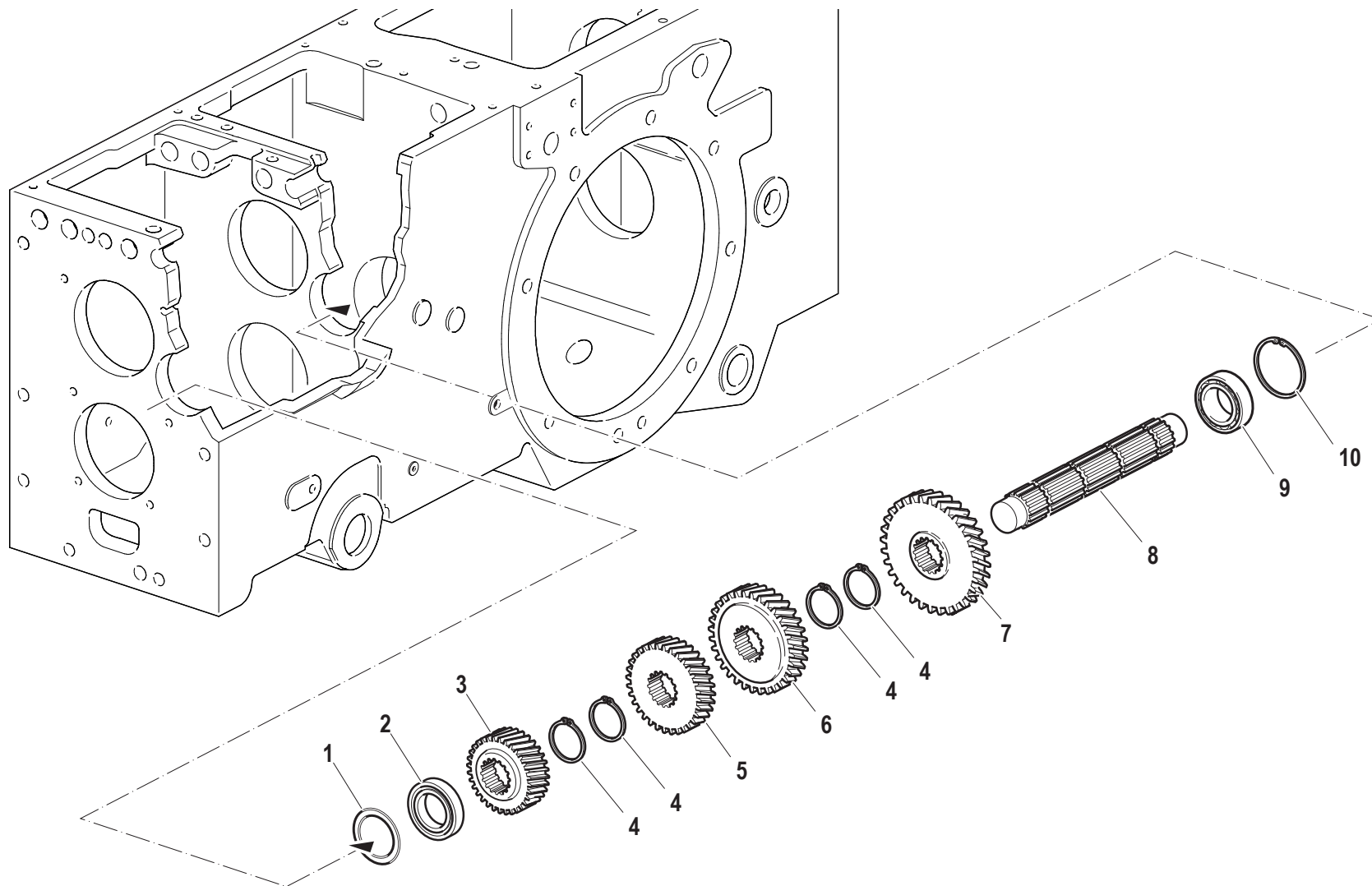
SERIAL  
START  
**913926**

**INPUT SHAFT / RANGES MAIN SHAFT / GEARS**

Hp 75

CODE REV  
**D.04.01.L60007\_1**

GEARS MAIN SHAFT / GEARS



Pos.	Code	Q.ty	Description	Notes
1	F0850100000		SHIM 41x51/0,2	
1	F0850100010		SHIM 41x51/0,3	
1	F0850100020		SHIM 41x51/0,5	
2	F0812708030	1	BEARING NJ 205E	
3	52473828	1	GEAR	
4	F0801241010	4	SEEGER RING	
5	52473829	1	GEAR	
6	52473830	1	GEAR	
7	52473831	1	GEAR	
8	52473827	1	OUTPUT SHAFT	
9	37111255	1	BEARING	
10	35111052	1	SEEGER RING	

SERIAL  
END

913925

GEARS MAIN SHAFT / GEARS

Hp 75

CODE REV

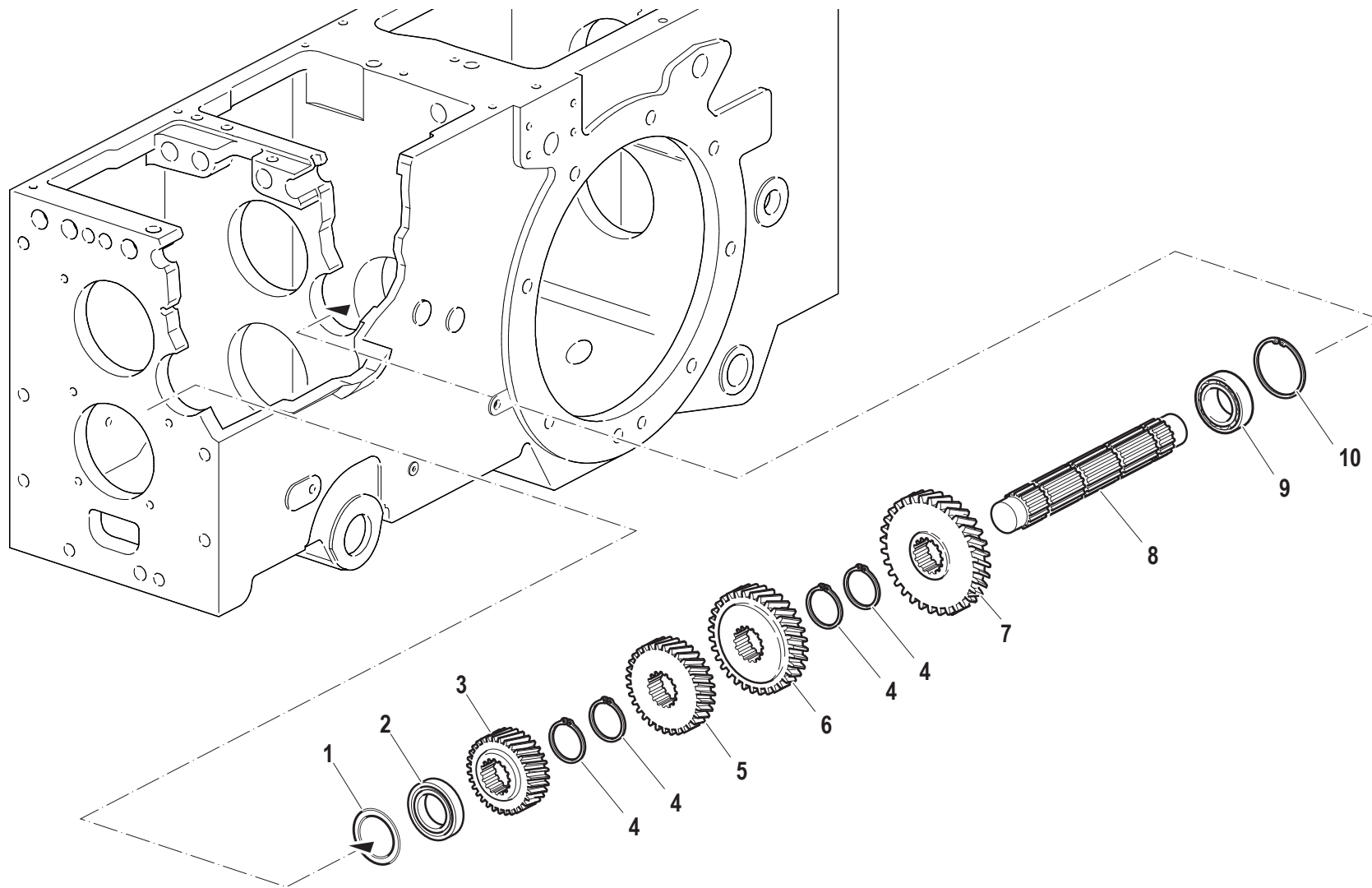
D.05.01.L60007\_0



GEARS MAIN SHAFT / GEARS

SERIAL START 913926

D.05.01.L60007\_1



Pos.	Code	Q.ty	Description	Notes
1	F0850100000		SHIM 41x51/0,2	
1	F0850100010		SHIM 41x51/0,3	
1	F0850100020		SHIM 41x51/0,5	
2	F0812708030	1	BEARING NJ 205E	
3	52478612	1	GEAR	
4	F0801241010	4	SEEGER RING	
5	52473829	1	GEAR	
6	52473830	1	GEAR	
7	52473831	1	GEAR	
8	52473827	1	OUTPUT SHAFT	
9	37111255	1	BEARING	
10	35111052	1	SEEGER RING	

SERIAL  
START  
**913926**

**GEARS MAIN SHAFT / GEARS**

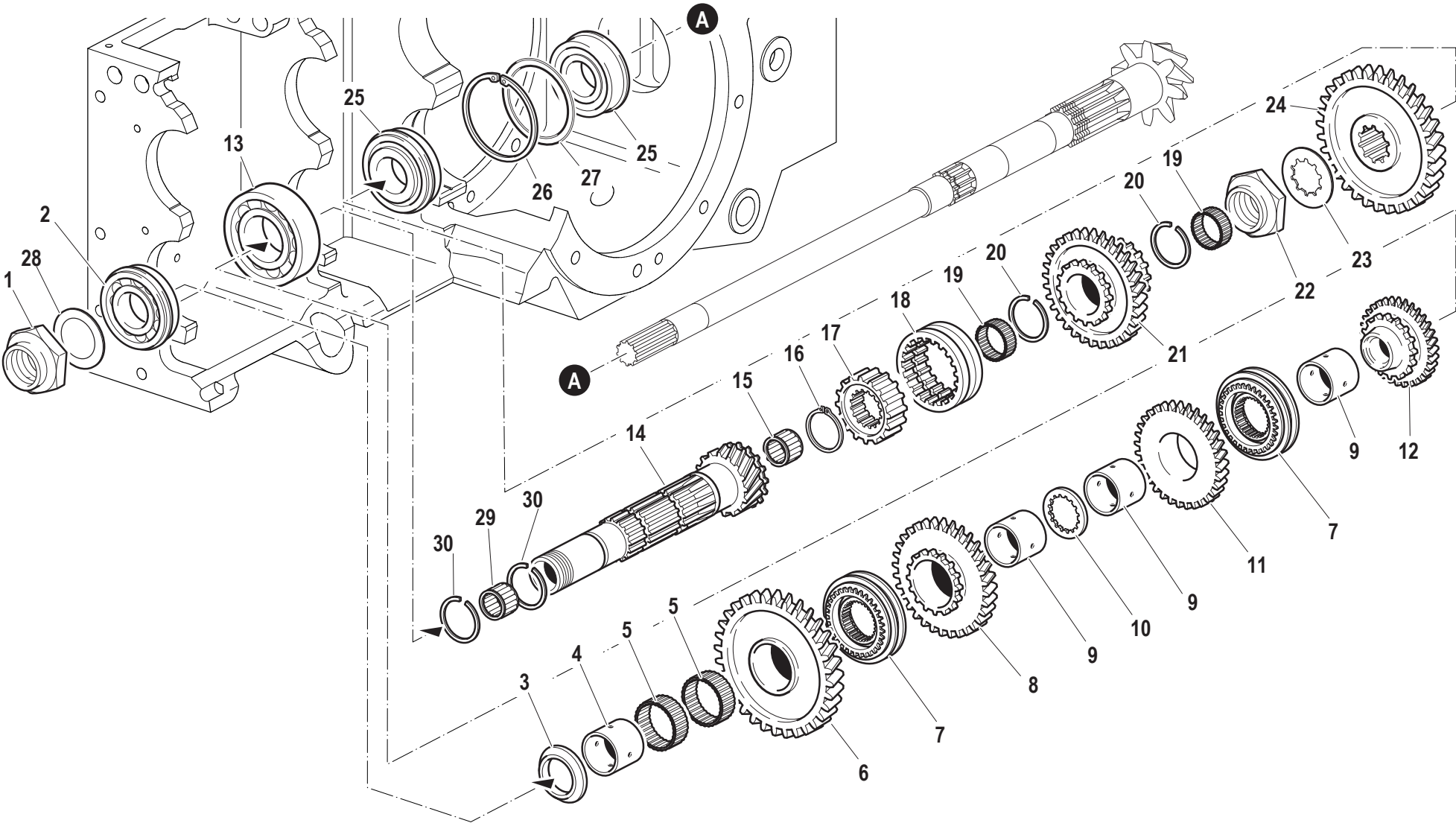
Hp 75

CODE REV  
**D.05.01.L60007\_1**

GEARS TRANSMISSION SHAFT / GEARS

SERIAL END 913925

D.06.01.L60007\_0



D.06.01.L60007\_0

Pos.	Code	Q.ty	Description	Notes
1	F0821054000	1	RING NUT KM 8(M40X1,5)DIN 981	
2	F0812899000	1	BEARING 6208-NR	
3	52473833	1	THRUST PLATE	058-06
4	56570219	1	BUSHING	058-06
5	F0812951070	2	ROLLER CAGE K 47X52/17 H	
6	52473834	1	DRIVEN GEAR	058-06
7	58171139	2	LOCK SYNCHRONIZER	
8	52473835	1	DRIVEN GEAR	
9	56470138	3	BUSHING	
10	56470137	1	SHIM	
11	52473836	1	DRIVEN GEAR	
12	52473837	1	DRIVEN GEAR	
13	F0812957000	1	BEARING 6210 (50/90/20)	
14	52475834	1	COUNTERSHAFT	058-06
15	F0812692015	1	ROLLER CAGE K 25X35/25	
16	35121035	1	SEEGER RING	
17	52470118	1	SLEEVE	
18	52470117	1	SLIDING SLEEVE	
19	F0812811000	2	ROLLER CAGE K 35X40/17	
20	F0801299100	2	SAFETY RING	
21	52474253	1	DOUBLE GEAR	058-06
22	56370761	1	RING NUT	058-06
23	56170760		RETAINING WASHER SP.1,0	
23	56174692		RETAINING WASHER SP.0,8	
23	56174693		RETAINING WASHER SP.0,9	
23	56174694		RETAINING WASHER SP.1,1	
23	56174695		RETAINING WASHER SP.1,2	
23	56175367		RETAINING WASHER SP.1,3	
24	52474252	1	DRIVEN GEAR	058-06
25	37221320	2	BEARING	
26	35111080	1	SEEGER RING	
27	56370089		RING	
27	56370127		RING	
27	56370128		RING	

SERIAL  
END

913925

GEARS TRANSMISSION SHAFT / GEARS

Hp 75

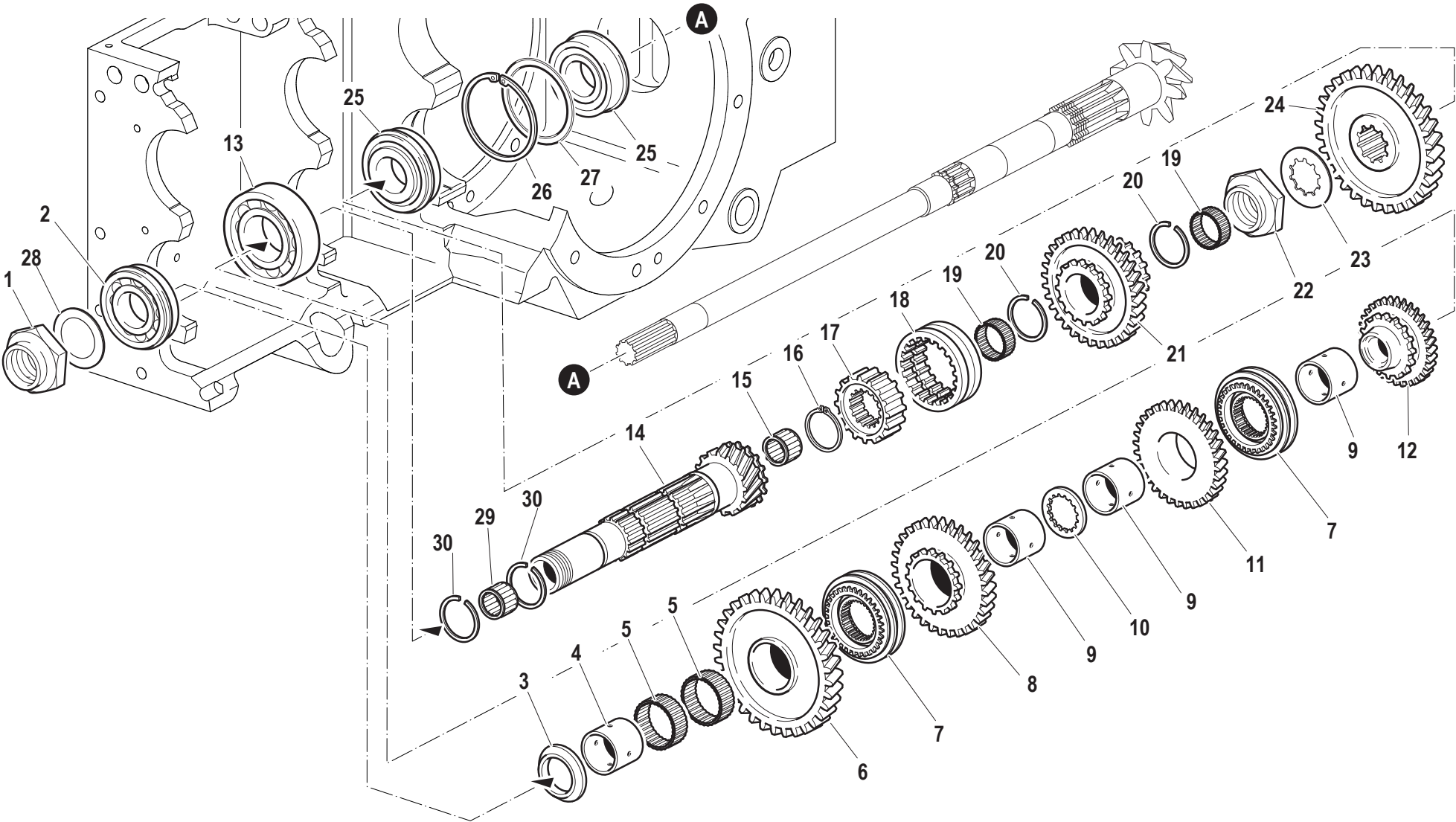
CODE REV

D.06.01.L60007\_0

# GEARS TRANSMISSION SHAFT / GEARS

SERIAL END 913925

D.06.01.L60007\_0



D.06.01.L60007\_0

Pos.	Code	Q.ty	Description	Notes
27	56370830		RING	
28	F0844539000	1	WASHER	
29	F0812689000	1	ROLLER CAGE K 25X30/20 H	
30	F0801241005	2	SAFETY RING	

SERIAL  
END

**913925**

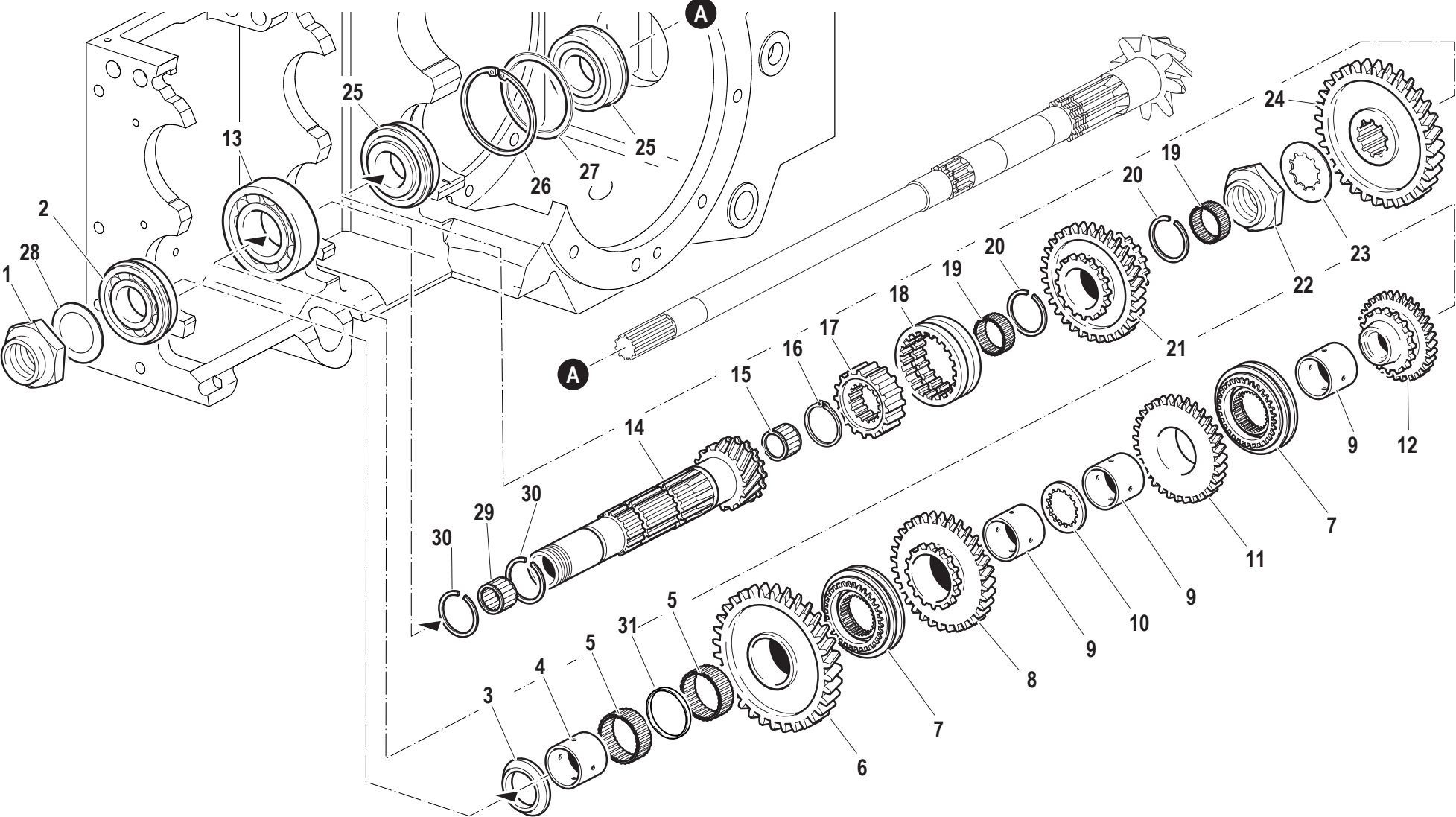
**GEARS TRANSMISSION SHAFT / GEARS**

Hp 75

CODE REV

**D.06.01.L60007\_0**

GEARS TRANSMISSION SHAFT / GEARS



Pos.	Code	Q.ty	Description	Notes
1	F0821054000	1	RING NUT KM 8(M40X1,5)DIN 981	
2	F0812899000	1	BEARING 6208-NR	
3	52478611	1	SHIM	058-06
4	56578610	1	BUSHING	058-06
5	F0812951070	2	ROLLER CAGE K 47X52/17 H	
6	52478609	1	DRIVEN GEAR	058-06
7	58171139	2	LOCK SYNCHRONIZER	
8	52473835	1	DRIVEN GEAR	
9	56470138	3	BUSHING	
10	56470137	1	SHIM	
11	52473836	1	DRIVEN GEAR	
12	52473837	1	DRIVEN GEAR	
13	F0812957000	1	BEARING 6210 (50/90/20)	
14	52478613	1	COUNTERSHAFT	058-06
15	F0812692015	1	ROLLER CAGE K 25X35/25	
16	35121035	1	SEEGER RING	
17	52470118	1	SLEEVE	
18	52470117	1	SLIDING SLEEVE	
19	F0812811000	2	ROLLER CAGE K 35X40/17	
20	F0801299100	2	SAFETY RING	
21	52478615	1	DOUBLE GEAR	058-06
22	56378616	1	RING NUT	058-06
23	56170760		RETAINING WASHER SP.1,0	
23	56174692		RETAINING WASHER SP.0,8	
23	56174693		RETAINING WASHER SP.0,9	
23	56174694		RETAINING WASHER SP.1,1	
23	56174695		RETAINING WASHER SP.1,2	
23	56175367		RETAINING WASHER SP.1,3	
24	52478617	1	GEAR	058-06
25	37221320	2	BEARING	
26	35111080	1	SEEGER RING	
27	56370089		RING	
27	56370127		RING	
27	56370128		RING	

SERIAL  
START  
**913926**

**GEARS TRANSMISSION SHAFT / GEARS**

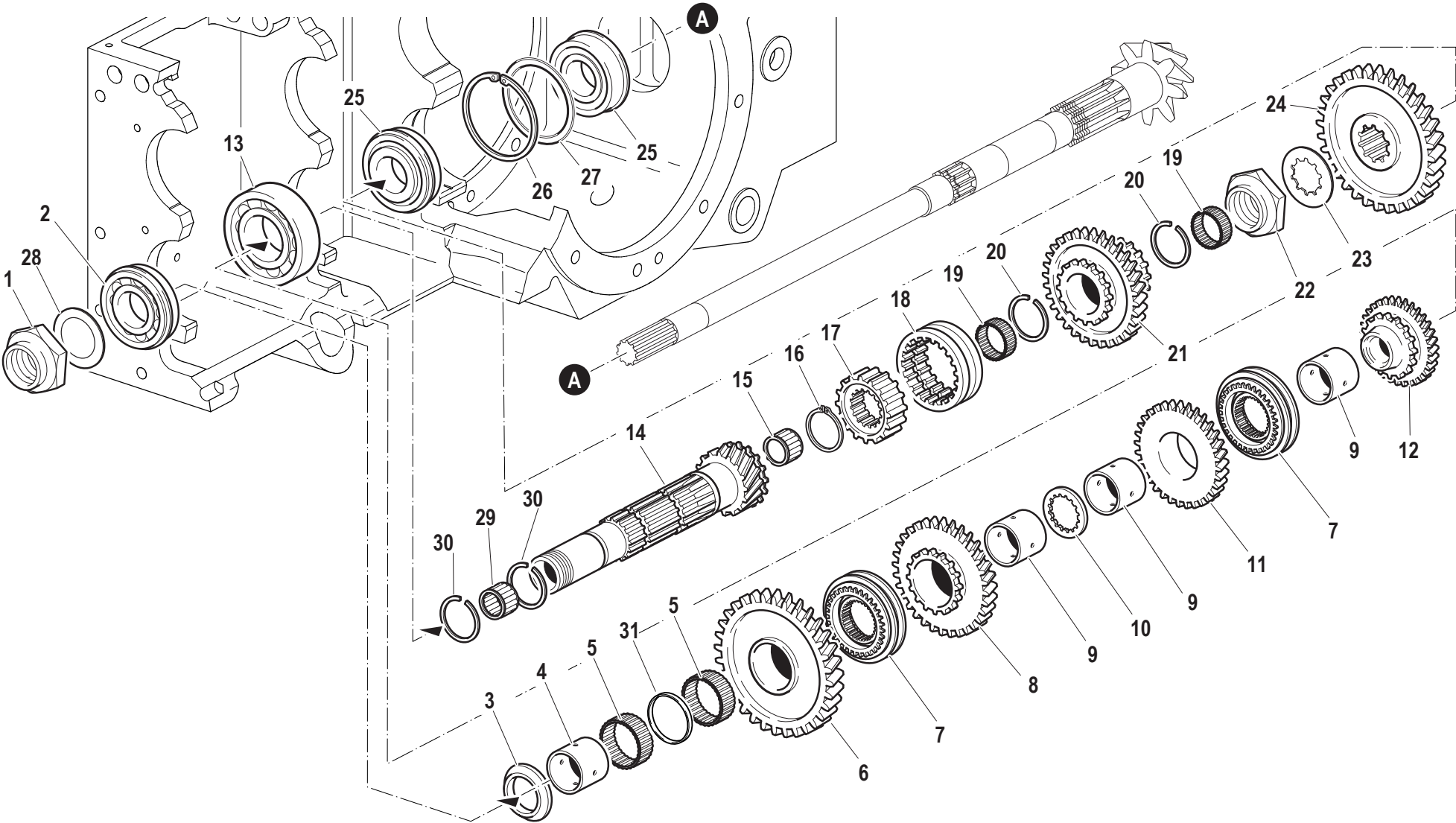
Hp 75

CODE REV

**D.06.01.L60007\_1**



GEARS TRANSMISSION SHAFT / GEARS



Pos.	Code	Q.ty	Description	Notes
27	56370830		RING	
28	F0844539000	1	WASHER	
29	F0812689000	1	ROLLER CAGE K 25X30/20 H	
30	F0801241005	2	SAFETY RING	
31	56278614	1	SPACER	058-06

SERIAL  
START  
**913926**

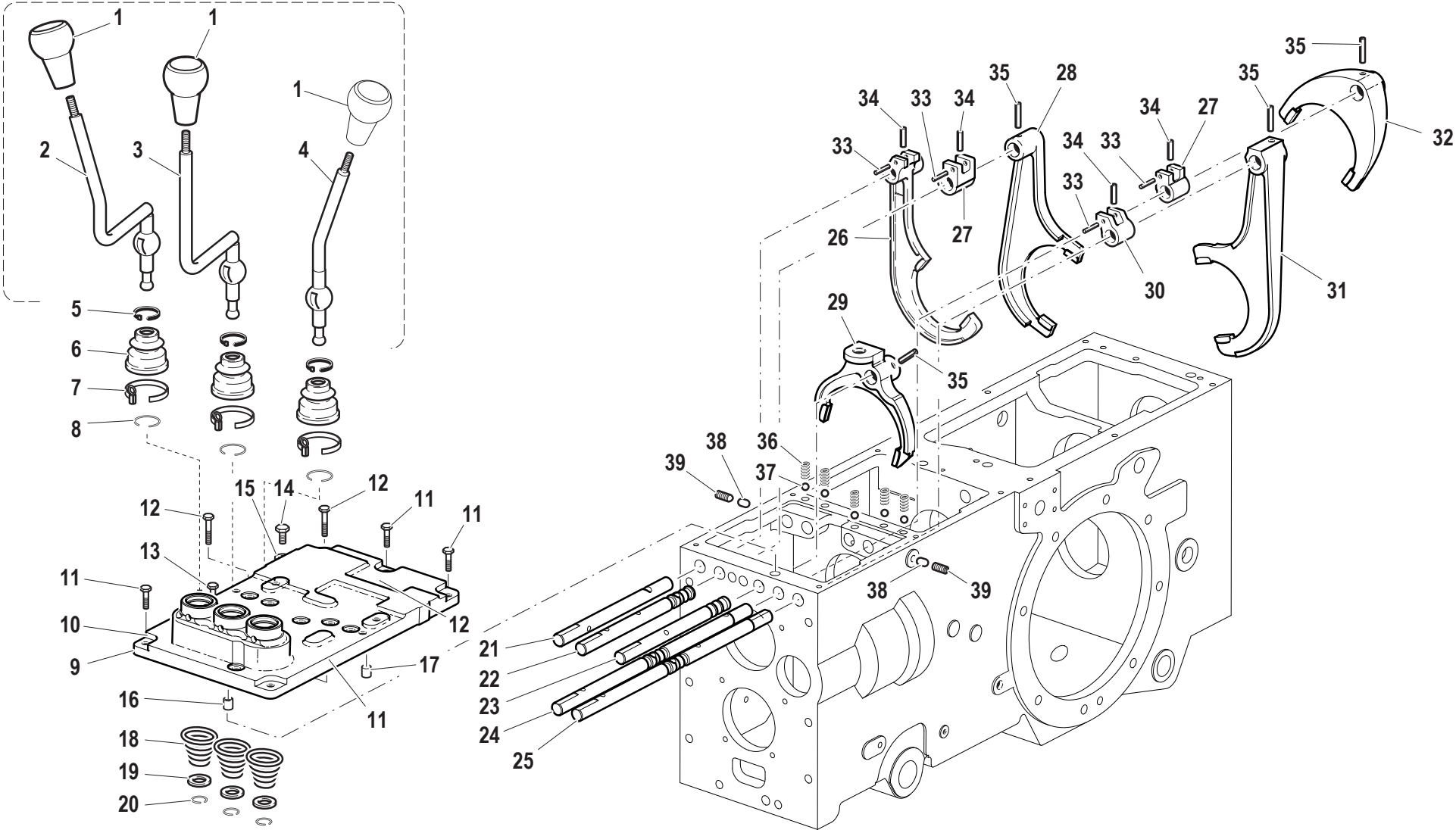
**GEARS TRANSMISSION SHAFT / GEARS**

Hp 75

CODE REV

**D.06.01.L60007\_1**

# GEARBOX CONTROLS



D.07.01.L60007\_0

Pos.	Code	Q.ty	Description	Notes
1	58174192	3	HANDLE	
2	59075907	1	COMMAND LEVER	
3	59075908	1	COMMAND LEVER	
4	59075909	1	COMMAND LEVER	
5	F0817640003	3	CLAMP 4,8x180	
6	55170053	3	CAP	
7	58170054	3	COLLAR	
8	58070169	3	LOCKRING	
9	51175798	1	COVER	
10	56370018	6	HINGE PIN	
11	31112146	4	SCREW TE M8X22 UNI 5739 8G	
12	31112152	3	SCREW TE M8X30 UNI 5739 8G	
13	31112154	1	SCREW TE M8X40 UNI 5739 8G	
14	56370186	5	PLUG	
15	F0843771000	5	COPPER WASHER 10,0x16/1	
16	56170017	1	PIN	
17	56570016	1	CYLINDRICAL PLUG	
18	58070164	3	SPRING	
19	56370172	3	SPACER	
20	58070168	3	LOCKRING	
21	56375895	1	PULL ROD	
22	56375894	1	PULL ROD	
23	56370165	1	ROD	
24	56375893	1	PULL ROD	
25	56375891	1	PULL ROD	
26	52275889	1	GEAR FORK	
27	52375896	2	CATCH	
28	52272112	1	SELECTOR FORK	
29	52275888	1	SELECTOR FORK	
30	52375897	1	CATCH	
31	51273893	1	SELECTOR FORK	
32	51270771	1	SELECTOR FORK	
33	F0851156000	4	PIN 4X30 DIN 1481 CL:C72	
34	F0851262000	4	PIN 6X26 DIN 7343 CL:C72	

SERIAL  
END

**913925**

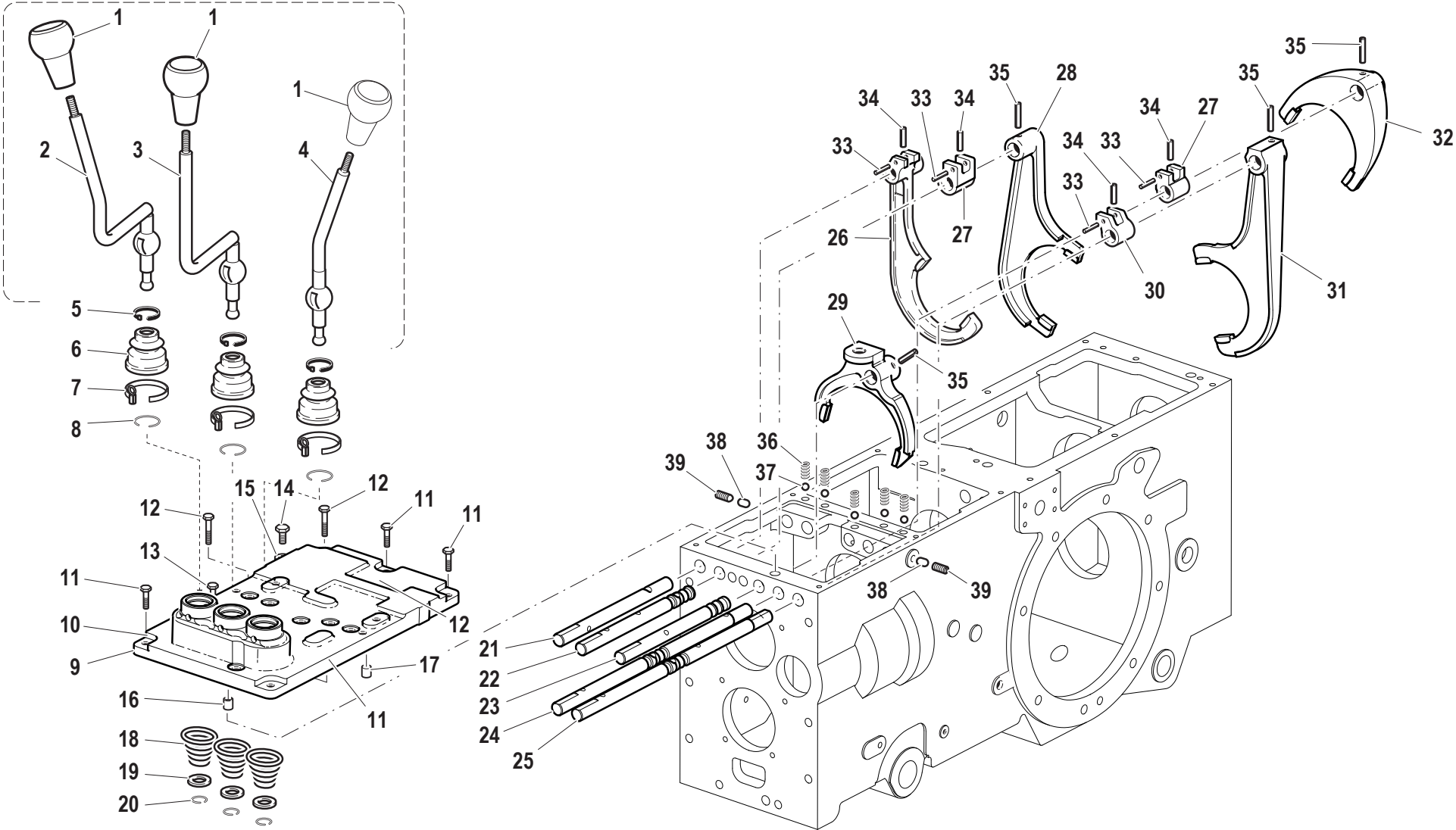
**GEARBOX CONTROLS**

Hp 75

CODE REV

**D.07.01.L60007\_0**

# GEARBOX CONTROLS



D.07.01.L60007\_0

Pos.	Code	Q.ty	Description	Notes
35	F0851267050	3	PIN 6X30 DIN 7343 CL:C72	
36	58070741	5	SPRING	
37	F0847434000	5	BALL	
38	56570125	2	TOGGLE	
39	F0863183000	2	SCREW M10X16 UNI 5923	

SERIAL  
END

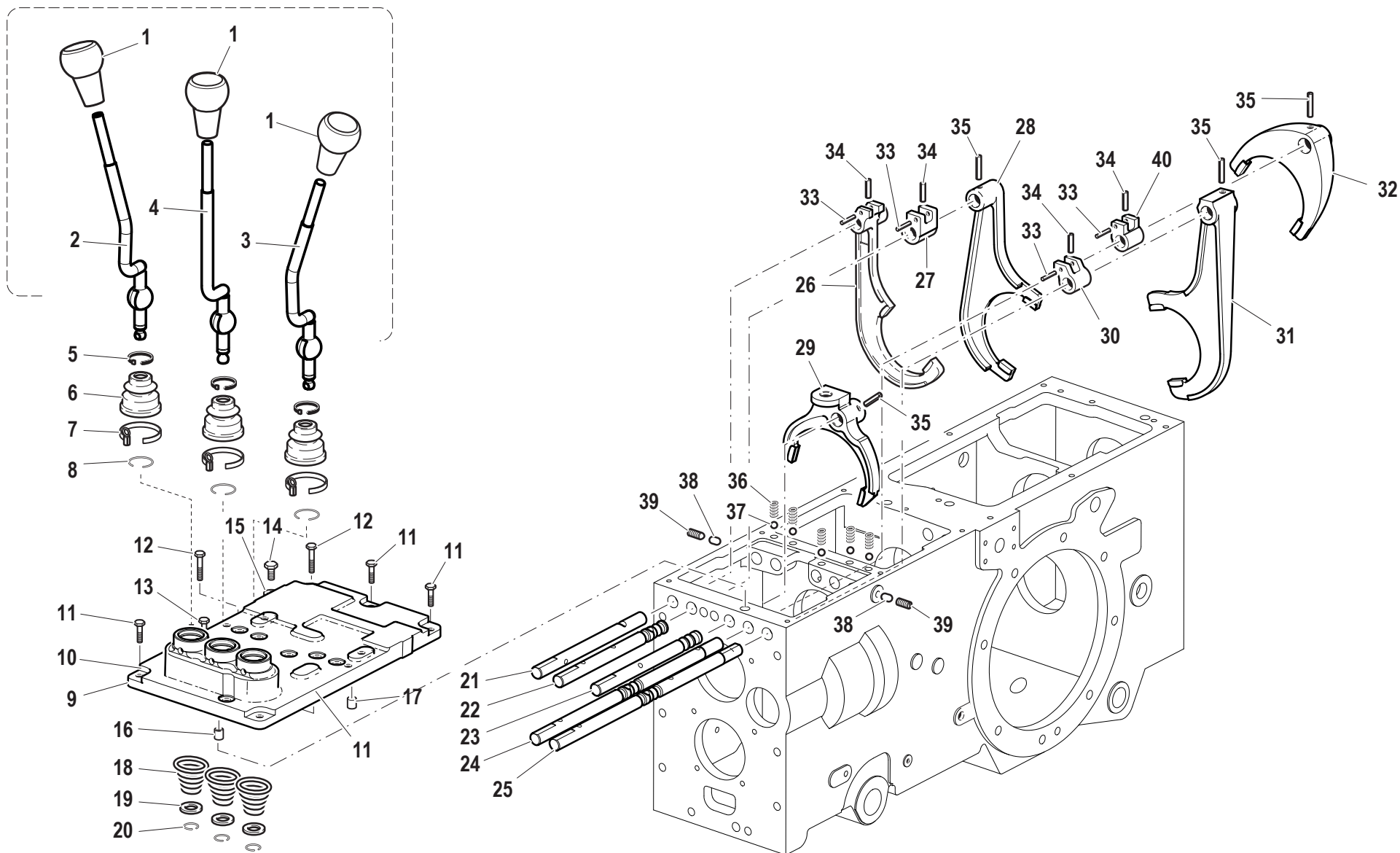
**913925**

**GEARBOX CONTROLS**

Hp 75

CODE REV

**D.07.01.L60007\_0**



Pos.	Code	Q.ty	Description	Notes
1	58174192	3	HANDLE	
2	59078624	1	COMMAND LEVER	
3	59075908	2	COMMAND LEVER	
4	59075909	1	COMMAND LEVER	
5	F0817640003	3	CLAMP 4,8x180	
6	55170053	3	CAP	
7	58170054	3	COLLAR	
8	58070169	3	LOCKRING	
9	51178808	1	GEARBOX HOUSING COVER	
10	56370018	6	HINGE PIN	
11	31112146	4	SCREW TE M8X22 UNI 5739 8G	
12	31112152	3	SCREW TE M8X30 UNI 5739 8G	
13	31112154	1	SCREW TE M8X40 UNI 5739 8G	
14	56370186	5	PLUG	
15	F0843771000	5	COPPER WASHER 10,0x16/1	
16	56170017	1	PIN	
17	56570016	1	CYLINDRICAL PLUG	
18	58070164	3	SPRING	
19	56370172	3	SPACER	
20	58070168	3	LOCKRING	
21	56375895	1	PULL ROD	
22	56375894	1	PULL ROD	
23	56370165	1	ROD	
24	56378622	1	PULL ROD	
25	56378630	1	PULL ROD	
26	52275889	1	GEAR FORK	
27	52375896	1	CATCH	
28	52272112	1	SELECTOR FORK	
29	52275888	1	SELECTOR FORK	
30	52378629	1	CATCH	
31	51278623	1	SELECTOR FORK	
32	51270771	1	SELECTOR FORK	
33	F0851156000	4	PIN 4X30 DIN 1481 CL:C72	
34	F0851262000	4	PIN 6X26 DIN 7343 CL:C72	

SERIAL  
START  
**913926**

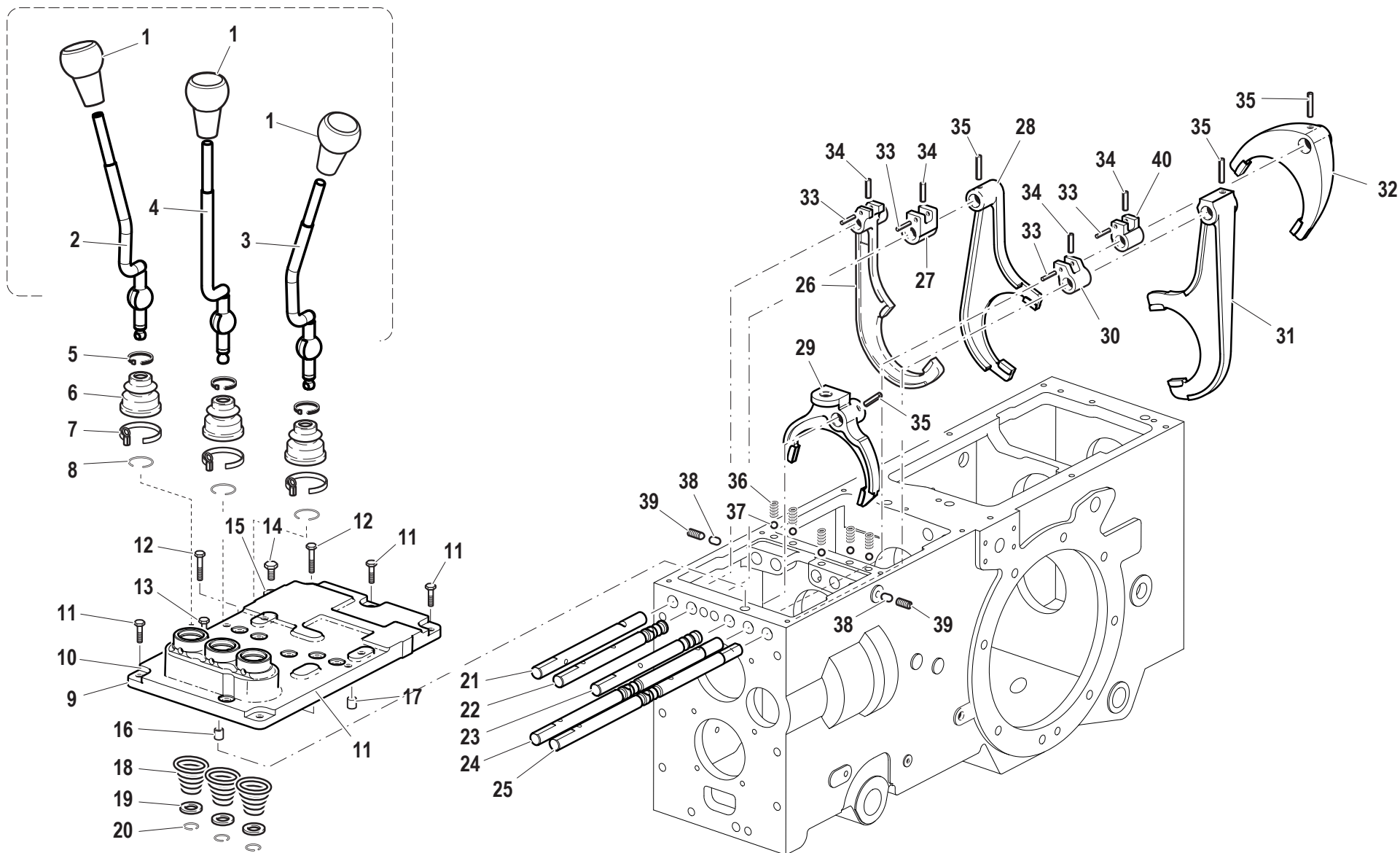
## GEARBOX CONTROLS

Hp 75

CODE REV

**D.07.01.L60007\_1**





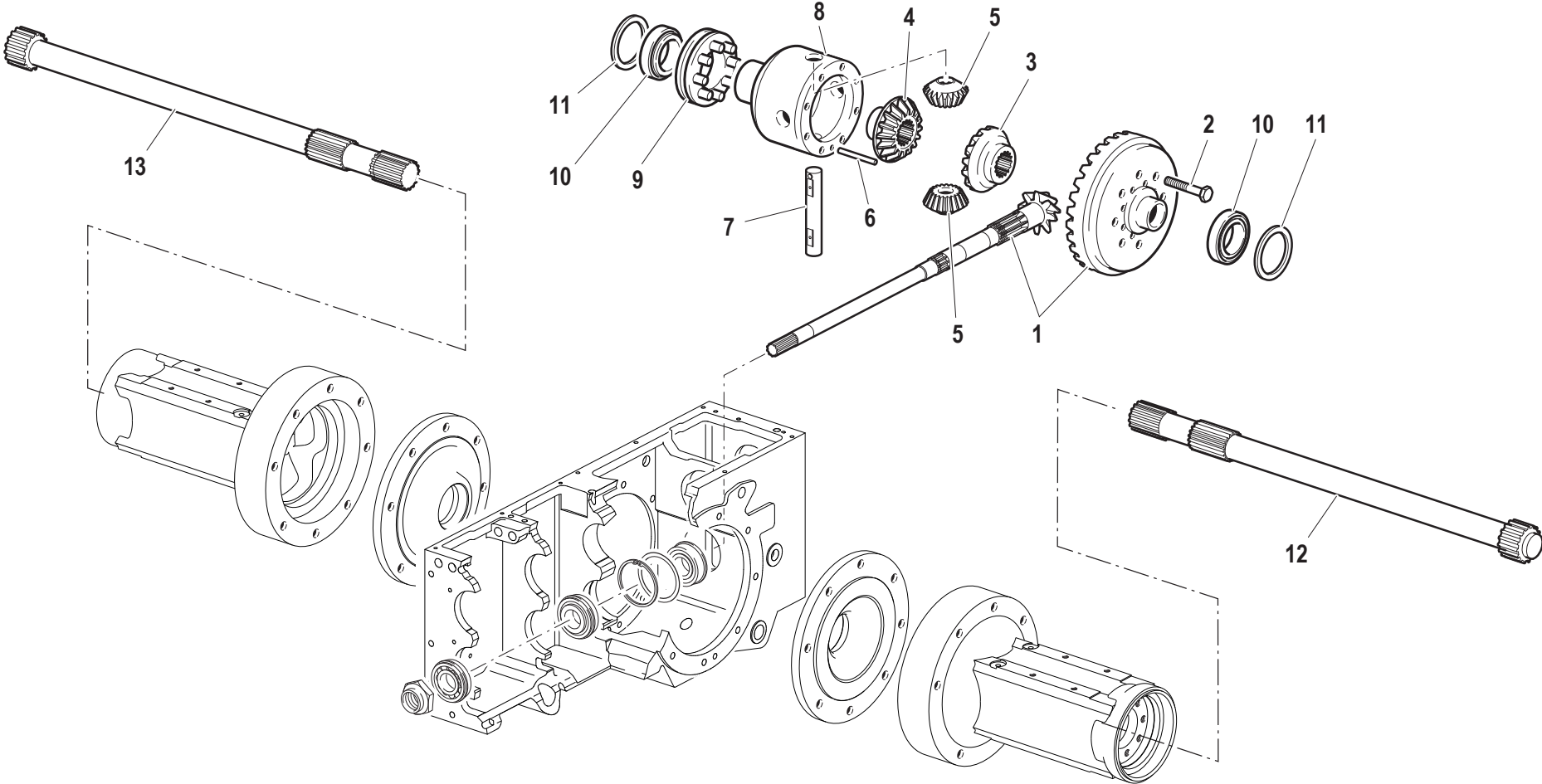
<b>Pos.</b>	<b>Code</b>	<b>Q.ty</b>	<b>Description</b>	<b>Notes</b>
35	F0851267050	3	PIN 6X30 DIN 7343 CL:C72	
36	58070741	5	SPRING	
37	F0847434000	5	BALL	
38	56570125	2	TOGGLE	
39	F0863183000	2	SCREW M10X16 UNI 5923	
40	52378628	1	CATCH	

SERIAL  
START  
**913926**

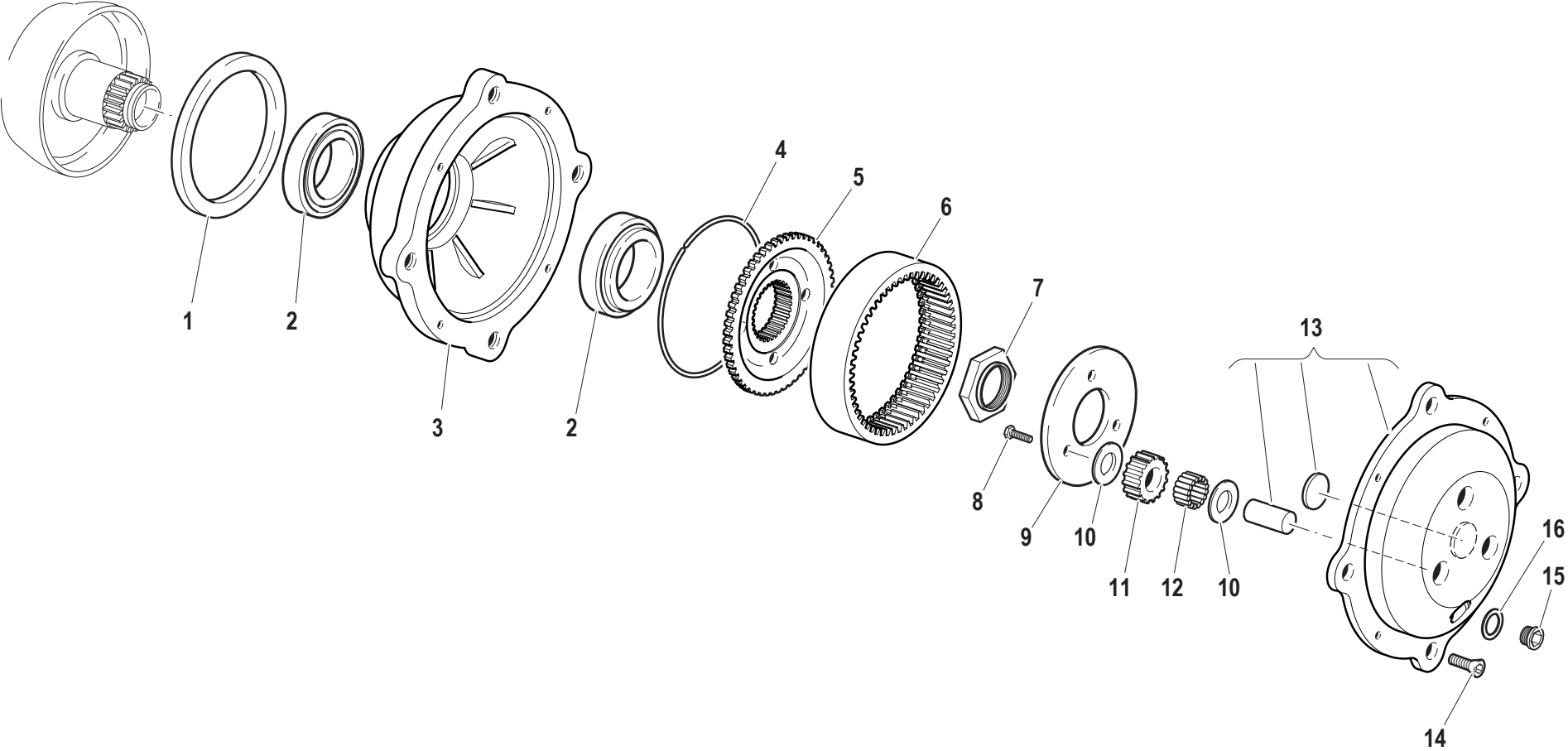
**GEARBOX CONTROLS**

Hp 75

CODE REV  
**D.07.01.L60007\_1**



Pos.	Code	Q.ty	Description	Notes
1	59376016	1	BEVEL GEAR	
2	F0863311250	8	SCREW M10x1,5x32	
3	52470062	1	PINION	
4	52470061	1	PINION	
5	52470067	2	DIFFERENTIAL PINION	
6	56371037	1	PIN	
7	56471036	1	PIN	
8	51371035	1	HOUSING	
9	59070065	1	SLEEVE	
10	F0812956000	2	BEARING 32010 X/Q	
11	56370089		RING	
11	56370127		RING	
11	56370128		RING	
11	56370830		RING	
12	52470106	1	REAR AXLE SHAFT	
13	52470105	1	REAR AXLE SHAFT	

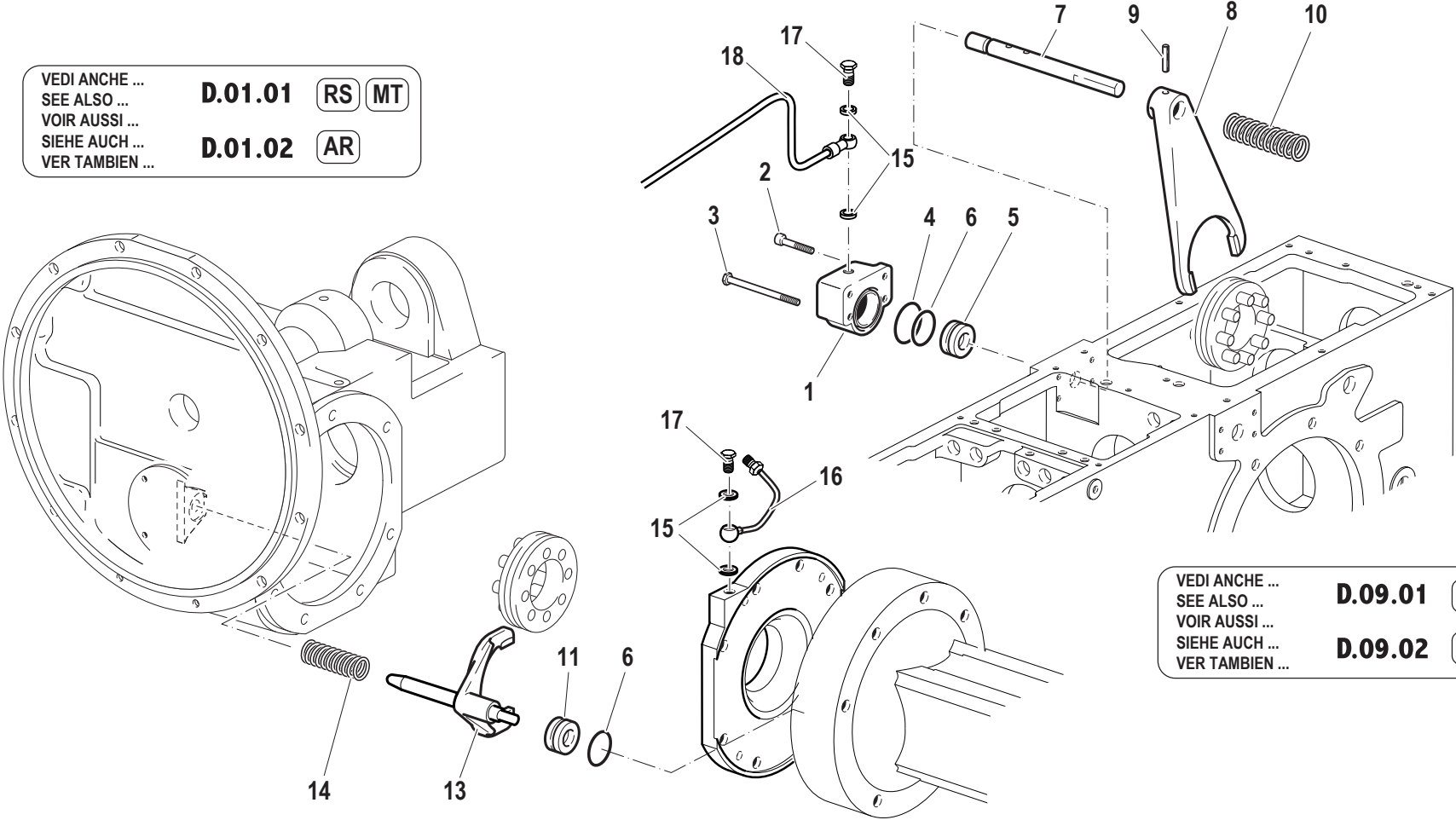


Pos.	Code	Q.ty	Description	Notes
1	F0802700150	2	SEAL 125x150x12	
2	F0812975250	4	CYL. ROLLER BEARING 32013X	
3	51172005	2	HUB	
4	58070071	2	RING	
5	52370075	2	FLANGE	
6	52370072	2	CROWN WHEEL	
7	56370079	2	RING NUT	
8	F0862478070	6	SCREW M8x16	
9	56170074	2	ADJUSTING RING	
10	56370076	12	SHIM	
11	52470087	6	PLANETARY GEAR	
12	58170070	6	ROLLER BEARING	
13	59070094	2	COVER	
14	F0862655000	8	SCREW M8X25-5933	
15	56370081	2	PLUG	
16	F0844273090	2	GASKET 22X28X1,5 CU 99,5	

# BLOCCAGGIO DIFFERENZIALE

SERIAL END 907754

VEDI ANCHE ... **D.01.01** **RS** **MT**  
 SEE ALSO ...  
 VOIR AUSSI ...  
 SIEHE AUCH ... **D.01.02** **AR**  
 VER TAMBIEN ...



VEDI ANCHE ... **D.09.01** **RS** **MT**  
 SEE ALSO ...  
 VOIR AUSSI ...  
 SIEHE AUCH ... **D.09.02** **AR**  
 VER TAMBIEN ...

Pos.	Code	Q.ty	Description	Notes
1	52376153	1	SMALL BLOCK	021/05
2	31152085	2	SCREW TCEI M8X25 UNI 5931	
3	31112161	2	SCREW TE M8X50 UNI 5737 8G	
4	F0803209000	1	O-RING	
5	56370187	1	PISTON	
6	58170195	2	GASKET	
7	56376256	1	LOCKING DEVICE	
8	51278573	1	FORK	
9	F0851267050	1	PIN 6X30 DIN 7343 CL:C72	
10	58070198	1	SPRING	
11	56370583	1	PISTON	
13	59375869	1	SELECTOR FORK	
14	58070205	1	SPRING	
15	P254124000000	4	WASHER	
16	59076501	1	PIPE	
17	56178695	2	THREADED TERMINAL END	
18	59076215	1	PIPE	
19	56176127	1	BUSHING	
20	34213054	1	ROLL PIN	

SERIAL  
END

907754

**BLOCCAGGIO DIFFERENZIALE**

Hp 75

CODE REV

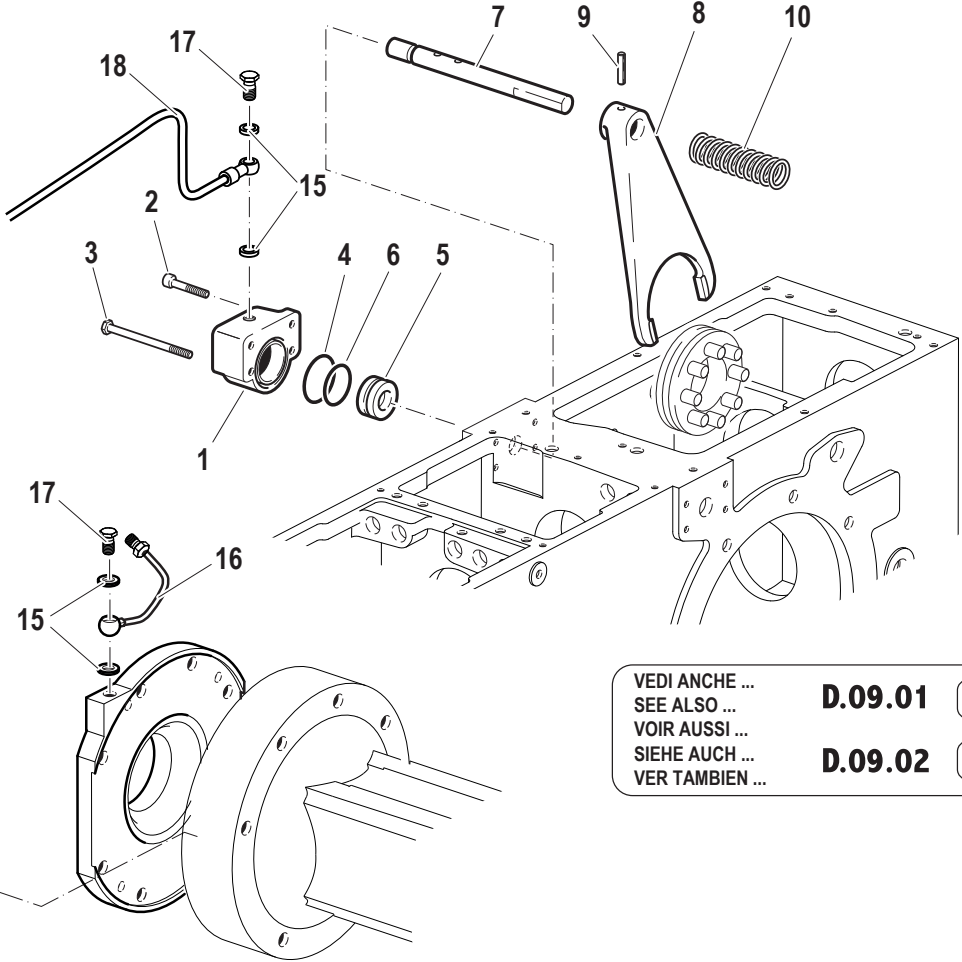
D.11.01.L60007\_0



# BLOCCAGGIO DIFFERENZIALE

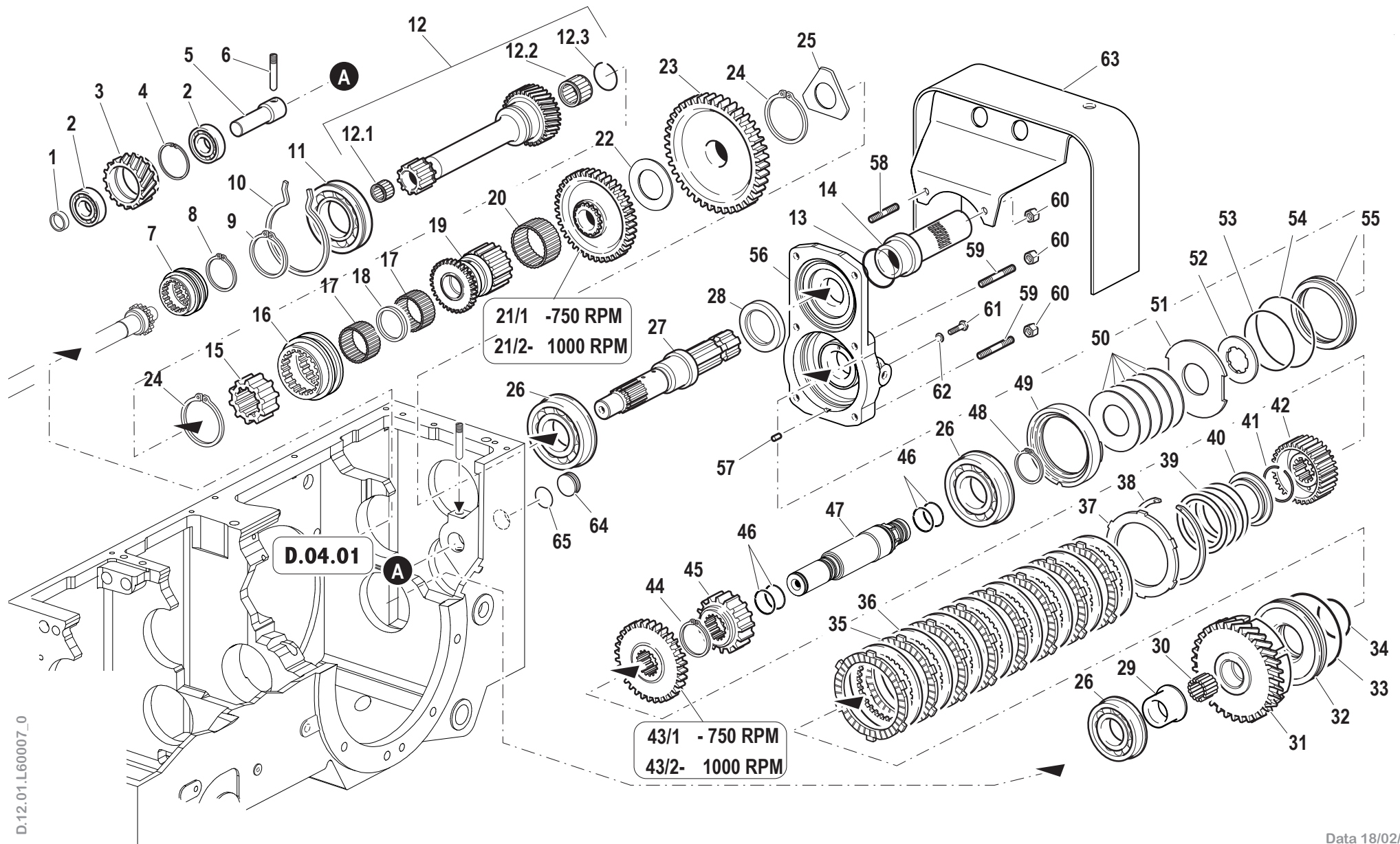
SERIAL START 907755

VEDI ANCHE ... **D.01.01** **RS** **MT**  
 SEE ALSO ...  
 VOIR AUSSI ...  
 SIEHE AUCH ... **D.01.02** **AR**  
 VER TAMBIEN ...



VEDI ANCHE ... **D.09.01** **RS** **MT**  
 SEE ALSO ...  
 VOIR AUSSI ...  
 SIEHE AUCH ... **D.09.02** **AR**  
 VER TAMBIEN ...

Pos.	Code	Q.ty	Description	Notes
1	52378576	1	LOCKING MECHANISM	062/06
2	31152085	2	SCREW TCEI M8X25 UNI 5931	
3	31112161	2	SCREW TE M8X50 UNI 5737 8G	
4	F0803209000	1	O-RING	
5	56370187	1	PISTON	
6	58170195	2	GASKET	
7	56376256	1	LOCKING DEVICE	
8	51278573	1	FORK	
9	F0851267050	1	PIN 6X30 DIN 7343 CL:C72	
10	58070198	1	SPRING	
11	56370583	1	PISTON	
13	59375869	1	SELECTOR FORK	
14	58070205	1	SPRING	
15	P254124000000	4	WASHER	
16	59076501	1	PIPE	
17	56178695	2	THREADED TERMINAL END	
18	59076215	1	PIPE	
19	56176127	1	BUSHING	
20	34213054	1	ROLL PIN	



Pos.	Code	Q.ty	Description	Notes
1	56171572	1	SPACER	
2	F0812637000	2	BEARING 6204 (20x47x14)	
3	52476868	1	INTERMEDIATE WHEEL	
4	35111047	1	SEEGER RING	
5	56174108	1	GEAR PIN	
6	56370178	1	SCREW	
7	52470298	1	SLEEVE	
8	35121040	1	SEEGER RING	
9	F0801353000	1	SEEGER RING	
10	58170130	1	CIRCLIP	
11	F0812957010	1	BEARING 6210-N (50/90/20)	
12	59900376	1	PTO SHAFT	
13	P470433000000	1	PROTECTIVE RING	
14	P470330000000	1	GUARD	
15	52476068	1	SLEEVE	
16	52476062	1	SHIFTING CLAW	
17	F0812784000	2	ROLLER CAGE K 32X37/27 H	
18	56076074	1	SPACER	
19	52476067	1	SLEEVE	
20	F0812951300	1	ROLLER CAGE K 50X55/27 H	
22	56475568	1	SHIM	
23	52475991	1	DRIVEN GEAR	
24	F0801244080	2	SEEGER RING	
25	56476073	1	SHIM	
26	F0812918010	3	BEARING 6308-NR (40x90x23)	
27	59978087	1	KIT	
28	F0802228005	1	SEAL 48x65/10	
29	56470987	1	BUSHING	
30	F0812736010	1	ROLLER CAGE K 30X35/20 H	
31	52475562	1	CLUTCH HOUSING	
32	53273886	1	PISTON	
33	58172400	1	GASKET	
34	58172402	1	GASKET	
35	58172447	8	DISC	

SERIAL  
END

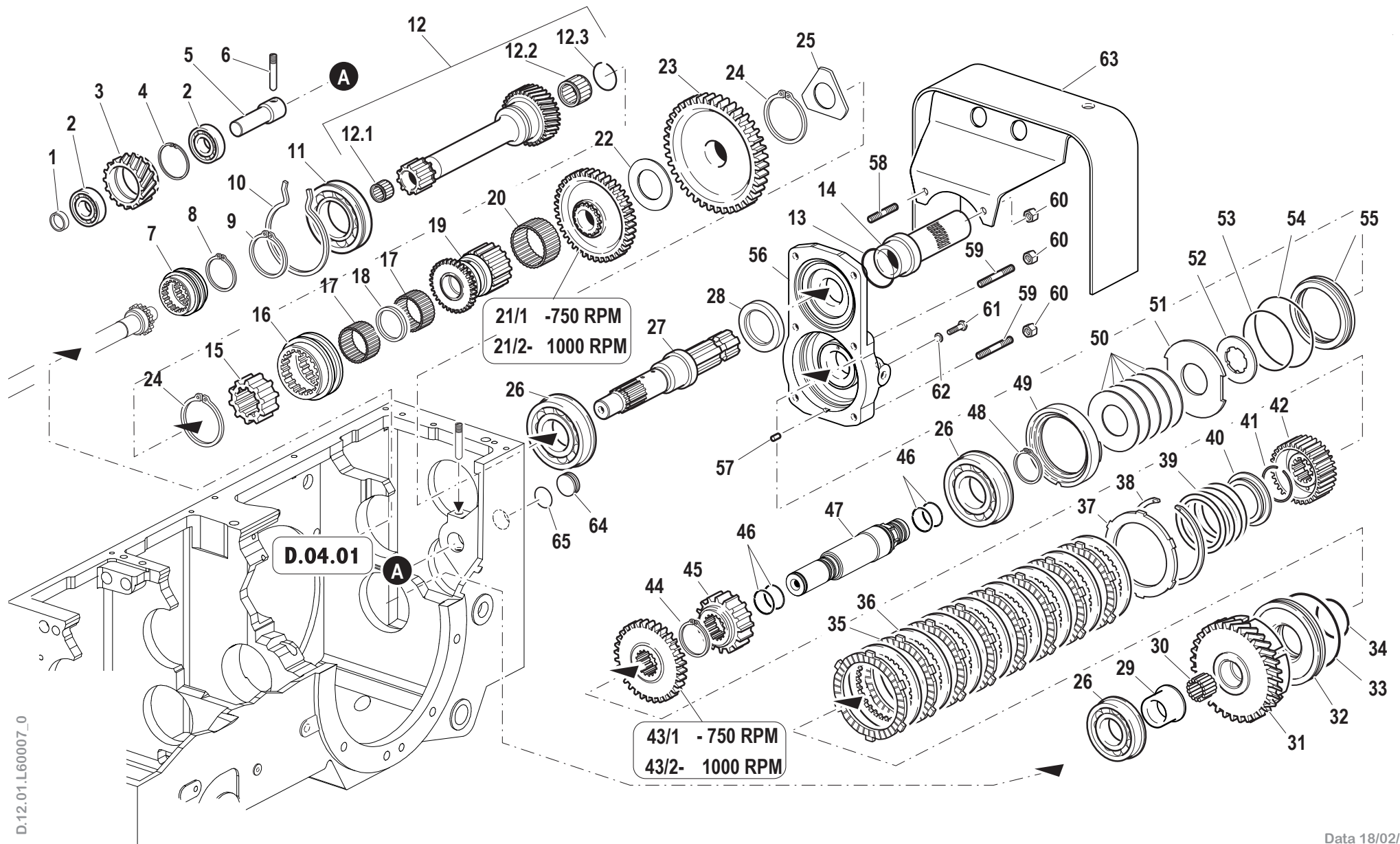
911148

PRESA DI FORZA

Hp 75

CODE REV

D.12.01.L60007\_0



Pos.	Code	Q.ty	Description	Notes
36	58172448	8	DISC	
37	52372292	1	RING	
38	58072389	1	CIRCLIP	
39	58074092	1	RESTORING SPRING	
40	56372282	1	RING	
41	58072399	1	SAFETY RING	
42	52475565	1	DISC HUB	
44	F0801282050	1	SEEGER RING	
45	52475992	1	GEAR	
46	58072398	4	SEAL	
47	59276076	1	SHAFT	
48	F0801297050	1	SEEGER RING	
49	56475516	1	SPACER	
50	59978093	1	KIT	
51	56475517		BRAKE DISC	
51	56475518		CLUTCH DISC	
51	56473890		BRAKE DISC	
51	56474713		BRAKE DISC	
51	56474714		BRAKE DISC	
52	56475844	1	CLUTCH DISC	
53	38116317	1	RING	
54	38118720	1	O-RING	
55	53273891	1	PISTON	
56	59377433	1	COVER	
57	F0851226000	1	PIN 6X12 UNI 1707 CL:C20	
58	F0838154010	2	STUD BOLT M8X25 UNI 5911 8.8	
59	31312089	4	STUD BOLT M8x52x14x18	
60	31211080	6	NUT M8	
61	F0862448100	1	SCREW M8X10 UNI 5740	
62	F0843641000	1	COPPER WASHER 8x14/1,5	
63	59074993	1	P.T.O. PROTECTION	
64	56074313	1	PLUG	
65	F0803199010	1	O-RING	
12.1	F0812599086	1	BUSHING HK1816	

SERIAL  
END

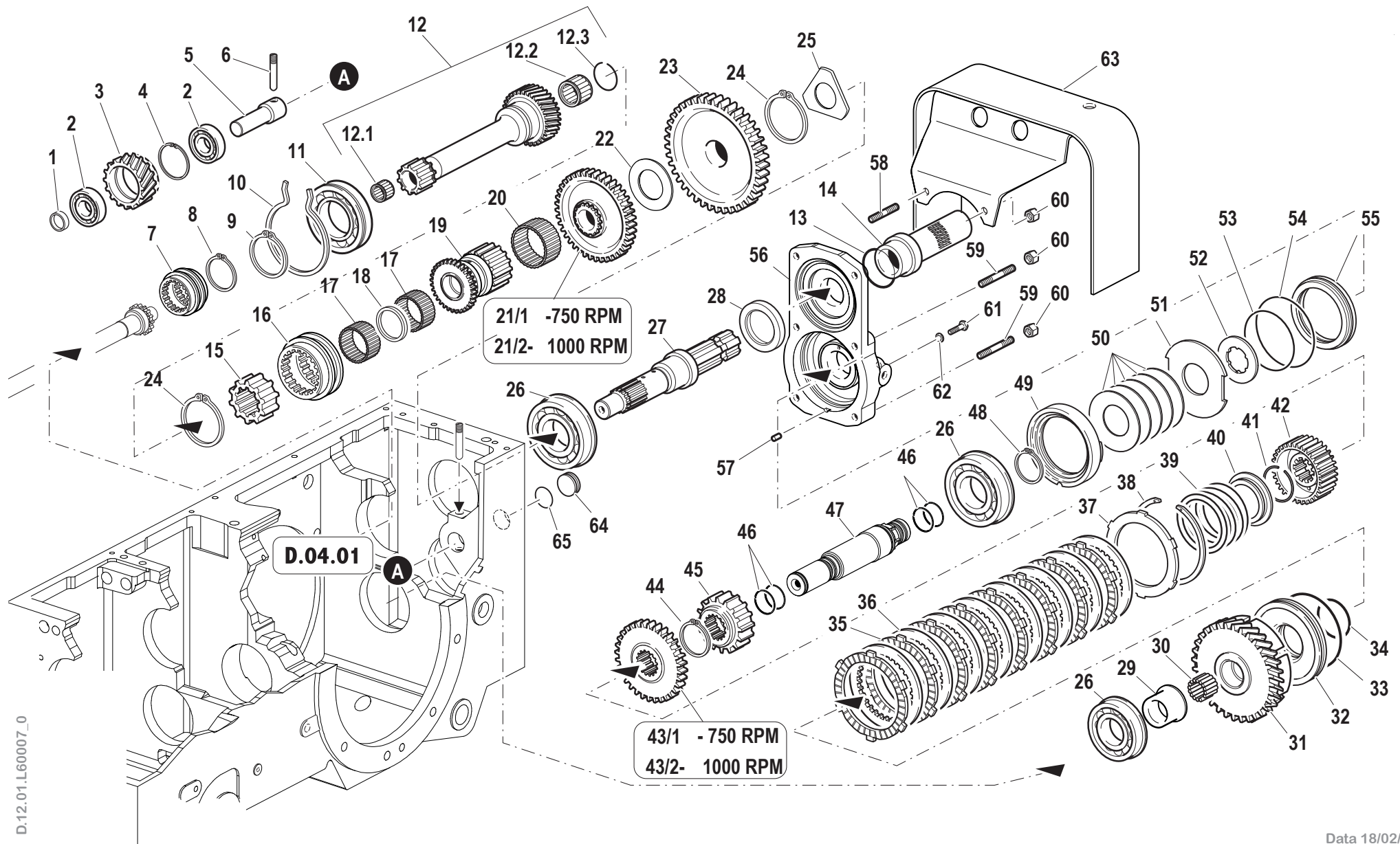
**911148**

**PRESA DI FORZA**

Hp 75

CODE REV

**D.12.01.L60007\_0**



Pos.	Code	Q.ty	Description	Notes
12.2	F0812689050	1	ROLLER CAGE K 25X33/20	
12.3	F0801248000	1	SAFETY RING	
21/1	52476065	1	DRIVEN GEAR	
21/2	52476066	1	DRIVEN GEAR	
43/1	52475994	1	GEAR	
43/2	52475996	1	GEAR	

SERIAL  
END

**911148**

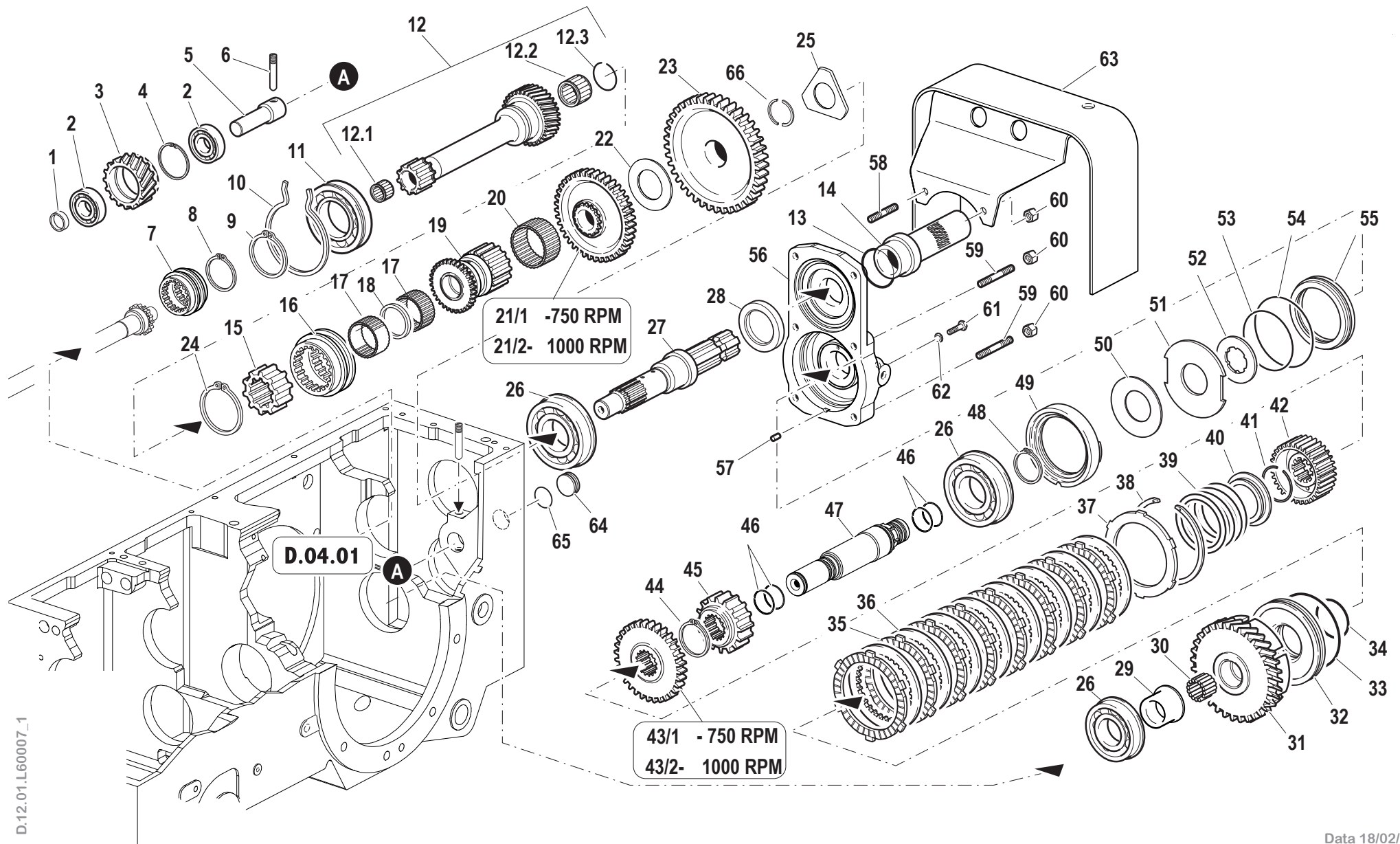
**PRESA DI FORZA**

Hp 75

CODE REV

**D.12.01.L60007\_0**





Pos.	Code	Q.ty	Description	Notes
1	56171572	1	SPACER	
2	F0812637000	2	BEARING 6204 (20x47x14)	
3	52476868	1	INTERMEDIATE WHEEL	
4	35111047	1	SEEGER RING	
5	56174108	1	GEAR PIN	
6	56370178	1	SCREW	
7	52470298	1	SLEEVE	
8	35121040	1	SEEGER RING	
9	F0801353000	1	SEEGER RING	
10	58170130	1	CIRCLIP	
11	F0812957010	1	BEARING 6210-N (50/90/20)	
12	59900376	1	PTO SHAFT	
13	P470433000000	1	PROTECTIVE RING	
14	P470330000000	1	GUARD	
15	52476068	1	SLEEVE	
16	52476062	1	SHIFTING CLAW	
17	F0812784000	2	ROLLER CAGE K 32X37/27 H	
18	37931413	1	SAFETY RING	
19	52478568	1	SHIFTING CLAW	
20	F0812951300	1	ROLLER CAGE K 50X55/27 H	
22	56475568	1	SHIM	
23	52475991	1	DRIVEN GEAR	
24	F0801244080	1	SEEGER RING	
25	56478567	1	SHIM	
26	F0812918010	1	BEARING 6308-NR (40x90x23)	
27	52478565	1	PTO SHAFT	
28	F0802228005	1	SEAL 48x65/10	
29	56470987	1	BUSHING	
30	F0812736010	1	ROLLER CAGE K 30X35/20 H	
31	52475562	1	CLUTCH HOUSING	
32	53273886	1	PISTON	
33	58172400	1	GASKET	
34	58172402	1	GASKET	
35	58172447	8	DISC	

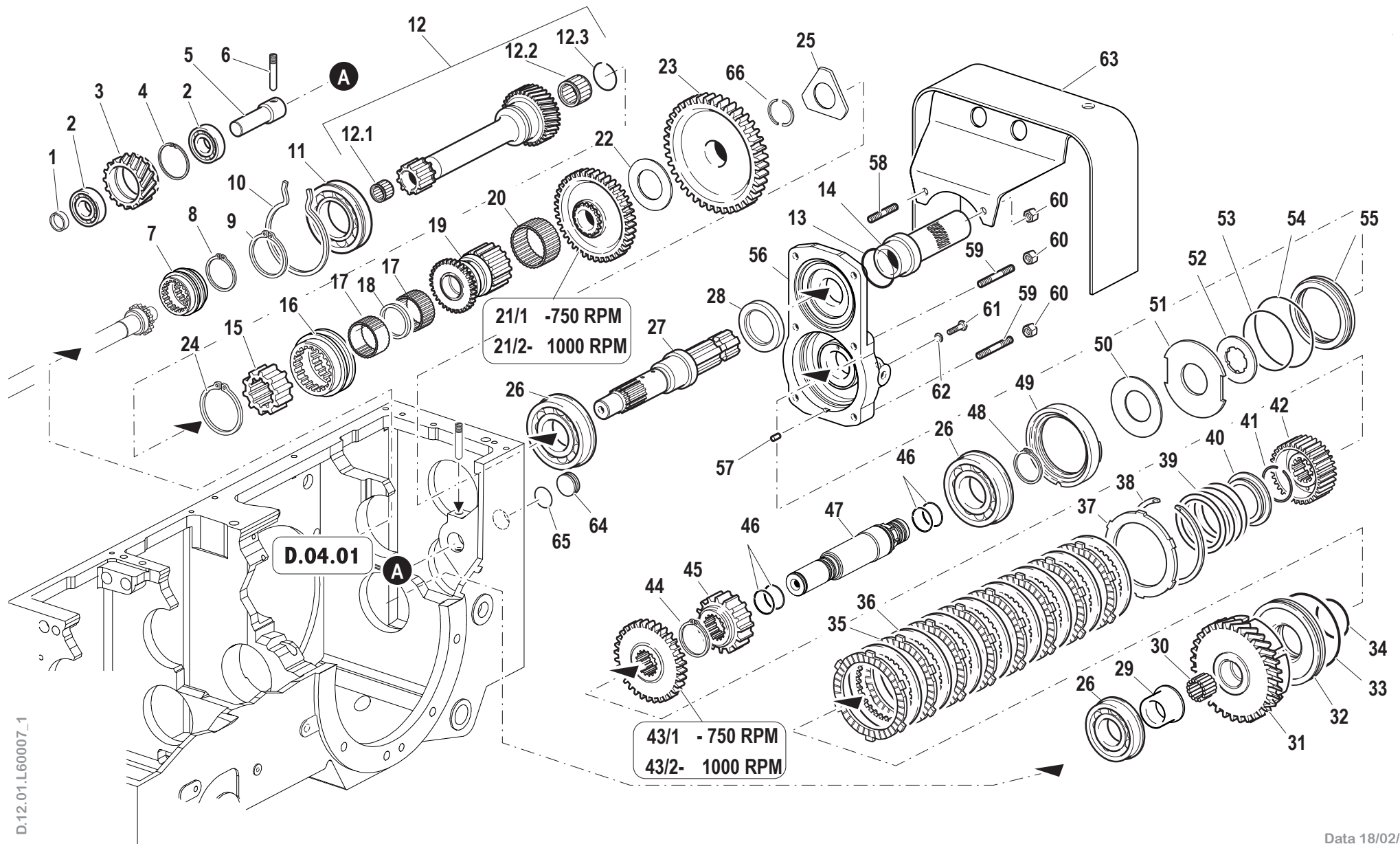
SERIAL  
START  
**911149**

**PRESA DI FORZA**

Hp 75

CODE REV

**D.12.01.L60007\_1**



Pos.	Code	Q.ty	Description	Notes
36	58172448	8	DISC	
37	52372292	1	RING	
38	58072389	1	CIRCLIP	
39	58074092	1	RESTORING SPRING	
40	56372282	1	RING	
41	58072399	1	SAFETY RING	
42	52475565	1	DISC HUB	
44	F0801282050	1	SEEGER RING	
45	52475992	1	GEAR	
46	58072398	4	SEAL	
47	59276076	1	SHAFT	
48	F0801297050	1	SEEGER RING	
49	56475516	1	SPACER	
50	58073889	1	CUP SPRING	
51	56475517		BRAKE DISC	
51	56475518		CLUTCH DISC	
51	56473890		BRAKE DISC	
51	56474713		BRAKE DISC	
51	56474714		BRAKE DISC	
52	56475844	1	CLUTCH DISC	
53	38116317	1	RING	
54	38118720	1	O-RING	
55	53273891	1	PISTON	
56	59377433	1	COVER	
57	F0851226000	1	PIN 6X12 UNI 1707 CL:C20	
58	F0838154010	2	STUD BOLT M8X25 UNI 5911 8.8	
59	31312089	4	STUD BOLT M8x52x14x18	
60	31211080	6	NUT M8	
61	F0862448100	1	SCREW M8X10 UNI 5740	
62	F0843641000	1	COPPER WASHER 8x14/1,5	
63	59074993	1	P.T.O. PROTECTION	
64	56074313	1	PLUG	
65	F0803199010	1	O-RING	
66	56378566	2	HALF RING	

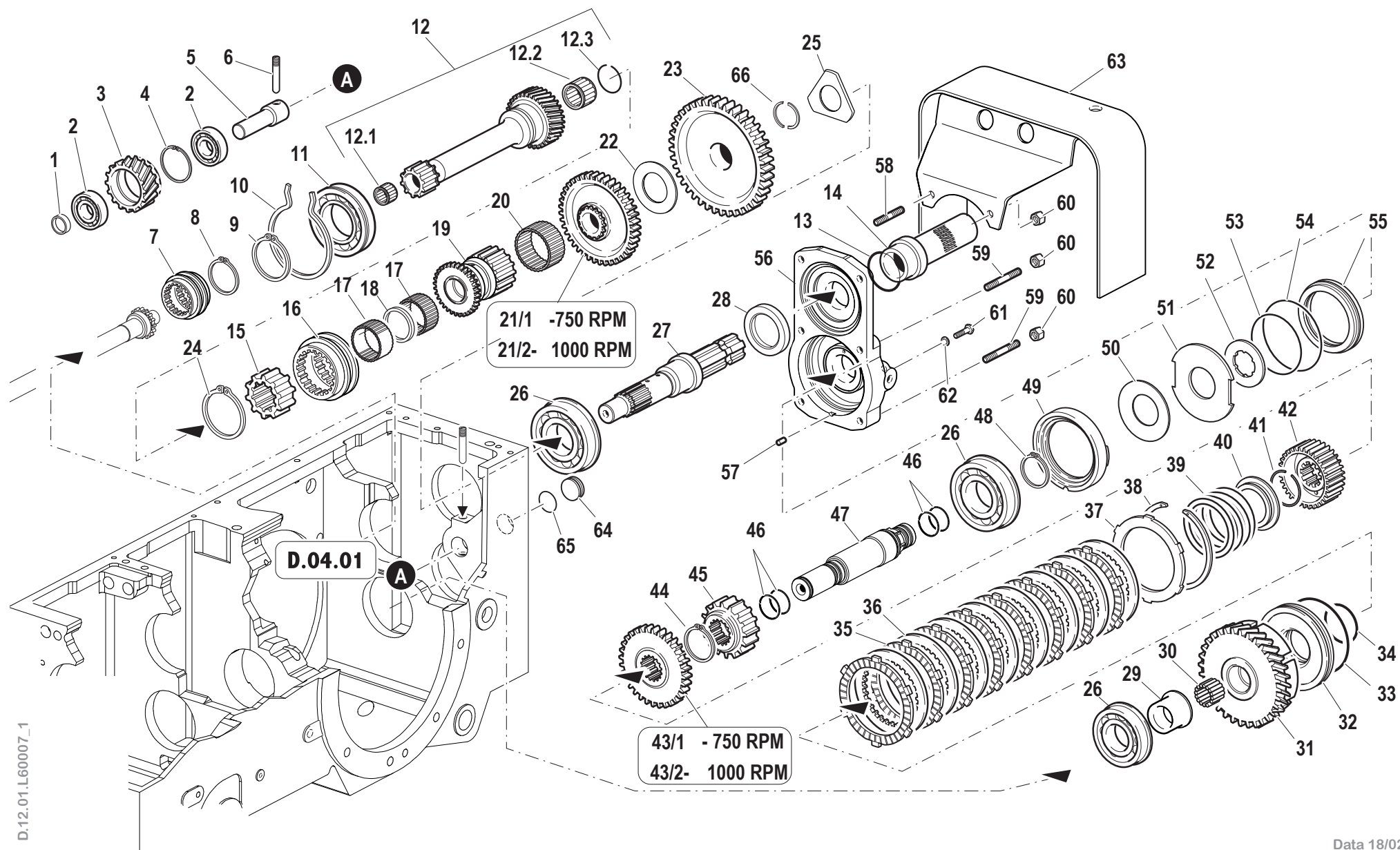
SERIAL  
START  
**911149**

**PRESA DI FORZA**

Hp 75

CODE REV

**D.12.01.L60007\_1**

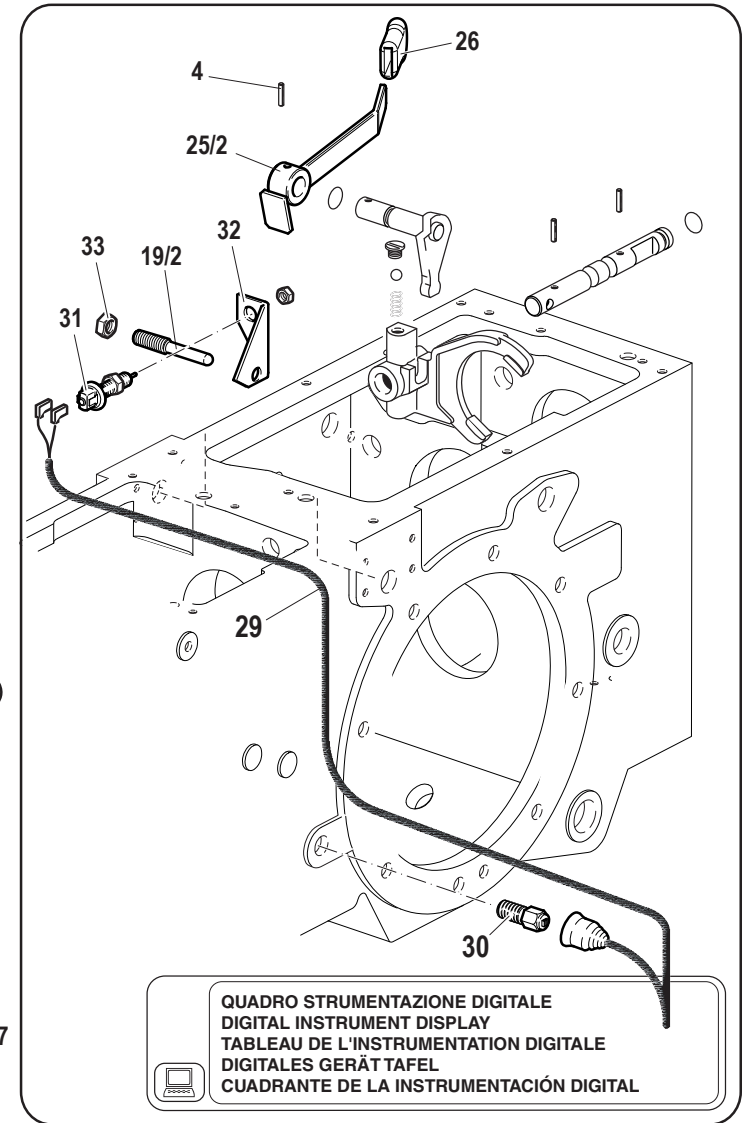
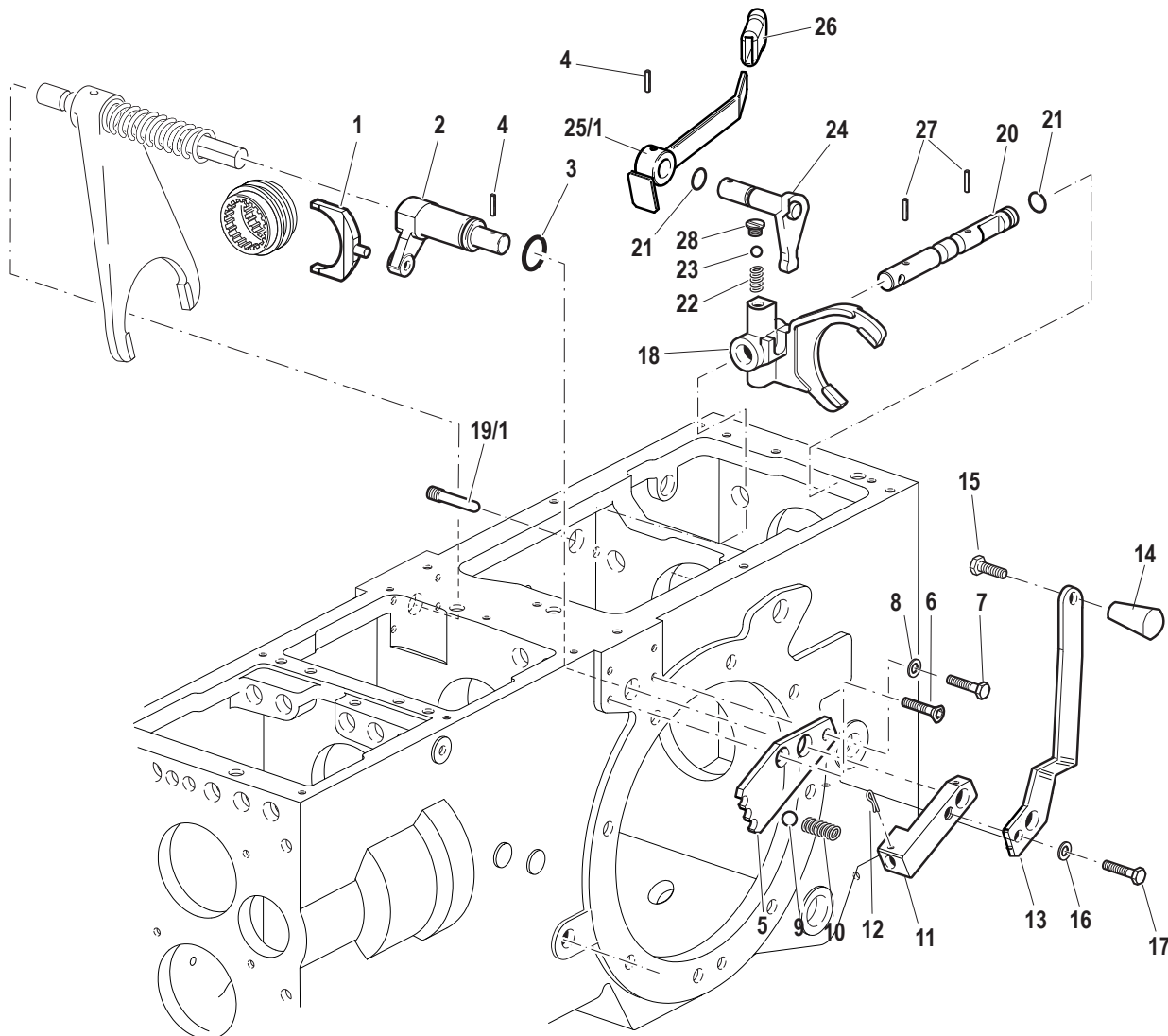


Pos.	Code	Q.ty	Description	Notes
12.1	F0812599086	1	BUSHING HK1816	
12.2	F0812689050	1	ROLLER CAGE K 25X33/20	
12.3	F0801248000	1	SAFETY RING	
21/1	52476065	1	DRIVEN GEAR	
21/2	52476066	1	DRIVEN GEAR	
43/1	52475994	1	GEAR	
43/2	52475996	1	GEAR	

SERIAL  
START  
**911149**

**PRESA DI FORZA**  
Hp 75

CODE REV  
**D.12.01.L60007\_1**



Pos.	Code	Q.ty	Description	Notes
1	56470299	1	SELECTOR FORK	
2	52370152	1	LEVER	
3	38112200	1	O-RING	
4	34211054	2	ROLL PIN	
5	56178574	1	PLATE	
6	31132566	1	SCREW TSVEI M8X20 UNI 5933	
7	31112150	1	SCREW TE M8X20 UNI 5739 8G	
8	F0843570000	1	WASHER 6	
9	F0847462000	1	BALL RB-11.112	
10	F0831047000	1	SPRING	
11	56178575	1	LEVER	
12	34110029	1	SPLIT PIN	
13	56079368	1	COMMAND LEVER	
14	58177240	1	GRIP	
15	31112093	1	SCREW TE M6X20	
16	F0843643060	1	WASHER 8	
17	31111151	1	SCREW TE M8X16 UNI 5739 8G	
18	51275570	1	SELECTOR FORK	
20	56375571	1	ROD	
21	38111078	2	O-RING	
22	58070741	2	SPRING	
23	F0847434000	2	BALL	
24	59075572	1	LEVER	
26	F0837534060	1	GRIP	
27	F0851180000	2	PIN 5X26 DIN 1481 CL:C72	
28	56076055	1	PLUG	
29	58076512	1	CABLE	
30	58176969	1	SENSOR	
31	F0825488000	1	SWITCH	
32	56176994	1	BRACKET	
33	31231090	1	NUT M10	
19/1	56370178	1	SCREW	
19/2	56376995	1	SCREW	
25/1	59078865	1	LEVER	

SERIAL

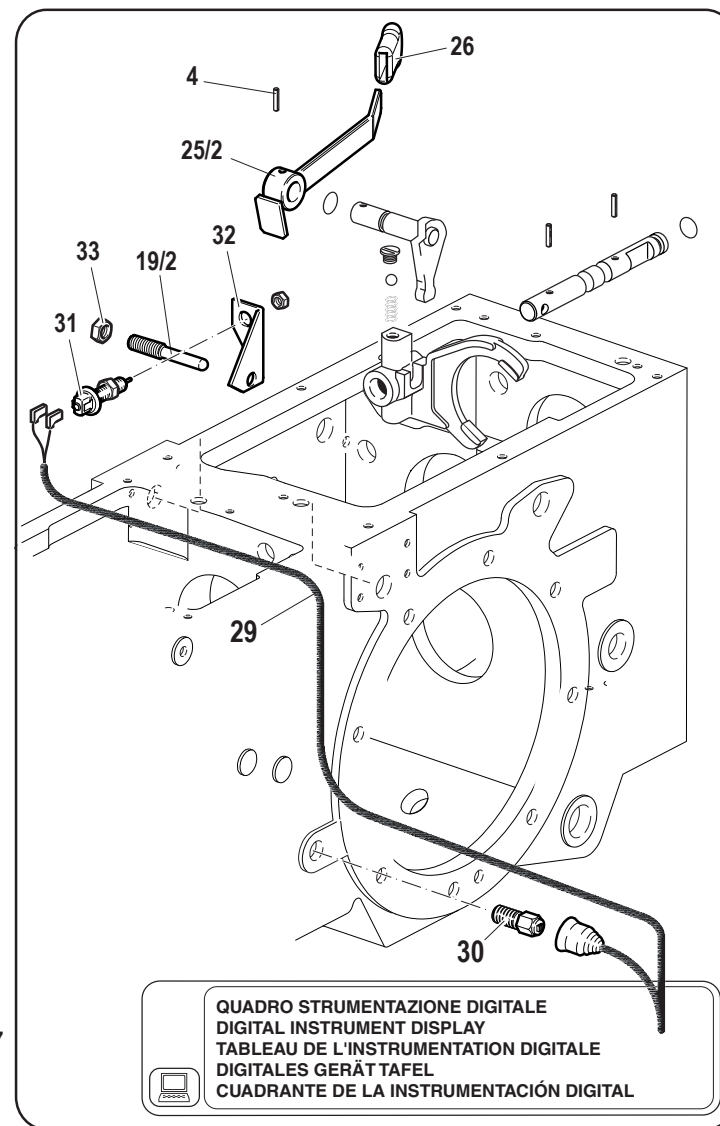
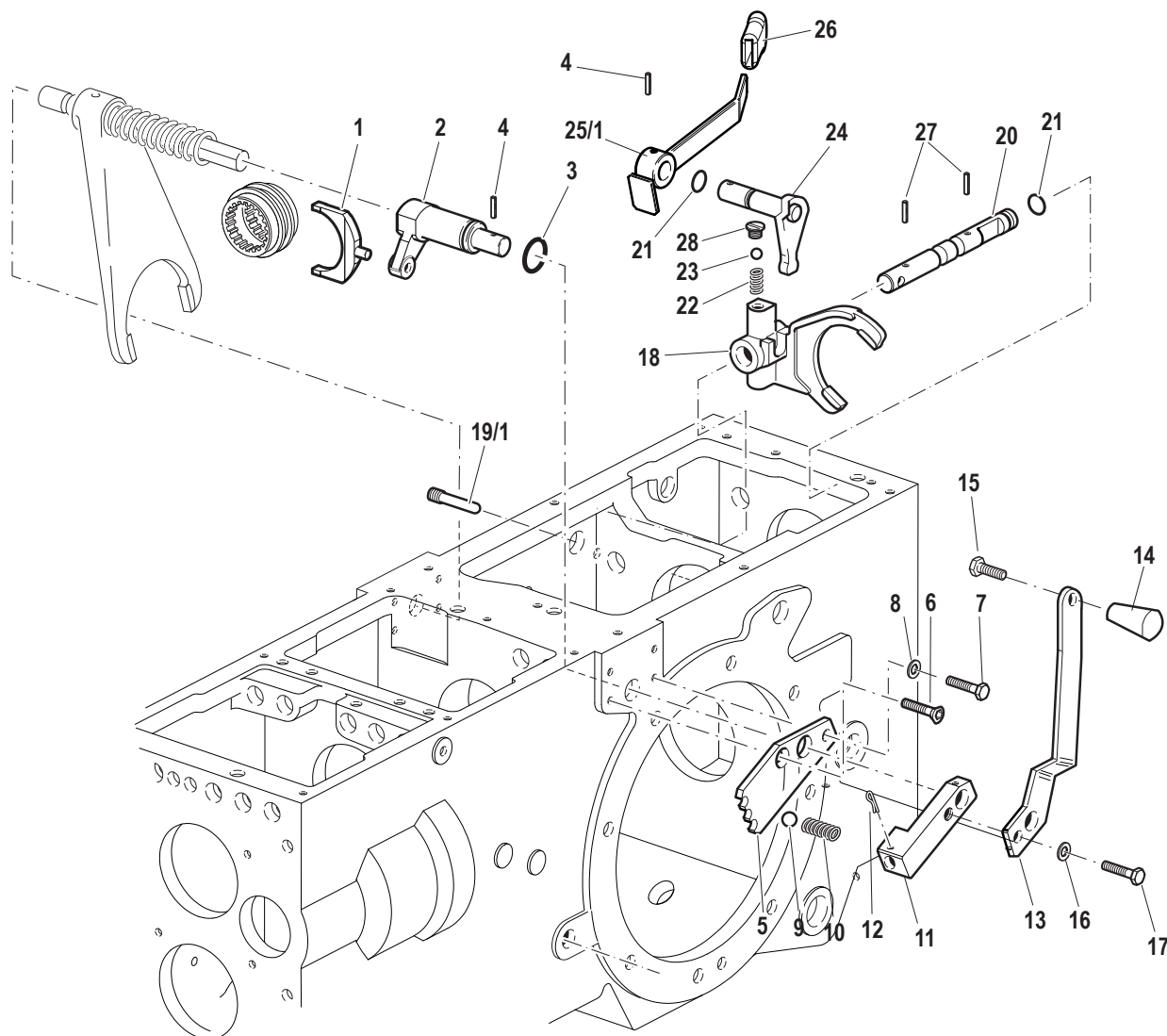
COMANDI PRESA DI FORZA

Hp 75

CODE REV

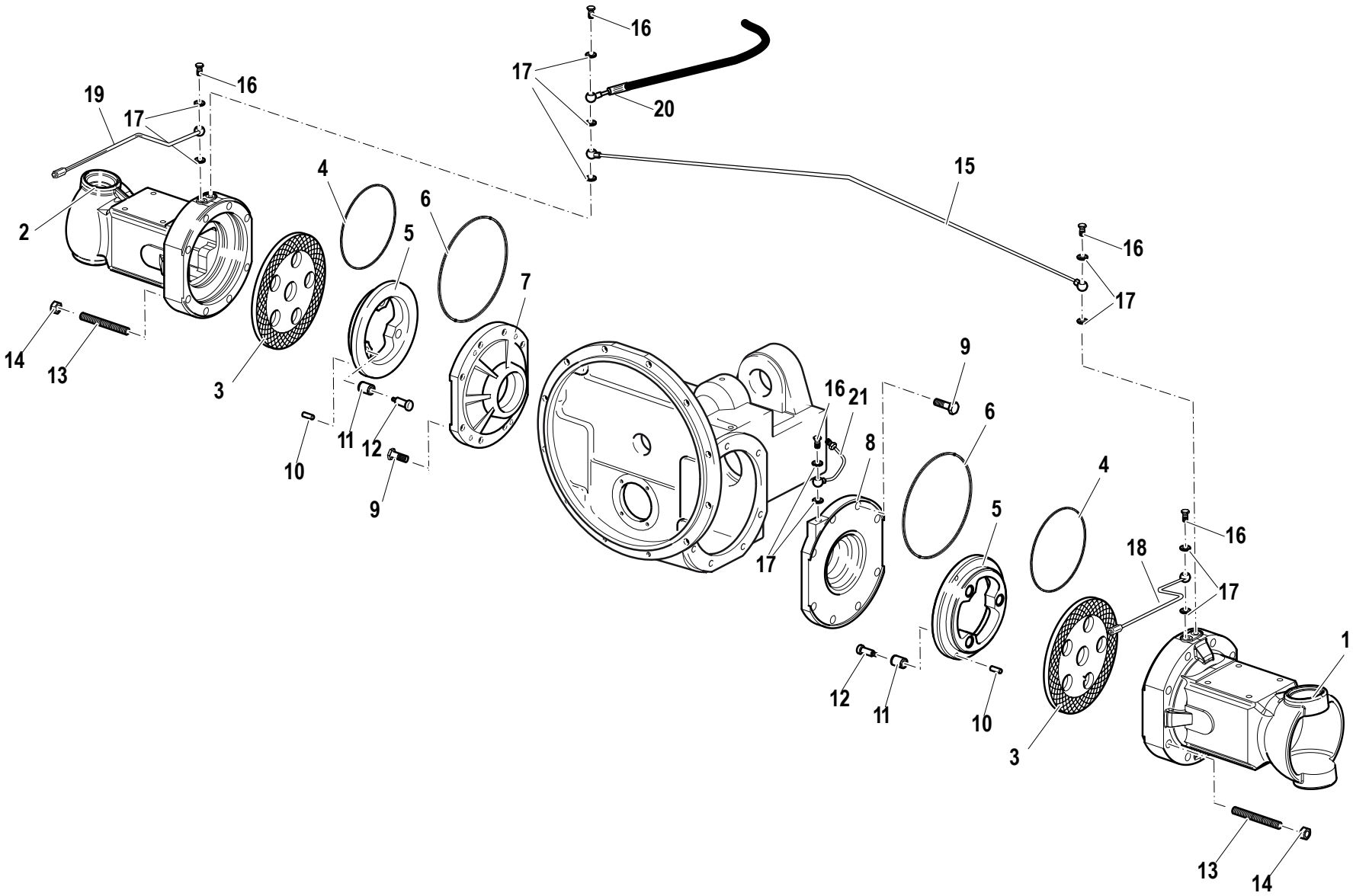
D.12.02.L60007\_0



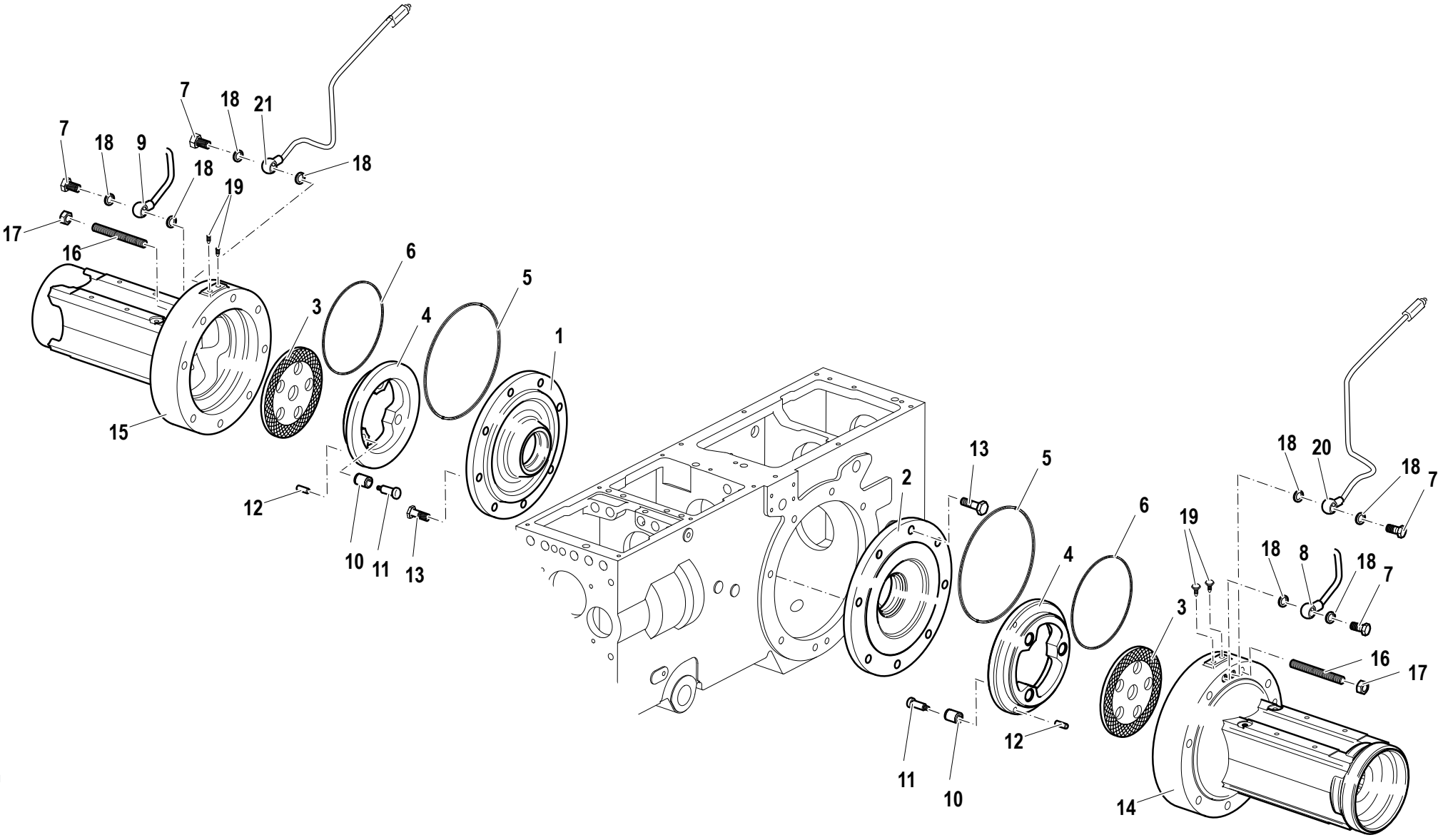


QUADRO STRUMENTAZIONE DIGITALE  
 DIGITAL INSTRUMENT DISPLAY  
 TABLEAU DE L'INSTRUMENTATION DIGITALE  
 DIGITALES GERÄT TAFEL  
 CUADRANTE DE LA INSTRUMENTACIÓN DIGITAL

Pos.	Code	Q.ty	Description	Notes
25/2	59078868	1	LEVER	

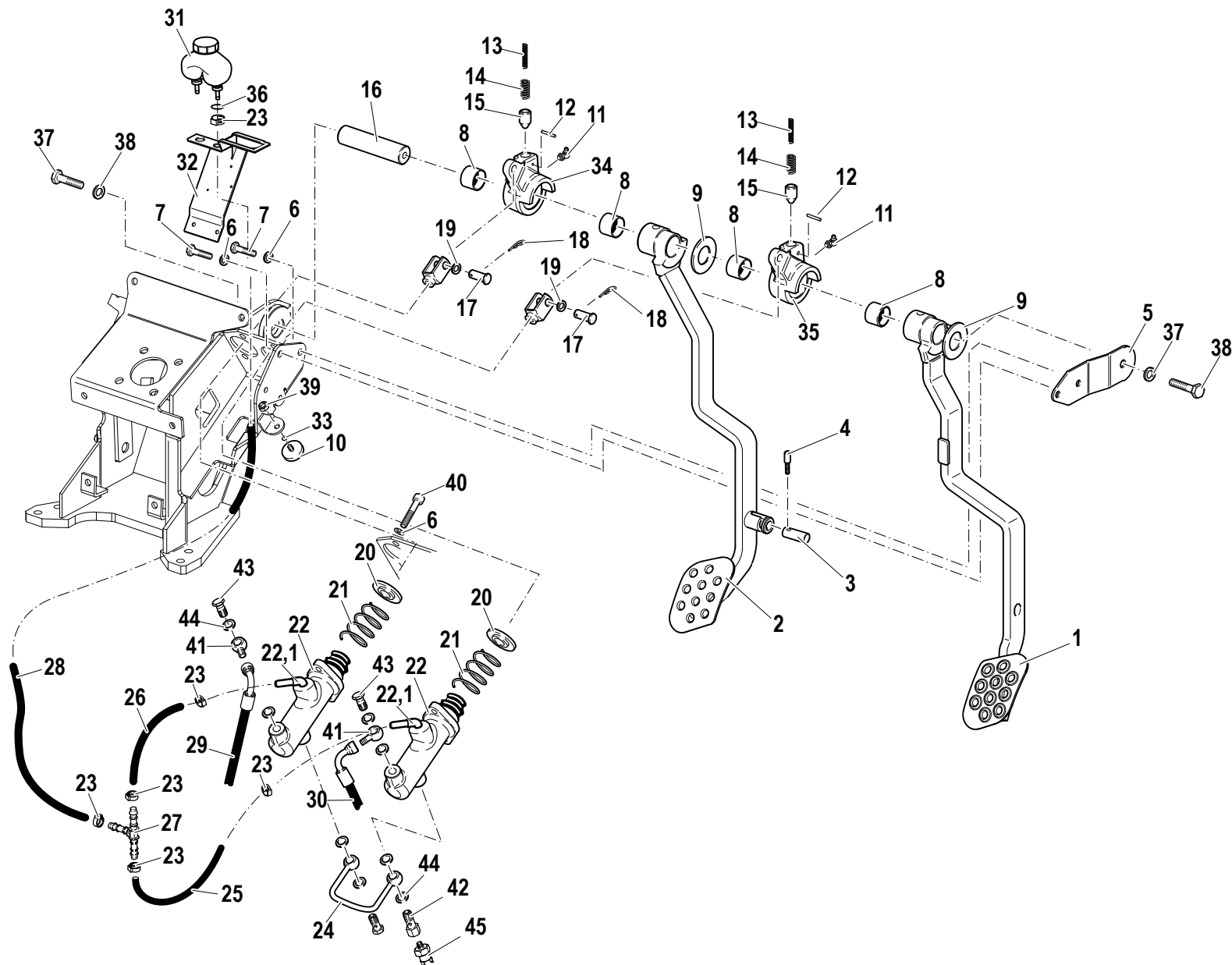


Pos.	Code	Q.ty	Description	Notes
1	51279080	1	FRONT AXLE HOUSING	
2	51279079	1	FRONT AXLE HOUSING	
3	58075788	2	BRAKE DISC	
4	58076609	2	GASKET	
5	51176605	1	PISTON	
6	58076759	1	GASKET	
7	51275781	1	SUPPORT	
8	51275782	1	SUPPORT	
9	31112147	1	SCREW TE M8X18 UNI 5739 8G	
10	58076254	1	PIN	
11	56376607	1	BUSHING	
12	58076606	1	SCREW	
13	F0838726050	1	STUD BOLT M14x1.5x80UNI5912	
14	F0814750010	1	NUT M14X1,5	
15	59076503	1	CONNECTION PIPE	
16	56178695	5	THREADED TERMINAL END	
17	P254124000000	11	WASHER	
18	59077319	1	PIPE	
19	59078596	1	PIPE	
20	59076501	1	PIPE	
21	58076871	1	FLEXIBLE HOSE	



Pos.	Code	Q.ty	Description	Notes
1	51275775	1	SUPPORT	
2	51275774	1	SUPPORT	
3	58075696	2	BRAKE DISC	
4	51176604	2	PISTON	
5	58076761	2	GASKET	
6	58076760	2	GASKET	
7	56178695	4	THREADED TERMINAL END	
8	59076505	1	PRESSURE PIPE	
9	59076504	1	PRESSURE PIPE	
10	56376607	6	BUSHING	
11	58076606	6	SCREW	
12	58076254	6	PIN	
13	31112147	16	SCREW TE M8X18 UNI 5739 8G	
14	51179410	1	REDUCTION BOX	
15	51179409	1	REDUCTION BOX	
16	31313315	6	STUD BOLT	
17	31313295	10	STUD BOLT	
18	P254124000000	4	WASHER	
19	58179399	4	PLUG	
20	59077321	1	PIPE	
21	59077322	1	PIPE	

# COMANDI FRENI



Pos.	Code	Q.ty	Description	Notes
1	59077001	1	BRAKE PEDAL	
2	59077002	1	BRAKE PEDAL	
3	56177093	1	PIN	
4	56177092	1	STUD BOLT	
5	56177008	1	BRACKET	
6	F0843643060	6	WASHER 8	
7	31112147	2	SCREW TE M8X18 UNI 5739 8G	
8	58176267	4	BUSHING	
9	56377043	1	SHIM	
10	58177089	1	MAGNETO	
11	F0826018000	2	LUBRICATOR 90°M6 UNI 7663C	
12	F0851043050	2	PIN 3,0X24 DIN 1481 CL:C72	
13	58077333	2	SPRING	
14	58070741	2	SPRING	
15	56377332	2	PIN	
16	56377007	1	PIN	
17	56470365	2	PIN	
18	F0810510000	2	SPLIT PIN A2,0X20 UNI 1336	
19	31411105	2	WASHER 10,5x21	
20	F0190021254	2	WASHER	
21	58077401	2	RETAINING SPRING	
22	58176236	2	BRAKE CYLINDER	
23	F0817500100	6	CLAMP 013,8-706R	
24	59076506	1	CONNECTION PIPE	
25	58077214	1	PIPE	
26	58077215	1	PIPE	
27	58192680	1	PIPE FITTING	
28	58077216	1	PIPE	
29	58077213	1	FLEXIBLE HOSE	
30	58077212	1	FLEXIBLE HOSE	
31	P238176000000	1	TANK	
32	56177074	1	TANK SUPPORT	
33	F0803050000	1	O-RING	
34	56377004	1	HUB	

SERIAL  
END

**909013**

**COMANDI FRENI**

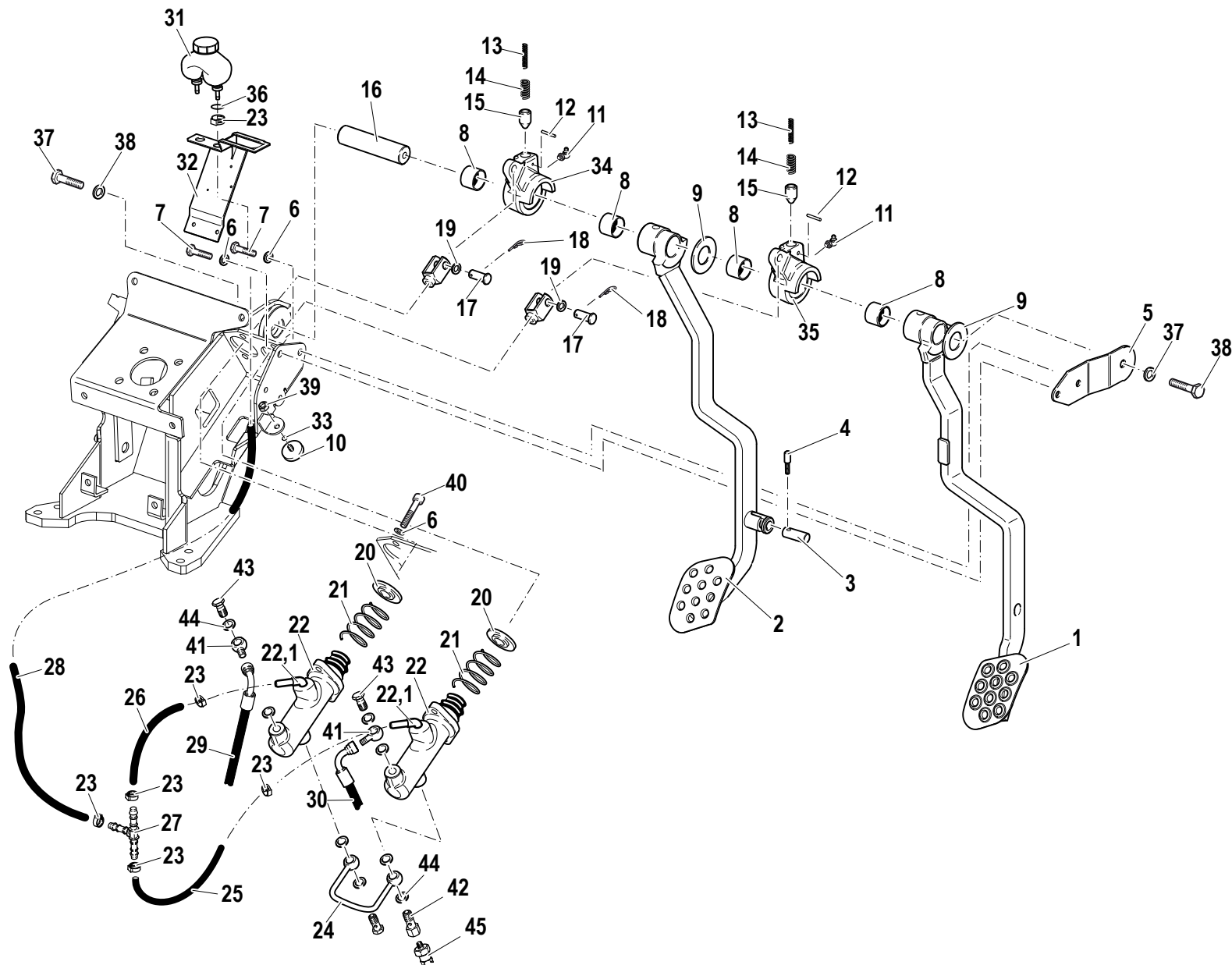
Hp 75

CODE REV

**D.14.01.L60007\_0**



# COMANDI FRENI

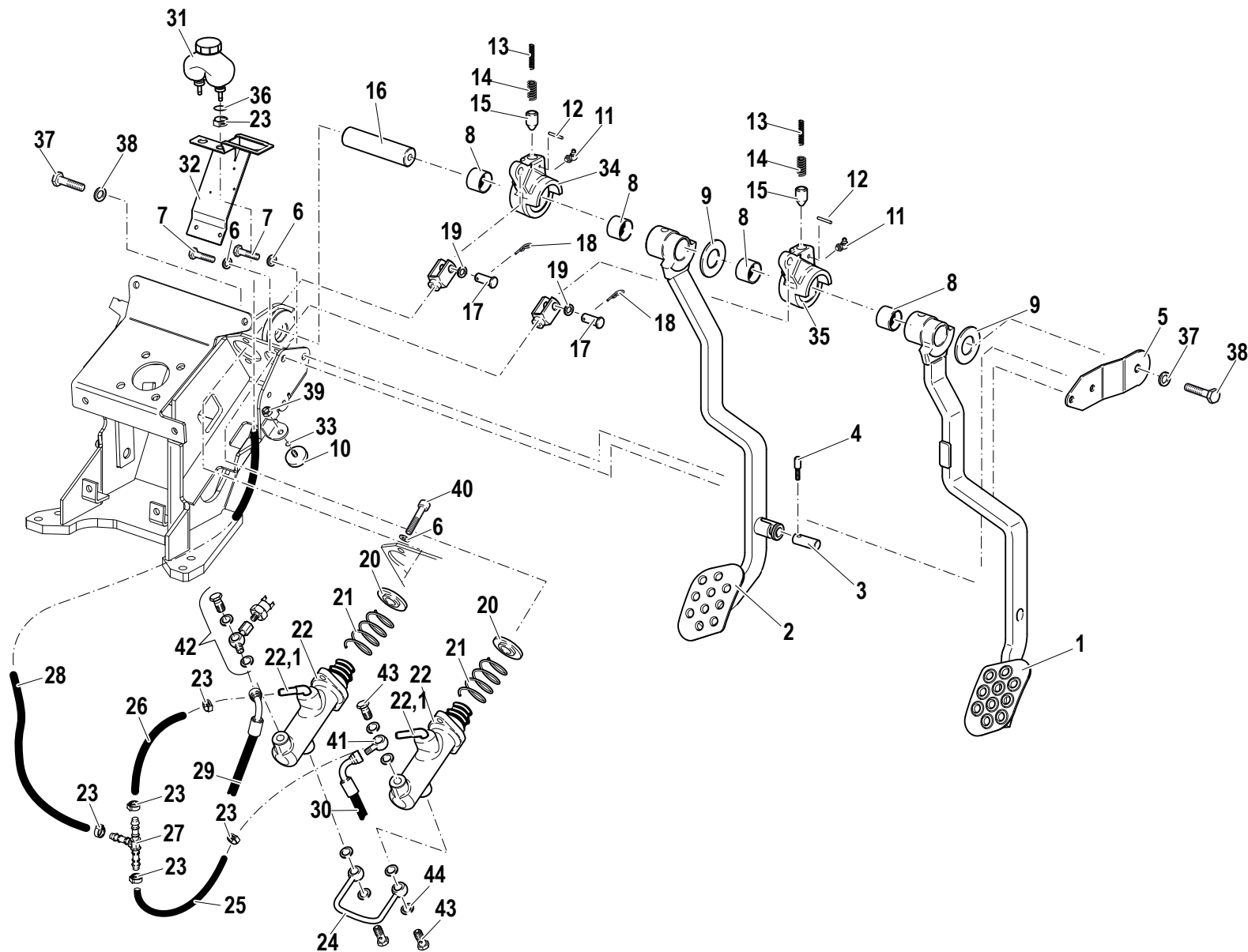


Pos.	Code	Q.ty	Description	Notes
35	56377005	1	HUB	
36	F0803259000	1	O-RING	
37	F0843755000	2	WASHER 10	
38	31112210	2	SCREW TE M10X20 UNI 5739	
39	31241060	1	HEXAGON SELFLOCK NUT M6	
40	31152081	4	SCREW TCEI M8X20 UNI 5931	
41	56176515	2	PIPE FITTING	
42	56177034	1	RACC.MAND.POMPA (59078569) *	
43	F0843105200	4	PIPE FITTING M12x1,25	
44	F0843841000	8	COPPER WASHER 12,0x18/1,5	
45	58177033	1	PRESSURE SWITCH	
22.1	59901487	2	KIT F009D02915	

# COMANDI FRENI

SERIAL START 909014 END 911578

D.14.01.L60007\_1



Pos.	Code	Q.ty	Description	Notes
1	59077001	1	BRAKE PEDAL	
2	59077002	1	BRAKE PEDAL	
3	56177093	1	PIN	
4	56177092	1	STUD BOLT	
5	56177008	1	BRACKET	
6	F0843643060	6	WASHER 8	
7	31112147	2	SCREW TE M8X18 UNI 5739 8G	
8	58176267	4	BUSHING	
9	56377043	1	SHIM	
10	58177089	1	MAGNETO	
11	F0826018000	2	LUBRICATOR 90°M6 UNI 7663C	
12	F0851043050	2	PIN 3,0X24 DIN 1481 CL:C72	
13	58077333	2	SPRING	
14	58070741	2	SPRING	
15	56377332	2	PIN	
16	56377007	1	PIN	
17	56470365	2	PIN	
18	F0810510000	2	SPLIT PIN A2,0X20 UNI 1336	
19	31411105	2	WASHER 10,5x21	
20	F0190021254	2	WASHER	
21	58077401	2	RETAINING SPRING	
22	58176236	2	BRAKE CYLINDER	
23	F0817500100	6	CLAMP 013,8-706R	
24	59076506	1	CONNECTION PIPE	
25	58077214	1	PIPE	
26	58077215	1	PIPE	
27	58192680	1	PIPE FITTING	
28	58077216	1	PIPE	
29	58077213	1	FLEXIBLE HOSE	
30	58077212	1	FLEXIBLE HOSE	
31	P238176000000	1	TANK	
32	56177074	1	TANK SUPPORT	
33	F0803050000	1	O-RING	
34	56377004	1	HUB	

SERIAL  
START  
**909014**

END  
**911578**

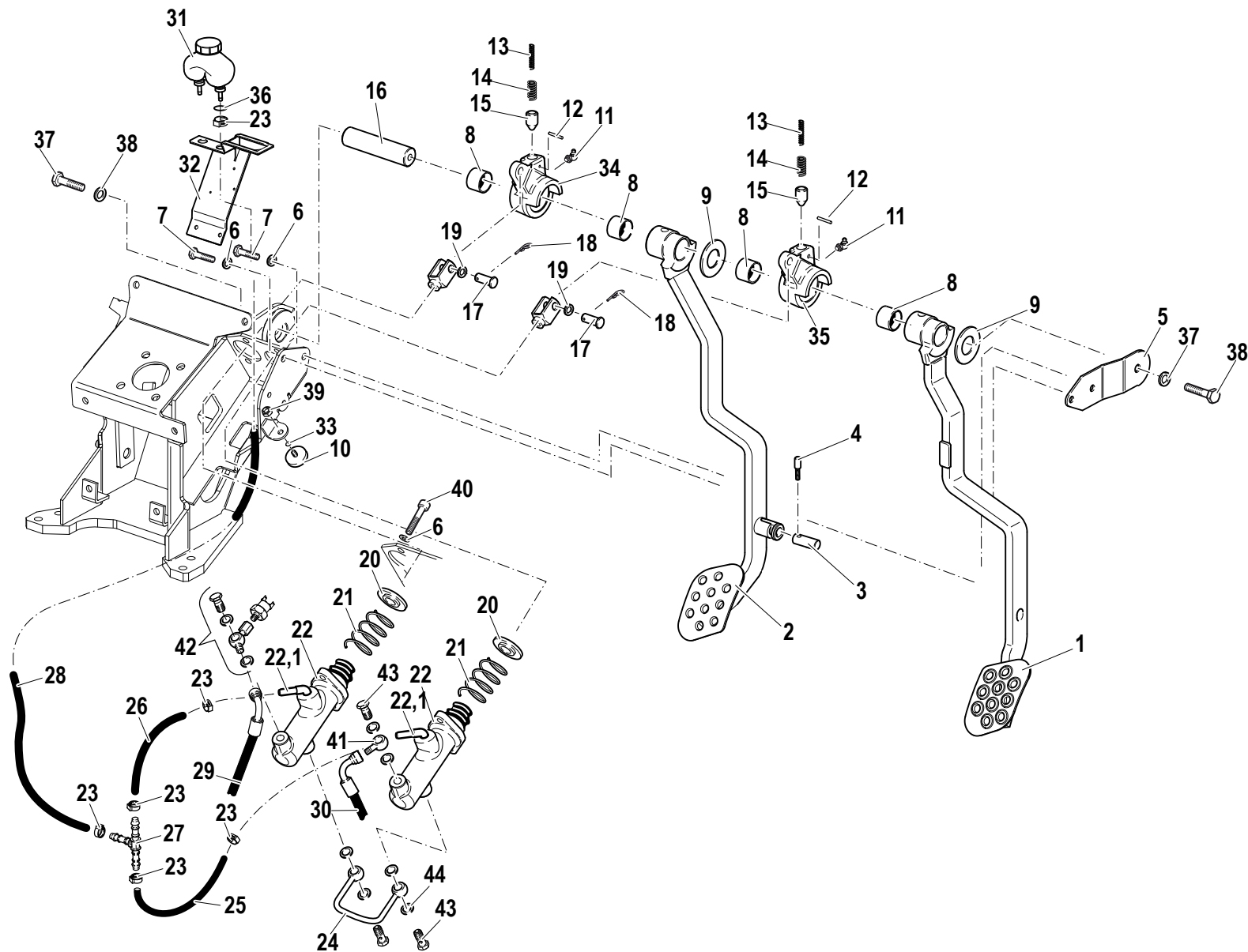
**COMANDI FRENI**  
Hp 75

CODE REV  
**D.14.01.L60007\_1**

# COMANDI FRENI

SERIAL START 909014 END 911578

D.14.01.L60007\_1



Pos.	Code	Q.ty	Description	Notes
35	56377005	1	HUB	
36	F0803259000	1	O-RING	
37	F0843755000	2	WASHER 10	
38	31112210	2	SCREW TE M10X20 UNI 5739	
39	31241060	1	HEXAGON SELFLOCK NUT M6	
40	31152081	4	SCREW TCEI M8X20 UNI 5931	
41	56176515	1	PIPE FITTING	
42	59978091	1	KIT	
43	F0843105200	4	PIPE FITTING M12x1,25	
44	F0843841000	8	COPPER WASHER 12,0x18/1,5	
22.1	59901487	2	KIT F009D02915	

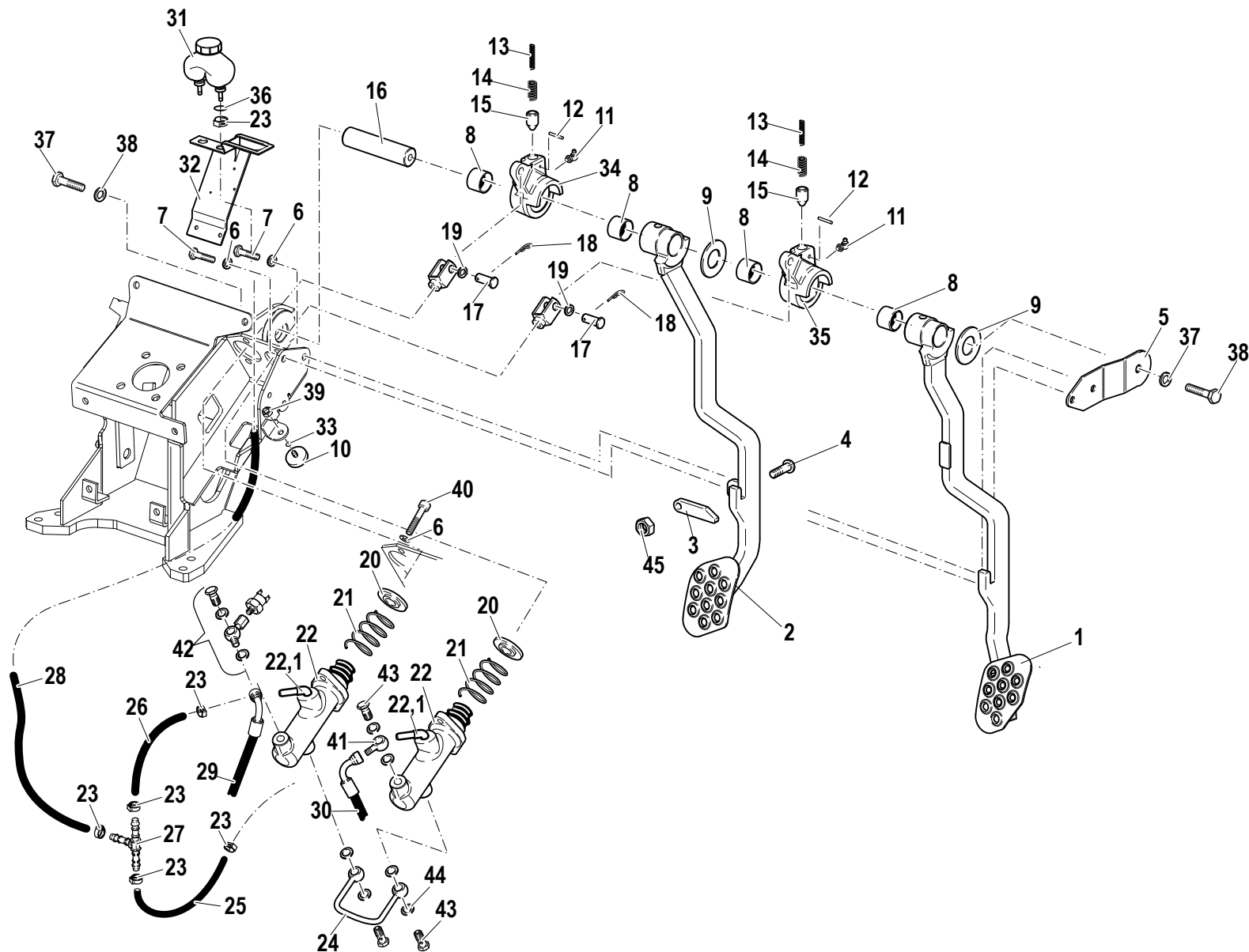
SERIAL  
START  
**909014**

END  
**911578**

**COMANDI FRENI**  
Hp 75

CODE REV  
**D.14.01.L60007\_1**

# COMANDI FRENI



Pos.	Code	Q.ty	Description	Notes
1	59078501	1	BRAKE PEDAL	
2	59078502	1	BRAKE PEDAL	
3	56177848	1	SMALL PLATE	
4	F0862479040	1	SCREW M6X20 7380	
5	56177008	1	BRACKET	
6	F0843643060	6	WASHER 8	
7	31112147	2	SCREW TE M8X18 UNI 5739 8G	
8	58176267	4	BUSHING	
9	56377043	1	SHIM	
10	58177089	1	MAGNETO	
11	F0826018000	2	LUBRICATOR 90°M6 UNI 7663C	
12	F0851043050	2	PIN 3,0X24 DIN 1481 CL:C72	
13	58077333	2	SPRING	
14	58070741	2	SPRING	
15	56377332	2	PIN	
16	56377007	1	PIN	
17	56470365	2	PIN	
18	F0810510000	2	SPLIT PIN A2,0X20 UNI 1336	
19	31411105	2	WASHER 10,5x21	
20	F0190021254	2	WASHER	
21	58077401	2	RETAINING SPRING	
22	58176236	2	BRAKE CYLINDER	
23	F0817500100	6	CLAMP 013,8-706R	
24	59076506	1	CONNECTION PIPE	
25	58077214	1	PIPE	
26	58077215	1	PIPE	
27	58192680	1	PIPE FITTING	
28	58077216	1	PIPE	
29	58077213	1	FLEXIBLE HOSE	
30	58077212	1	FLEXIBLE HOSE	
31	P238176000000	1	TANK	
32	56177074	1	TANK SUPPORT	
33	F0803050000	1	O-RING	
34	56377004	1	HUB	

SERIAL  
START  
**911579**

**COMANDI FRENI**

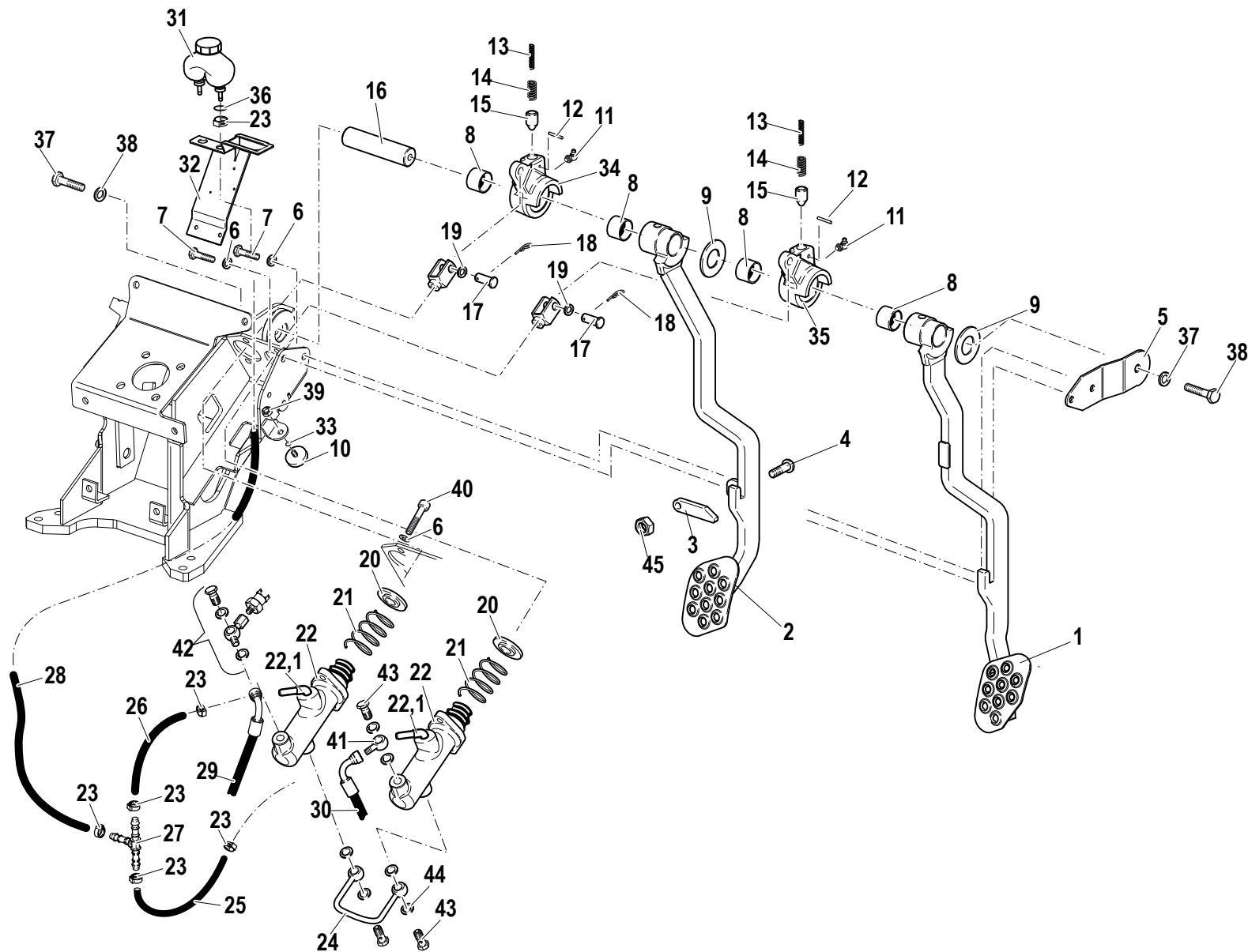
Hp 75

CODE REV

**D.14.01.L60007\_2**

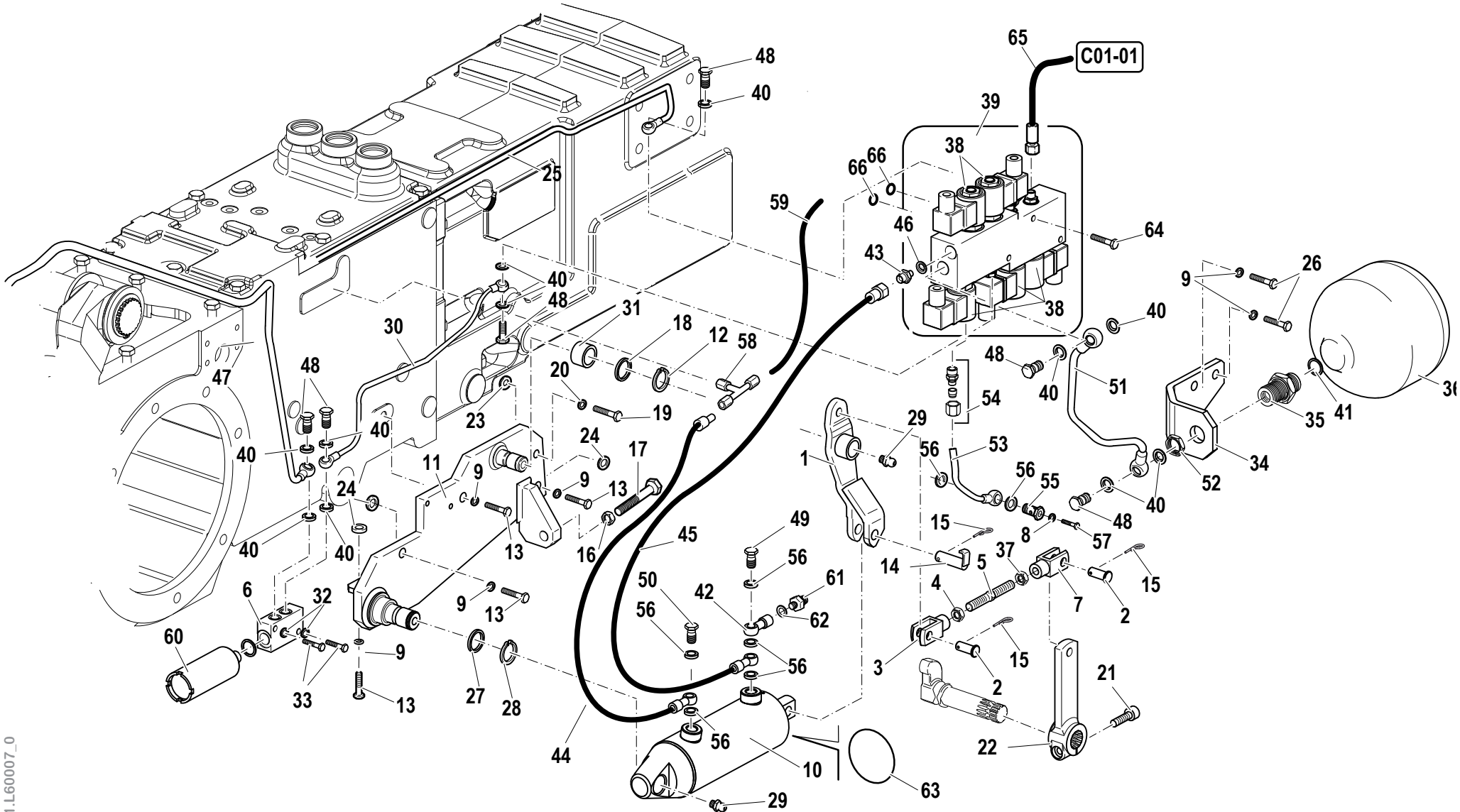


# COMANDI FRENI



Pos.	Code	Q.ty	Description	Notes
35	56377005	1	HUB	
36	F0803259000	1	O-RING	
37	F0843755000	2	WASHER 10	
38	31112210	2	SCREW TE M10X20 UNI 5739	
39	31241060	1	HEXAGON SELFLOCK NUT M6	
40	31152081	4	SCREW TCEI M8X20 UNI 5931	
41	56176515	1	PIPE FITTING	
42	59978091	1	KIT	
43	F0843105200	4	PIPE FITTING M12x1,25	
44	F0843841000	8	COPPER WASHER 12,0x18/1,5	
45	31211060	1	HEXAGONAL NUT M8	
22.1	59901487	2	KIT F009D02915	

# FRENO DI STAZIONAMENTO



Pos.	Code	Q.ty	Description	Notes
1	59076881	1	LEVER	
2	56476188	2	HINGE PIN	
3	F0860090110	1	FORK	
4	F0814628050	1	NUT M10	
5	56376189	1	ROD	
6	56176209	1	SMALL BLOCK	
7	F0860090010	1	FORK	
8	F0843641000	1	COPPER WASHER 8x14/1,5	
9	F0843755000	6	WASHER 10	
10	58076865	1	CYLINDER	
11	59076878	1	RETAINER	
12	35121018	1	SEEGER RING	
13	31112211	4	SCREW TE M10X30 UNI 5739	
14	59076884	1	PIN	
15	34110021	3	SPLIT PIN	
16	31231120	1	NUT M12	
17	31112260	1	SCREW TE M12X60 UNI 5739	
18	56076192	1	SPACER	
19	31112152	1	SCREW TE M8X30 UNI 5739 8G	
20	F0843643060	1	WASHER 8	
21	31152083	1	SCREW TCEI M8X30 UNI 5931	
22	56577429	1	LEVER	
23	F0843711000	1	WASHER D.24x8,5/4	
24	F0843815000	2	WASHER D.24x10,5/4	
25	59076215	1	PIPE	
26	31112219	2	SCREW TE M10X25 UNI 5739	
27	F0844283000	1	SPACER D.27x22/3	
28	35121023	1	SEEGER RING	
29	30000007	2	LUBRICATOR	
30	59076218	1	PIPE	
31	F0804099010	1	BUSHING	
32	F0843570000	1	WASHER 6	
33	31112086	1	SCREW TE M6X30 UNI 5737 8G	
34	56077324	1	SUPPORT	

SERIAL  
END

**908063**

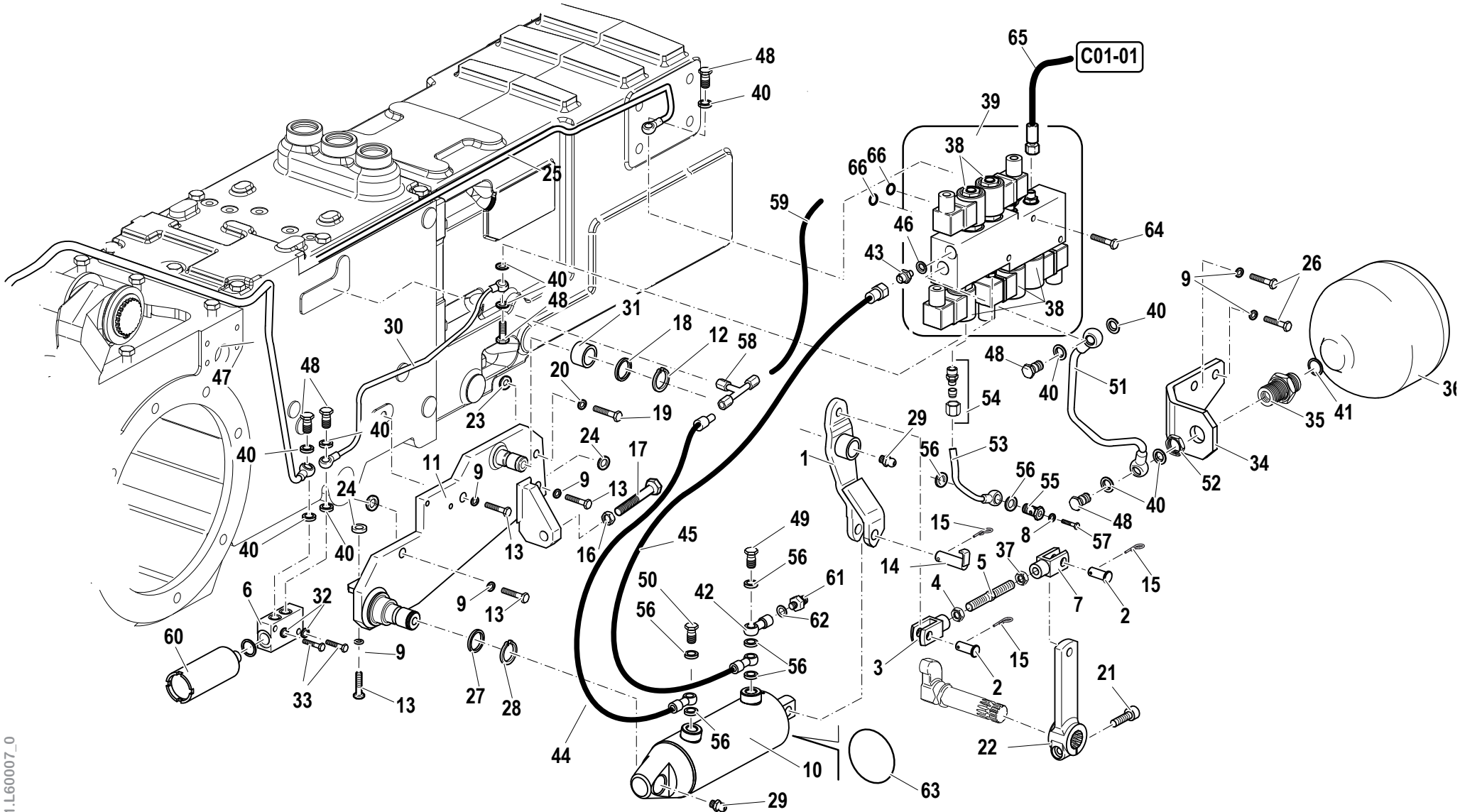
**FRENO DI STAZIONAMENTO**

Hp 75

CODE REV

**D.15.01.L60007\_0**

FRENO DI STAZIONAMENTO



D.15.01.L60007\_0

Pos.	Code	Q.ty	Description	Notes
35	56176221	1	PIPE FITTING	
36	58177642	1	ACCUMULATOR	
37	F0814627000	1	NUT M10	
38	58172463	5	ELECTRO VALVE	
39	56178679	1	SMALL BLOCK	
40	P254124000000	8	WASHER	
41	F0824141000	1	COPPER WASHER 21x27/1,5	
42	59076415	1	PIPE FITTING	
43	F0835022000	1	NIPPLE	
44	58076232	1	FLEXIBLE HOSE	
45	58076231	1	FLEXIBLE HOSE	
46	F0843771000	2	COPPER WASHER 10,0x16/1	
47	59076217	1	PIPE	
48	56178695	8	THREADED TERMINAL END	
49	56170413	1	PIPE FITTING	
50	F0843107000	1	PIPE FITTING GAS 1/4	
51	59076216	1	PIPE	
52	F0814843050	1	NUT M20X1,5	
53	59076219	1	PRESSURE PIPE	
54	30000245	1	PIPE FITTING	
55	58074558	1	PIPE FITTING	
56	F0843907000	7	COPPER WASHER 13,66x19/1,5	
57	F0862448100	1	SCREW M8X10 UNI 5740	
58	58176244	1	PIPE FITTING	
59	58076325	1	FLEXIBLE HOSE	
60	59271011	1	UNIT	
61	58173399	1	PRESSURE SWITCH	
62	F0843841000	1	COPPER WASHER 12,0x18/1,5	
63	F0801310700	1	SAFETY RING	
64	31111102	3	SCREW TE M6X50 UNI 5737 8G	
65	58076326	1	FLEXIBLE HOSE	
66	38110992	2	O-RING	
67	31231090	1	NUT M10	

SERIAL  
END

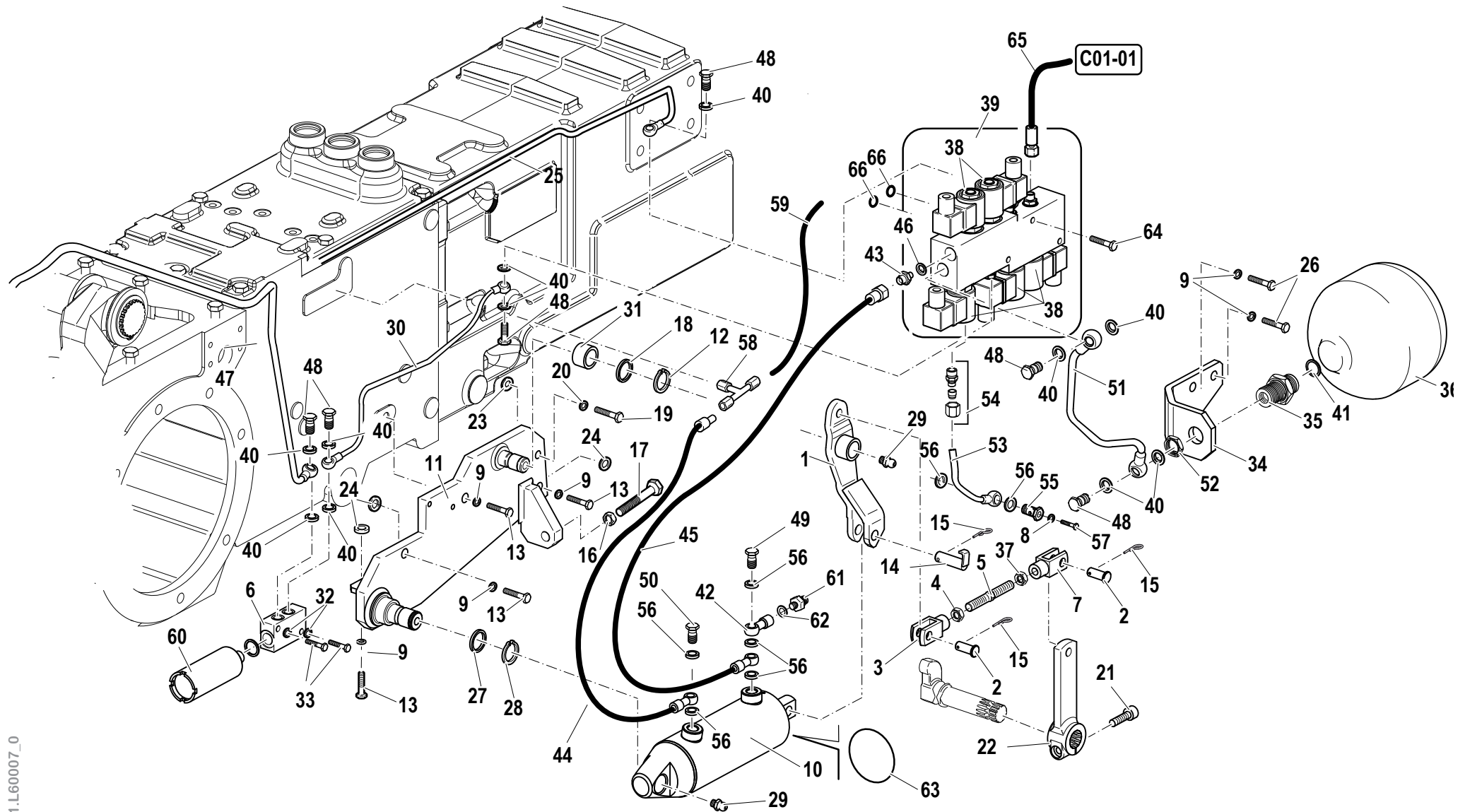
908063

FRENO DI STAZIONAMENTO

Hp 75

CODE REV

D.15.01.L60007\_0



Pos.	Code	Q.ty	Description	Notes
1	59076881	1	LEVER	
2	56476188	2	HINGE PIN	
3	F0860090110	1	FORK	
4	F0814628050	1	NUT M10	
5	56376189	1	ROD	
6	56176209	1	SMALL BLOCK	
7	F0860090010	1	FORK	
8	F0843641000	1	COPPER WASHER 8x14/1,5	
9	F0843755000	6	WASHER 10	
10	58077777	1	CYLINDER	
11	59076878	1	RETAINER	
12	35121018	1	SEEGER RING	
13	31112211	4	SCREW TE M10X30 UNI 5739	
14	59076884	1	PIN	
15	34110021	3	SPLIT PIN	
16	31231120	1	NUT M12	
17	31112260	1	SCREW TE M12X60 UNI 5739	
18	56076192	1	SPACER	
19	31112152	1	SCREW TE M8X30 UNI 5739 8G	
20	F0843643060	1	WASHER 8	
21	31152083	1	SCREW TCEI M8X30 UNI 5931	
22	56577429	1	LEVER	
23	F0843711000	1	WASHER D.24x8,5/4	
24	F0843815000	2	WASHER D.24x10,5/4	
25	59076215	1	PIPE	
26	31112219	2	SCREW TE M10X25 UNI 5739	
27	F0844283000	1	SPACER D.27x22/3	
28	35121023	1	SEEGER RING	
29	30000007	2	LUBRICATOR	
30	59076218	1	PIPE	
31	F0804099010	1	BUSHING	
32	F0843570000	1	WASHER 6	
33	31112086	1	SCREW TE M6X30 UNI 5737 8G	
34	56077324	1	SUPPORT	

SERIAL  
START  
**908064**

**FRENO DI STAZIONAMENTO**

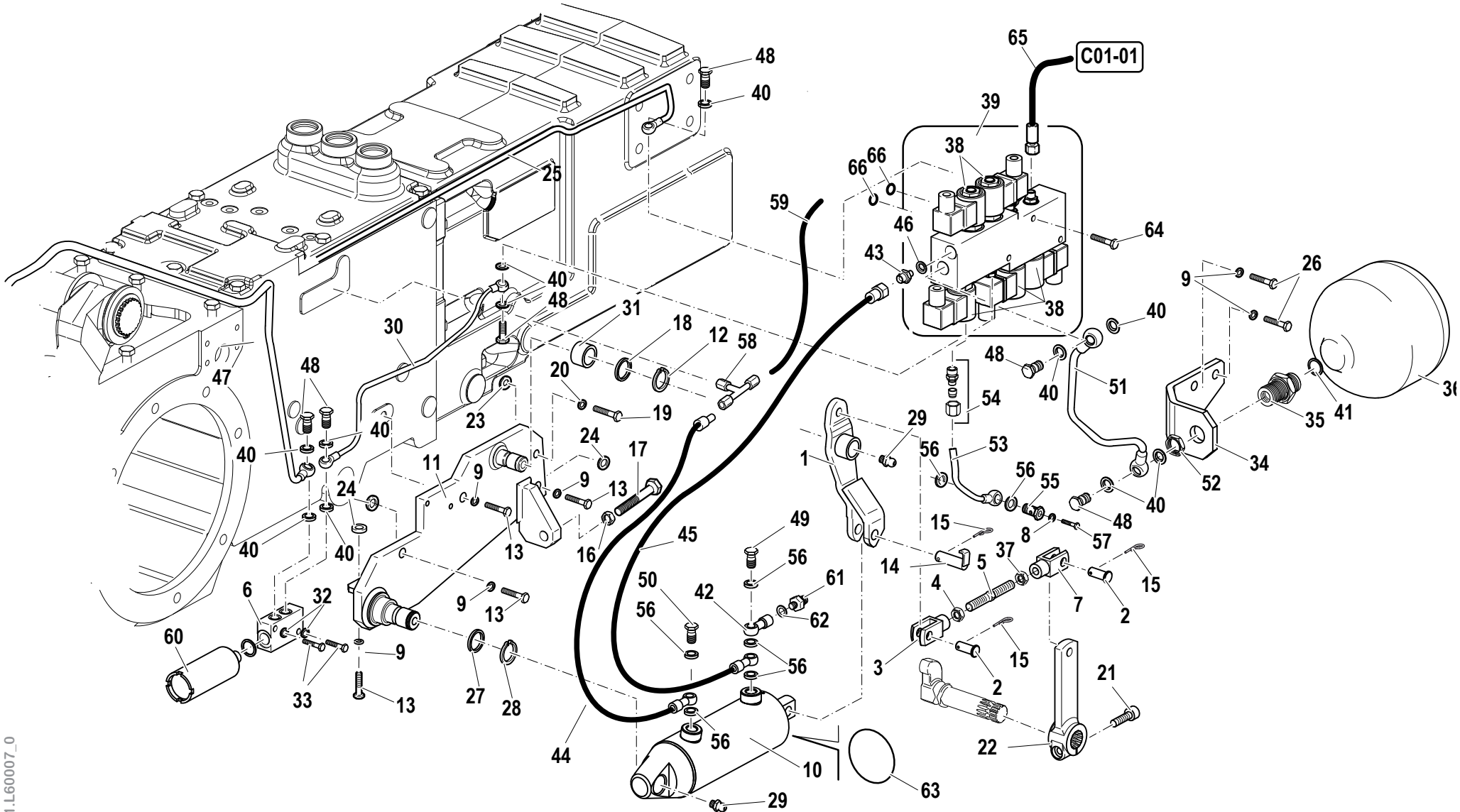
Hp 75

CODE REV

**D.15.01.L60007\_1**



FRENO DI STAZIONAMENTO



D.15.01.L60007\_0

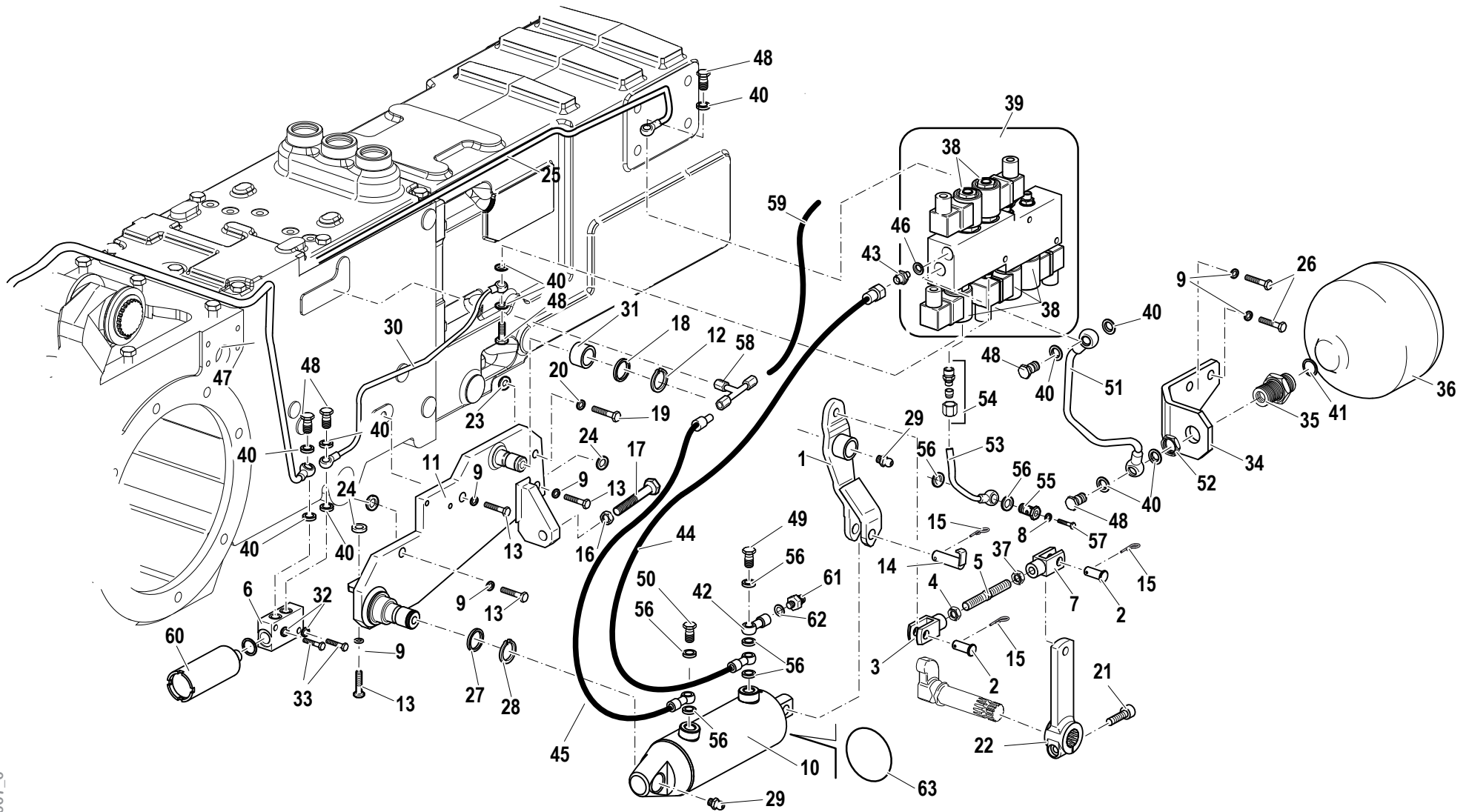
Pos.	Code	Q.ty	Description	Notes
35	56176221	1	PIPE FITTING	
36	58177642	1	ACCUMULATOR	
37	F0814627000	1	NUT M10	
38	58172463	5	ELECTRO VALVE	
39	56178679	1	SMALL BLOCK	
40	P254124000000	8	WASHER	
41	F0824141000	1	COPPER WASHER 21x27/1,5	
42	59076415	1	PIPE FITTING	
43	F0835022000	1	NIPPLE	
44	58076232	1	FLEXIBLE HOSE	
45	58076231	1	FLEXIBLE HOSE	
46	F0843771000	2	COPPER WASHER 10,0x16/1	
47	59076217	1	PIPE	
48	56178695	8	THREADED TERMINAL END	
49	56170413	1	PIPE FITTING	
50	F0843107000	1	PIPE FITTING GAS 1/4	
51	59076216	1	PIPE	
52	F0814843050	1	NUT M20X1,5	
53	59076219	1	PRESSURE PIPE	
54	30000245	1	PIPE FITTING	
55	58074558	1	PIPE FITTING	
56	F0843907000	7	COPPER WASHER 13,66x19/1,5	
57	F0862448100	1	SCREW M8X10 UNI 5740	
58	58176244	1	PIPE FITTING	
59	58076325	1	FLEXIBLE HOSE	
60	59271011	1	UNIT	
61	58173399	1	PRESSURE SWITCH	
62	F0843841000	1	COPPER WASHER 12,0x18/1,5	
63	F0801310700	1	SAFETY RING	
64	31111102	3	SCREW TE M6X50 UNI 5737 8G	
65	58076326	1	FLEXIBLE HOSE	
66	38110992	1	O-RING	
67	31231090	1	NUT M10	

SERIAL  
START  
**908064**

**FRENO DI STAZIONAMENTO**

Hp 75

CODE REV  
**D.15.01.L60007\_1**



Pos.	Code	Q.ty	Description	Notes
1	59076881	1	LEVER	
2	56476188	2	HINGE PIN	
3	F0860090110	1	FORK	
4	F0814628050	1	NUT M10	
5	56376189	1	ROD	
6	56176209	1	SMALL BLOCK	
7	F0860090010	1	FORK	
8	F0843641000	1	COPPER WASHER 8x14/1,5	
9	F0843755000	6	WASHER 10	
10	58076865	1	CYLINDER	
11	59076878	1	RETAINER	
12	35121018	1	SEEGER RING	
13	31112211	4	SCREW TE M10X30 UNI 5739	
14	59076884	1	PIN	
15	34110021	3	SPLIT PIN	
16	31231120	1	NUT M12	
17	31112260	1	SCREW TE M12X60 UNI 5739	
18	56076192	1	SPACER	
19	31112152	1	SCREW TE M8X30 UNI 5739 8G	
20	F0843643060	1	WASHER 8	
21	31152083	1	SCREW TCEI M8X30 UNI 5931	
22	56577429	1	LEVER	
23	F0843711000	1	WASHER D.24x8,5/4	
24	F0843815000	2	WASHER D.24x10,5/4	
25	59076215	1	PIPE	
26	31112219	2	SCREW TE M10X25 UNI 5739	
27	F0844283000	1	SPACER D.27x22/3	
28	35121023	1	SEEGER RING	
29	30000007	2	LUBRICATOR	
30	59076218	1	PIPE	
31	F0804099010	1	BUSHING	
32	F0843570000	1	WASHER 6	
33	31112086	1	SCREW TE M6X30 UNI 5737 8G	
34	56077324	1	SUPPORT	

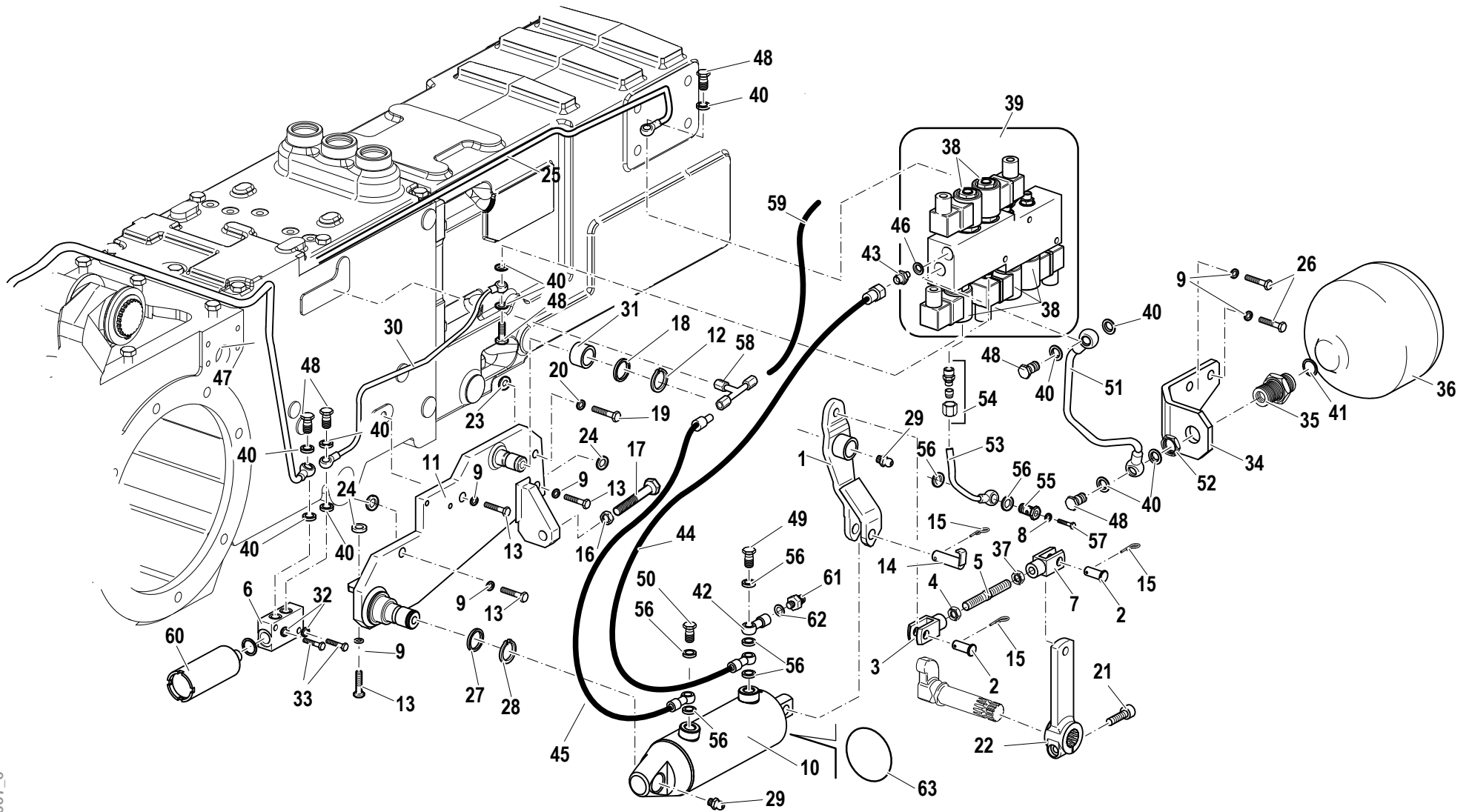
SERIAL

**FRENO DI STAZIONAMENTO**

Hp 75

CODE REV

**D.15.02.L60007\_0**



Pos.	Code	Q.ty	Description	Notes
35	56176221	1	PIPE FITTING	
36	58177642	1	ACCUMULATOR	
37	F0814627000	1	NUT M10	
38	58172463	5	ELECTRO VALVE	
39	56178679	1	SMALL BLOCK	
40	P254124000000	8	WASHER	
41	F0824141000	1	COPPER WASHER 21x27/1,5	
42	59076415	1	PIPE FITTING	
43	F0835022000	1	NIPPLE	
44	58076232	1	FLEXIBLE HOSE	
45	58076231	1	FLEXIBLE HOSE	
46	F0843771000	2	COPPER WASHER 10,0x16/1	
47	59076217	1	PIPE	
48	56178695	8	THREADED TERMINAL END	
49	56170413	1	PIPE FITTING	
50	F0843107000	1	PIPE FITTING GAS 1/4	
51	59076216	1	PIPE	
52	F0814843050	1	NUT M20X1,5	
53	59076219	1	PRESSURE PIPE	
54	30000245	1	PIPE FITTING	
55	58074558	1	PIPE FITTING	
56	F0843907000	7	COPPER WASHER 13,66x19/1,5	
57	F0862448100	1	SCREW M8X10 UNI 5740	
58	58176244	1	PIPE FITTING	
59	58076325	1	FLEXIBLE HOSE	
60	59271011	1	UNIT	
61	58173399	1	PRESSURE SWITCH	
62	F0843841000	1	COPPER WASHER 12,0x18/1,5	
63	F0801310700	1	SAFETY RING	
64	31111102	3	SCREW TE M6X50 UNI 5737 8G	
65	58076326	1	FLEXIBLE HOSE	
66	59076501	1	PIPE	
67	31231090	1	NUT M10	

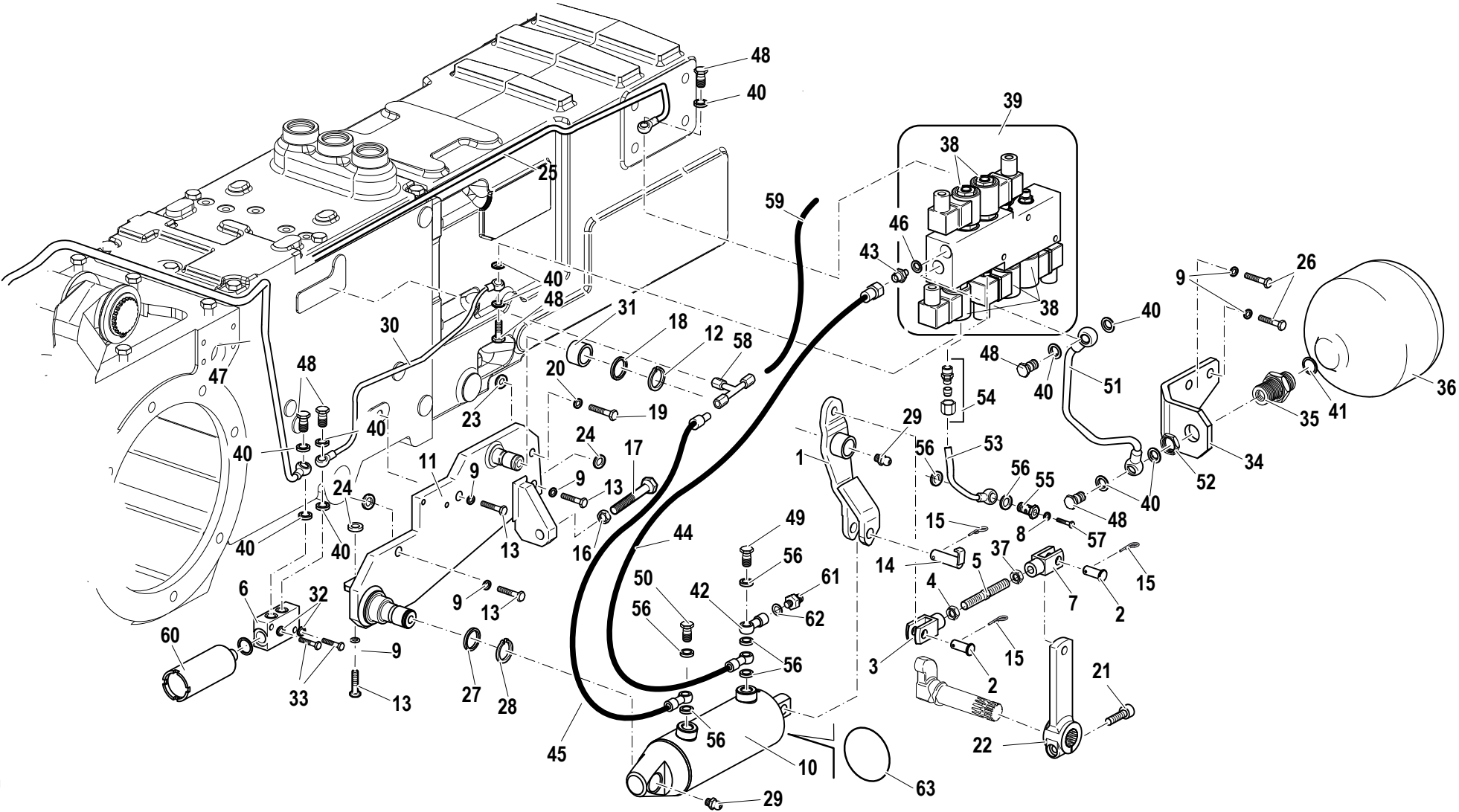
SERIAL

**FRENO DI STAZIONAMENTO**

Hp 75

CODE REV

**D.15.02.L60007\_0**



D.15.02.L60007\_0

Pos.	Code	Q.ty	Description	Notes
1	59076881	1	LEVER	
2	56476188	2	HINGE PIN	
3	F0860090110	1	FORK	
4	F0814628050	1	NUT M10	
5	56376189	1	ROD	
6	56176209	1	SMALL BLOCK	
7	F0860090010	1	FORK	
8	F0843641000	1	COPPER WASHER 8x14/1,5	
9	F0843755000	6	WASHER 10	
10	58077777	1	CYLINDER	
11	59076878	1	RETAINER	
12	35121018	1	SEEGER RING	
13	31112211	4	SCREW TE M10X30 UNI 5739	
14	59076884	1	PIN	
15	34110021	3	SPLIT PIN	
16	31231120	1	NUT M12	
17	31112260	1	SCREW TE M12X60 UNI 5739	
18	56076192	1	SPACER	
19	31112152	1	SCREW TE M8X30 UNI 5739 8G	
20	F0843643060	1	WASHER 8	
21	31152083	1	SCREW TCEI M8X30 UNI 5931	
22	56577429	1	LEVER	
23	F0843711000	1	WASHER D.24x8,5/4	
24	F0843815000	2	WASHER D.24x10,5/4	
25	59076215	1	PIPE	
26	31112219	2	SCREW TE M10X25 UNI 5739	
27	F0844283000	1	SPACER D.27x22/3	
28	35121023	1	SEEGER RING	
29	30000007	2	LUBRICATOR	
30	59076218	1	PIPE	
31	F0804099010	1	BUSHING	
32	F0843570000	1	WASHER 6	
33	31112086	1	SCREW TE M6X30 UNI 5737 8G	
34	56077324	1	SUPPORT	

SERIAL

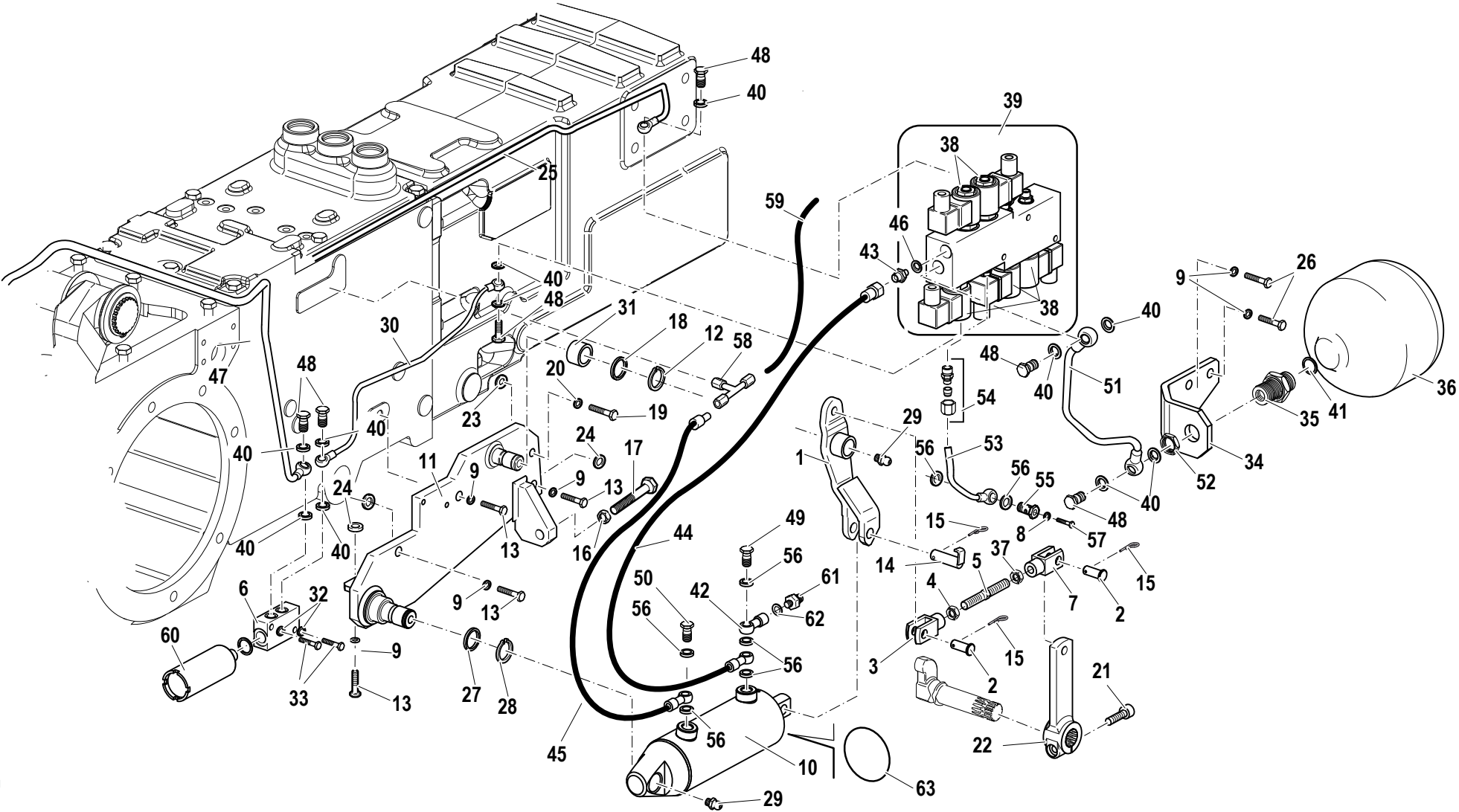
**FRENO DI STAZIONAMENTO**

Hp 75

CODE REV

**D.15.02.L60007\_1**





Pos.	Code	Q.ty	Description	Notes
35	56176221	1	PIPE FITTING	
36	58177642	1	ACCUMULATOR	
37	F0814627000	1	NUT M10	
38	58172463	5	ELECTRO VALVE	
39	56178679	1	SMALL BLOCK	
40	P254124000000	8	WASHER	
41	F0824141000	1	COPPER WASHER 21x27/1,5	
42	59076415	1	PIPE FITTING	
43	F0835022000	1	NIPPLE	
44	58076232	1	FLEXIBLE HOSE	
45	58076231	1	FLEXIBLE HOSE	
46	F0843771000	2	COPPER WASHER 10,0x16/1	
47	59076217	1	PIPE	
48	56178695	8	THREADED TERMINAL END	
49	56170413	1	PIPE FITTING	
50	F0843107000	1	PIPE FITTING GAS 1/4	
51	59076216	1	PIPE	
52	F0814843050	1	NUT M20X1,5	
53	59076219	1	PRESSURE PIPE	
54	30000245	1	PIPE FITTING	
55	58074558	1	PIPE FITTING	
56	F0843907000	7	COPPER WASHER 13,66x19/1,5	
57	F0862448100	1	SCREW M8X10 UNI 5740	
58	58176244	1	PIPE FITTING	
59	58076325	1	FLEXIBLE HOSE	
60	59271011	1	UNIT	
61	58173399	1	PRESSURE SWITCH	
62	F0843841000	1	COPPER WASHER 12,0x18/1,5	
63	F0801310700	1	SAFETY RING	
64	31111102	3	SCREW TE M6X50 UNI 5737 8G	
65	58076326	1	FLEXIBLE HOSE	
66	59076501	1	PIPE	
67	31231090	1	NUT M10	

SERIAL

**FRENO DI STAZIONAMENTO**

Hp 75

CODE REV

**D.15.02.L60007\_1**

Pos.	Code	Q.ty	Description	Notes
2	31111156	1	SCREW TE M8X50 UNI 5737 CL 10.9	
5	35111062	3	SEEGER RING	
38	35121012	2	SEEGER RING	
8	35121031	1	SEEGER RING	
7	37111299	1	BEARING	
20	37320220	1	ROLLER CAGE 20x26/17	
10	38115682	2	RING	
36	38212601	1	OIL SEAL 25X32X7	
22	51175810	1	FRONT COVER	
37	52475817	1	SLIDING BLOCK	
19	52475835	1	SLIDING SLEEVE	
21	52475836	1	FIX SLEEVE	
24	52478613	1	COUNTERSHAFT	
4	52478812	1	SHAFT	
13	56075831	1	PISTON	
41	56375819	3	DISC	
33	56375829	1	STUD BOLT	
3	56375876	1	SCREW	
35	56376243	1	STUD BOLT	
34	56376255	1	STUD BOLT	
9	56377906	1	MANIFOLD	
31	56577429	1	LEVER	
32	56579291	1	RIG PIN	
18	58075833	1	SPRING	
11	58077908	2	RING	
39	58175816	2	SECTOR	
40	58175818	2	SECTOR	
16	58175837	1	GASKET	
17	58175838	1	GASKET	
1	58178810	1	JOINT	
25	59376016	1	BEVEL GEAR	
30	F0801183000	1	SAFETY RING	
42	F0801190100	1	SAFETY RING	
26	F0801241005	2	SAFETY RING	

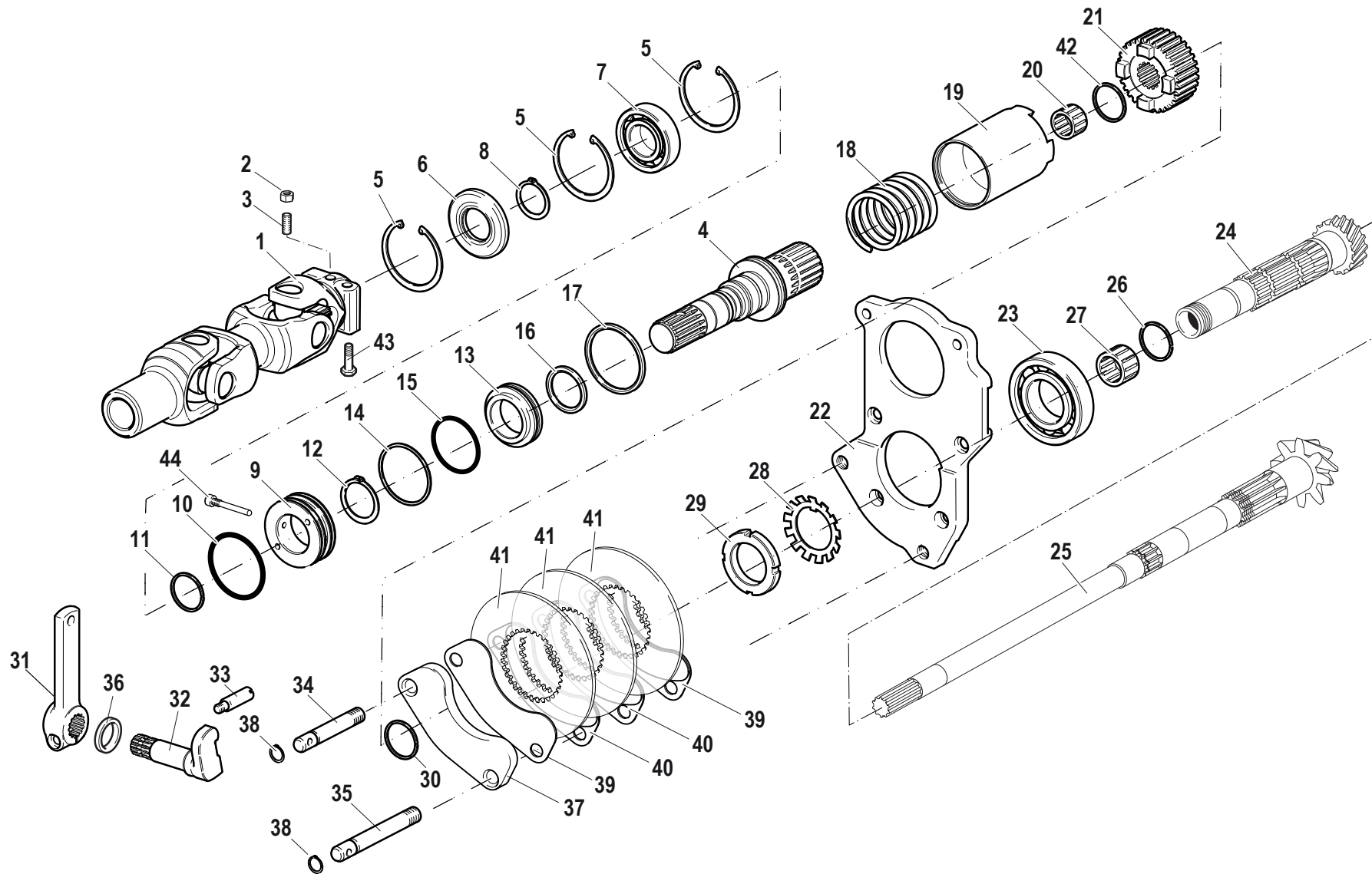
SERIAL

**FRONT DRIVE**

CODE REV

**D.16.01.L60002\_0**

Pos.	Code	Q.ty	Description	Notes
12	F0801264050	1	SEEGER RING	
14	F0801380100	1	SAFETY RING	
6	F0802125100	1	OIL SEAL 30X62X7	
15	F0803209080	1	O-RING	
27	F0812689000	1	ROLLER CAGE K 25X30/20 H	
23	F0812899000	1	BEARING 6208-NR	
29	F0821054000	1	RING NUT KM 8(M40X1,5)DIN 981	
28	F0844539000	1	WASHER	



Pos.	Code	Q.ty	Description	Notes
1	58178872	1	JOINT	
2	31241080	1	HEXAGON SELFLOCK NUT M8	
3	F0862657000	1	GRAIN	
4	52475830	1	SHAFT	
5	35111062	3	SEEGER RING	
6	F0802125100	1	OIL SEAL 30X62X7	
7	37111299	1	BEARING	
8	35121030	1	SEEGER RING	
9	56375832	1	MANIFOLD	
10	F0803210000	2	O-RING	
11	58072398	2	SEAL	
12	F0801264050	1	SEEGER RING	
13	56075831	1	PISTON	
14	F0801380100	1	SAFETY RING	
15	F0803209080	1	O-RING	
16	58175837	1	GASKET	
17	58175838	1	GASKET	
18	58075833	1	SPRING	
19	52475835	1	SLIDING SLEEVE	
20	37320220	1	ROLLER CAGE 20x26/17	
21	52475836	1	FIX SLEEVE	
22	51175810	1	FRONT COVER	
23	F0812899000	1	BEARING 6208-NR	
24	52478613	1	COUNTERSHAFT	
25	59376016	1	BEVEL GEAR	
26	F0801241005	2	SAFETY RING	
27	F0812689000	1	ROLLER CAGE K 25X30/20 H	
28	F0844539000	1	WASHER	
29	F0821054000	1	RING NUT KM 8(M40X1,5)DIN 981	
30	F0801183000	1	SAFETY RING	
31	56576723	1	LEVER	
32	56576724	1	PIN	
33	56375829	1	STUD BOLT	
34	56376255	1	STUD BOLT	

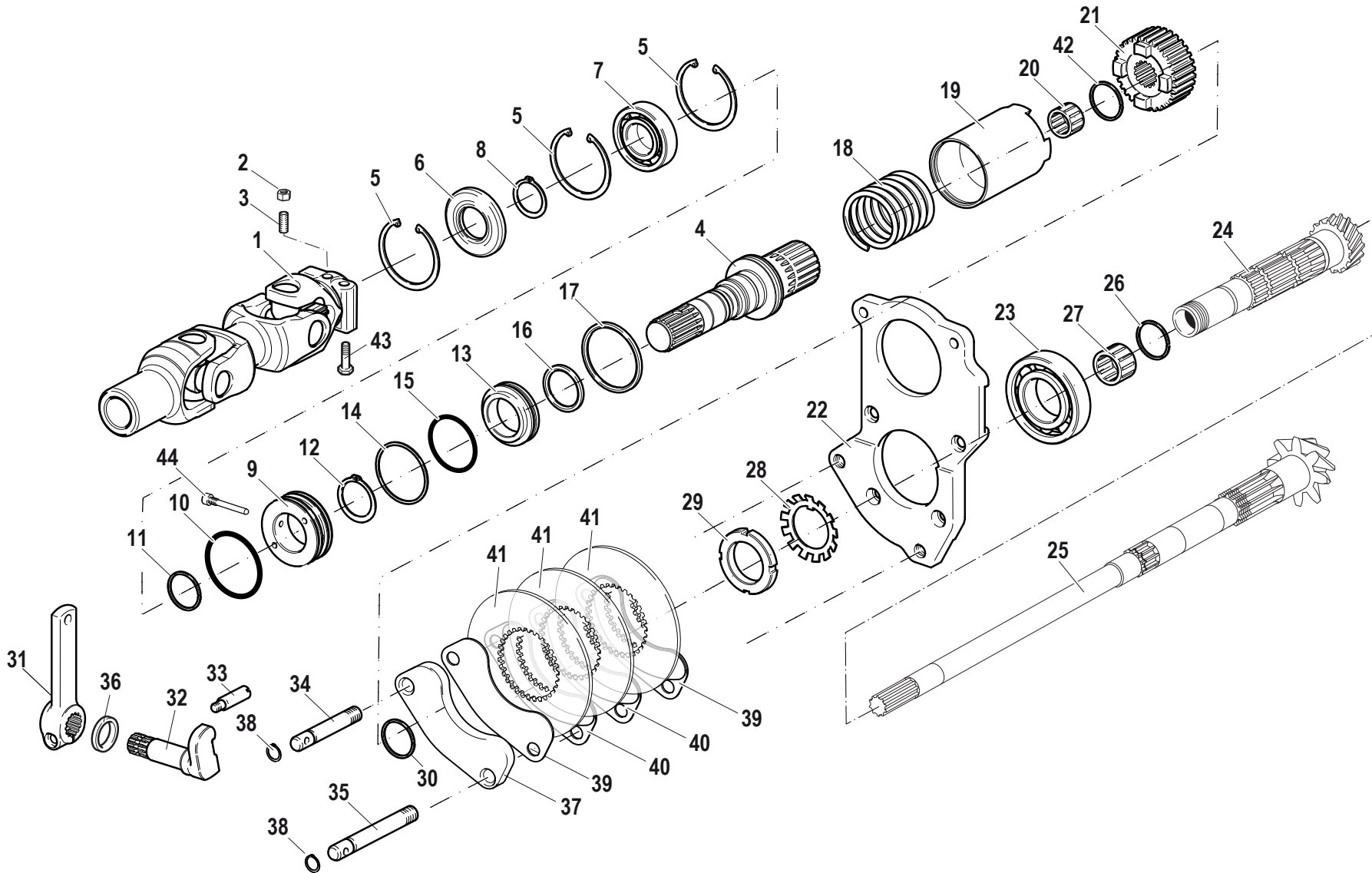
SERIAL  
END

908168

Hp 75

CODE REV

D.16.01.L60007\_0



D.16.01.L60007\_0

Pos.	Code	Q.ty	Description	Notes
35	56376243	1	STUD BOLT	
36	F0802088050	1	SEAL 22x32x6	
37	52475817	1	SLIDING BLOCK	
38	35121012	2	SEEGER RING	
39	58175816	2	SECTOR	
40	58175818	2	SECTOR	
41	56375819	3	DISC	
42	F0801190100	1	SAFETY RING	
43	F0862785000	1	SCREW	
44	56375876	1	SCREW	

SERIAL  
END

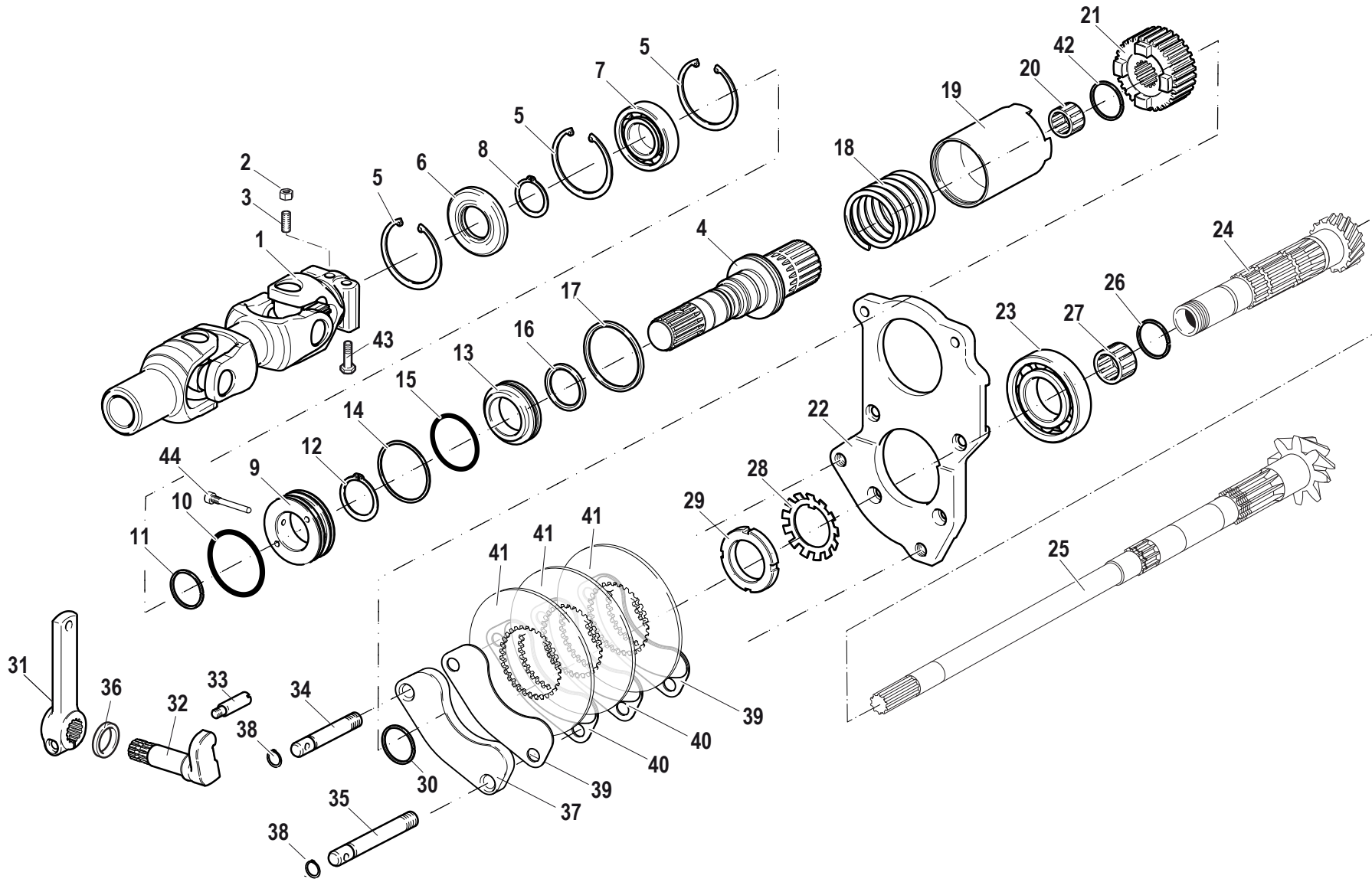
**908168**

Hp 75

CODE REV

**D.16.01.L60007\_0**



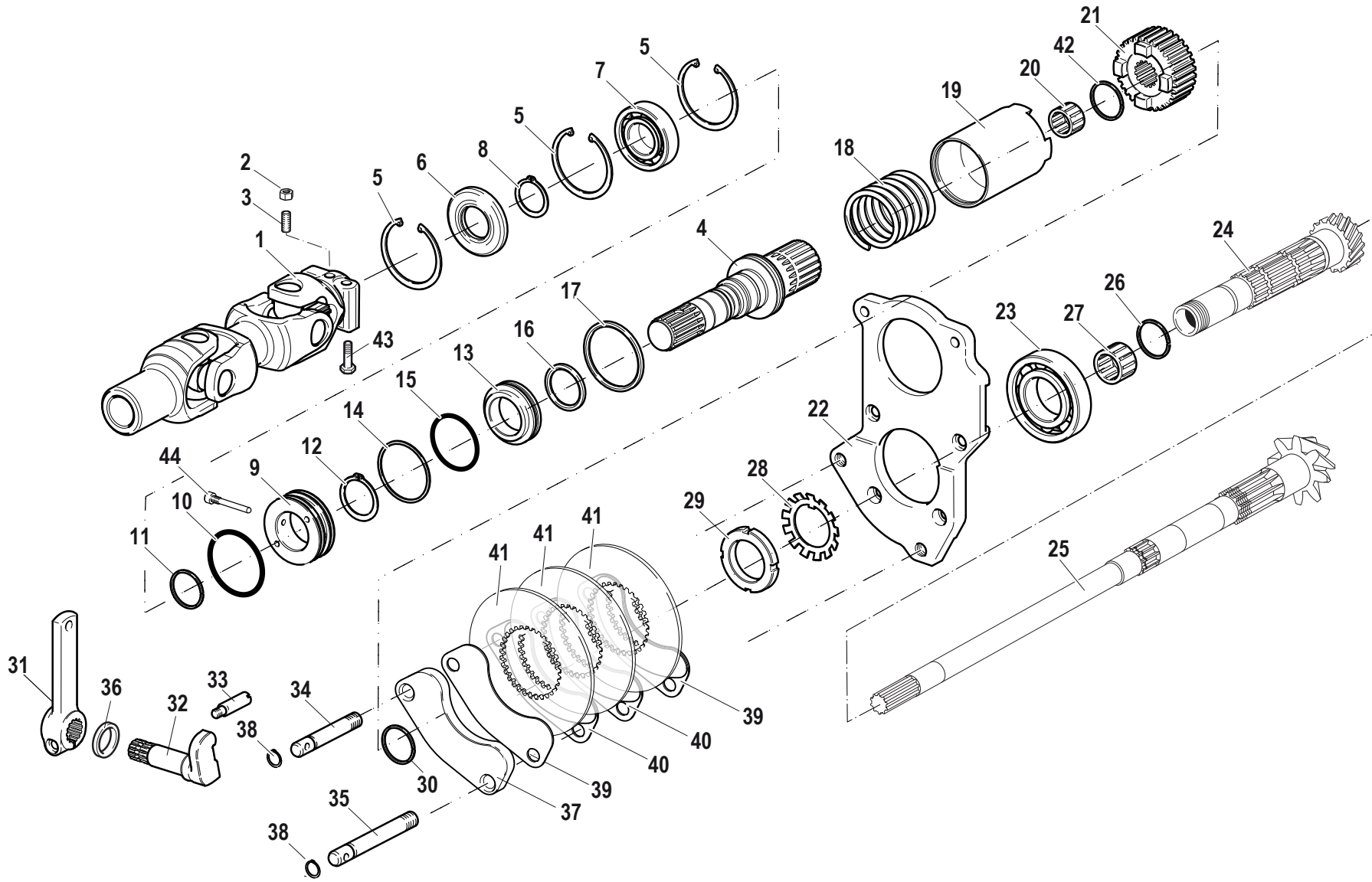


D.16.01.L60007\_1

Pos.	Code	Q.ty	Description	Notes
1	58178872	1	JOINT	
2	31241080	1	HEXAGON SELFLOCK NUT M8	
3	F0862657000	1	GRAIN	
4	52475830	1	SHAFT	
5	35111062	3	SEEGER RING	
6	F0802125100	1	OIL SEAL 30X62X7	
7	37111299	1	BEARING	
8	35121030	1	SEEGER RING	
9	56375832	1	MANIFOLD	
10	F0803210000	2	O-RING	
11	58072398	2	SEAL	
12	F0801264050	1	SEEGER RING	
13	56075831	1	PISTON	
14	F0801380100	1	SAFETY RING	
15	F0803209080	1	O-RING	
16	58175837	1	GASKET	
17	58175838	1	GASKET	
18	58075833	1	SPRING	
19	52475835	1	SLIDING SLEEVE	
20	37320220	1	ROLLER CAGE 20x26/17	
21	52475836	1	FIX SLEEVE	
22	51175810	1	FRONT COVER	
23	F0812899000	1	BEARING 6208-NR	
24	52478613	1	COUNTERSHAFT	
25	59376016	1	BEVEL GEAR	
26	F0801241005	2	SAFETY RING	
27	F0812689000	1	ROLLER CAGE K 25X30/20 H	
28	F0844539000	1	WASHER	
29	F0821054000	1	RING NUT KM 8(M40X1,5)DIN 981	
30	F0801183000	1	SAFETY RING	
31	56577429	1	LEVER	029/05
32	56579291	1	RIG PIN	029/05
33	56375829	1	STUD BOLT	
34	56376255	1	STUD BOLT	

SERIAL  
START  
**908169**

END  
**911833**



D.16.01.L60007\_1

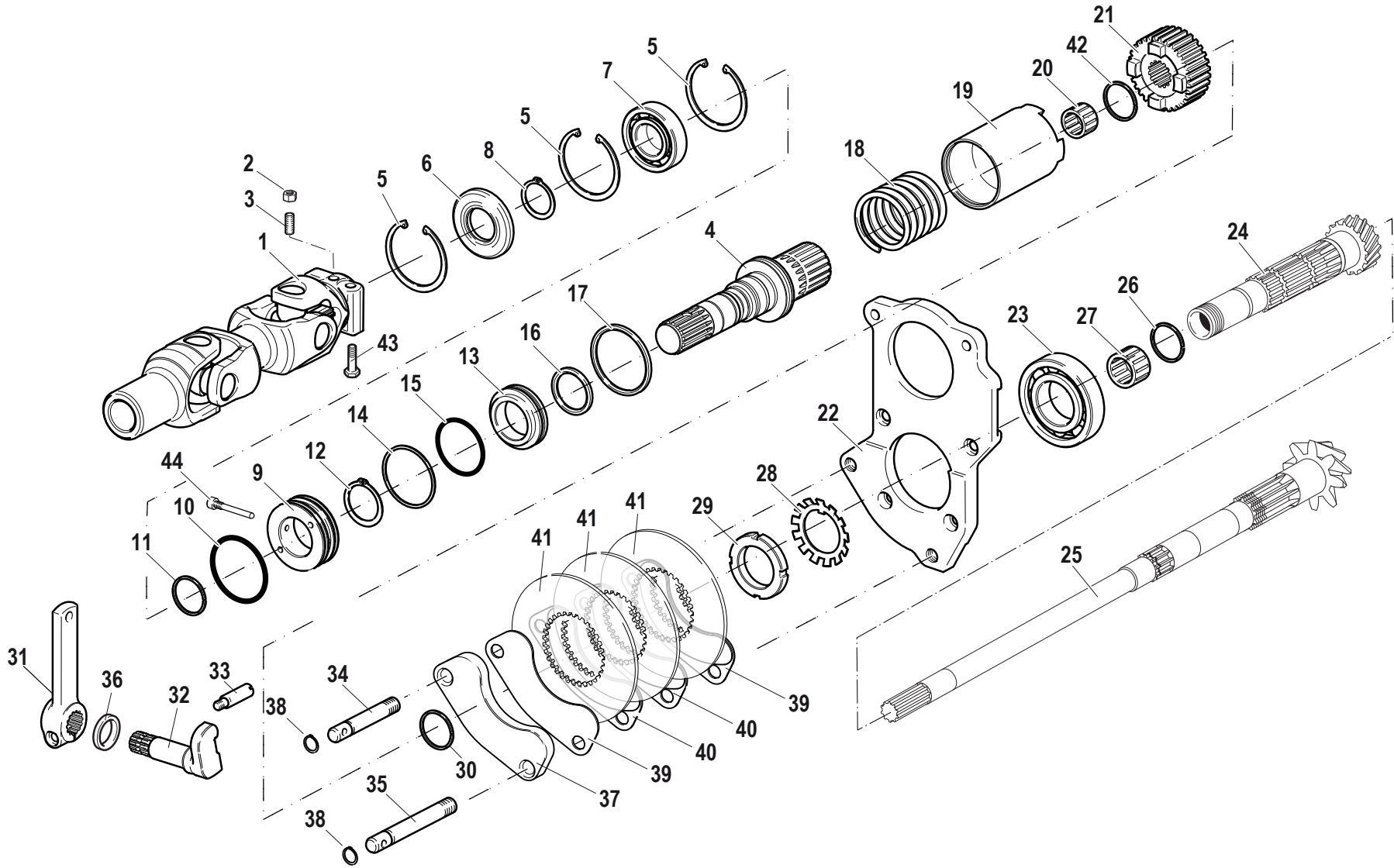
Pos.	Code	Q.ty	Description	Notes
35	56376243	1	STUD BOLT	
36	38212601	1	OIL SEAL 25X32X7	029/05
37	52475817	1	SLIDING BLOCK	
38	35121012	2	SEEGER RING	
39	58175816	2	SECTOR	
40	58175818	2	SECTOR	
41	56375819	3	DISC	
42	F0801190100	1	SAFETY RING	
43	F0862785000	1	SCREW	
44	56375876	1	SCREW	

SERIAL  
START  
**908169**

END  
**911833**

Hp 75

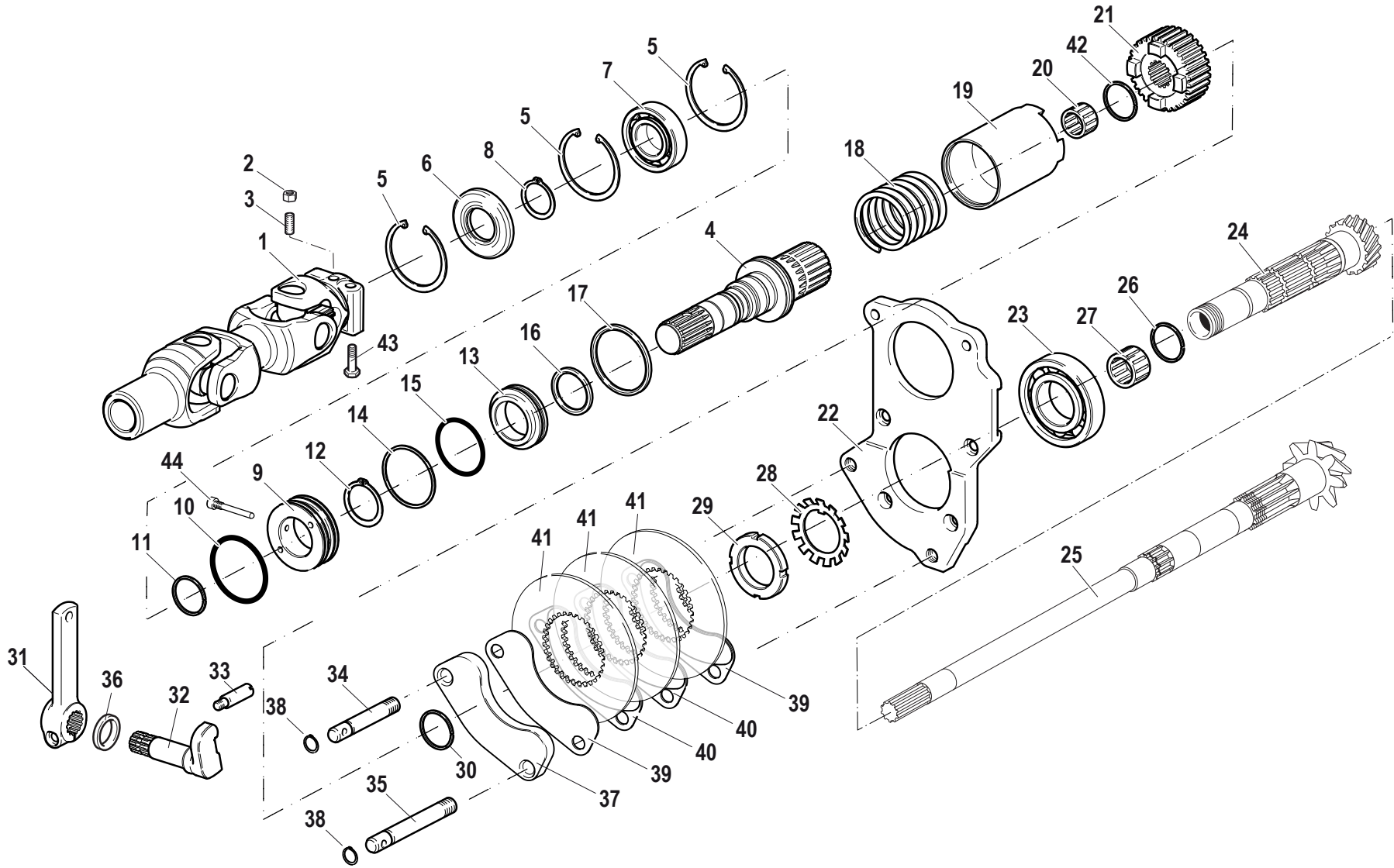
CODE REV  
**D.16.01.L60007\_1**



Pos.	Code	Q.ty	Description	Notes
1	58178872	1	JOINT	
2	31241080	1	HEXAGON SELFLOCK NUT M8	
3	F0862657000	1	GRAIN	
4	52477905	1	PTO SHAFT	209/05
5	35111062	3	SEEGER RING	
6	F0802125100	1	OIL SEAL 30X62X7	
7	37111299	1	BEARING	
8	35121031	1	SEEGER RING	209/05
9	56377906	1	MANIFOLD	209/05
10	F0803210000	2	O-RING	
11	58077908	2	RING	209/05
12	F0801264050	1	SEEGER RING	
13	56075831	1	PISTON	
14	F0801380100	1	SAFETY RING	
15	F0803209080	1	O-RING	
16	58175837	1	GASKET	
17	58175838	1	GASKET	
18	58075833	1	SPRING	
19	52475835	1	SLIDING SLEEVE	
20	37320220	1	ROLLER CAGE 20x26/17	
21	52475836	1	FIX SLEEVE	
22	51175810	1	FRONT COVER	
23	F0812899000	1	BEARING 6208-NR	
24	52478613	1	COUNTERSHAFT	
25	59376016	1	BEVEL GEAR	
26	F0801241005	2	SAFETY RING	
27	F0812689000	1	ROLLER CAGE K 25X30/20 H	
28	F0844539000	1	WASHER	
29	F0821054000	1	RING NUT KM 8(M40X1,5)DIN 981	
30	F0801183000	1	SAFETY RING	
31	56577429	1	LEVER	
32	56579291	1	RIG PIN	
33	56375829	1	STUD BOLT	
34	56376255	1	STUD BOLT	

SERIAL  
START  
**911834**

END  
**912719**



Pos.	Code	Q.ty	Description	Notes
35	56376243	1	STUD BOLT	
36	38212601	1	OIL SEAL 25X32X7	
37	52475817	1	SLIDING BLOCK	
38	35121012	2	SEEGER RING	
39	58175816	2	SECTOR	
40	58175818	2	SECTOR	
41	56375819	3	DISC	
42	F0801190100	1	SAFETY RING	
43	F0862785000	1	SCREW	
44	56375876	1	SCREW	

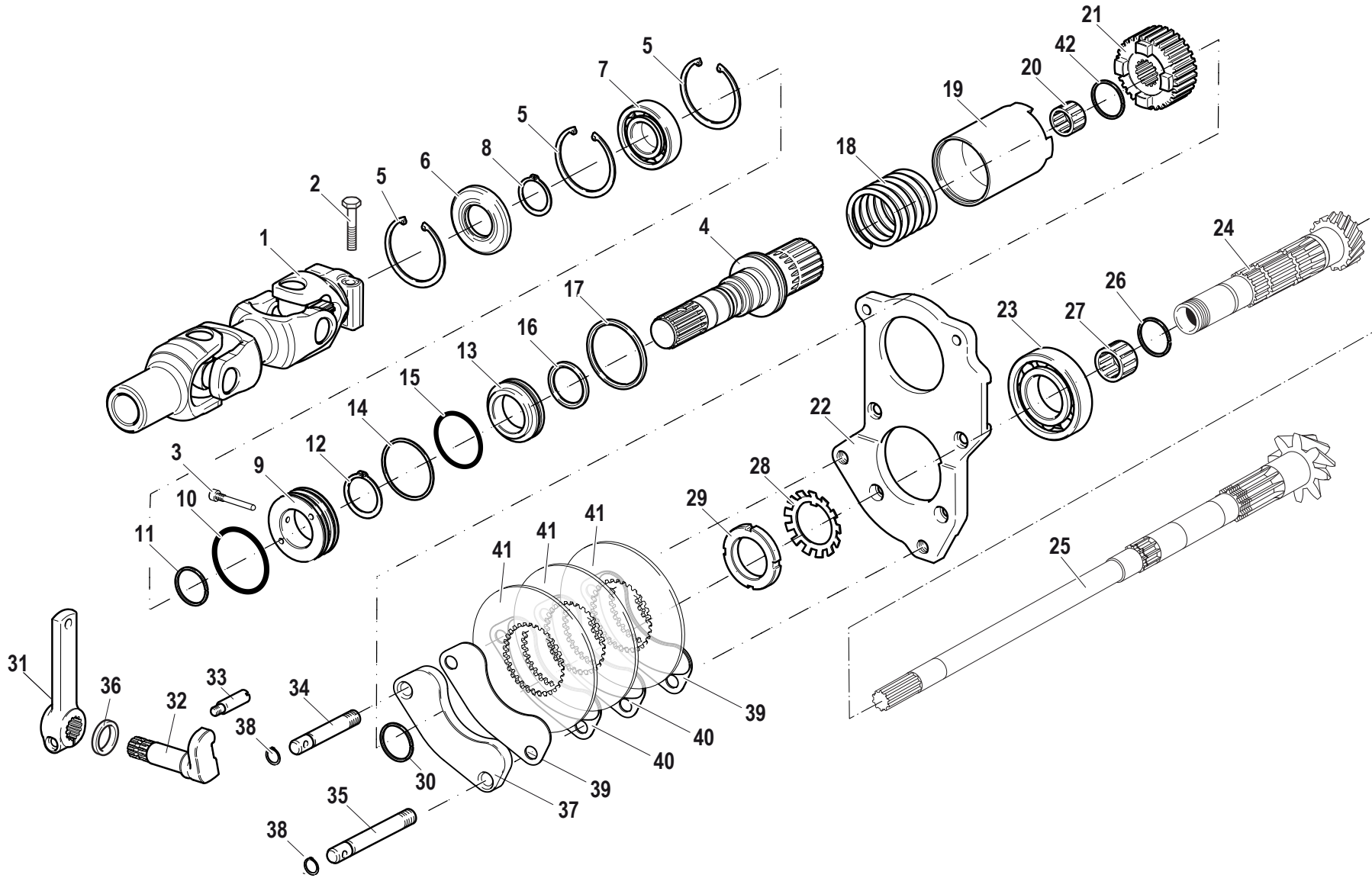
SERIAL  
START  
**911834**

END  
**912719**

Hp 75

CODE REV  
**D.16.01.L60007\_2**





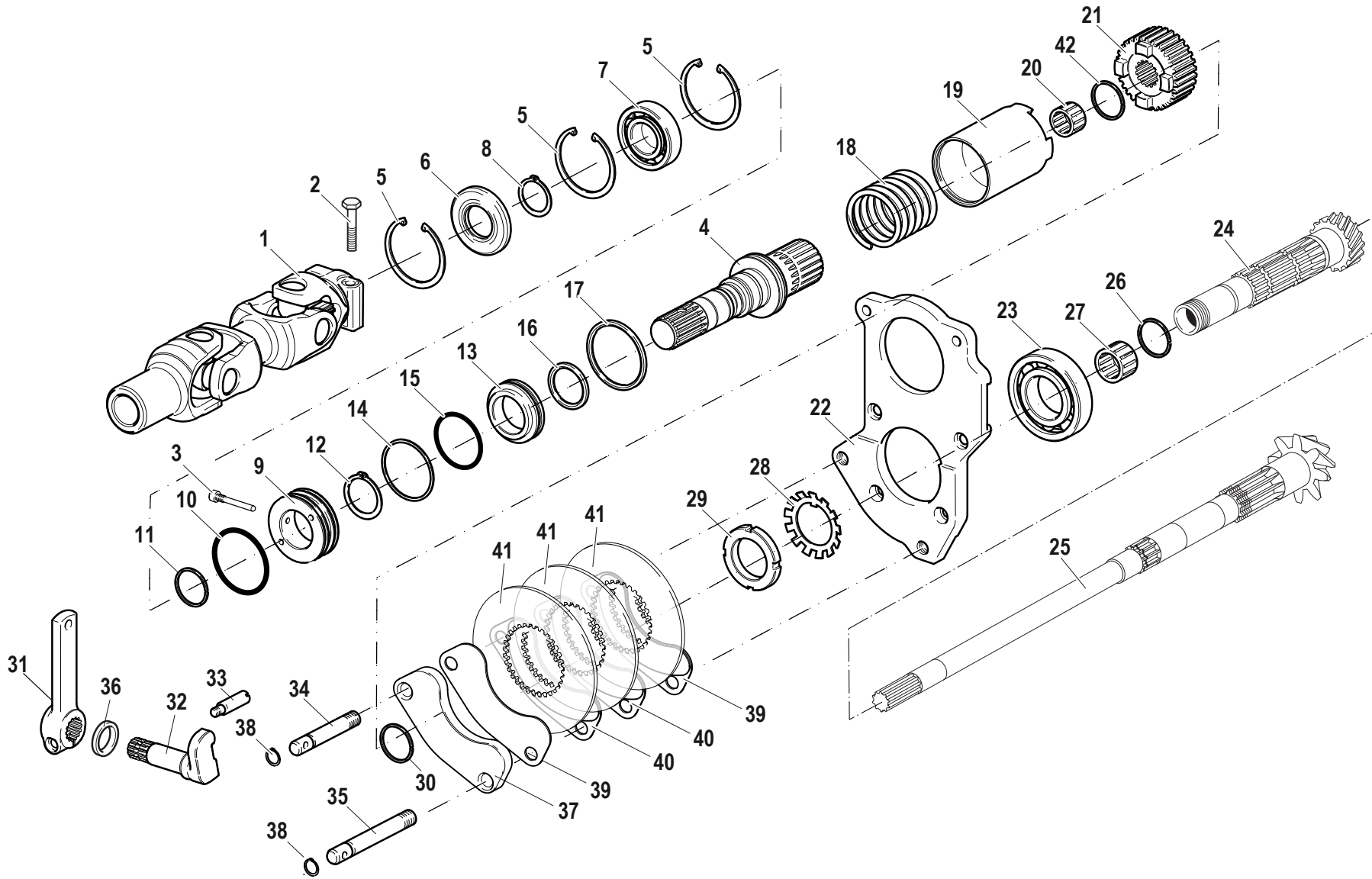
D.16.01.L60007\_3

Pos.	Code	Q.ty	Description	Notes
1	58178810	1	JOINT	099/06
2	31111156	1	SCREW TE M8X50 UNI 5737 CL 10.9	099/06
3	56375876	1	SCREW	
4	52478812	1	SHAFT	099/06
5	35111062	3	SEEGER RING	
6	F0802125100	1	OIL SEAL 30X62X7	
7	37111299	1	BEARING	
8	35121031	1	SEEGER RING	
9	56377906	1	MANIFOLD	
10	F0803210000	2	O-RING	
11	58077908	2	RING	
12	F0801264050	1	SEEGER RING	
13	56075831	1	PISTON	
14	F0801380100	1	SAFETY RING	
15	F0803209080	1	O-RING	
16	58175837	1	GASKET	
17	58175838	1	GASKET	
18	58075833	1	SPRING	
19	52475835	1	SLIDING SLEEVE	
20	37320220	1	ROLLER CAGE 20x26/17	
21	52475836	1	FIX SLEEVE	
22	51175810	1	FRONT COVER	
23	F0812899000	1	BEARING 6208-NR	
24	52478613	1	COUNTERSHAFT	
25	59376016	1	BEVEL GEAR	
26	F0801241005	2	SAFETY RING	
27	F0812689000	1	ROLLER CAGE K 25X30/20 H	
28	F0844539000	1	WASHER	
29	F0821054000	1	RING NUT KM 8(M40X1,5)DIN 981	
30	F0801183000	1	SAFETY RING	
31	56577429	1	LEVER	
32	56579291	1	RIG PIN	
33	56375829	1	STUD BOLT	
34	56376255	1	STUD BOLT	

SERIAL  
START  
**912720**

CODE REV

**D.16.01.L60007\_3**



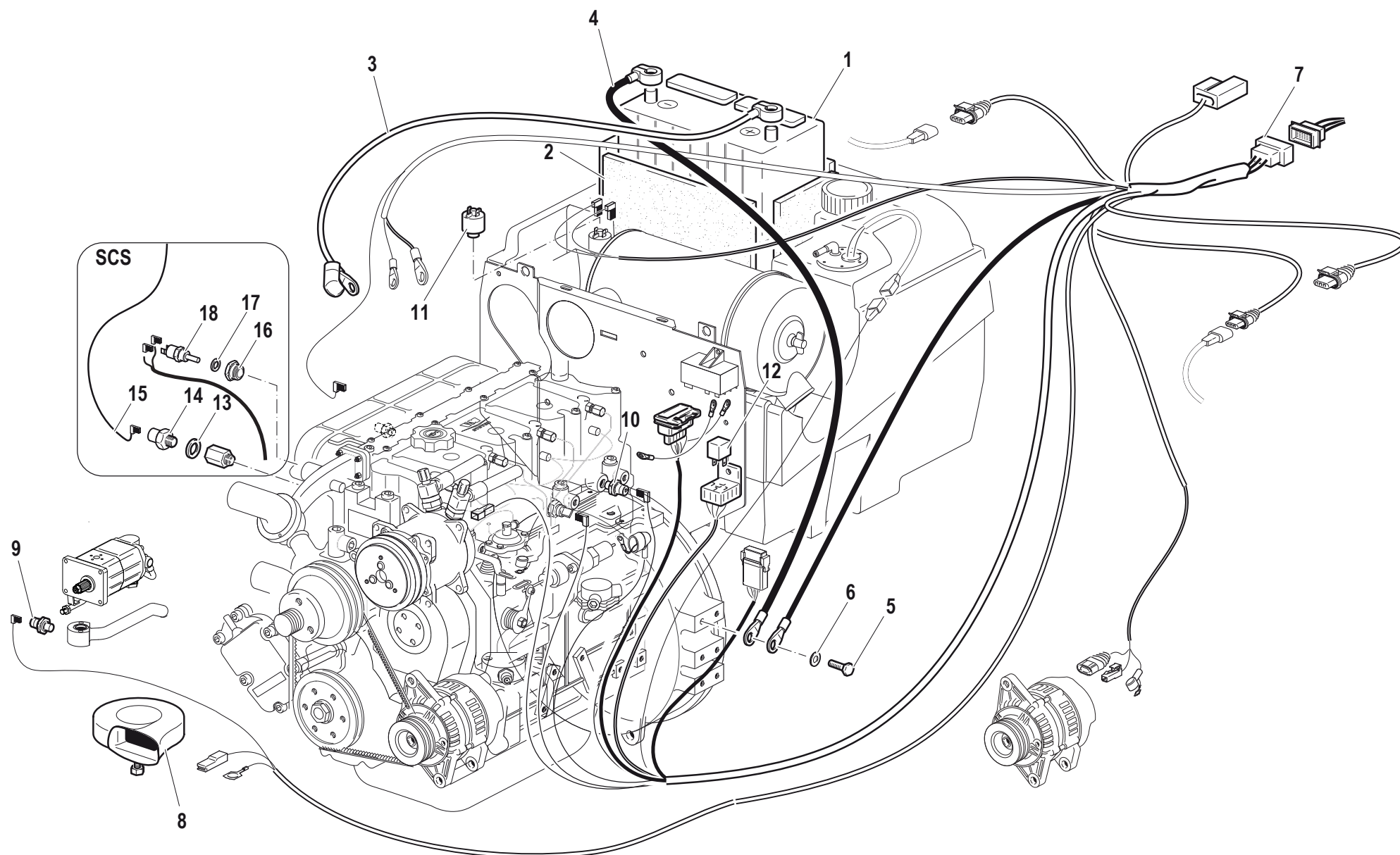
D.16.01.L60007\_3

<b>Pos.</b>	<b>Code</b>	<b>Q.ty</b>	<b>Description</b>	<b>Notes</b>
35	56376243	1	STUD BOLT	
36	38212601	1	OIL SEAL 25X32X7	
37	52475817	1	SLIDING BLOCK	
38	35121012	2	SEEGER RING	
39	58175816	2	SECTOR	
40	58175818	2	SECTOR	
41	56375819	3	DISC	
42	F0801190100	1	SAFETY RING	

SERIAL  
START  
**912720**

Hp 75

CODE REV  
**D.16.01.L60007\_3**



Pos.	Code	Q.ty	Description	Notes
1	F0825480100	1	BATTERY	
2	F0190018909	1	LINING	
3	58071313	1	CABLE	
4	58072081	1	CABLE	
5	31112210	1	SCREW TE M10X20 UNI 5739	
6	F0843755000	1	WASHER 10	
7	58076509	1	CABLE	
8	F0825417000	1	HORN	
9	58175122	1	DIGITAL INSTRUMENT	
10	58175773	1	ELECTRONICAL THERMOMETER	
11	59900146	1	VALVE	
12	59901507	1	RELAY	
13	F0844030070	1	COPPER WASHER 16,0x22/1,5	
14	58179276	1	SWITCH	
15	58079277	1	CABLE	
16	56177938	1	REDUCING BUSH	
17	F0824113000	1	COPPER WASHER 18X24/1,5	
18	59901061	1	THERMOSTAT	

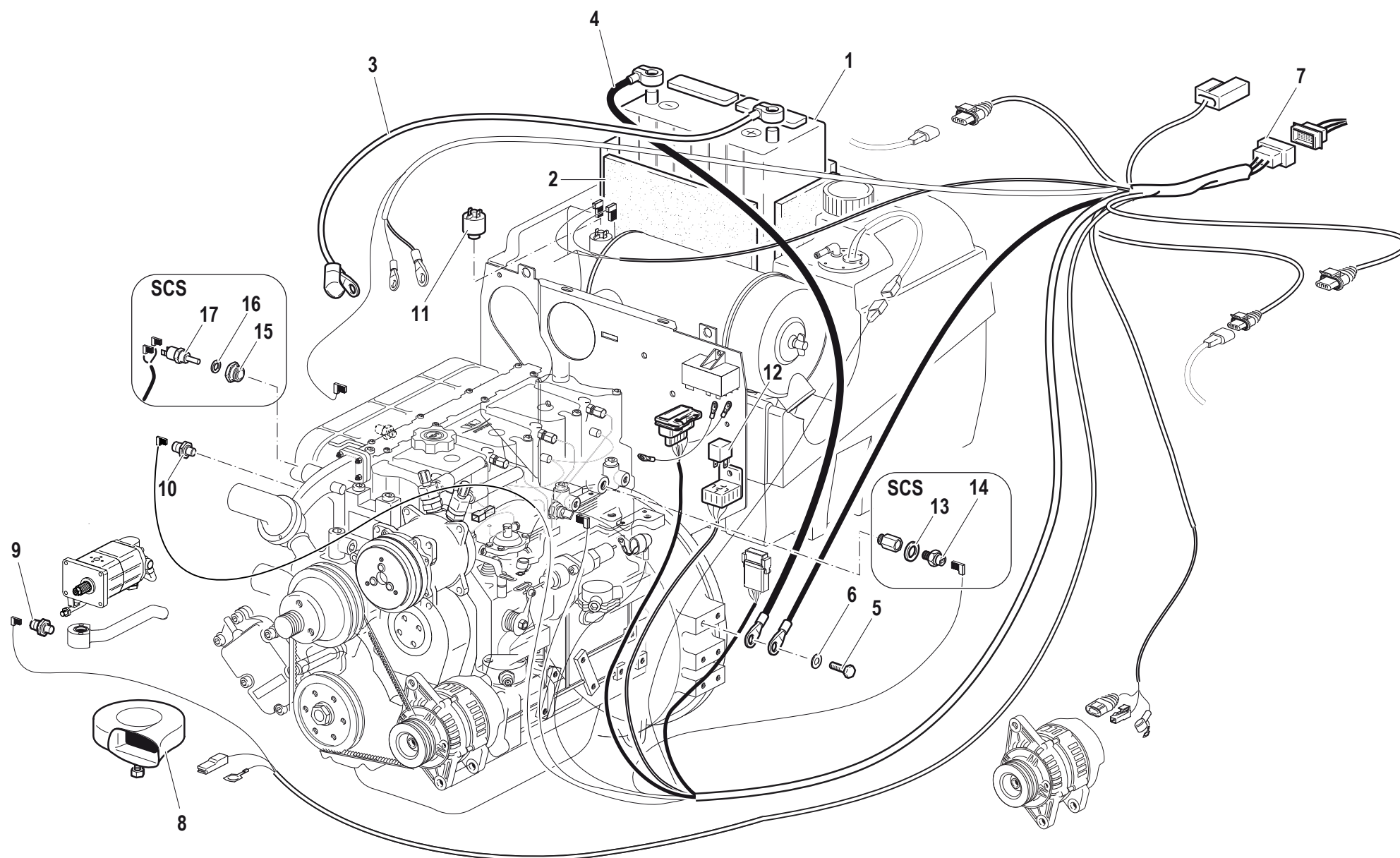
SERIAL  
END  
**915999**

**IMPIANTO ELETTRICO MOTORE**

Hp 75

CODE REV

**E.01.01.L60007\_0**



Pos.	Code	Q.ty	Description	Notes
1	F0825480100	1	BATTERY	
2	F0190018909	1	LINING	
3	58071313	1	CABLE	
4	58072081	1	CABLE	
5	31112210	1	SCREW TE M10X20 UNI 5739	
6	F0843755000	1	WASHER 10	
7	58079755	1	CABLE	010-08
8	F0825417000	1	HORN	
9	58175122	1	DIGITAL INSTRUMENT	
10	58175773	1	ELECTRONICAL THERMOMETER	
11	59900146	1	VALVE	
12	59901507	1	RELAY	
13	F0844030070	1	COPPER WASHER 16,0x22/1,5	
14	58179276	1	SWITCH	
15	56177938	1	REDUCING BUSH	
16	F0824113000	1	COPPER WASHER 18X24/1,5	
17	59901061	1	THERMOSTAT	

SERIAL  
START  
**916000**

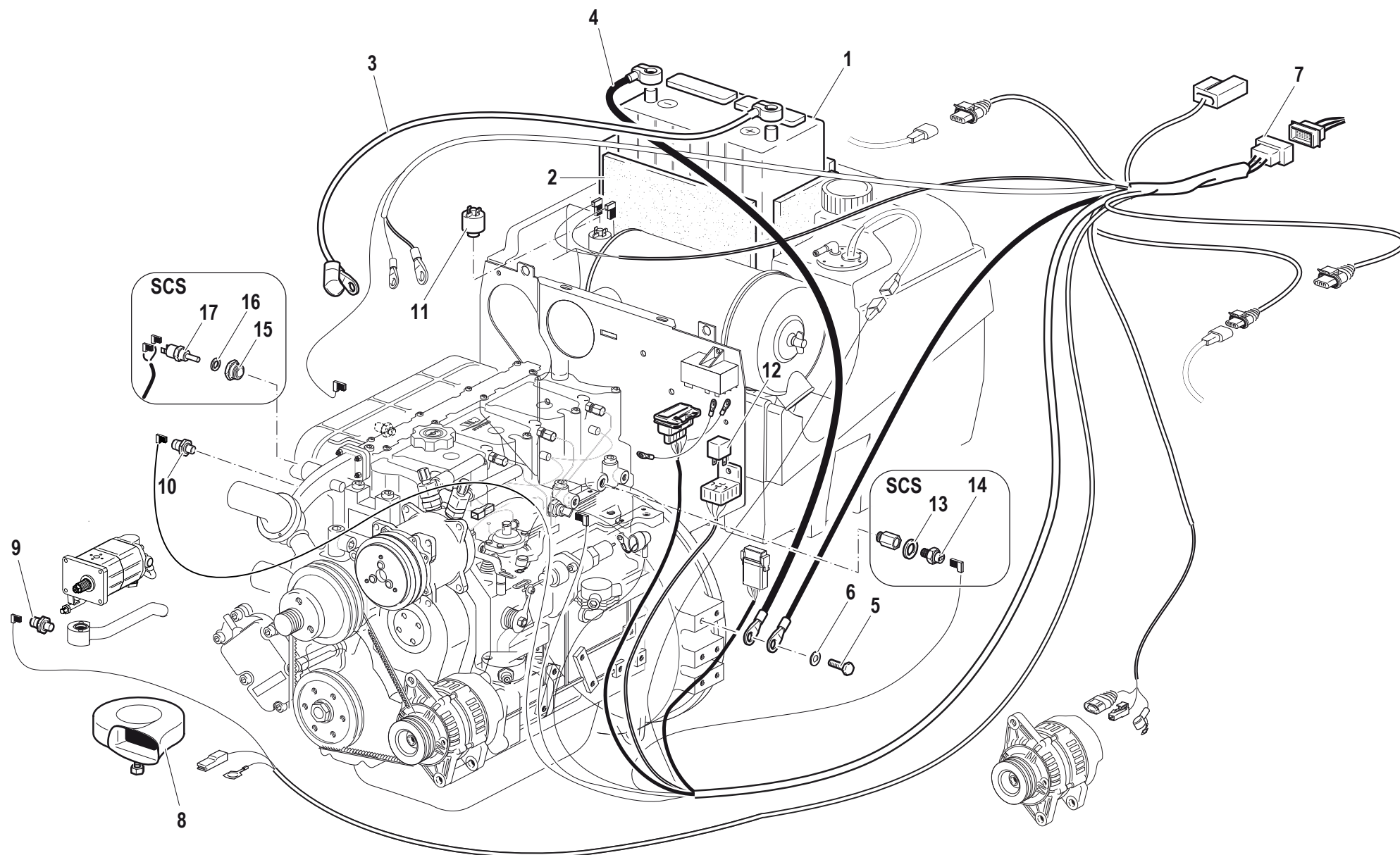
END  
**917506**

**IMPIANTO ELETTRICO ANTERIORE**

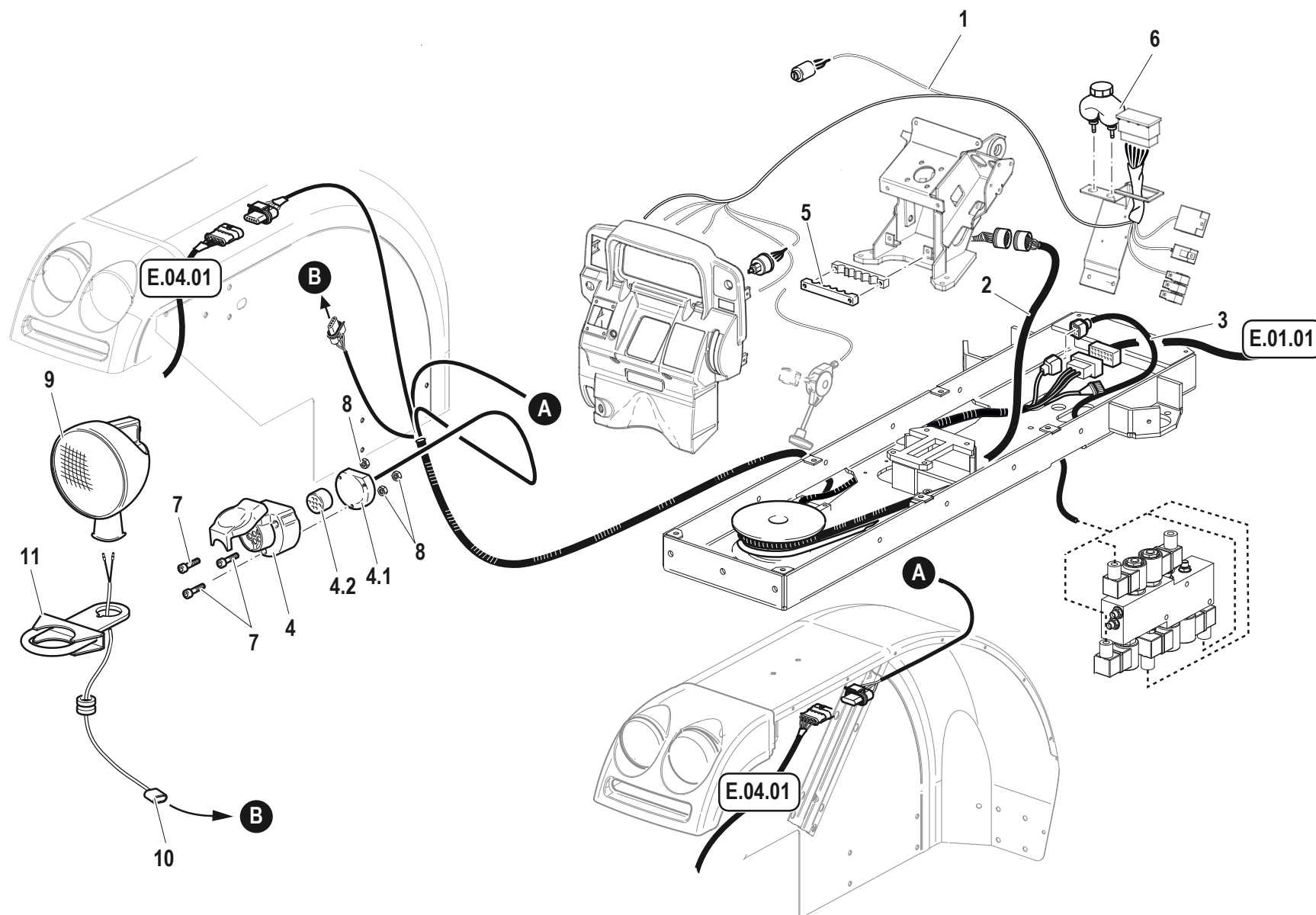
CODE REV

**E.01.01.L60008\_1**

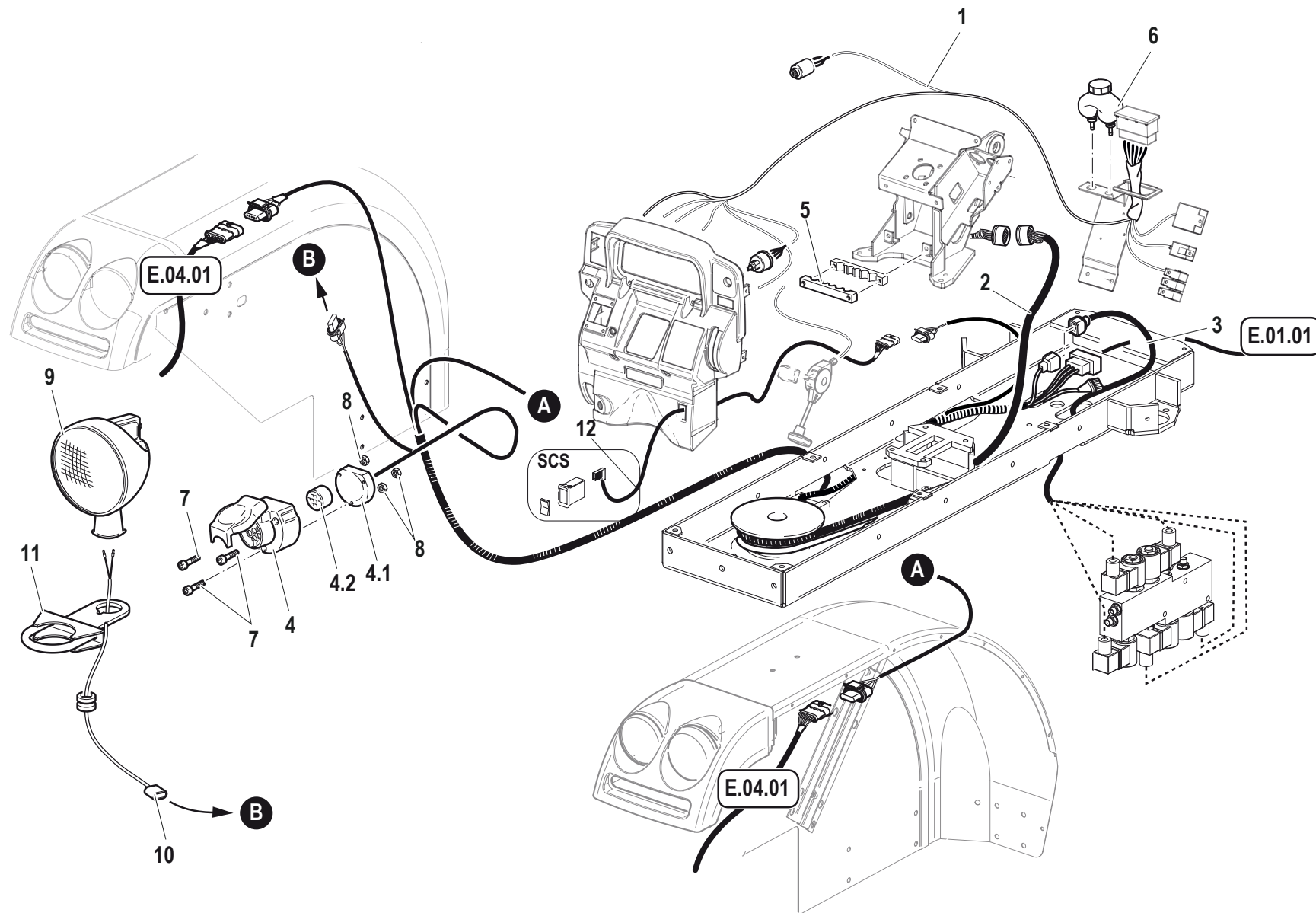




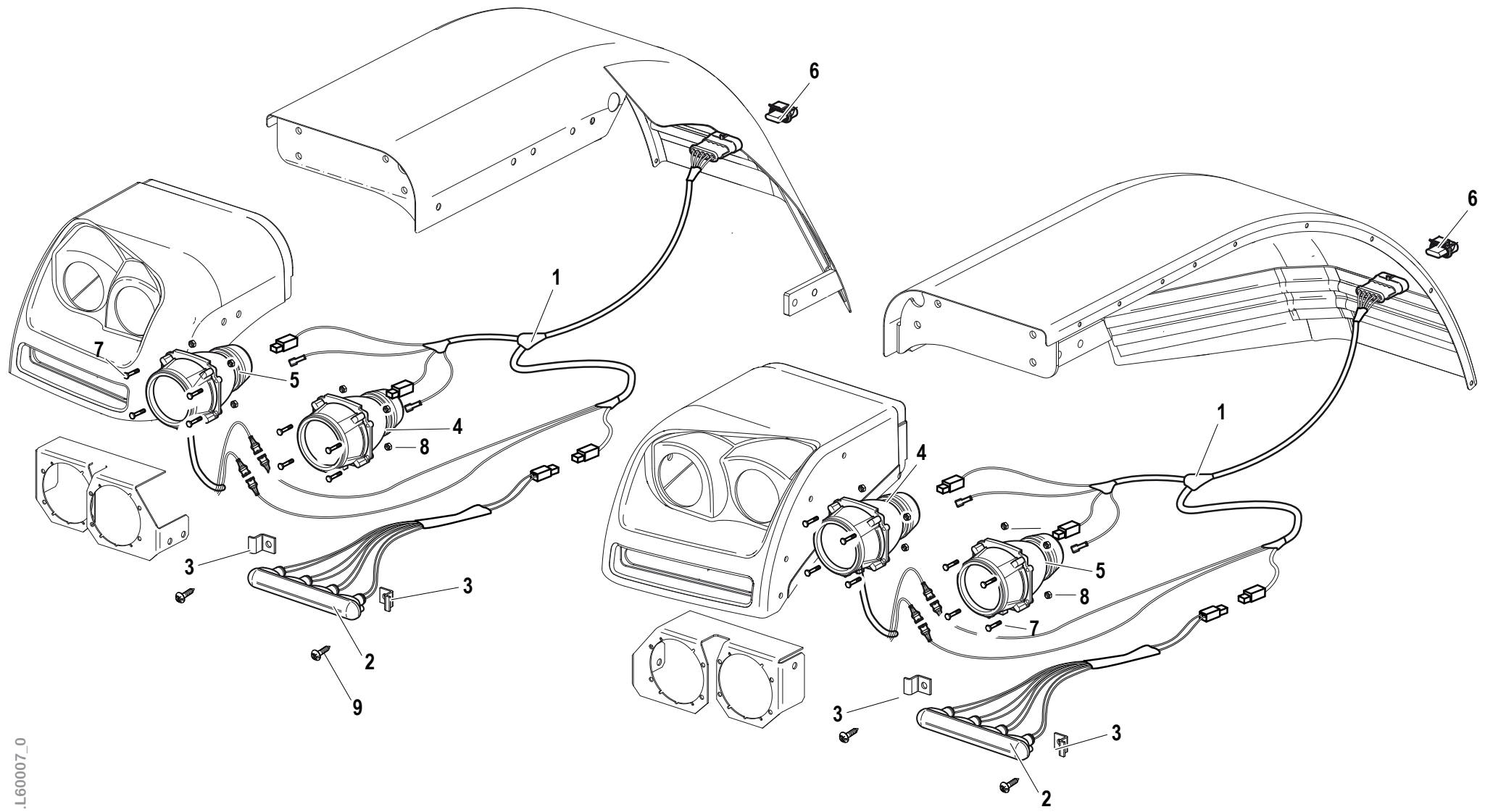
Pos.	Code	Q.ty	Description	Notes
1	F0825480100	1	BATTERY	
2	F0190018909	1	LINING	
3	58071313	1	CABLE	
4	58072081	1	CABLE	
5	31112210	1	SCREW TE M10X20 UNI 5739	
6	F0843755000	1	WASHER 10	
7	580A0123	1	CABLE	097-08
8	F0825417000	1	HORN	
9	58175122	1	DIGITAL INSTRUMENT	
10	58175773	1	ELECTRONICAL THERMOMETER	
11	59900146	1	VALVE	
12	59901507	1	RELAY	
13	F0844030070	1	COPPER WASHER 16,0x22/1,5	
14	58179276	1	SWITCH	
15	56177938	1	REDUCING BUSH	
16	F0824113000	1	COPPER WASHER 18X24/1,5	
17	59901061	1	THERMOSTAT	



Pos.	Code	Q.ty	Description	Notes
1	58076508	1	CABLE	
2	58076510	1	CABLE	
3	58078881	1	WIRING	
4	F0825438000	1	SOCKET	
5	56176142	1	COMB	
6	P238176000000	1	TANK	
7	F0861941000	3	SCREW	
8	31211050	3	NUT M5	
9	F0825493000	1	HEADLIGHT	
10	58077305	1	CABLE	
11	59077242	1	SUPPORT	
4.1	58170572	1	CAP	
4.2	58170571	1	ATTACHMENT PLUG	

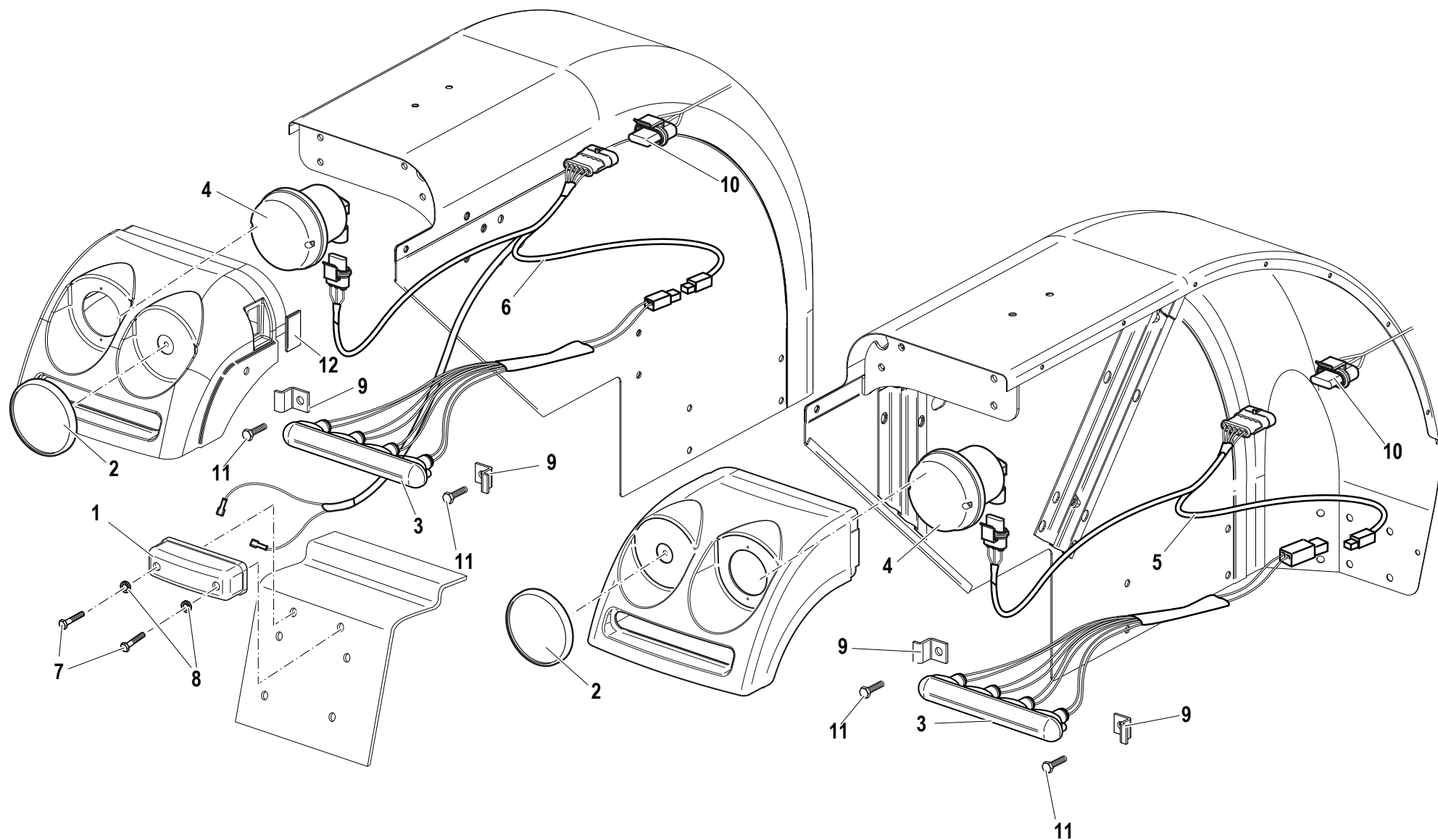


Pos.	Code	Q.ty	Description	Notes
1	580A0946	1	CABLE	097-08
2	580A0124	1	CABLE	097-08
3	58078881	1	WIRING	
4	F0825438000	1	SOCKET	
5	56176142	1	COMB	
6	P238176000000	1	TANK	
7	F0861941000	3	SCREW	
8	31211050	3	NUT M5	
9	F0825493000	1	HEADLIGHT	
10	58077305	1	CABLE	
11	59077242	1	SUPPORT	
12	580A0127	1	CABLE	097-08
4.1	58170572	1	CAP	
4.2	58170571	1	ATTACHMENT PLUG	



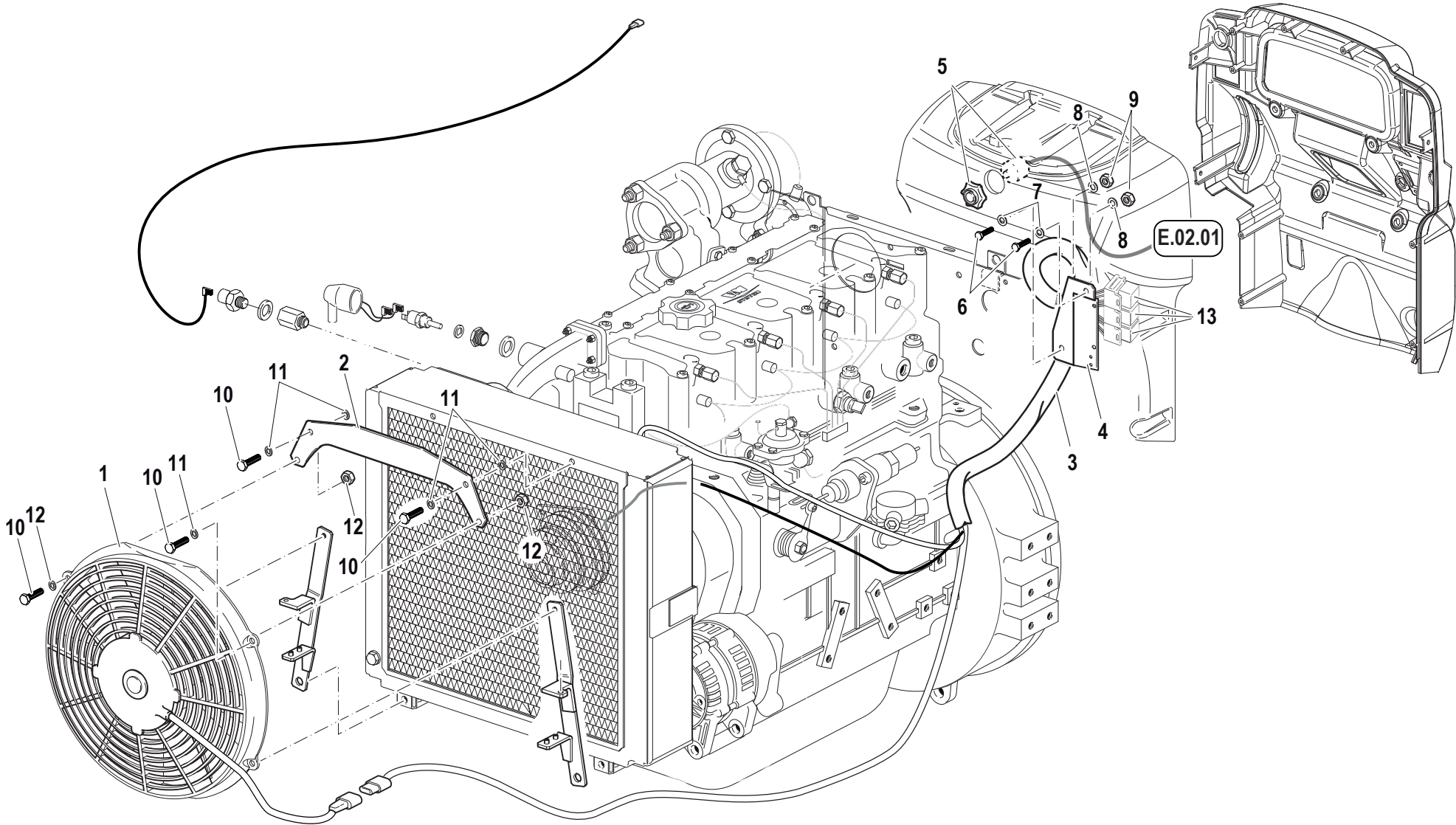
<b>Pos.</b>	<b>Code</b>	<b>Q.ty</b>	<b>Description</b>	<b>Notes</b>
1	58077060	2	CABLE	
2	58176406	2	INDICATOR	
3	56177045	4	RETAINER	
4	58176394	2	OPTICAL GROUP	
5	58176395	2	OPTICAL GROUP	
6	58076510	1	CABLE	
7	31111084	16	SCREW TE M4X16 UNI 5739 8G	
8	31241040	16	SELFLOCK NUT M4	
9	F0861830100	4	RIBBED SCREW 3,9X13AB DIN7981	





Pos.	Code	Q.ty	Description	Notes
1	30000506	1	LAMP	
2	58177330	2	REFLECTOR	
3	58176406	2	INDICATOR	
4	58176396	2	LAMP	
5	58077062	1	CABLE	
6	58077061	1	CABLE	
7	31152081	2	SCREW TCEI M8X20 UNI 5931	
8	31211080	2	NUT M8	
9	56177045	4	RETAINER	
10	F0825438000	1	SOCKET	

# IMPIANTO ELETTRICO MOTORE (SELF CLEANING SYSTEM)

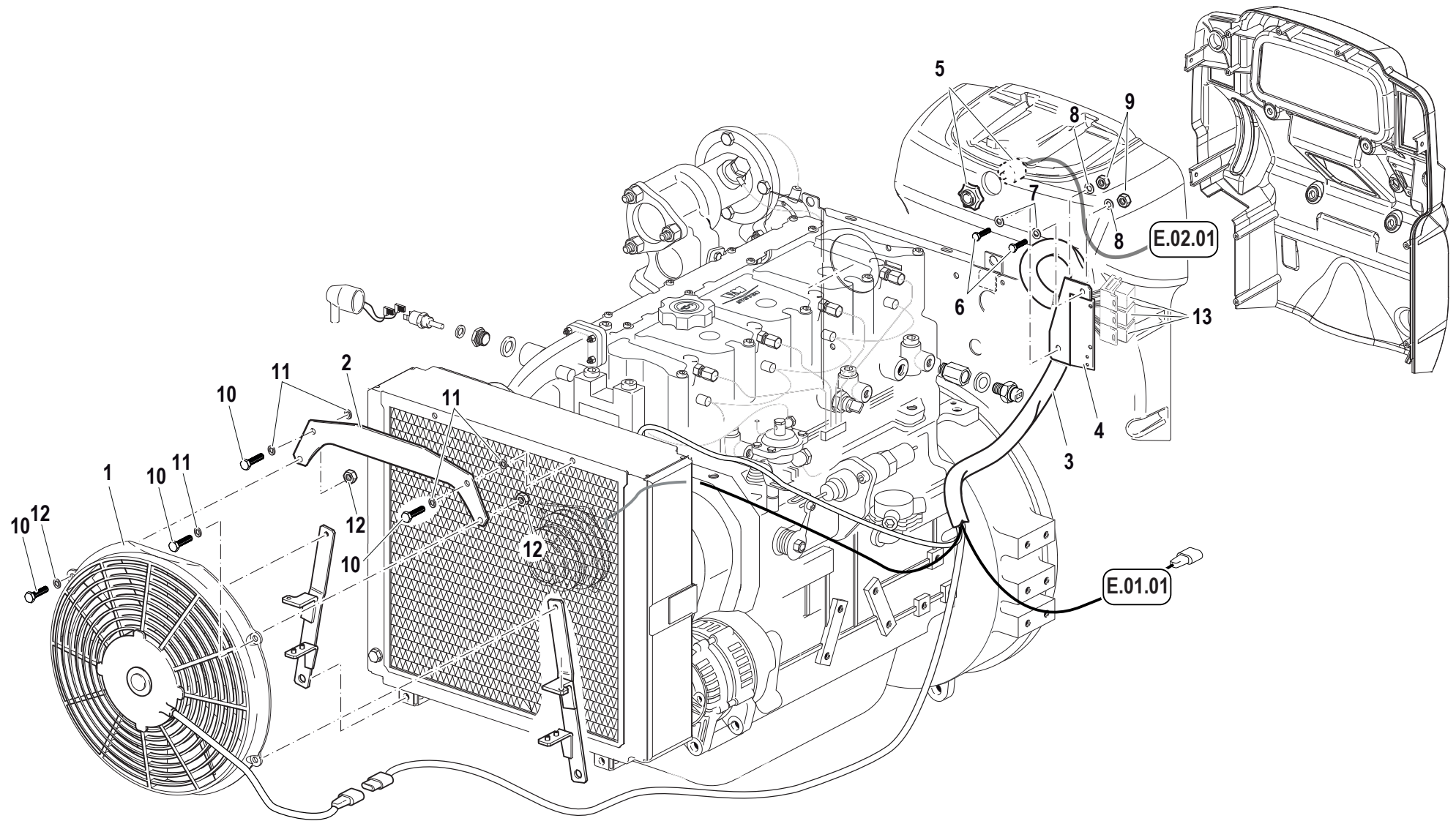


Pos.	Code	Q.ty	Description	Notes
1	58177939	1	FAN	
2	59077945	1	FIXING PLATE	
3	58077984	1	CABLE	
4	56079219	1	RETAINER	
5	58035255	1	BUZZER	
6	31111089	2	SCREW TE M5X10 UNI 5739 8G	
7	31411053	2	WASHER 5,3x10	
8	F0843561000	2	WASHER 5	
9	31211050	2	NUT M5	
10	31112082	4	SCREW TE M6X12 UNI 5739 8G	
11	31411064	6	WASHER 6,4x12,5	
12	31211060	2	HEXAGONAL NUT M8	
13	59901507	3	RELAY	

# IMPIANTO ELETTRICO MOTORE (SELF CLEANING SYSTEM)

SERIAL START 917508 END 925255

E.05.01.L60008\_1



E.05.01.L60008\_1

Pos.	Code	Q.ty	Description	Notes
1	58177939	1	FAN	
2	59077945	1	FIXING PLATE	
3	580A0126	1	CABLE	097-08
4	56079219	1	RETAINER	
5	58035255	1	BUZZER	
6	31111089	2	SCREW TE M5X10 UNI 5739 8G	
7	31411053	2	WASHER 5,3x10	
8	F0843561000	2	WASHER 5	
9	31211050	2	NUT M5	
10	31112082	4	SCREW TE M6X12 UNI 5739 8G	
11	31411064	6	WASHER 6,4x12,5	
12	31211060	2	HEXAGONAL NUT M8	
13	59901507	3	RELAY	

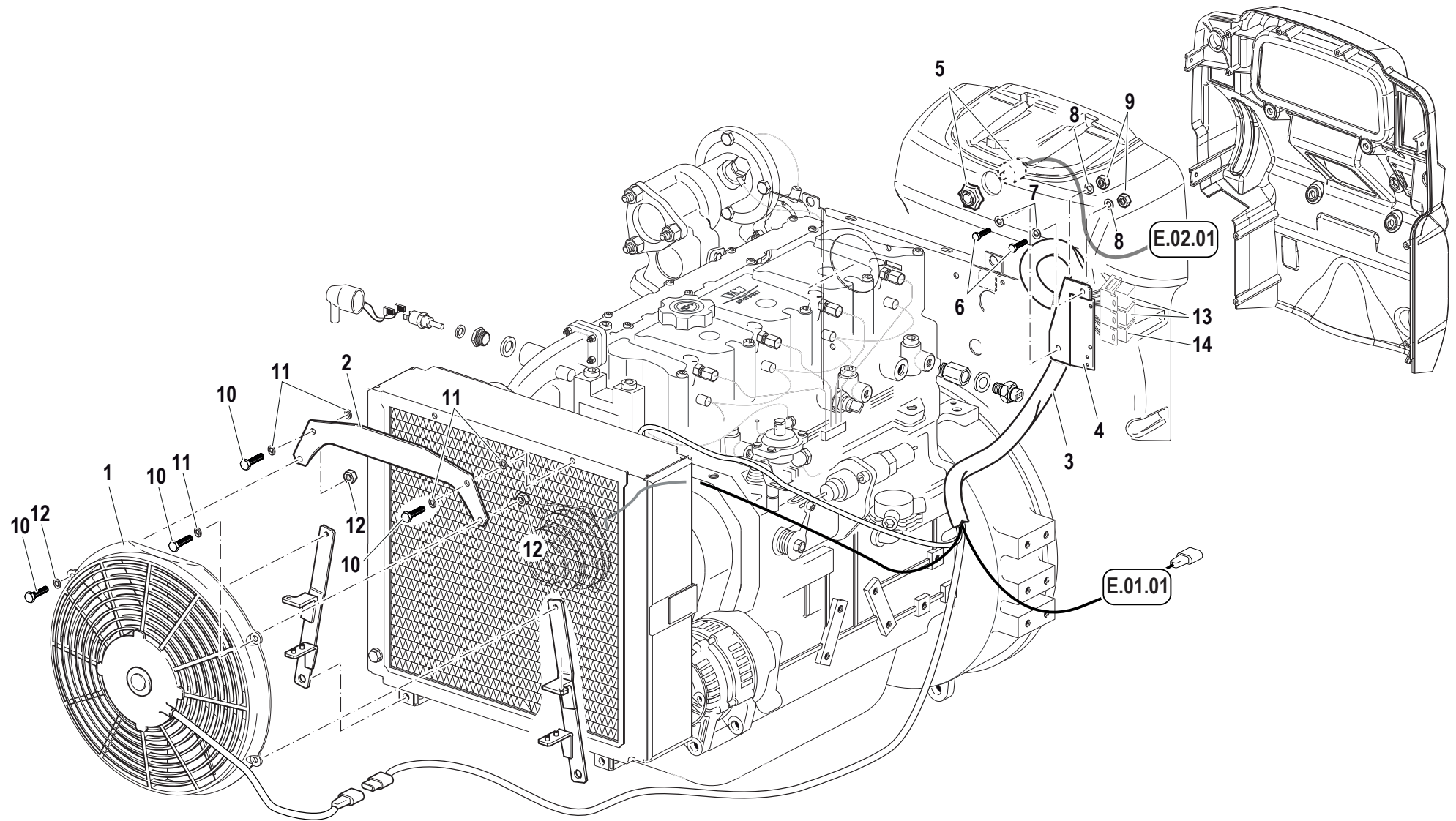
SERIAL  
START  
**917508**

END  
**925255**

**IMPIANTO ELETTRICO MOTORE (SELF CLEANING SYSTEM)**

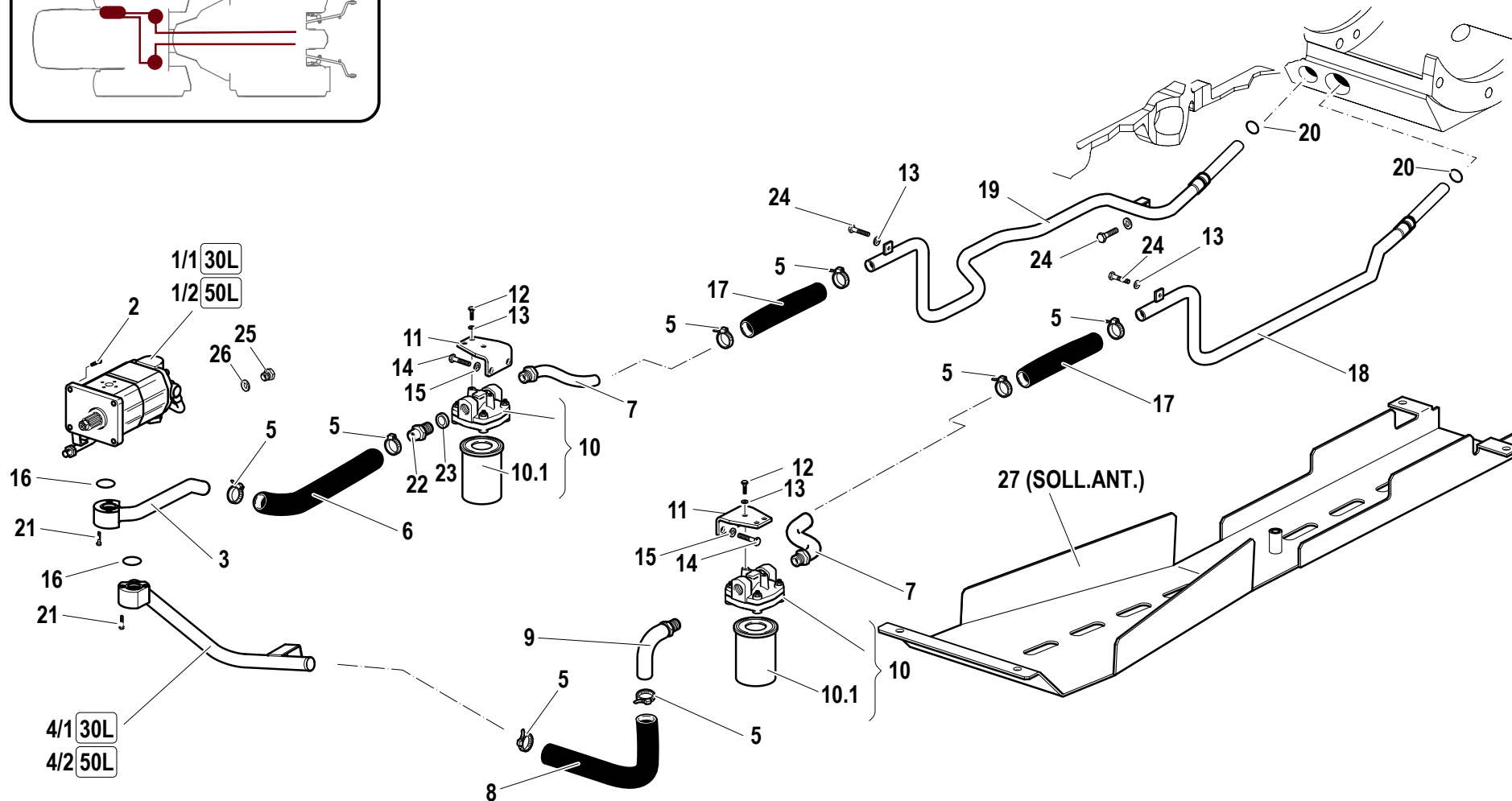
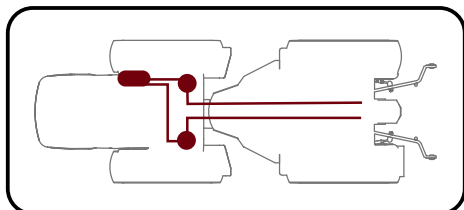
CODE REV  
**E.05.01.L60008\_1**

# IMPIANTO ELETTRICO MOTORE (SELF CLEANING SYSTEM)

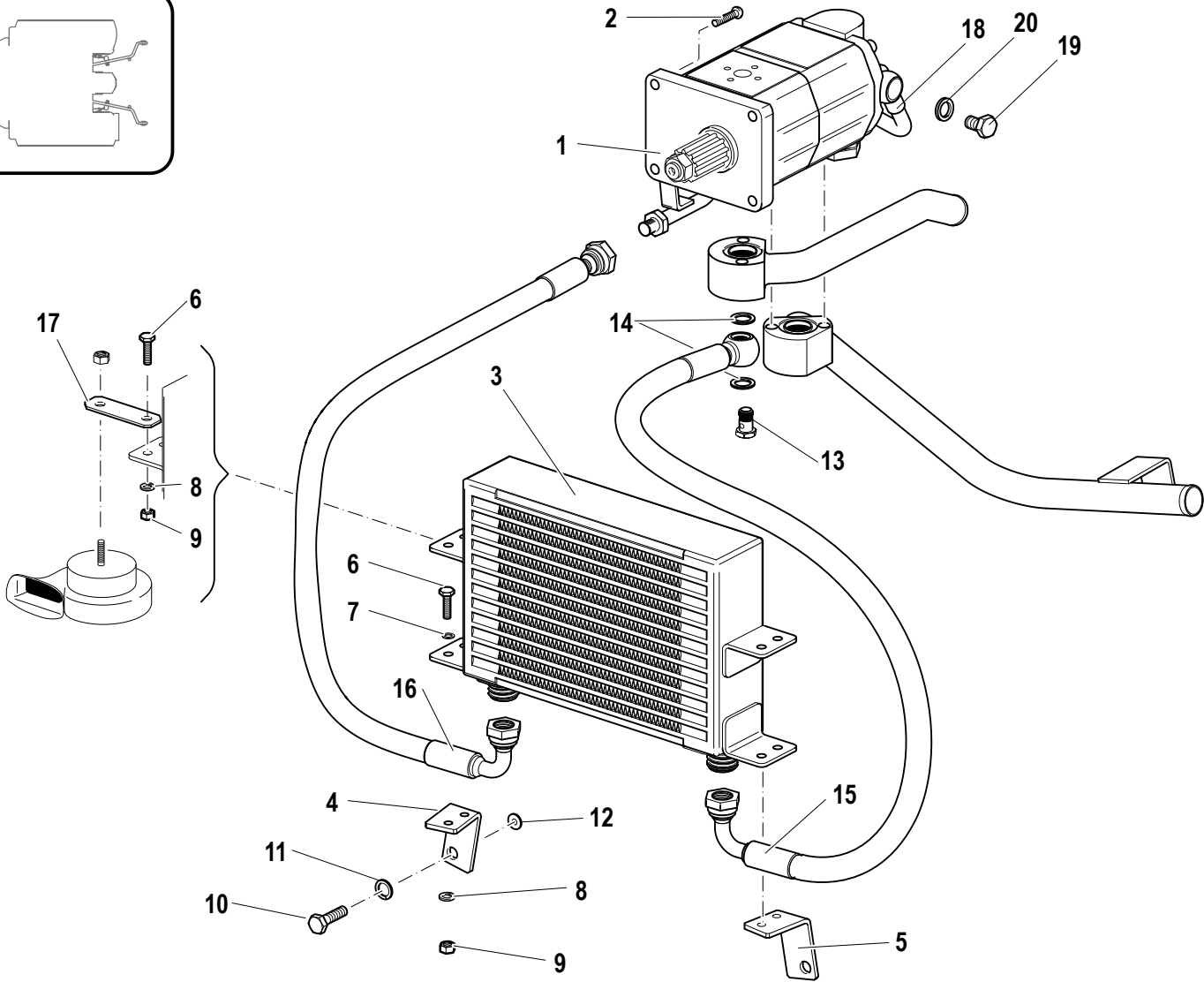
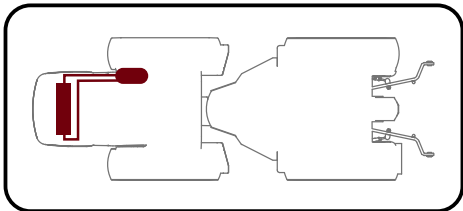


Pos.	Code	Q.ty	Description	Notes
1	58177939	1	FAN	
2	59077945	1	FIXING PLATE	
3	580A2238	1	CAVO COMANDO VENT.75-95-SCS-	121-11
4	56079219	1	RETAINER	
5	58035255	1	BUZZER	
6	31111089	2	SCREW TE M5X10 UNI 5739 8G	
7	31411053	2	WASHER 5,3x10	
8	F0843561000	2	WASHER 5	
9	31211050	2	NUT M5	
10	31112082	4	SCREW TE M6X12 UNI 5739 8G	
11	31411064	6	WASHER 6,4x12,5	
12	31211060	2	HEXAGONAL NUT M8	
13	59901507	2	RELAY	121-11
14	59901491	1	RELAY 70A	121-11



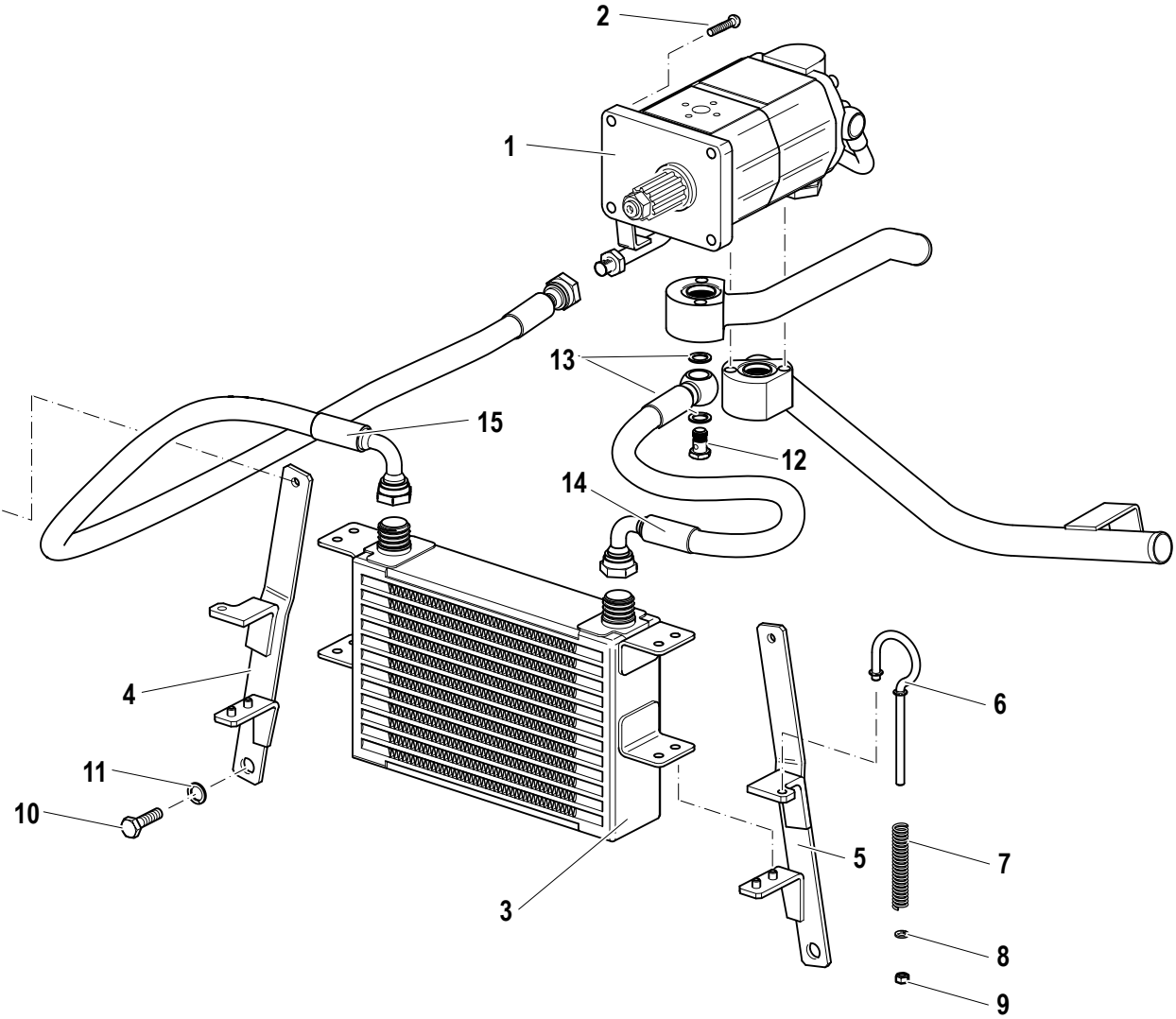
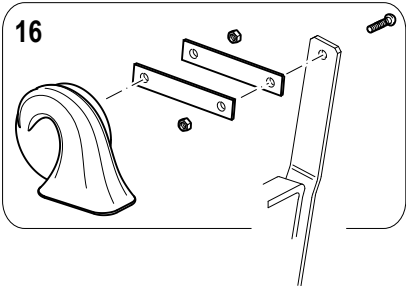
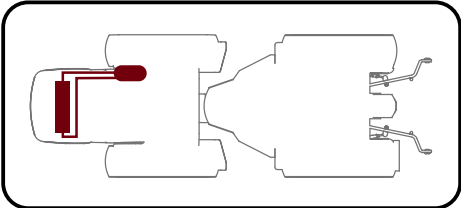


Pos.	Code	Q.ty	Description	Notes
2	31152083	4	SCREW TCEI M8X30 UNI 5931	
3	59076211	1	SUCTION PIPE	
5	F0817503000	8	CLAMP 037,6-906R	
6	58176337	1	SUCTION PIPE	
7	59076212	2	PIPE	
8	58173505	1	FLEXIBLE HOSE	
9	59076213	1	PIPE	
10	58175014	2	FILTER	
11	56174725	2	OIL FILTER BRACKET	
12	31112150	4	SCREW TE M8X20 UNI 5739 8G	
13	F0843643060	9	WASHER 8	
14	31112210	4	SCREW TE M10X20 UNI 5739	
15	F0843755000	4	WASHER 10	
16	38112200	2	O-RING	
17	58176336	2	SUCTION PIPE	
18	590A0992	1	TUBO ASP.POST.IDROG.75-95-RS\$*	183-09
19	590A0993	1	TUBO ASP.POST.SOLL.75-95-RS-\$*	183-09
20	38113142	2	O-RING	
21	F0862796000	4	SCREW M8X40 UNI 5931	
22	56170350	1	PIPE FITTING	
23	F0824185000	1	COPPER WASHER 26X34X1,5	
24	31111151	3	SCREW TE M8X16 UNI 5739 8G	
25	F0852538050	1	PLUG	
26	F0843907000	1	COPPER WASHER 13,66x19/1,5	
27	59077505	1	SHIELD	
1/1	58179463	1	LIFT PUMP	
1/2	58175007	1	LIFT PUMP	
4/1	590A1339	1	SUCTION PIPE	066-10
4/2	590A1340	1	TUBO ASP.POMPA IDRAUL.75-95ST2	066-10
10.1	F0825718020	2	FILTER INSERT	



Pos.	Code	Q.ty	Description	Notes
1	58179463		LIFT PUMP	
2	31152083		SCREW TCEI M8X30 UNI 5931	
3	58177182		OIL EXCHANGER	
4	56174987		RIGHT YOKE	
5	56174988		LEFT BRACKET	
6	31111091		SCREW E M6X14 UNI 5739 8G	
7	31411064		WASHER 6,4x12,5	
8	F0843570000		WASHER 6	
9	31211060		HEXAGONAL NUT M8	
10	31112219		SCREW TE M10X25 UNI 5739	
11	F0843755000		WASHER 10	
12	F0843815000		WASHER D.24x10,5/4	
13	F0843109020		PIPE FITTING	
14	F0824110000		COPPER WASHER 3/8 GAS	
15	58076333		FLEXIBLE HOSE	
16	58076334		FLEXIBLE HOSE	
17	56175294		BRACKET	
18	59079478		PRESSURE PIPE	
19	56172547		THREADED TERMINAL END	

IMPIANTO IDRAULICO : SCAMBIATORE DI CALORE



Pos.	Code	Q.ty	Description	Notes
1	58179463		LIFT PUMP	
2	31152083		SCREW TCEI M8X30 UNI 5931	
3	58177182		OIL EXCHANGER	
4	56174987		RIGHT YOKE	
5	56174988		LEFT BRACKET	
6	31111091		SCREW E M6X14 UNI 5739 8G	
7	31411064		WASHER 6,4x12,5	
8	F0843570000		WASHER 6	
9	31211060		HEXAGONAL NUT M8	
10	31112219		SCREW TE M10X25 UNI 5739	
11	F0843755000		WASHER 10	
12	F0843815000		WASHER D.24x10,5/4	
13	58076333		FLEXIBLE HOSE	
14	58076334		FLEXIBLE HOSE	
15	56175294		BRACKET	
16	59079478		PRESSURE PIPE	
17	56172547		THREADED TERMINAL END	
18	F0843109020		PIPE FITTING	
19	F0824110000		COPPER WASHER 3/8 GAS	

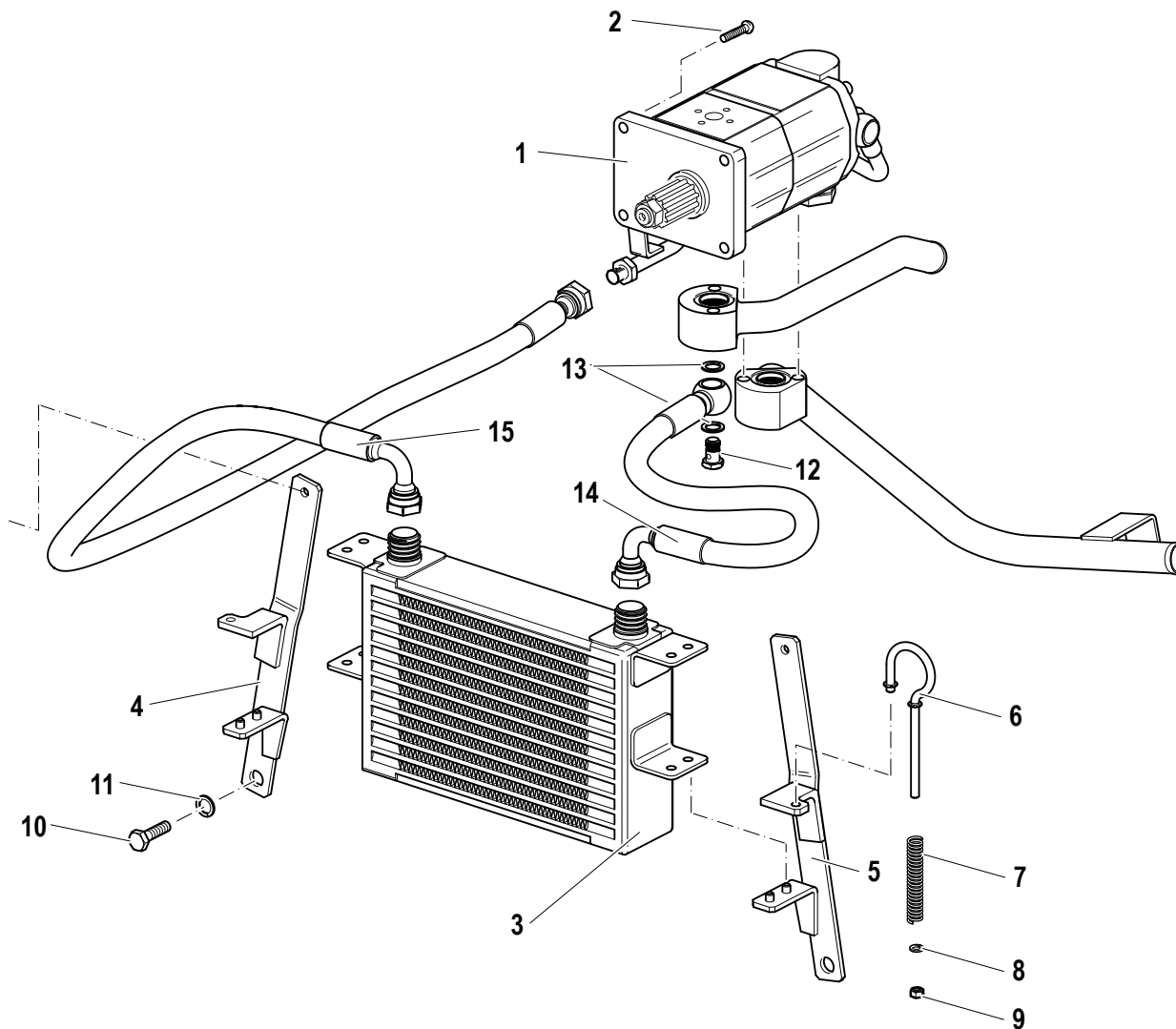
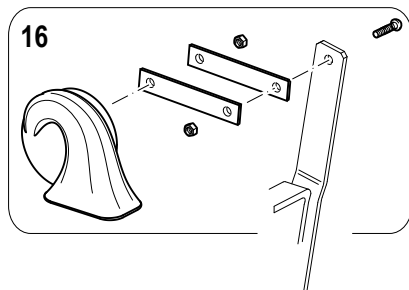
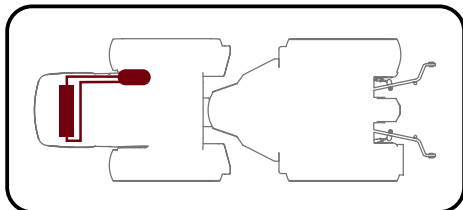
SERIAL  
START  
**916941**

**IMPIANTO IDRAULICO : SCAMBIATORE DI CALORE**

Hp 85

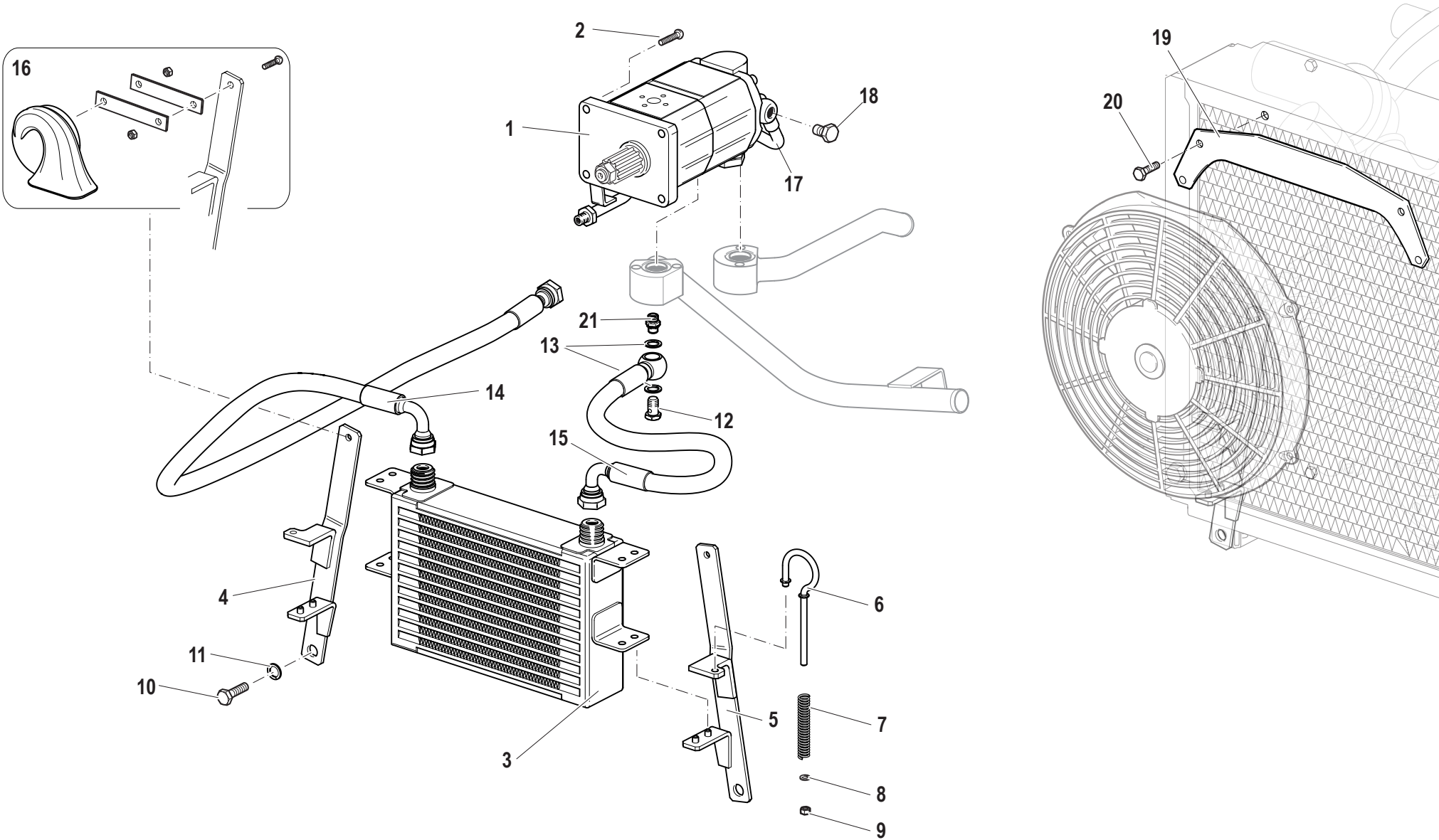
CODE REV

**F.02.01.L60008\_1**

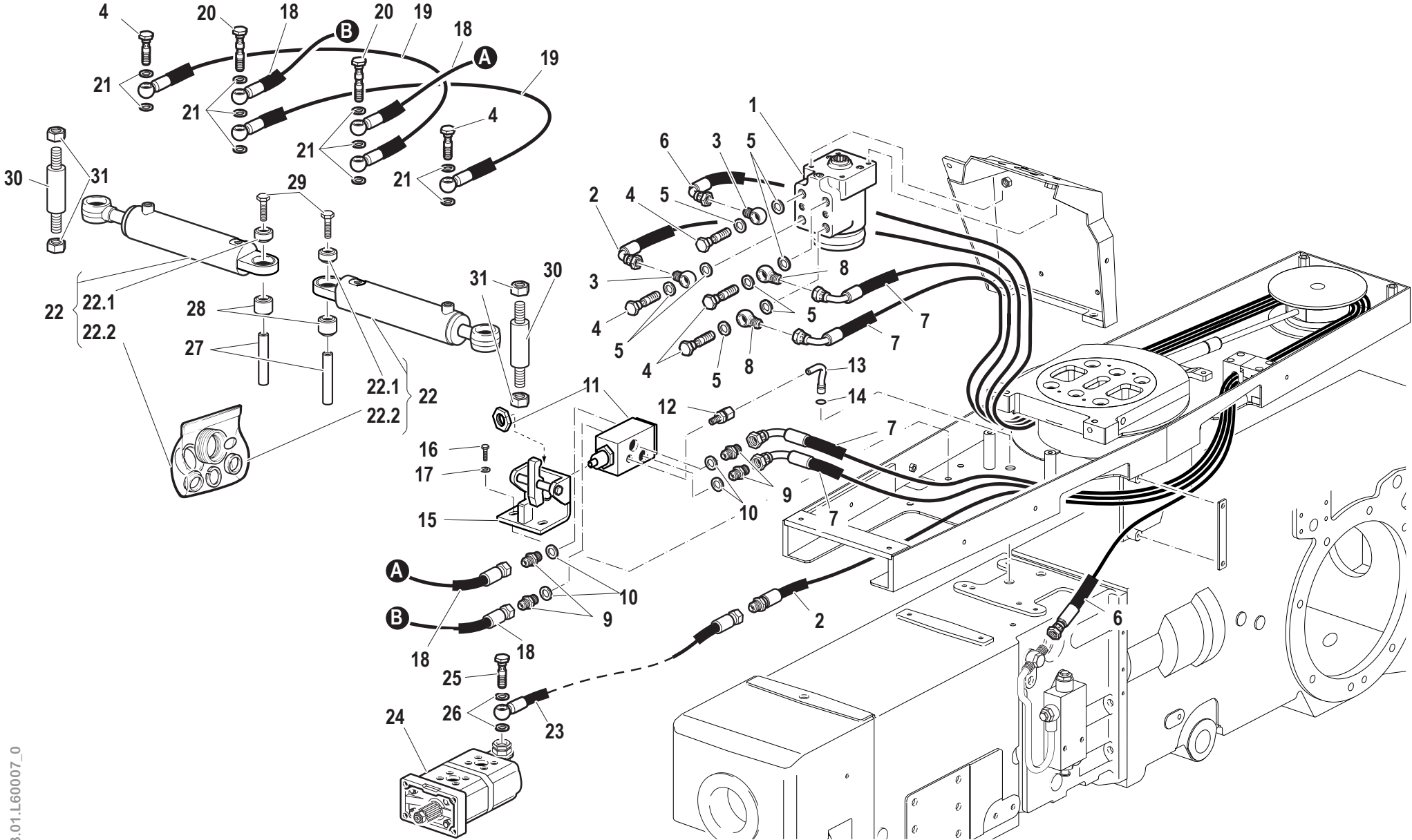


Pos.	Code	Q.ty	Description	Notes
1	58179463		LIFT PUMP	
2	31152083		SCREW TCEI M8X30 UNI 5931	
3	58177182		OIL EXCHANGER	
4	59077947		BRACKET	
5	59077952		BRACKET	
6	59077943		ROD	
7	58077942		SPRING	
8	31411064		WASHER 6,4x12,5	
9	F0814547000		SELFLOCK NUT M6	
10	31112210		SCREW TE M10X20 UNI 5739	
11	F0843755000		WASHER 10	
12	F0843109020		PIPE FITTING	
13	F0824110000		COPPER WASHER 3/8 GAS	
14	58078608		FLEXIBLE HOSE	
15	58076334		FLEXIBLE HOSE	





Pos.	Code	Q.ty	Description	Notes
1	58179463		LIFT PUMP	
2	31152083		SCREW TCEI M8X30 UNI 5931	
3	58177182		OIL EXCHANGER	
4	59077947		BRACKET	
5	59077952		BRACKET	
6	59077943		ROD	
7	58077942		SPRING	
8	31411064		WASHER 6,4x12,5	
9	F0814547000		SELFLOCK NUT M6	
10	31112210		SCREW TE M10X20 UNI 5739	
11	F0843755000		WASHER 10	
12	F0843109020		PIPE FITTING	
13	F0824110000		COPPER WASHER 3/8 GAS	
14	58078608		FLEXIBLE HOSE	
15	58076334		FLEXIBLE HOSE	
16	F0825417000	1	HORN	
17	59079478		PRESSURE PIPE	
18	56172547		THREADED TERMINAL END	
19	59077945	1	FIXING PLATE	
20	31112082	2	SCREW TE M6X12 UNI 5739 8G	
21	30000197	1	NIPPLE	



Pos.	Code	Q.ty	Description	Notes
1	58178954	1	HYDROSTEERING	
2	58074836	1	FLEXIBLE HOSE	
3	F0842512000	1	PIPE FITTING	
4	F0843109000	2	PIPE FITTING 14x1,5	
5	F0824141000	5	COPPER WASHER 21x27/1,5	
6	58077116	1	FLEXIBLE HOSE	
7	58076332	2	FLEXIBLE HOSE	
8	F0835040030	2	PIPE FITTING	
9	F0835031010	4	NIPPLE	
10	F0843907000	4	COPPER WASHER 13,66x19/1,5	
11	P227332000000	1	D.A. VALVE	
12	F0835022000	1	NIPPLE	
13	58076325	1	FLEXIBLE HOSE	
14	F0803050000	1	O-RING	
15	59076140	1	RETAINER	
16	31112150	2	SCREW TE M8X20 UNI 5739 8G	
17	F0843643060	2	WASHER 8	
18	58076331	2	FLEXIBLE HOSE	
19	58074733	2	CONNECTION PIPE	
20	30000211	2	HOLLOW SCREW M14X1,5	
21	F0843948000	10	COPPER WASHER 14,0x20/1,5	
22	58174710	2	STEERING CYLINDER	
23	58077115	1	FLEXIBLE HOSE	
24	58179463	1	LIFT PUMP	
25	F0843110010	1	THREADED TERMINAL END M18x1,5	
26	F0824113000	2	COPPER WASHER 18X24/1,5	
27	59071171	2	HINGE PIN	
28	56171172	2	SPACER	
29	31111151	2	SCREW TE M8X16 UNI 5739 8G	
30	56379482	2	ADJUSTING SCREW	
31	31241161	4	SELFLOCK NUT M16X1,5	
22.1	56170226	1	SPACER	
22.2	59900339	1	GASKET SET	

SERIAL

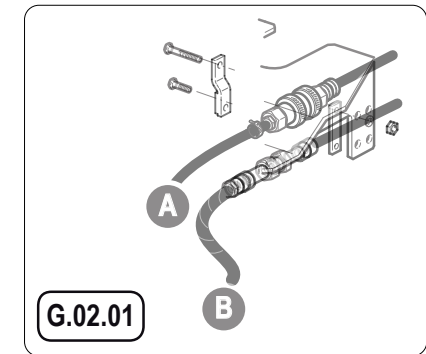
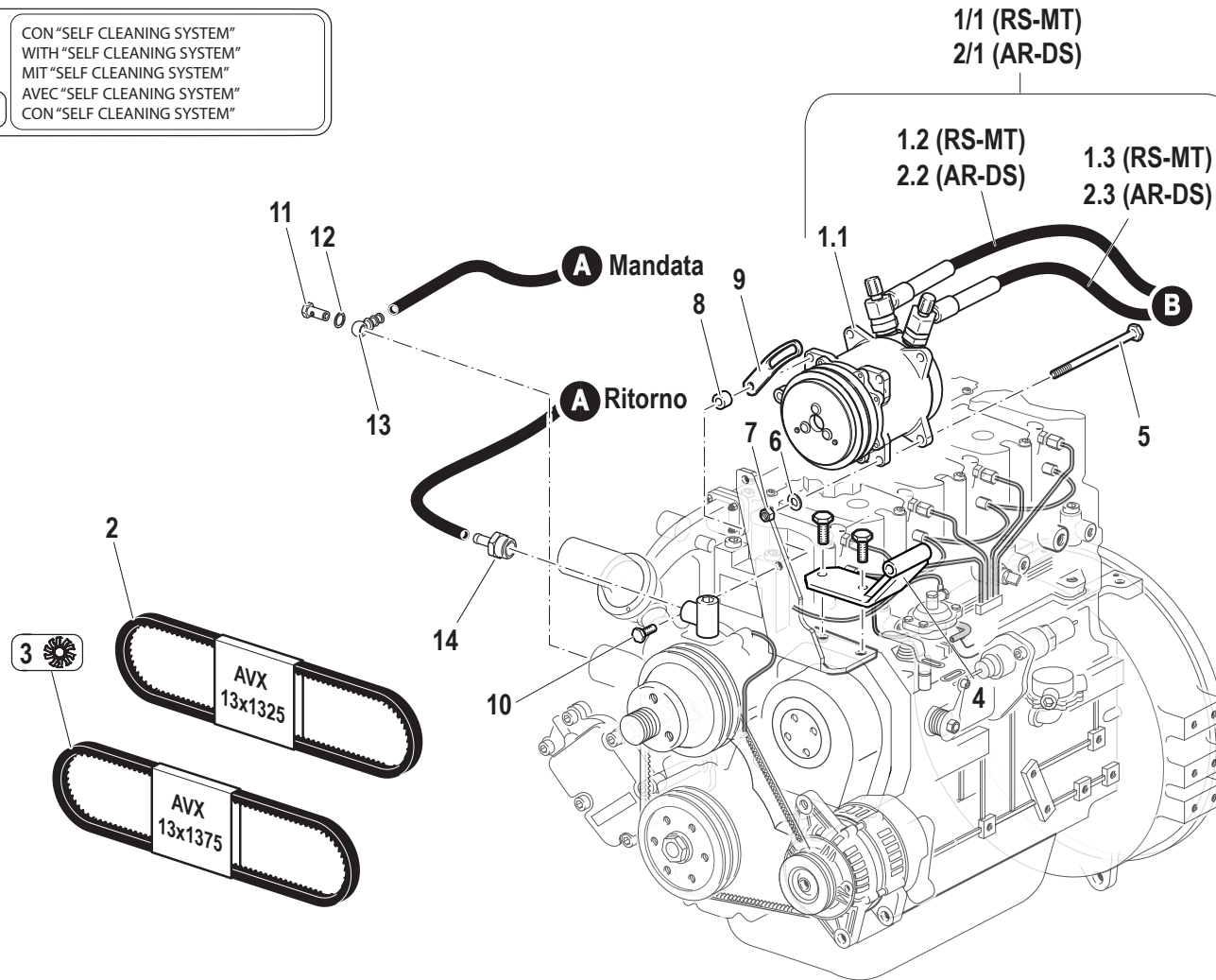
**IMPIANTO IDRAULICO STERZO**

Hp 75

CODE REV

**F.03.01.L60007\_0**

CON "SELF CLEANING SYSTEM"  
 WITH "SELF CLEANING SYSTEM"  
 MIT "SELF CLEANING SYSTEM"  
 AVEC "SELF CLEANING SYSTEM"  
 CON "SELF CLEANING SYSTEM"



Pos.	Code	Q.ty	Description	Notes
2	36220216	1	ENGINE BELT	
3	36220218	1	ENGINE BELT	
4	59076749	1	FIXING BRACKET	
5	31112223	1	SCREW TE M10X100 UNI 5737	
6	31411084	1	WASHER 8,4x17	
7	31241081	1	HEXAGON SELFLOCK NUT	
8	56177197	1	SPACER	
9	56177190	1	BRACKET	
10	F0862694000	1	SCREW M8X170 UNI 5737	
11	F0843109015	1	PIPE FITTING 16x1,5	
12	F0844030070	2	COPPER WASHER 16,0x22/1,5	
13	30000246	1	EYELET	
14	56177254	1	PIPE FITTING	
1.1	581A0174	1	GEAR COMPRESSOR	
1.2	59901331	1	TUBO G8 L=1780mm (708BCS.09)	
1.3	59901330	1	TUBO G10 L=870mm (710BCS.12)	
1/1	59277315	1	UNIT	
2.2	59901335	1	TUBO G8 L=1500mm (708BCS.11)	
2.3	59901334	1	TUBO G10 L=590mm (710BCS.14)	
2/2	59277388	1	UNIT	

SERIAL  
END

915999

COMPRESSORE ARIA CONDIZIONATA

CODE REV

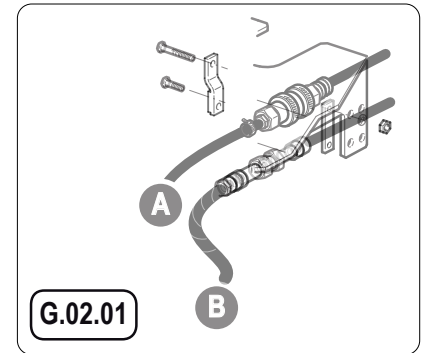
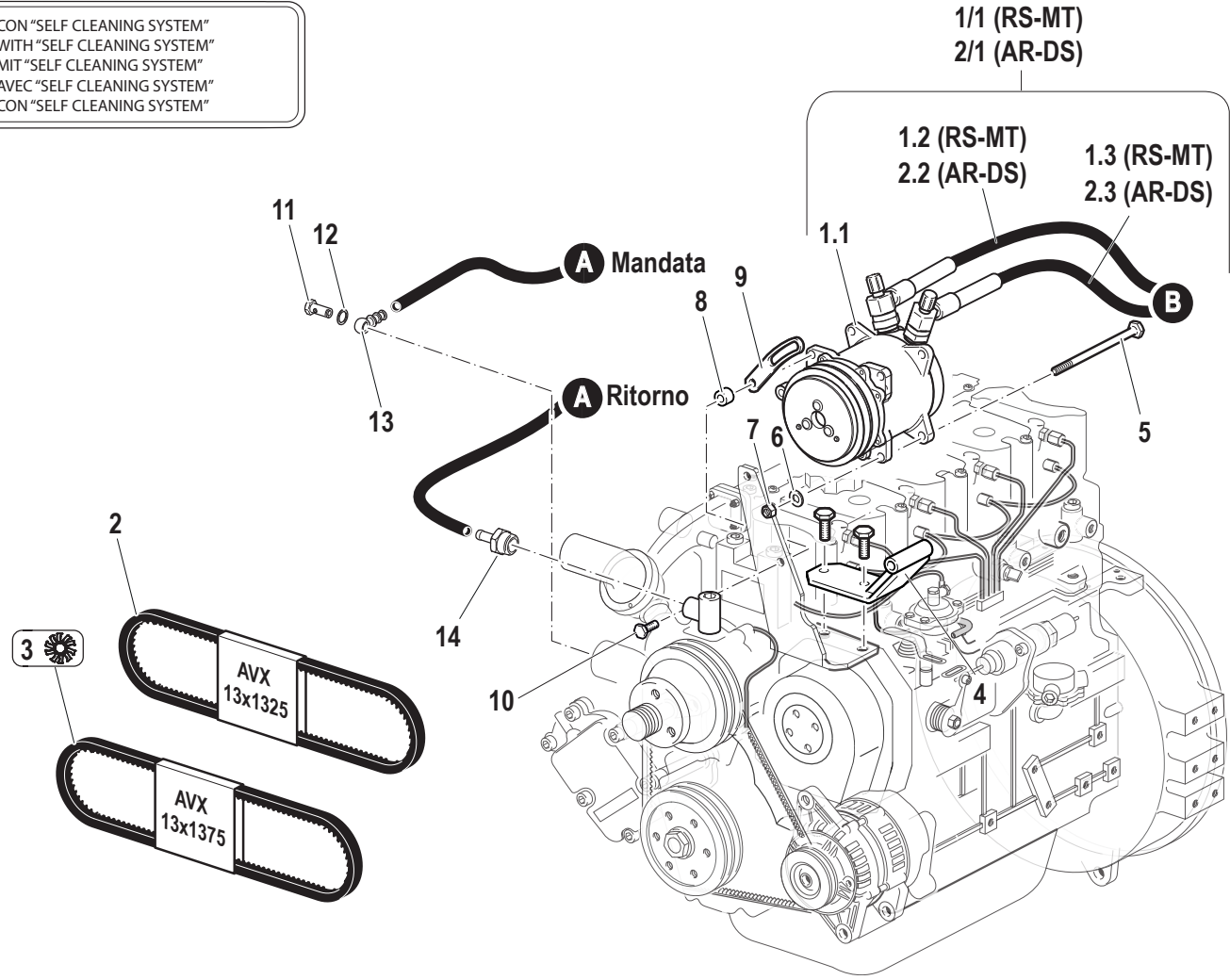
G.01.02.L60008\_0

# COMPRESSORE ARIA CONDIZIONATA

SERIAL START 916000 END 916490

G.01.02.L60008\_1

CON "SELF CLEANING SYSTEM"  
WITH "SELF CLEANING SYSTEM"  
MIT "SELF CLEANING SYSTEM"  
AVEC "SELF CLEANING SYSTEM"  
CON "SELF CLEANING SYSTEM"



Pos.	Code	Q.ty	Description	Notes
2	36220216	1	ENGINE BELT	
3	36220218	1	ENGINE BELT	
4	59076749	1	FIXING BRACKET	
5	31112174	1	SCREW TE M8X110 UNI 5737 8.8	
6	31411084	1	WASHER 8,4x17	
7	31241081	1	HEXAGON SELFLOCK NUT	
8	56177197	1	SPACER	
9	56177190	1	BRACKET	
11	F0843110010	1	THREADED TERMINAL END M18x1,5	63-08
12	F0824113000	2	COPPER WASHER 18X24/1,5	63-08
13	30000250	1	EYELET	63-08
14	56177254	1	PIPE FITTING	
1.1	581A0174	1	GEAR COMPRESSOR	
1.2	59901331	1	TUBO G8 L=1780mm (708BCS.09)	
1.3	59901330	1	TUBO G10 L=870mm (710BCS.12)	
1/1	59277315	1	UNIT	
2.2	59901335	1	TUBO G8 L=1500mm (708BCS.11)	
2.3	59901334	1	TUBO G10 L=590mm (710BCS.14)	
2/1	59277388	1	UNIT	

SERIAL  
START  
**916000**

END  
**916490**

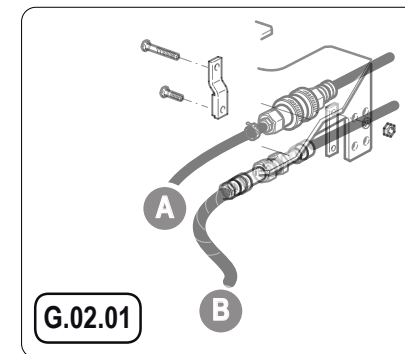
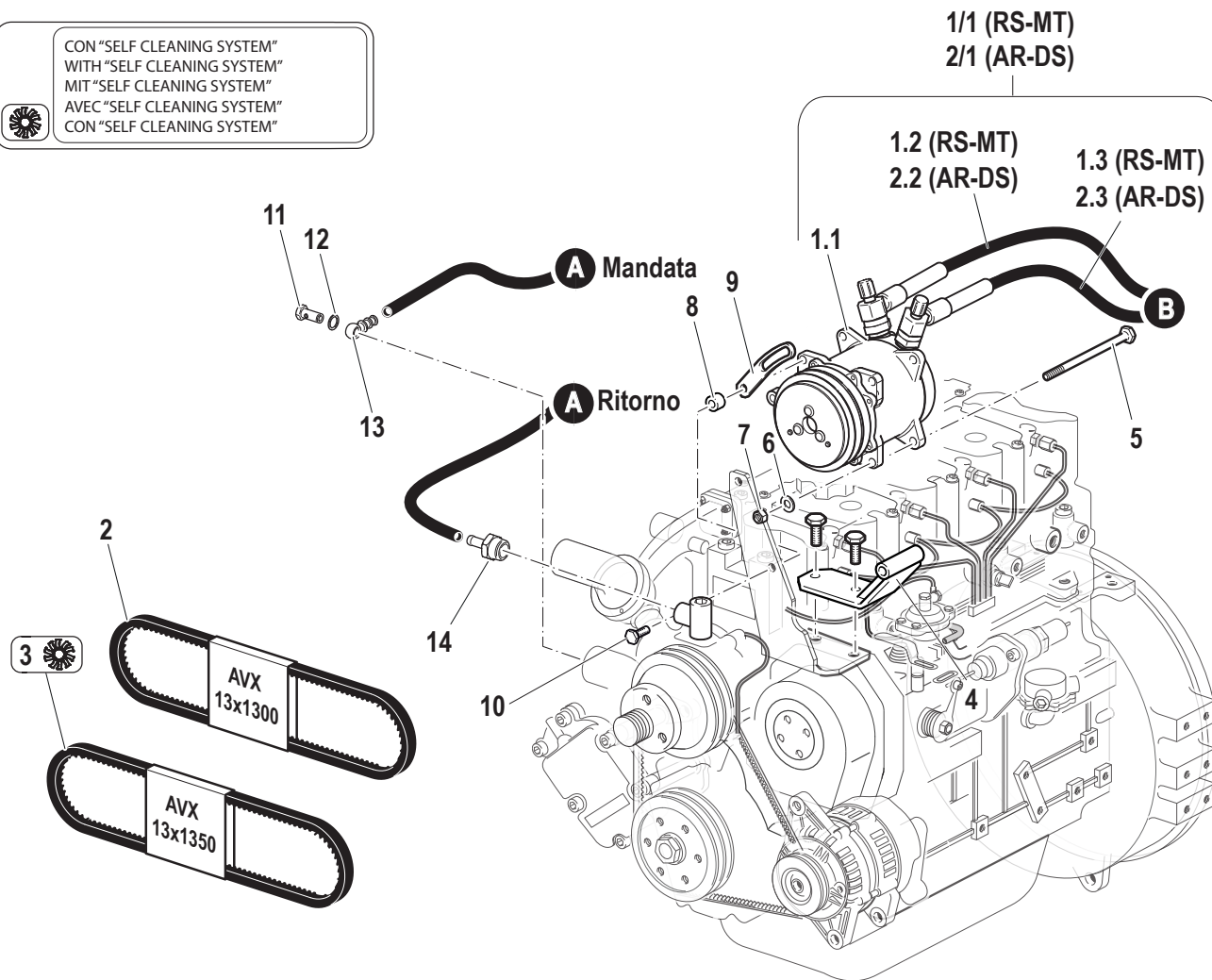
**COMPRESSORE ARIA CONDIZIONATA**

CODE REV

**G.01.02.L60008\_1**

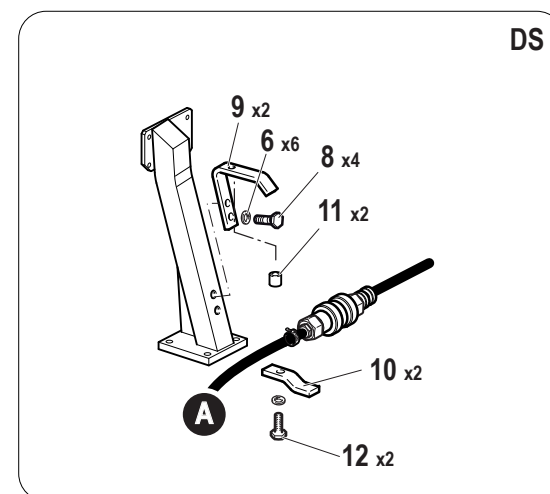
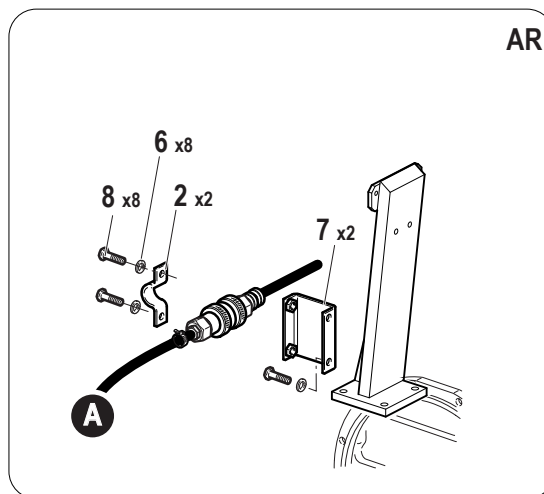
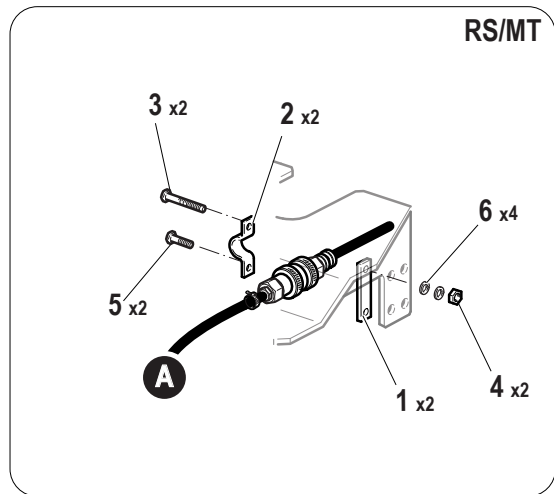


CON "SELF CLEANING SYSTEM"  
 WITH "SELF CLEANING SYSTEM"  
 MIT "SELF CLEANING SYSTEM"  
 AVEC "SELF CLEANING SYSTEM"  
 CON "SELF CLEANING SYSTEM"

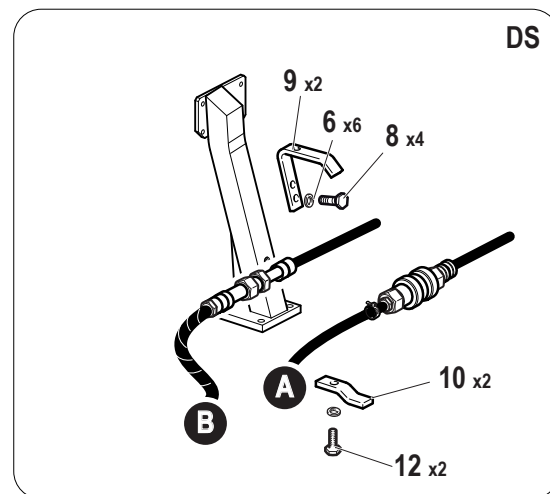
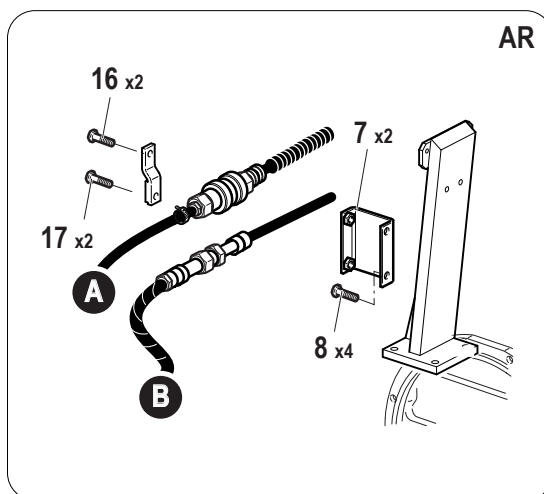
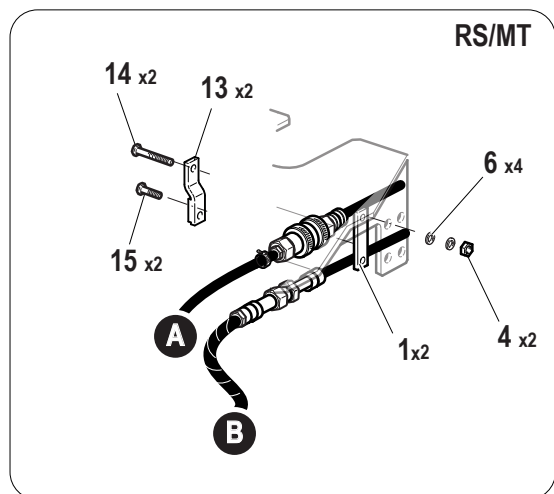


Pos.	Code	Q.ty	Description	Notes
2	36220215	1	ENGINE BELT	027-08
3	36220217	1	ENGINE BELT	027-08
4	59076749	1	FIXING BRACKET	
5	31112174	1	SCREW TE M8X110 UNI 5737 8.8	
6	31411084	1	WASHER 8,4x17	
7	31241081	1	HEXAGON SELFLOCK NUT	
8	56177197	1	SPACER	
9	56177190	1	BRACKET	
10	F0862694000	1	SCREW M8X170 UNI 5737	
11	F0843110010	1	THREADED TERMINAL END M18x1,5	
12	F0824113000	2	COPPER WASHER 18X24/1,5	
13	30000250	1	EYELET	
14	56177254	1	PIPE FITTING	
1.1	581A0174	1	GEAR COMPRESSOR	
1.2	59901331	1	TUBO G8 L=1780mm (708BCS.09)	
1.3	59901330	1	TUBO G10 L=870mm (710BCS.12)	
1/1	59277315	1	UNIT	
2.2	59901335	1	TUBO G8 L=1500mm (708BCS.11)	
2.3	59901334	1	TUBO G10 L=590mm (710BCS.14)	
2/1	59277388	1	UNIT	

## RISCALDAMENTO



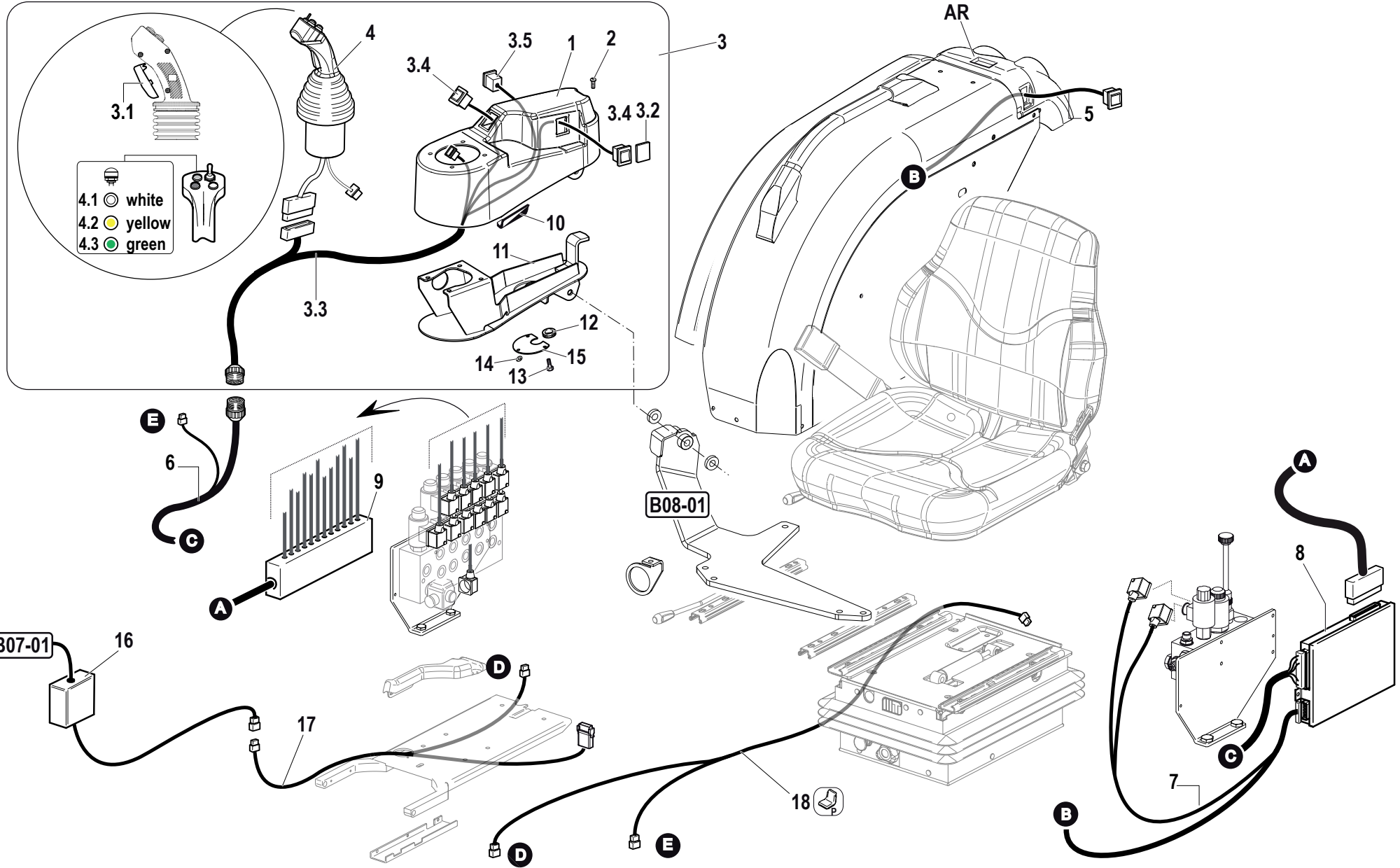
## RISCALDAMENTO/AC



Pos.	Code	Q.ty	Description	Notes
1	56077367	2	PLATE	
2	56077372	2	FIXING BRACKET	
3	31112153	2	SCREW TE M8X35 UNI 5739 8G	
4	31211080	2	NUT M8	
5	31112150	2	SCREW TE M8X20 UNI 5739 8G	
6	F0843643060	18	WASHER 8	
7	59077371	2	SUPPORTING YOKE	
8	31112147	12	SCREW TE M8X18 UNI 5739 8G	
9	56077929	2	FIXING BRACKET	
10	56077928	2	FIXING PLATE	
11	56171996	2	SPACER	
12	F0862694000	2	SCREW M8X170 UNI 5737	
13	59077368	2	FIXING BRACKET	
14	31112156	2	SCREW TE M8X60 UNI 5739 8G	
15	31112154	2	SCREW TE M8X40 UNI 5739 8G	
16	31112155	1	SCREW	
17	31112153	1	SCREW TE M8X35 UNI 5739 8G	

# JOYSTICK

SERIAL END 912796



J.01.01.L60007\_0

Pos.	Code	Q.ty	Description	Notes
1	57377440	1	JOYSTICK ARMREST	
2	31121006	1	SCREW TBCEI M6X16 ISO 7380	
3	59277762	1	JOYSTICK ARMREST	
4	59900879	1	JOYSTICK	
5	58177769	1	SWITCH	
6	58177768	1	WIRING	
7	59900880	1	WIRING	
8	58177767	1	SWITCHING DEVICE	
9	58177770	1	WIRING	
10	P000000260007	1	GASKET	
11	59077441	1	FASTENER	
12	58171901	1	CABLE GLAND 15,5-24-32-2	
13	31112049	3	SCREW	
14	F0843522010	3	WASHER 4	
15	56177442	1	COVER	
16	581A0689	1	CONTROL ELECTRONIC CARD	
17	58077963	1	CABLE	
18	58077659	1	CABLE	
3.1	59906022	1	KIT UOMO PRESENTE (KPUPC-T)	
3.2	58177763	1	HOLECOVER	
3.3	59900881	1	WIRING	
3.4	58177764	2	CHANGE-OVER SWITCH	
3.5	59900884	1	SWITCH	
4.1	59906003	1	PUSH-BUTTON	
4.2	59906000	1	PUSH-BUTTON	
4.3	59906002	1	PUSH-BUTTON	
4.4	59906023	1	INTERRUT. MOT. IDR. (KIC-T)	

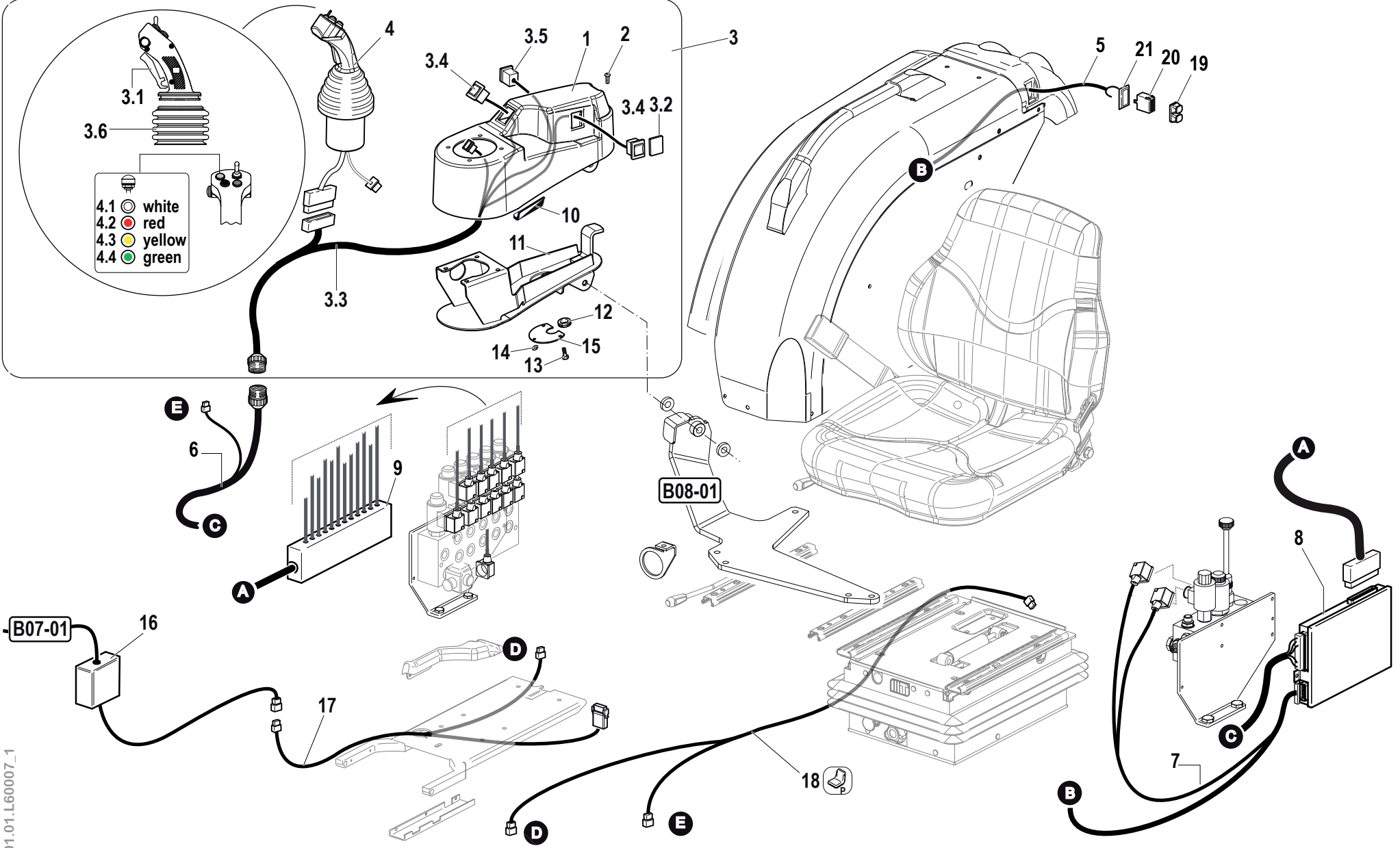
SERIAL  
END  
**912796**

**JOYSTICK**  
Hp 75

CODE REV  
**J.01.01.L60007\_0**

# JOYSTICK

SERIAL START 912797 END 916257



J.01.01.L60007\_1

Pos.	Code	Q.ty	Description	Notes
1	57377440	1	JOYSTICK ARMREST	
2	31121006	1	SCREW TBCEI M6X16 ISO 7380	
3	59278875	1	SMALL ARM	102-06
4	59906008	1	JOYSTICK CABLE	
5	58179248	1	BRIDLE	
6	58178877	1	WIRING	102-06
7	58178879	1	SWITCH	102-06
8	58178876	1	SWITCHING DEVICE	102-06
9	58178880	1	WIRING	102-06
10	P000000260007	1	GASKET	
11	59078833	1	FASTENER	102-06
12	58171901	1	CABLE GLAND 15,5-24-32-2	
13	31112049	3	SCREW	
14	F0843522010	3	WASHER 4	
15	56177442	1	COVER	
16	581A0689	1	CONTROL ELECTRONIC CARD	
17	58077963	1	CABLE	
18	58077659	1	CABLE	
19	58179302	1	SWITCH	
20	58179303	1	TERMINAL	
21	58179304	1	SMALL BLOCK	
3.1	59906009	1	KIT	
3.2	58177763	1	HOLECOVER	
3.3	59900881	1	WIRING	
3.4	58177764	2	CHANGE-OVER SWITCH	
3.5	59900884	1	SWITCH	
3.6	59906010	1	SOFFIETTO (SJ-IPC)	
4.1	59906011	1	PUSH-BUTTON	
4.2	59906013	1	PUSH-BUTTON	
4.3	59906012	1	PUSH-BUTTON	
4.4	59906014	1	PUSH-BUTTON	
4.5	59906006	1	SWITCH	

SERIAL  
START  
**912797**

END  
**916257**

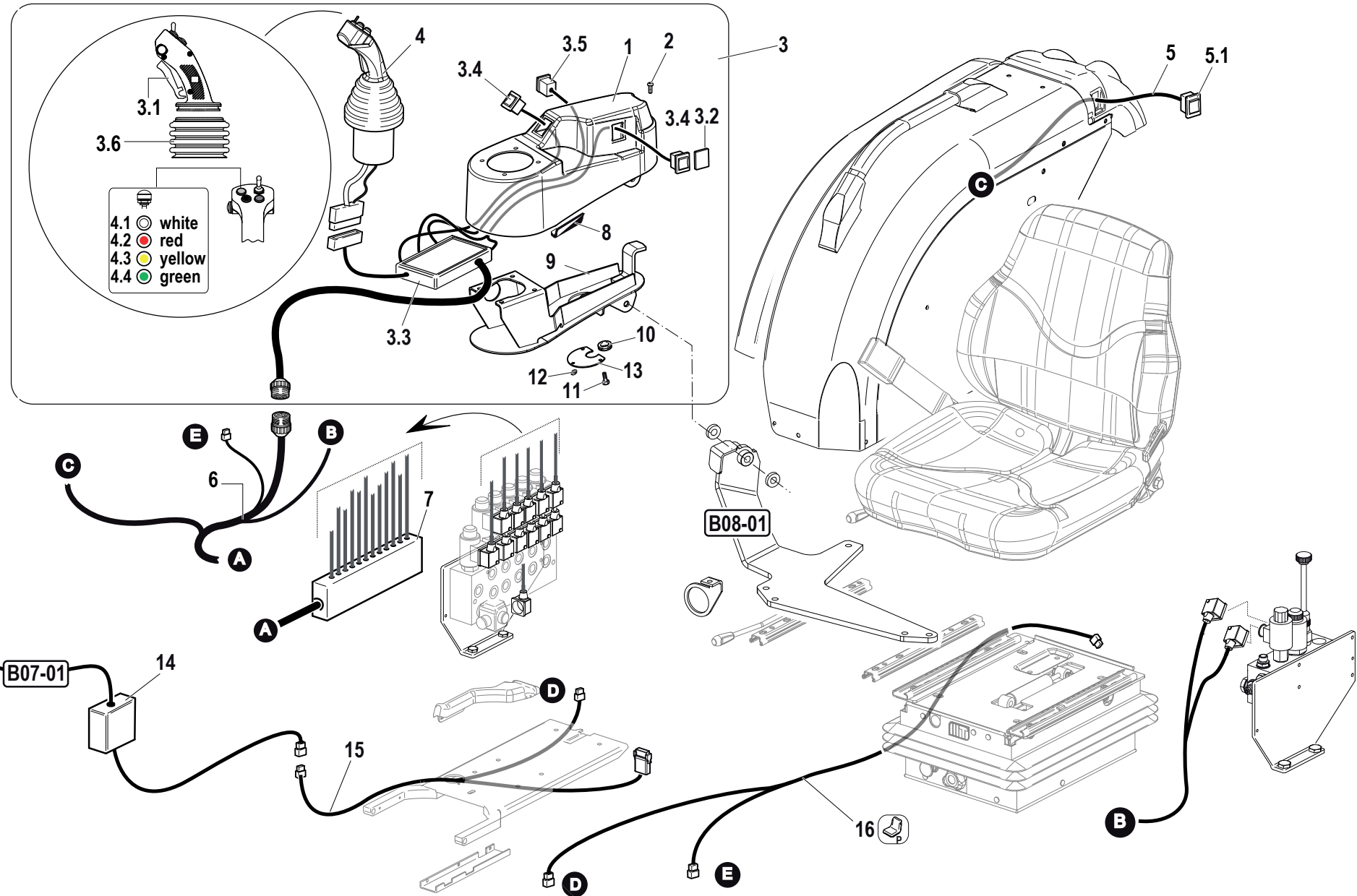
**JOYSTICK**  
Hp 75

CODE REV  
**J.01.01.L60007\_1**



# JOYSTICK

SERIAL START 916258 END 920541



J.01.01.L60007\_2

Pos.	Code	Q.ty	Description	Notes
1	57377440	1	JOYSTICK ARMREST	
2	31121006	1	SCREW TBCEI M6X16 ISO 7380	
3	59279906	1	JOYSTICK ARMREST	52-08
4	59906025	1	JOYSTICK CABLE	
5	58179508	1	CABLE	52-08
6	58179904	1	WIRING	52-08
7	58179905	1	WIRING	52-08
8	P000000260007	1	GASKET	
9	59078833	1	FASTENER	
10	58171901	1	CABLE GLAND 15,5-24-32-2	
11	31112049	3	SCREW	
12	F0843522010	3	WASHER 4	
13	56177442	1	COVER	
14	581A0689	1	CONTROL ELECTRONIC CARD	
15	58077963	1	CABLE	
16	58077659	1	CABLE	
3.1	59906009	1	KIT	
3.2	58177763	1	HOLECOVER	
3.3	59906027	1	CENTRAL PROCESSING UNIT	52-08
3.4	58177764	2	CHANGE-OVER SWITCH	
3.5	59900884	1	SWITCH	
3.6	59906010	1	SOFFIETTO (SJ-IPC)	
4.1	59906011	1	PUSH-BUTTON	
4.2	59906013	1	PUSH-BUTTON	
4.3	59906012	1	PUSH-BUTTON	
4.4	59906014	1	PUSH-BUTTON	
4.5	59906006	1	SWITCH	
5.1	58179337	1	CHANGE-OVER SWITCH	

SERIAL  
START  
**916258**

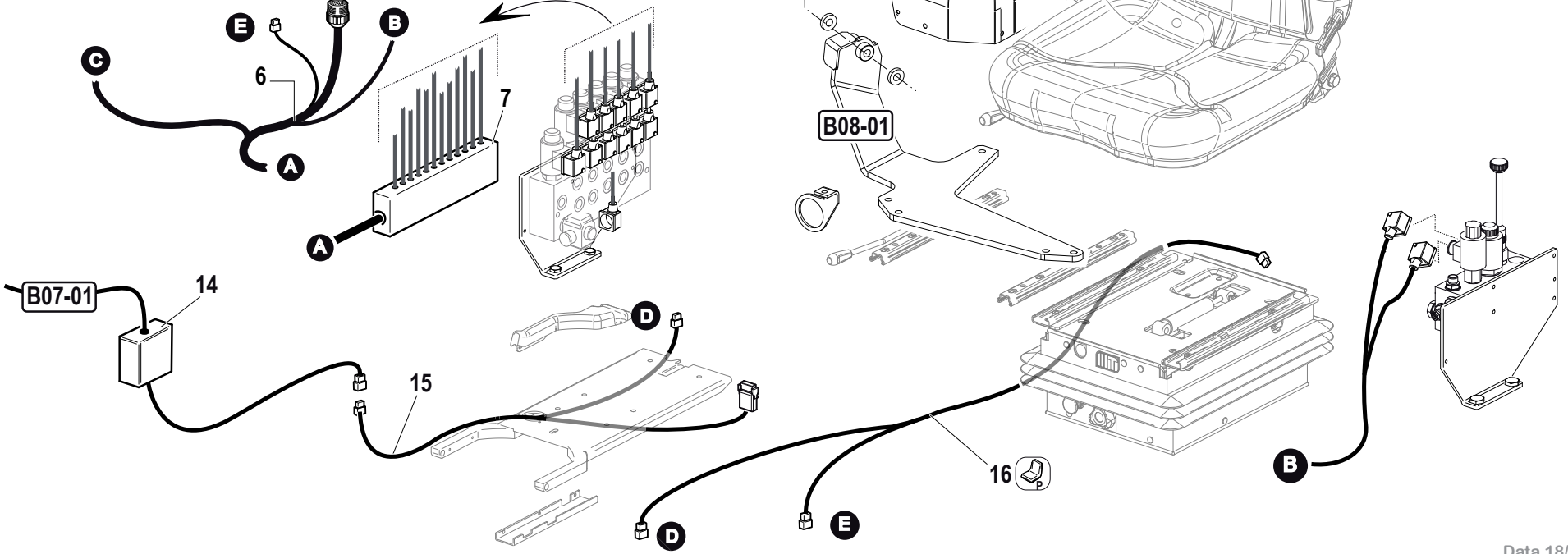
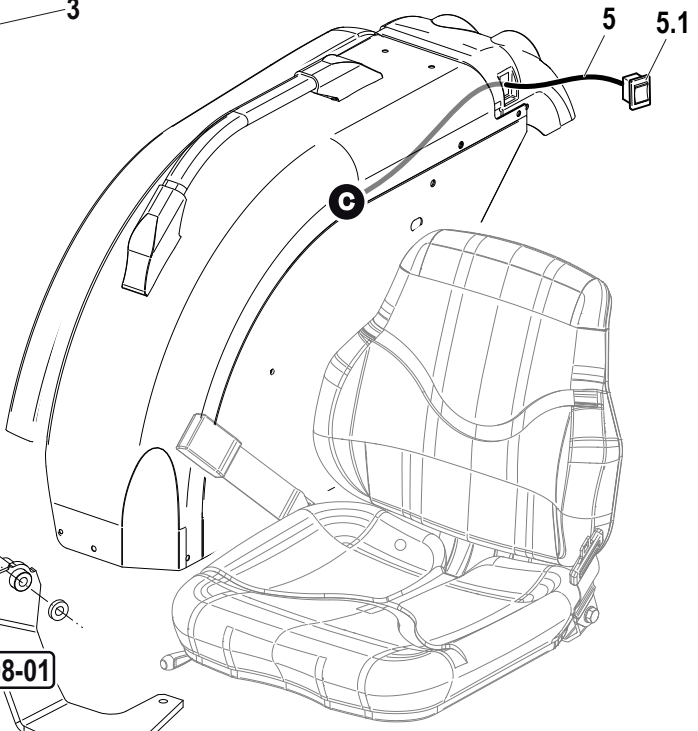
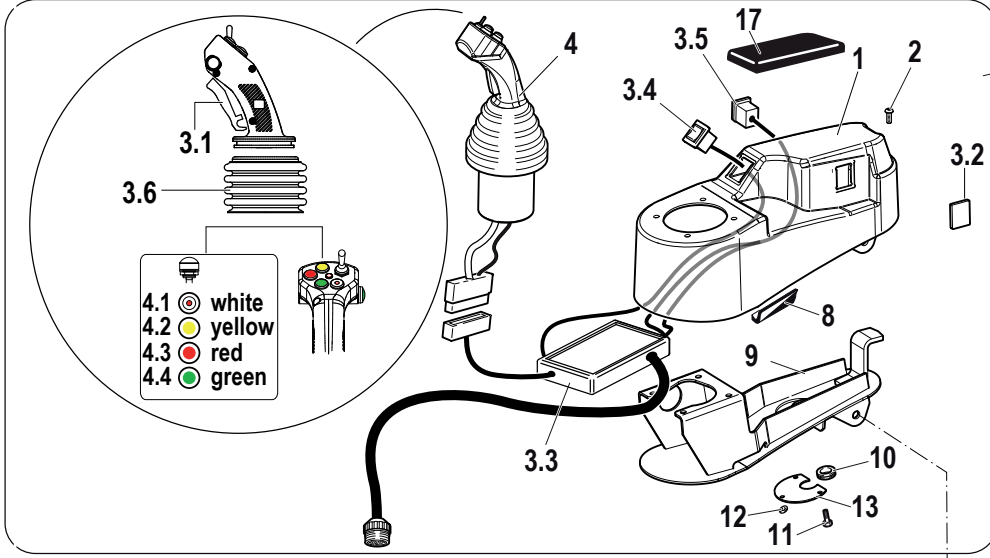
END  
**920541**

**JOYSTICK**  
Hp 75

CODE REV  
**J.01.01.L60007\_2**

# JOYSTICK

SERIAL START 920542



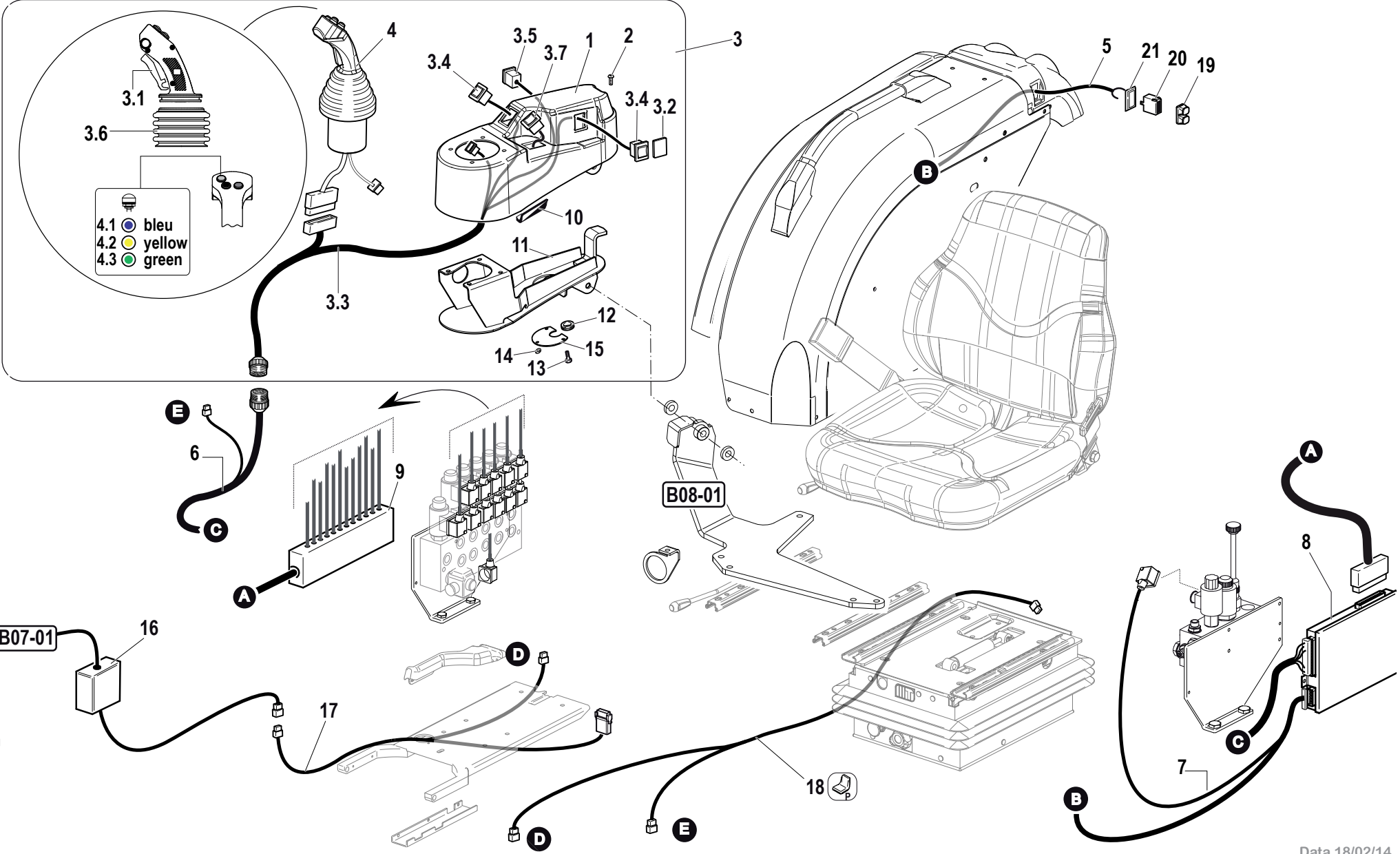
J.01.01.L60007\_3

Pos.	Code	Q.ty	Description	Notes
1	57377440	1	JOYSTICK ARMREST	
2	31121006	1	SCREW TBCEI M6X16 ISO 7380	
3	592A1041	1	JOYSTICK ARMREST	207-09
4	59906035	1	JOYSTICK CABLATO TS590BCS_0110	207-09
5	58179508	1	CABLE	
6	58179904	1	WIRING	
7	58179905	1	WIRING	
8	P000000260007	1	GASKET	
9	59078833	1	FASTENER	
10	58171901	1	CABLE GLAND 15,5-24-32-2	
11	31112049	3	SCREW	
12	F0843522010	3	WASHER 4	
13	56177442	1	COVER	
14	581A0689	1	CONTROL ELECTRONIC CARD	
15	58077963	1	CABLE	
16	58077659	1	CABLE	
17	59906042	1	CUSCINO POGGIA BRACCIO (CPBCS)	
3.1	59906009	1	KIT	
3.2	58177763	1	HOLECOVER	
3.3	59906038	1	CENTRALINA ELETT. (SARO 13.1)	207-09
3.4	58177764	1	CHANGE-OVER SWITCH	
3.5	59900884	1	SWITCH	
3.6	59906010	1	SOFFIETTO (SJ-IPC)	
4.1	59906037	1	PULS.COMPL.BIANCO PC-I BLED	
4.2	59906012	1	PUSH-BUTTON	
4.3	59906013	1	PUSH-BUTTON	
4.4	59906014	1	PUSH-BUTTON	
4.5	59906036	1	KIT INTERRUETTORE (KIC-I-1-0-1)	
5.1	58179337	1	CHANGE-OVER SWITCH	

SERIAL  
START  
**920542**

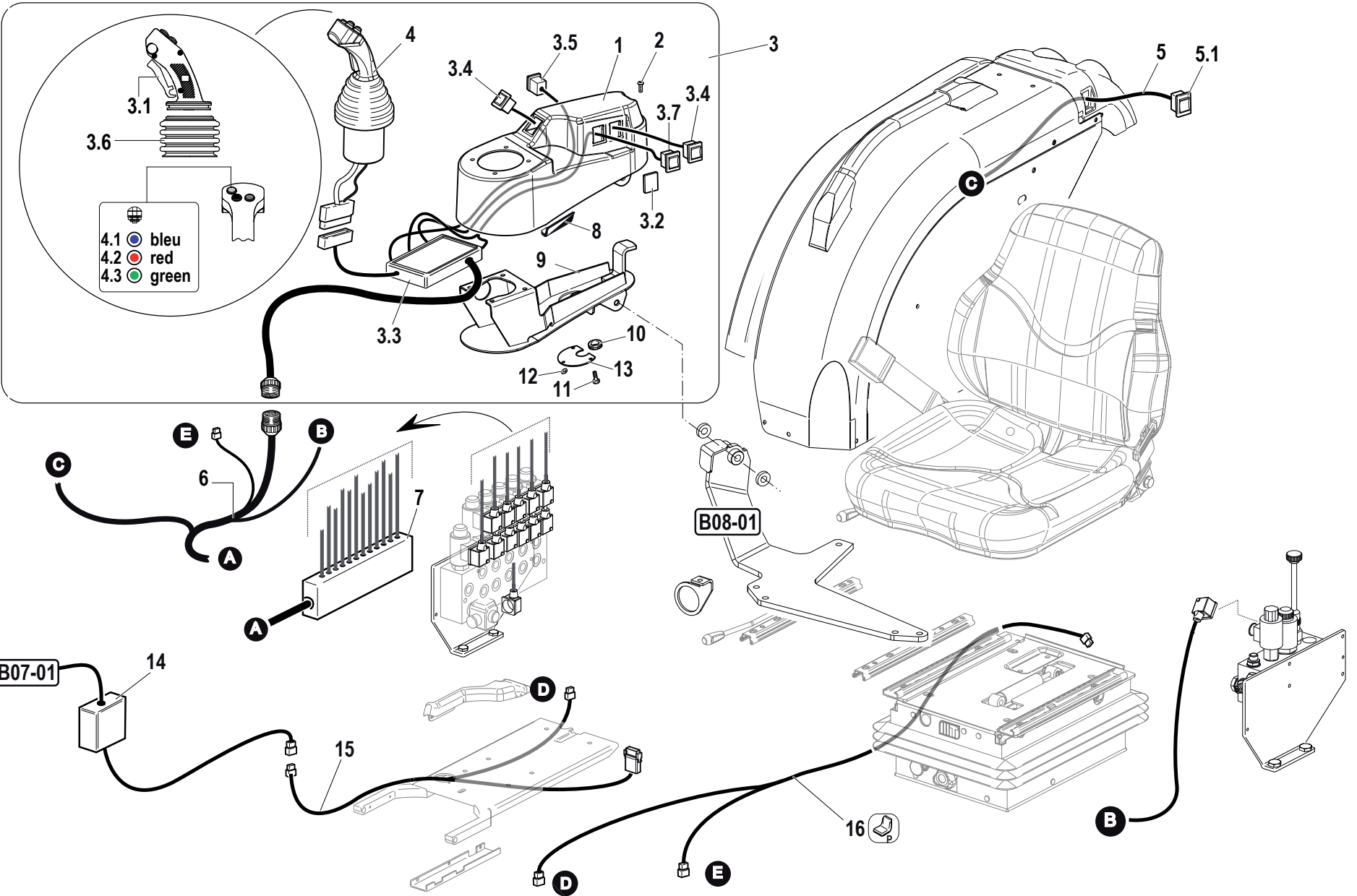
**JOYSTICK**  
Hp 75

CODE REV  
**J.01.01.L60007\_3**



J.01.02.L60007\_0

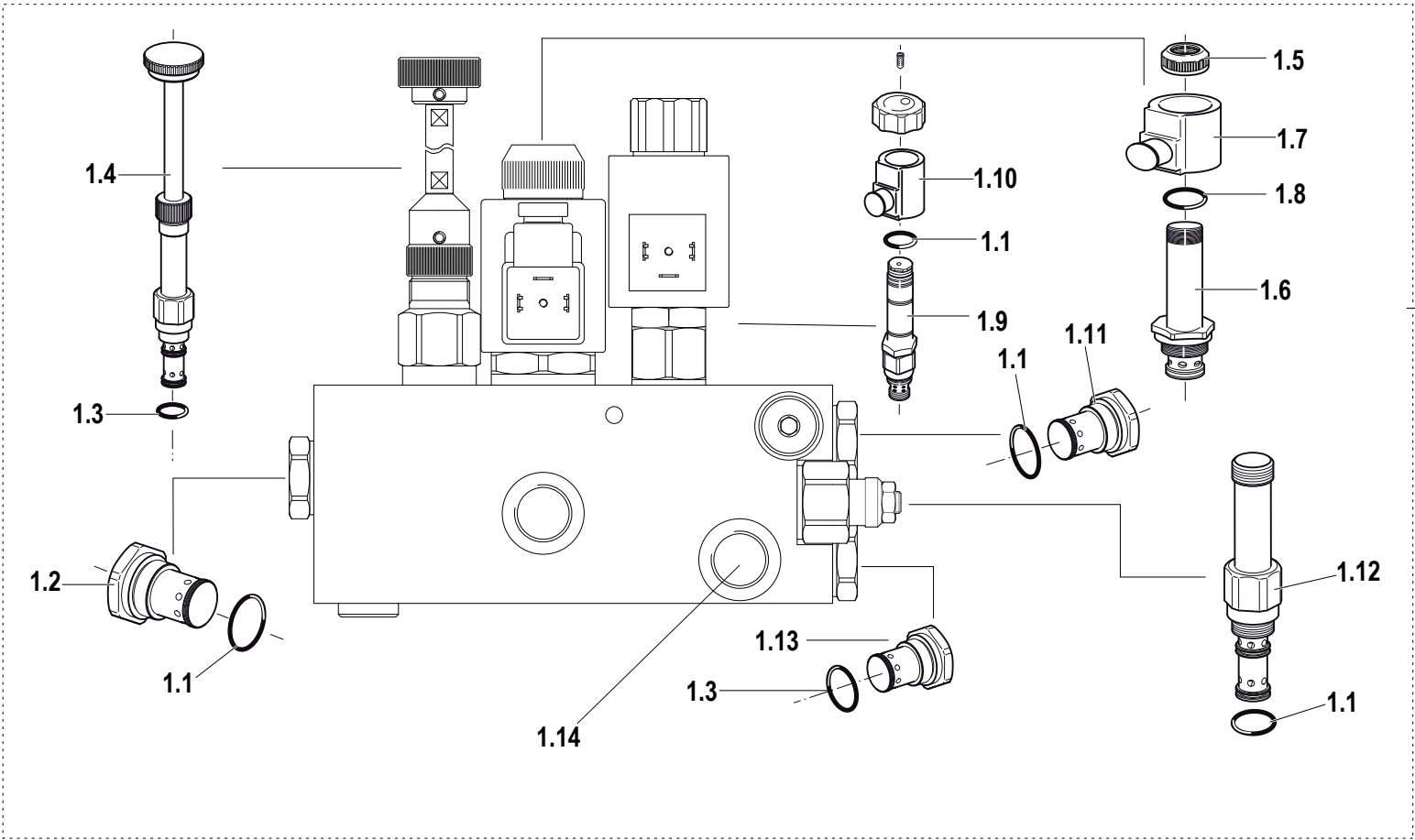
Pos.	Code	Q.ty	Description	Notes
1	57379251	1	JOYSTICK ARMREST	061-08
2	31121006	1	SCREW TBCEI M6X16 ISO 7380	
3	59279244	1	JOYSTICK ARMREST	
4	59906016	1	JOYSTICK	061-08
5	58179249	1	BRIDLE	
6	58178877	1	WIRING	061-08
7	58179250	1	WIRING	061-08
8	58179247	1	SWITCHING DEVICE	061-08
9	58179258	1	WIRING	061-08
10	P000000260007	1	GASKET	
11	59078833	1	FASTENER	
12	58171901	1	CABLE GLAND 15,5-24-32-2	
13	31112049	3	SCREW	
14	F0843522010	3	WASHER 4	
15	56177442	1	COVER	
16	581A0689	1	CONTROL ELECTRONIC CARD	
17	58077963	1	CABLE	
18	58077659	1	CABLE	
19	58179302	1	SWITCH	
20	58179303	1	TERMINAL	
21	58179304	1	SMALL BLOCK	
3.1	59906009	1	KIT	
3.2	58177763	1	HOLECOVER	
3.3	59906017	1	CABLAGGIO CONSOLLE (XSD0001)	
3.4	58177764	2	CHANGE-OVER SWITCH	
3.5	59900884	1	SWITCH	
3.6	59906010	1	SOFFIETTO (SJ-IPC)	
3.7	59906018	1	FLASHER	
4.1	59906015	1	PUSH-BUTTON	
4.2	59906012	1	PUSH-BUTTON	
4.3	59906014	1	PUSH-BUTTON	



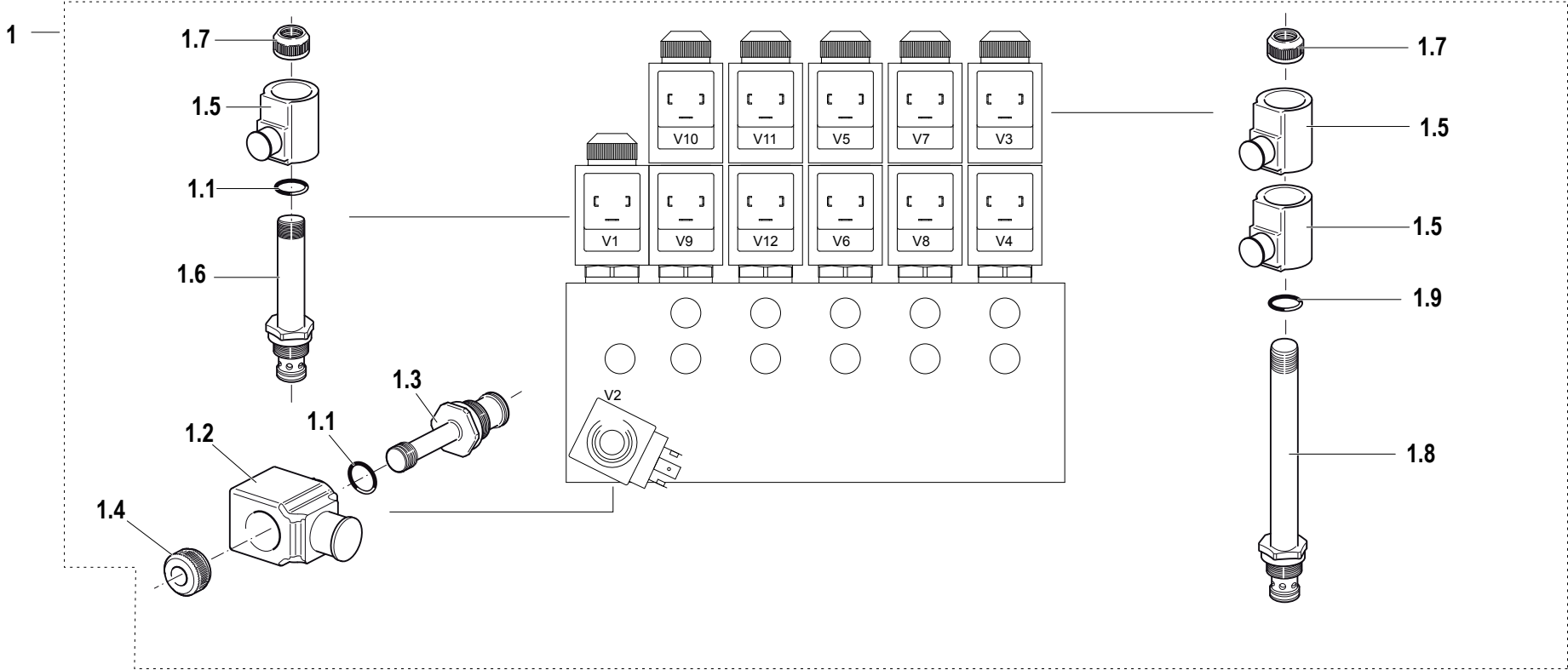
J.01.02.L60007\_1

Pos.	Code	Q.ty	Description	Notes
1	57377440	1	JOYSTICK ARMREST	
2	31121006	1	SCREW TBCEI M6X16 ISO 7380	
3	59279938	1	JOYSTICK ARMREST	
4	59906026	1	JOYSTICK	
5	58179508	1	CABLE	
6	58179939	1	WIRING	
7	58179940	1	WIRING	
8	P000000260007	1	GASKET	
9	59078833	1	FASTENER	
10	58171901	1	CABLE GLAND 15,5-24-32-2	
11	31112049	3	SCREW	
12	F0843522010	3	WASHER 4	
13	56177442	1	COVER	
14	581A0689	1	CONTROL ELECTRONIC CARD	
15	58077963	1	CABLE	
16	58077659	1	CABLE	
3.1	59906009	1	KIT	
3.2	58177763	1	HOLECOVER	
3.3	59906028	1	CENTRAL PROCESSING UNIT	
3.4	58177764	2	CHANGE-OVER SWITCH	
3.5	59900884	1	SWITCH	
3.6	59906010	1	SOFFIETTO (SJ-IPC)	
3.7	59906018	1	FLASHER	
4.1	59906015	1	PUSH-BUTTON	
4.2	59906013	1	PUSH-BUTTON	
4.3	59906014	1	PUSH-BUTTON	

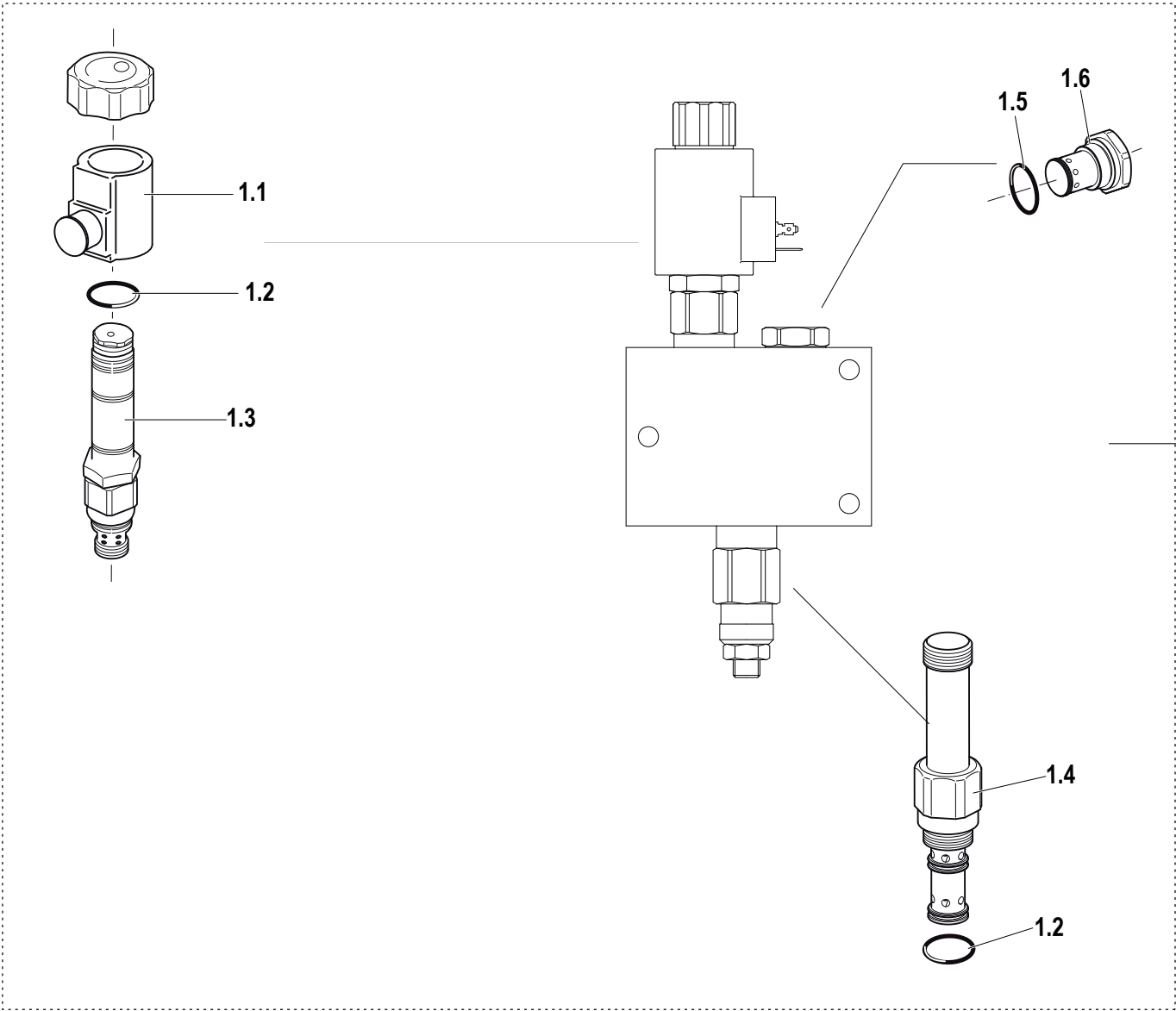




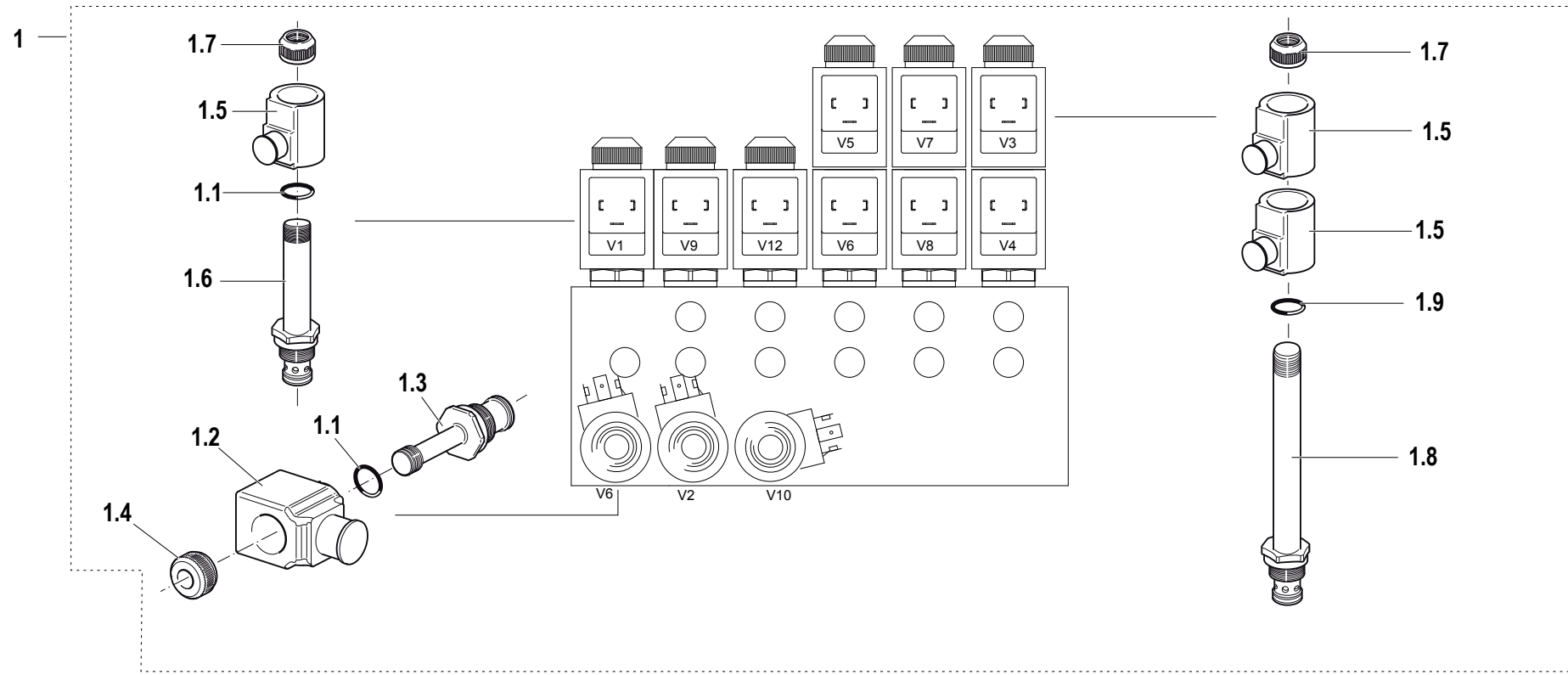
Pos.	Code	Q.ty	Description	Notes
1	58177765	1	LOCKING MECHANISM	
1.1	59900863	6	GASKET SET	
1.2	59900868	1	VALVE	
1.3	59900870	2	GASKET SET	
1.4	59900869	1	VALVE	
1.5	59906029	1	RING NUT	
1.6	59900871	1	ELECTRO VALVE	
1.7	59900872	1	COIL	
1.8	59900873	1	GASKET SET	
1.9	59900874	1	ELECTRO VALVE	
1.10	59900875	1	COIL	
1.11	59900877	1	VALVE	
1.12	59900878	1	VALVE	
1.13	59900876	1	VALVE	
1.14	59906043	1	GRANO AUTOPULENTE	



Pos.	Code	Q.ty	Description	Notes
1	58177766	1	LOCKING MECHANISM	
1.1	59900863	6	GASKET SET	
1.2	59906024	1	COIL	
1.3	59900864	1	ELECTRO VALVE	
1.4	59906031	1	RING NUT	
1.5	59900862	2	COIL	
1.6	59900861	1	ELECTRO VALVE	
1.7	59906030	2	RING NUT	
1.8	59900866	1	ELECTRO VALVE	
1.9	59900867	1	GASKET SET	



<b>Pos.</b>	<b>Code</b>	<b>Q.ty</b>	<b>Description</b>	<b>Notes</b>
1	58179245	6	SMALL BLOCK	
1.1	59900867	1	GASKET SET	
1.2	59900863	2	GASKET SET	
1.3	59900875	1	COIL	
1.4	59900878	1	VALVE	
1.5	59900870	1	GASKET SET	
1.6	59906019	1	VALVOLA LOGICA (36011122)	



Pos.	Code	Q.ty	Description	Notes
1	58179246	1	SMALL BLOCK	
1.1	59900863	6	GASKET SET	
1.2	59906007	1	COR.VALV.SEMP.EF.SC.(35011239)	
1.3	59900864	1	ELECTRO VALVE	
1.4	59906031	1	RING NUT	
1.5	59900862	2	COIL	
1.6	59900861	1	ELECTRO VALVE	
1.7	59906030	2	RING NUT	
1.8	59900866	1	ELECTRO VALVE	
1.9	59900867	1	GASKET SET	



Pos.	Code	Q.ty	Description	Notes
14	31112082	2	SCREW TE M6X12 UNI 5739 8G	
9	31112149	2	SCREW TE M8X12 UNI 5739 8G	
25	31112150	2	SCREW TE M8X20 UNI 5739 8G	
3	31112211	5	SCREW TE M10X30 UNI 5739	
2	31112219	1	SCREW TE M10X25 UNI 5739	
1	51175941	1	SUPPORT	
33	51376275	1	THREE-POINT LINKAGE	
13	52071702	1	CLAMPING PLATE	
27	56170283	2	BRACKET	
29	56170285	2	SPACER	
8	56173638	1	GUARD	
28	56175859	2	SPACER	
22	56370282	4	SHIM	
17	56370288	2	SHIM	
30	56374574	1	CONNECTING BOLT	
24	56375860	2	HINGE PIN	
15	56376260	1	SHAFT	
5	56570016	2	CYLINDRICAL PLUG	
7	58075603	1	PLUG	
16	58170291	2	BUSHING	
21,2	58171536	1	BUSHINGS KIT	
21,1	58171537	1	GASKET SET	
21	58177783	2	CYLINDER	
11	58179483	1	OIL LEVEL ROD	
18	59070289	1	LIFTING ARM	
19	59070290	1	RIGHT ARM	
32	59078588	1	CONNECTING BOLT	
12	59079485	1	PIPE	
23	F0801241010	2	SEEGER RING	
20	F0801331050	2	SEEGER RING	
6	F0826056000	2	LUBRICATOR M10 UNI 7663A	
10	F0843643060	4	WASHER 8	
31	F0851486000	1	SPLIT PIN	
26	F0863359000	3	SCREW M10X40 UNI 5737	

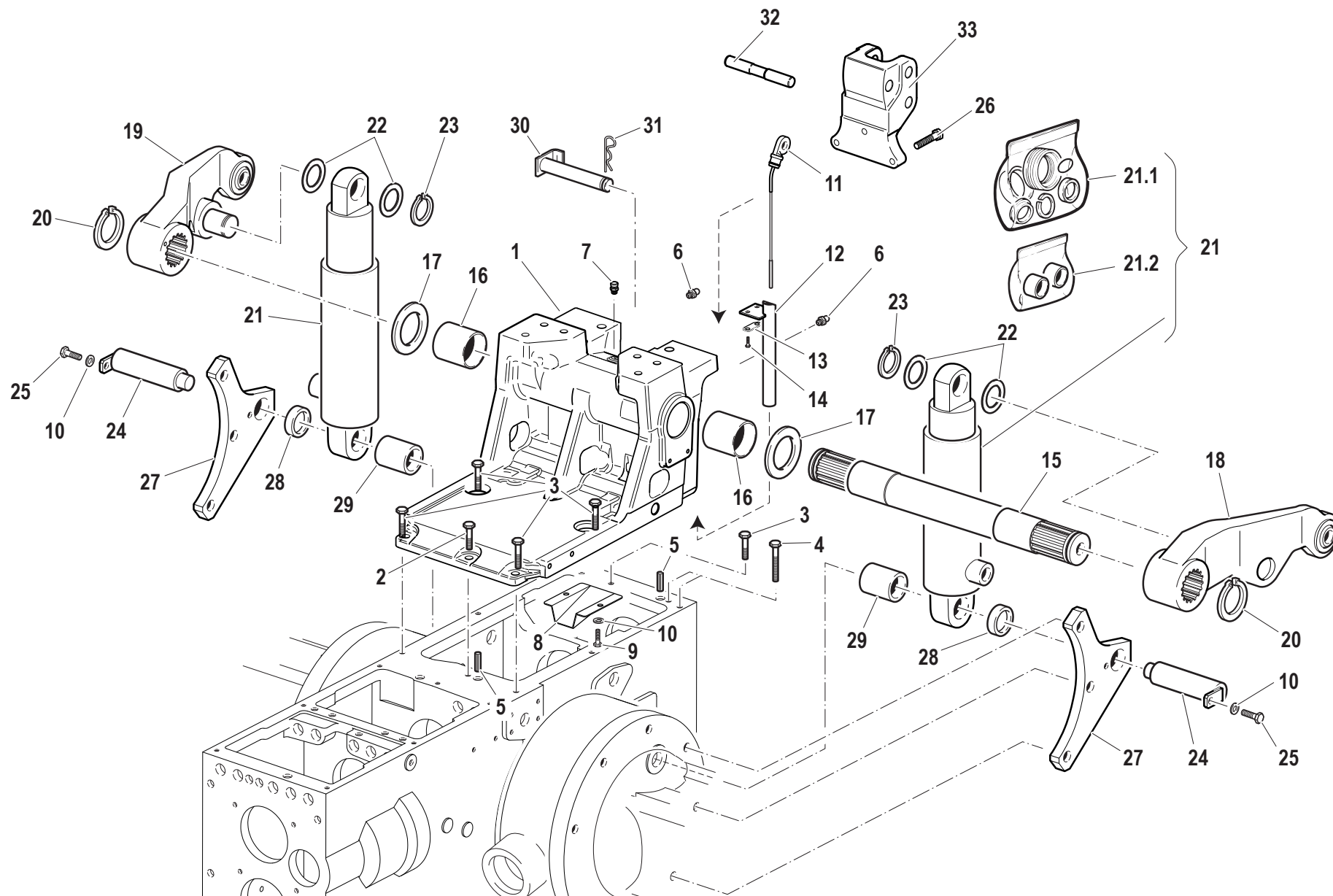
SERIAL

**RAISE/LOWER LIFT**

CODE REV

**L.01.01.L60002\_0**

Pos.	Code	Q.ty	Description	Notes
4	F0863429000	4	SCREW M10X45 UNI 5737	



Pos.	Code	Q.ty	Description	Notes
1	51175941	1	SUPPORT	
2	31112219	1	SCREW TE M10X25 UNI 5739	
3	31112211	5	SCREW TE M10X30 UNI 5739	
4	F0863429000	4	SCREW M10X45 UNI 5737	
5	56570016	2	CYLINDRICAL PLUG	
6	F0826056000	2	LUBRICATOR M10 UNI 7663A	
7	58075603	1	PLUG	
8	56173638	1	GUARD	
9	31112149	2	SCREW TE M8X12 UNI 5739 8G	
10	F0843643060	4	WASHER 8	
11	58179483	1	OIL LEVEL ROD	
12	59079485	1	PIPE	
13	52071702	1	CLAMPING PLATE	
14	31112082	2	SCREW TE M6X12 UNI 5739 8G	
15	56376260	1	SHAFT	
16	58170291	2	BUSHING	
17	56370288	2	SHIM	
18	59070289	1	LIFTING ARM	
19	59070290	1	RIGHT ARM	
20	F0801331050	2	SEEGER RING	
21	58170245	2	LIFTING CYLINDER	
22	56370282	4	SHIM	
23	F0801241010	2	SEEGER RING	
24	56375860	2	HINGE PIN	
25	31112150	2	SCREW TE M8X20 UNI 5739 8G	
26	F0863359000	3	SCREW M10X40 UNI 5737	
27	56170283	2	BRACKET	
28	56175859	2	SPACER	
29	56170285	2	SPACER	
30	56374574	1	CONNECTING BOLT	
31	F0851486000	1	SPLIT PIN	
32	59078588	1	CONNECTING BOLT	
33	51376275	1	THREE-POINT LINKAGE	
21.1	58171537	1	GASKET SET	

SERIAL

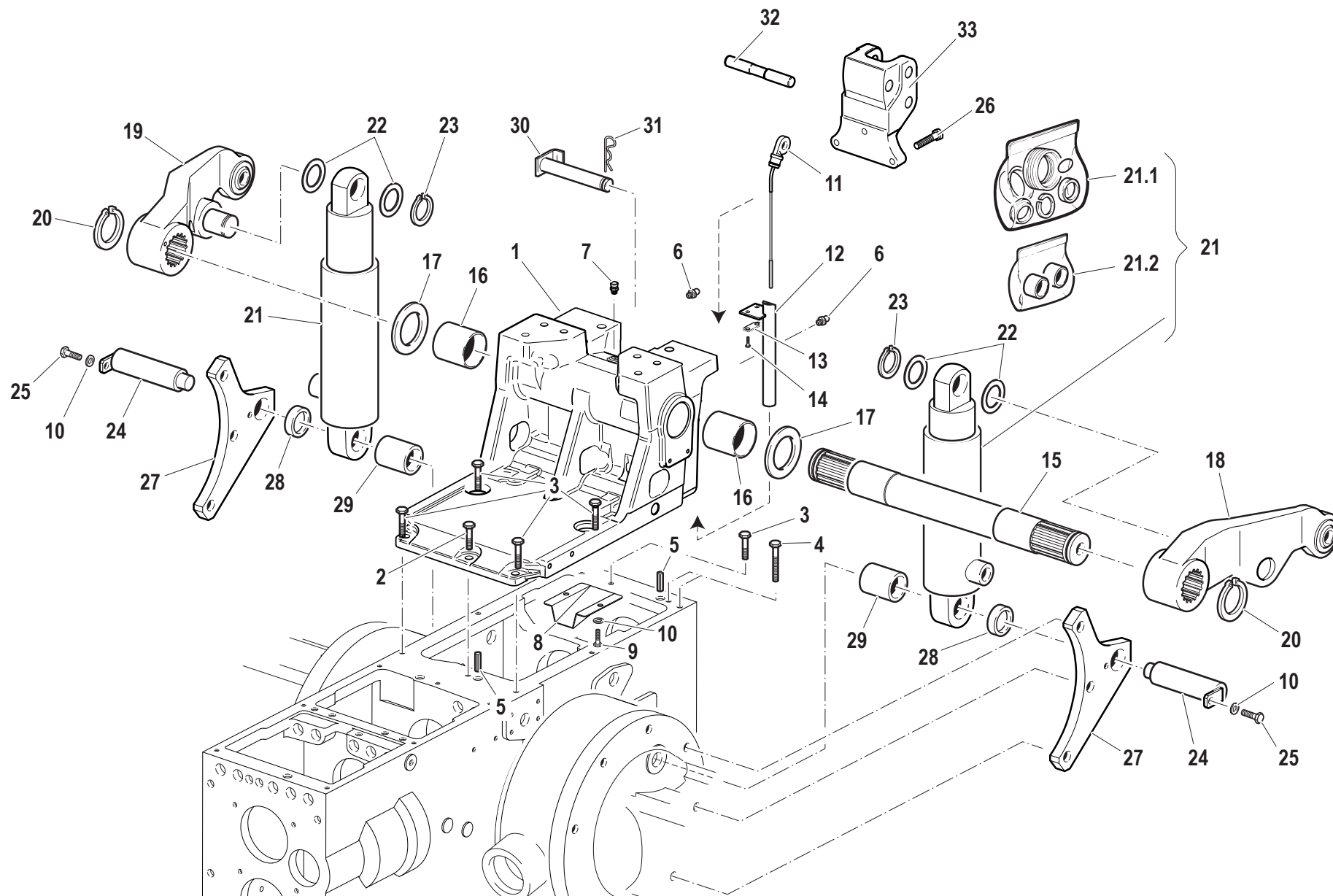
**SOLLEVATORE IDRAULICO ALZA ABBASSA**

Hp 75

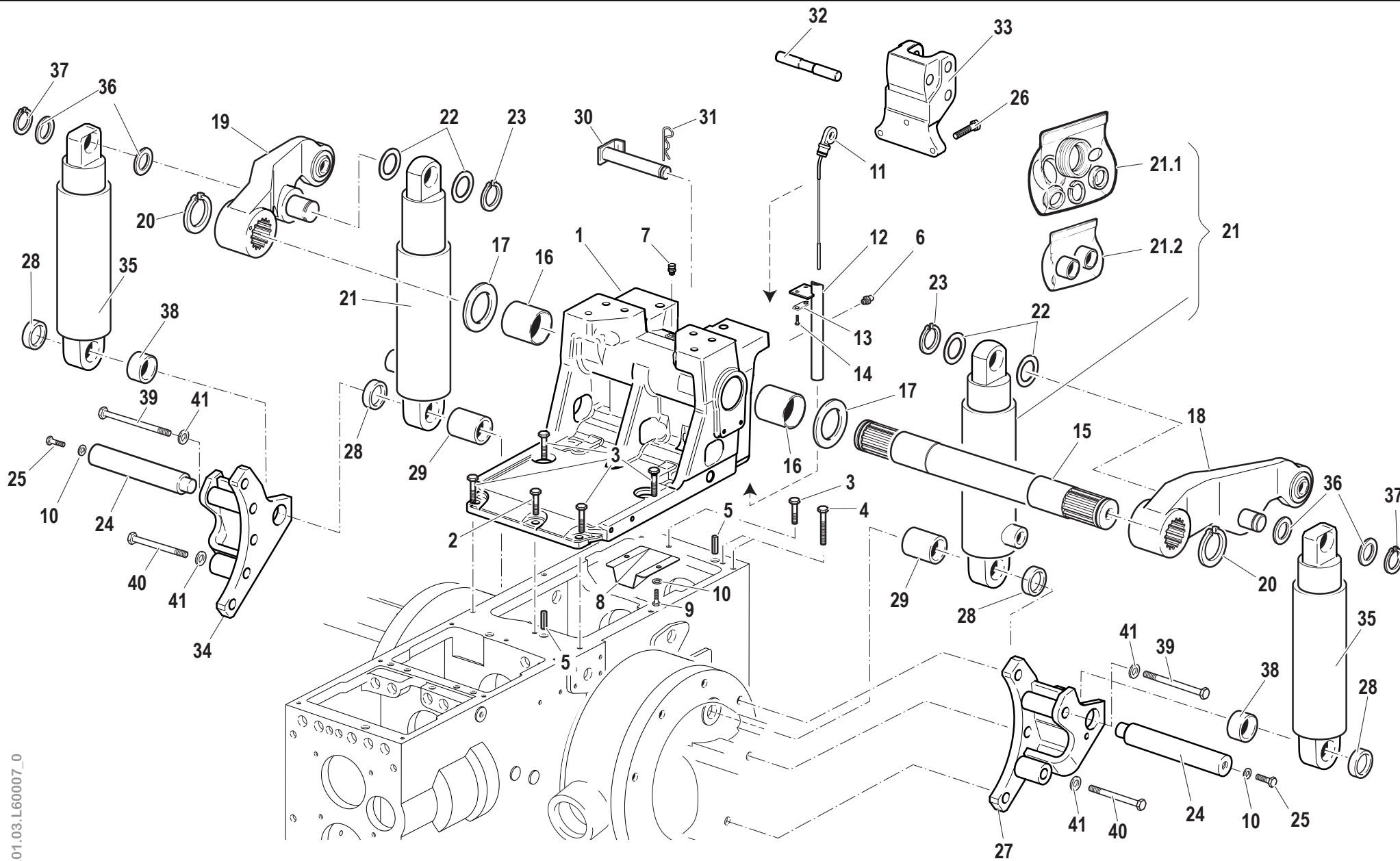
CODE REV

**L.01.01.L60007\_0**

# SOLLEVATORE IDRAULICO ALZA ABBASSA



Pos.	Code	Q.ty	Description	Notes
21.2	58171536	1	BUSHINGS KIT	



Pos.	Code	Q.ty	Description	Notes
1	51175941	1	SUPPORT	
2	31112219	1	SCREW TE M10X25 UNI 5739	
3	31112211	6	SCREW TE M10X30 UNI 5739	
4	F0863429000	4	SCREW M10X45 UNI 5737	
5	56570016	2	CYLINDRICAL PLUG	
6	F0826056000	1	LUBRICATOR M10 UNI 7663A	
7	58075603	1	PLUG	
8	56173638	1	GUARD	
9	31112149	2	SCREW TE M8X12 UNI 5739 8G	
10	F0843643060	2	WASHER 8	
11	58179483	1	OIL LEVEL ROD	
12	59079485	1	PIPE	
13	52071702	1	CLAMPING PLATE	
14	31112082	2	SCREW TE M6X12 UNI 5739 8G	
15	56376260	1	SHAFT	
16	58170291	2	BUSHING	
17	56370288	3	SHIM	
18	59077791	1	LIFTING ARM	
19	59077794	1	LIFTING ARM	
20	F0801331050	2	SEEGER RING	
21	58177783	2	CYLINDER	
22	56370282	4	SHIM	
23	F0801241010	2	SEEGER RING	
24	56377789	2	HINGE PIN	
25	31111151	2	SCREW TE M8X16 UNI 5739 8G	
26	F0863359000	3	SCREW M10X40 UNI 5737	
27	59077796	1	LEFT BRACKET	
28	56175859	2	SPACER	
29	56170285	2	SPACER	
30	56374574	1	CONNECTING BOLT	
31	F0851486000	1	SPLIT PIN	
32	59078588	1	CONNECTING BOLT	
33	51376275	1	THREE-POINT LINKAGE	
34	59077801	1	RIGHT YOKE	

SERIAL

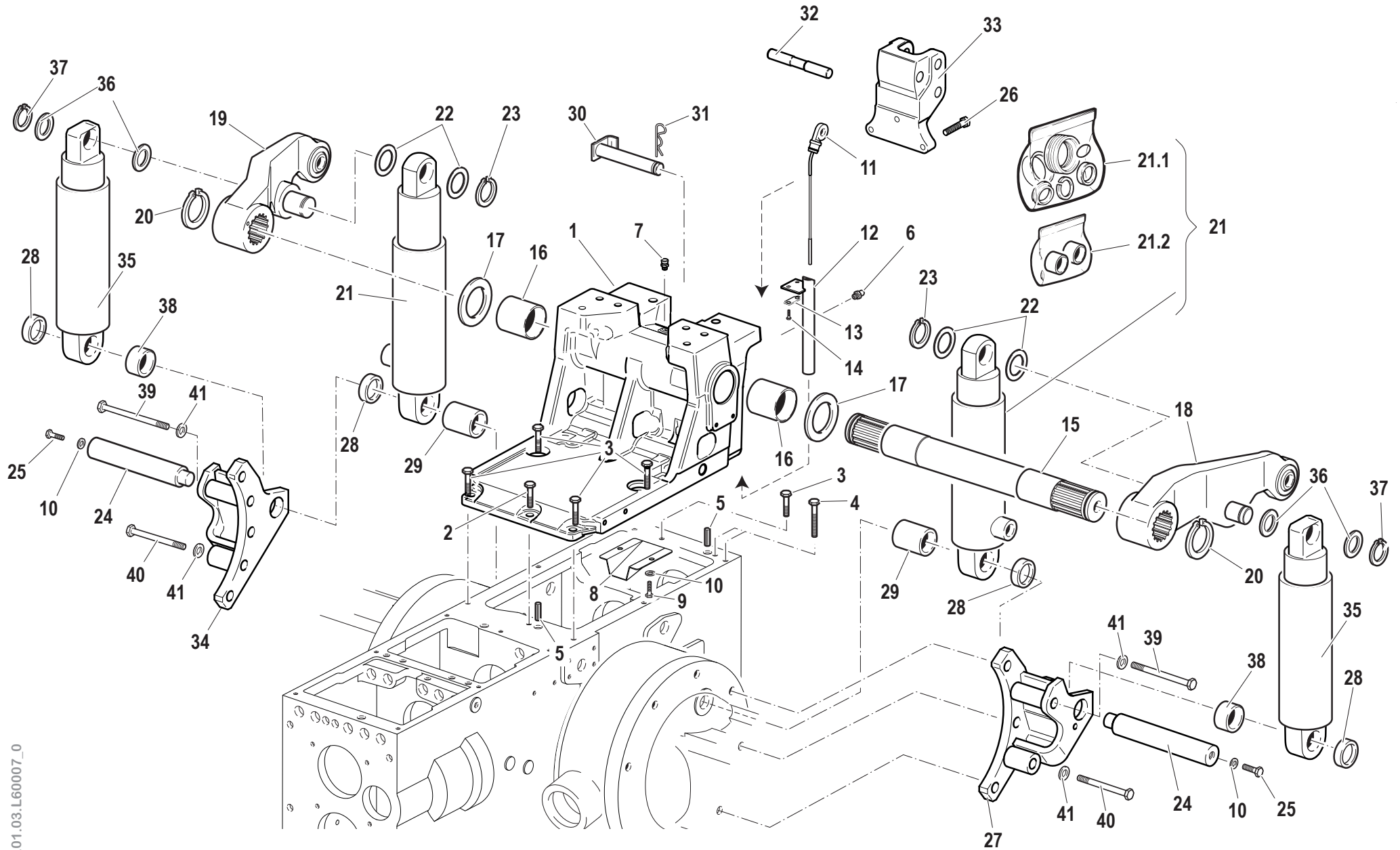
**SOLLEVATORE IDRAULICO VAR D.F.S. MT**

Hp 75

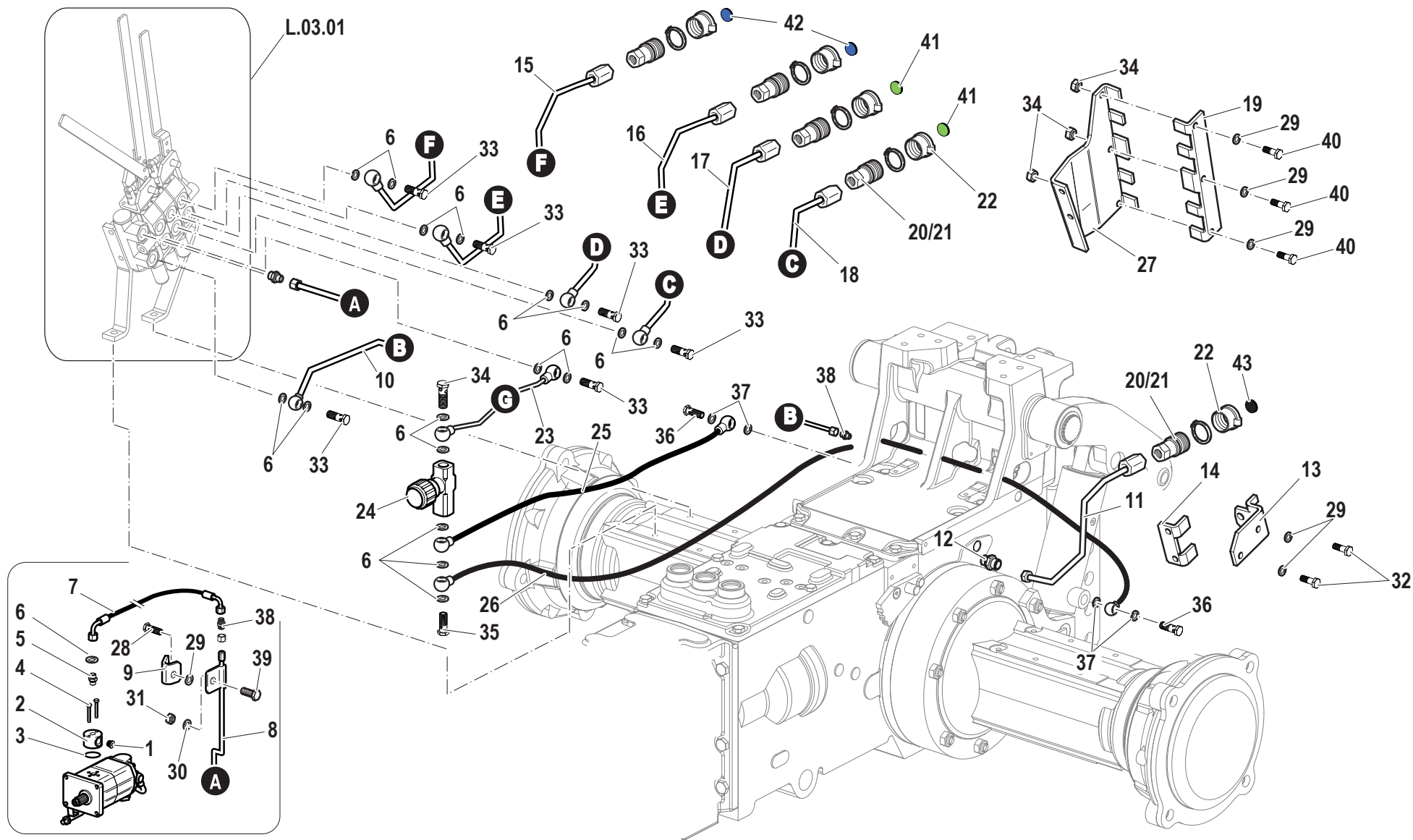
CODE REV

**L.01.03.L60007\_0**





Pos.	Code	Q.ty	Description	Notes
35	58177782	2	CYLINDER	
36	56349629	4	RING	
37	35131026	2	SEEGER RING	
38	56177787	2	SPACER	
39	31112324	2	SCREW M14x1,5x110 UNI 5738	
40	31112323	2	SCREW M14x1,5x80 UNI 5738	
41	F0843921030	4	WASHER 14	
21.1	58171537	1	GASKET SET	
21.2	58171536	1	BUSHINGS KIT	



Pos.	Code	Q.ty	Description	Notes
1	58072045	1	PLUG	
2	56176208	1	PIPE CONNECTION	
3	F0803185000	1	O-RING	
4	F0862345000	2	SCREW M6X40 UNI 5737	
5	30000197	1	NIPPLE	
6	F0824110000	18	COPPER WASHER 3/8 GAS	
7	58077114	1	FLEXIBLE HOSE	
8	59079195	1	PRESSURE PIPE	
9	56179034	1	BRACKET	
10	59079196	1	EXHAUST	
11	59077501	1	EXHAUST	
12	58176891	1	PIPE FITTING	
13	56079206	1	BRACKET	
14	56178727	1	COMB	
15	59079190	1	DISTRIBUTING PIPE	
16	59079191	1	DISTRIBUTING PIPE	
17	59079192	1	DISTRIBUTING PIPE	
18	59079193	1	DISTRIBUTING PIPE	
19	56177241	2	SUPPORTING YOKE	
20	F0825981000	5	COUPLING	
21	F0825980032	5	COUPLING	
22	F0852550100	5	PLUG	
23	59079199	1	PRESSURE PIPE	
24	P241171000000	1	VALVE	
25	58079203	1	FLEXIBLE HOSE	
26	58079202	1	FLEXIBLE HOSE	
27	56176847	1	RIGHT YOKE	
28	31112147	1	SCREW TE M8X18 UNI 5739 8G	
29	F0843643060	9	WASHER 8	
30	F0843755000	1	WASHER 10	
31	F0814632000	1	NUT M10	
32	F0862944000	2	SCREW M8X60 UNI 5737	
33	F0843109020	7	PIPE FITTING	
34	31211080	6	NUT M8	

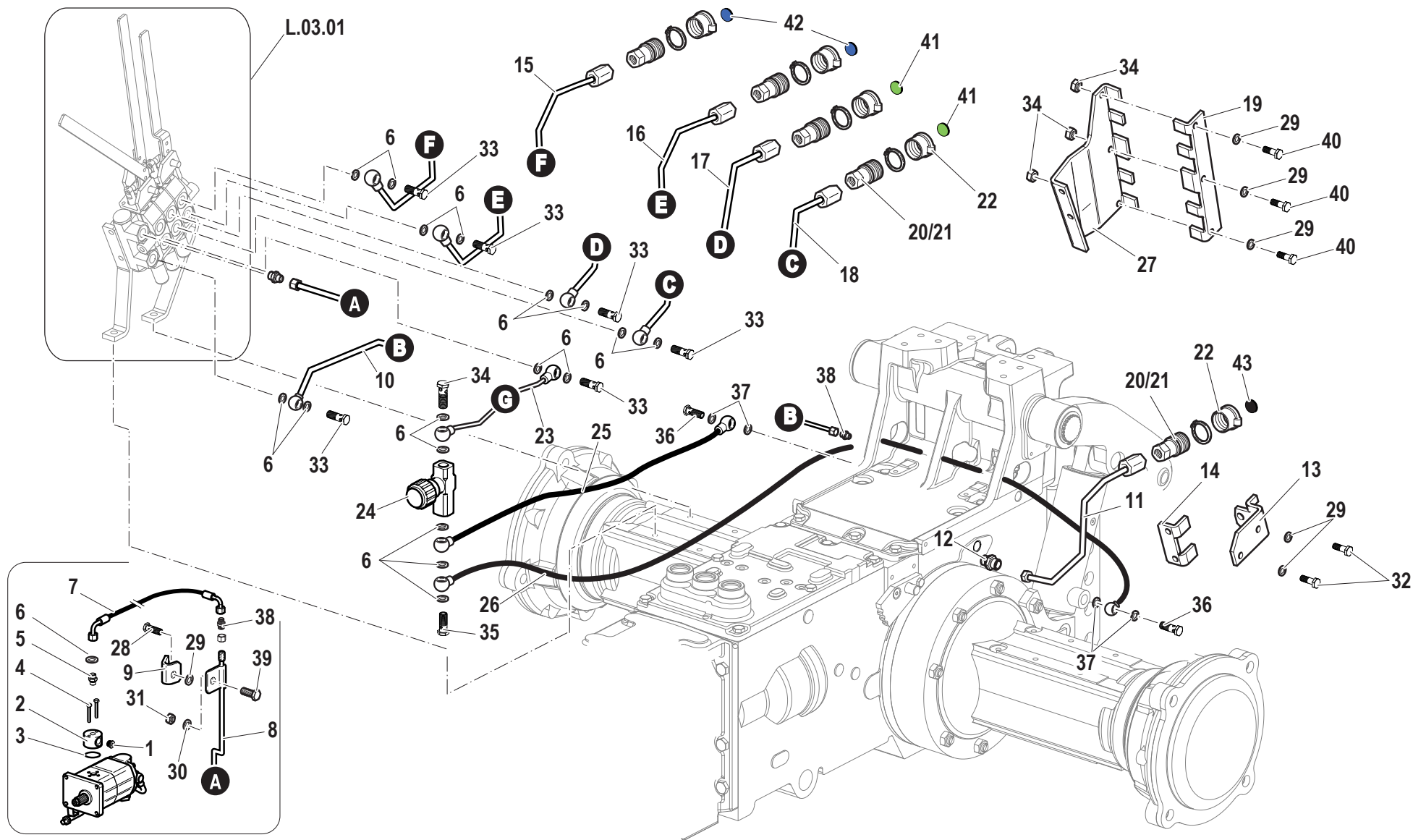
SERIAL

**ALLESTIMENTO DISTRIBUTORI**

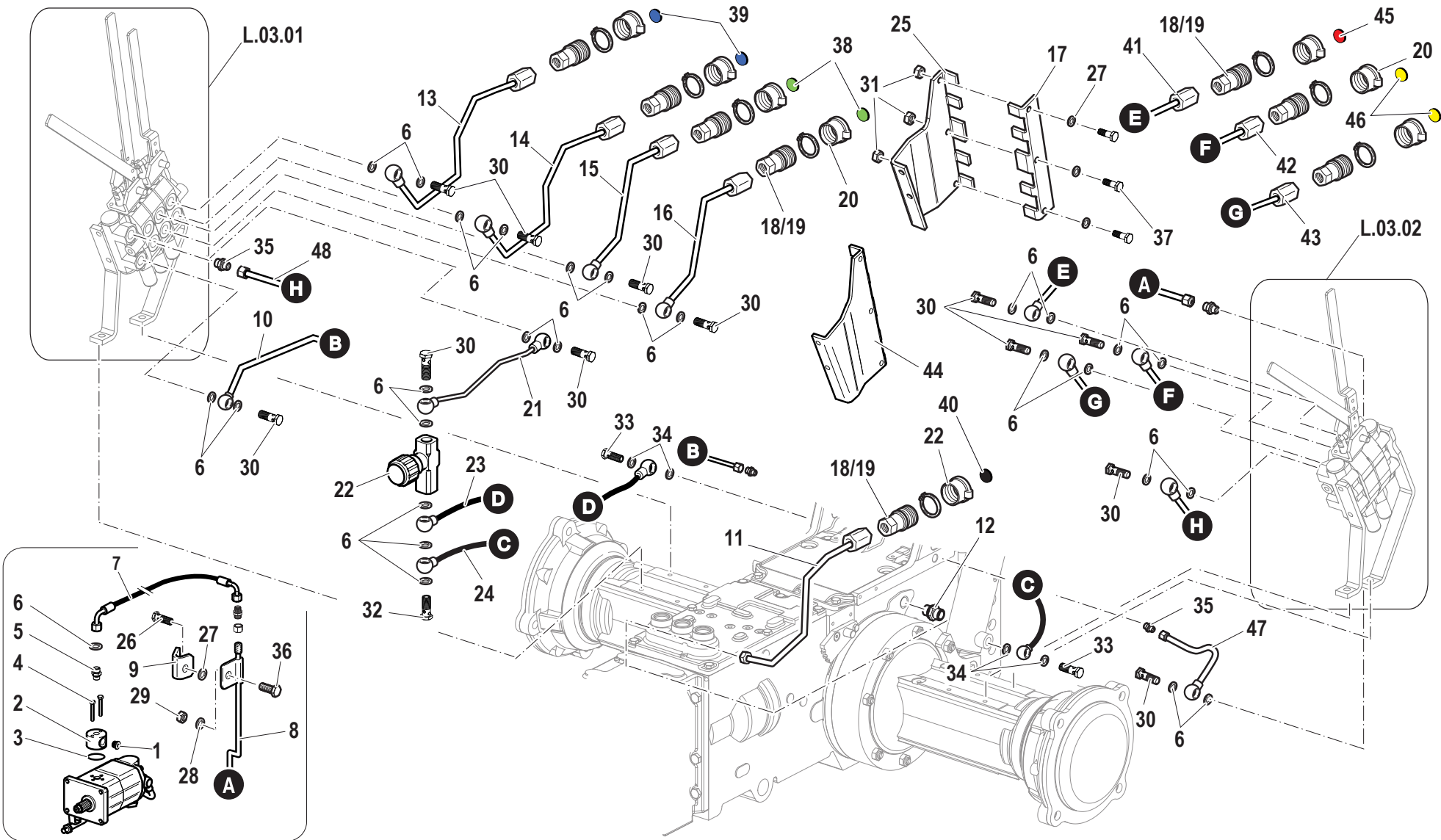
Hp 75

CODE REV

**L.02.01.L60007\_0**



Pos.	Code	Q.ty	Description	Notes
35	58170693	1	PIPE FITTING	
36	F0843110010	2	THREADED TERMINAL END M18x1,5	
37	F0824113000	4	COPPER WASHER 18X24/1,5	
38	30000244	2	PIPE FITTING	
39	31133600	1	SCREW TSVEI M10X25 U5933	
40	31112160	6	SCREW TE M8X55 UNI 5737 8G	
41	F0852550230	2	DECAL	
42	F0852550220	2	DECAL	
43	F0852550240	1	DECAL	



L.02.02.L60007\_0

Pos.	Code	Q.ty	Description	Notes
1	58072045	1	PLUG	
2	56176208	1	PIPE CONNECTION	
3	F0803185000	1	O-RING	
4	F0862345000	2	SCREW M6X40 UNI 5737	
5	30000197	1	NIPPLE	
6	F0824110000	26	COPPER WASHER 3/8 GAS	
7	58077114	1	FLEXIBLE HOSE	
8	59077927	1	PRESSURE PIPE	
9	56179034	1	BRACKET	
10	59079196	1	EXHAUST	
11	59077501	1	EXHAUST	
12	58176891	1	PIPE FITTING	
13	59079190	1	DISTRIBUTING PIPE	
14	59079191	1	DISTRIBUTING PIPE	
15	59079192	1	DISTRIBUTING PIPE	
16	59079193	1	DISTRIBUTING PIPE	
17	56177241	1	SUPPORTING YOKE	
18	F0825981000	8	COUPLING	
19	F0825980032	8	COUPLING	
20	F0852550100	8	PLUG	
21	59079199	1	PRESSURE PIPE	
22	P241171000000	1	VALVE	
23	58079203	1	FLEXIBLE HOSE	
24	58079202	1	FLEXIBLE HOSE	
25	56176847	1	RIGHT YOKE	
26	31112147	1	SCREW TE M8X18 UNI 5739 8G	
27	F0843643060	4	WASHER 8	
28	F0843755000	1	WASHER 10	
29	F0814632000	1	NUT M10	
30	F0843109020	12	PIPE FITTING	
31	31211080	3	NUT M8	
32	58170693	1	PIPE FITTING	
33	F0843110010	2	THREADED TERMINAL END M18x1,5	
34	F0824113000	4	COPPER WASHER 18X24/1,5	

SERIAL

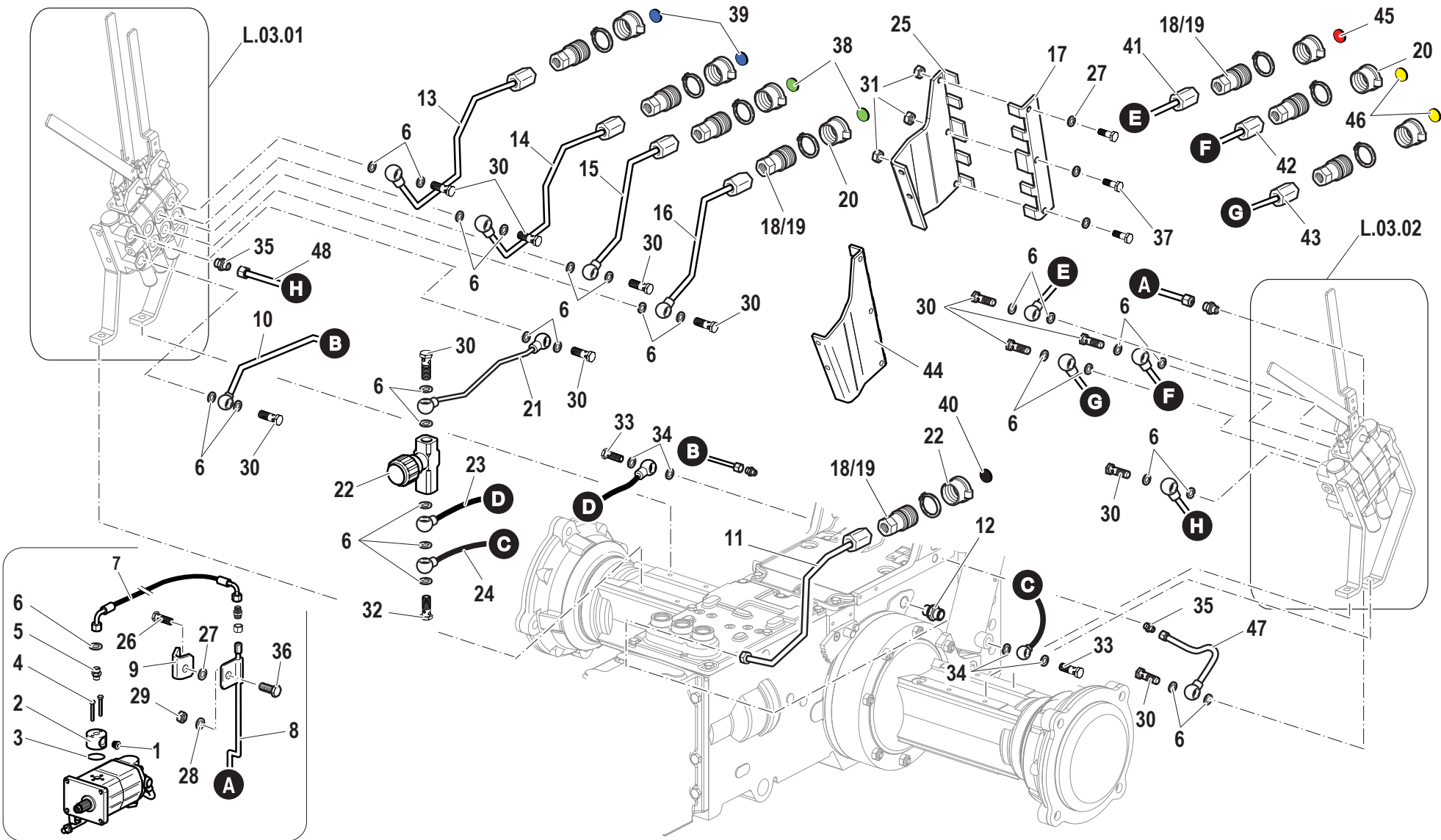
**ALLESTIMENTO DISTRIBUTORI**

Hp 75

CODE REV

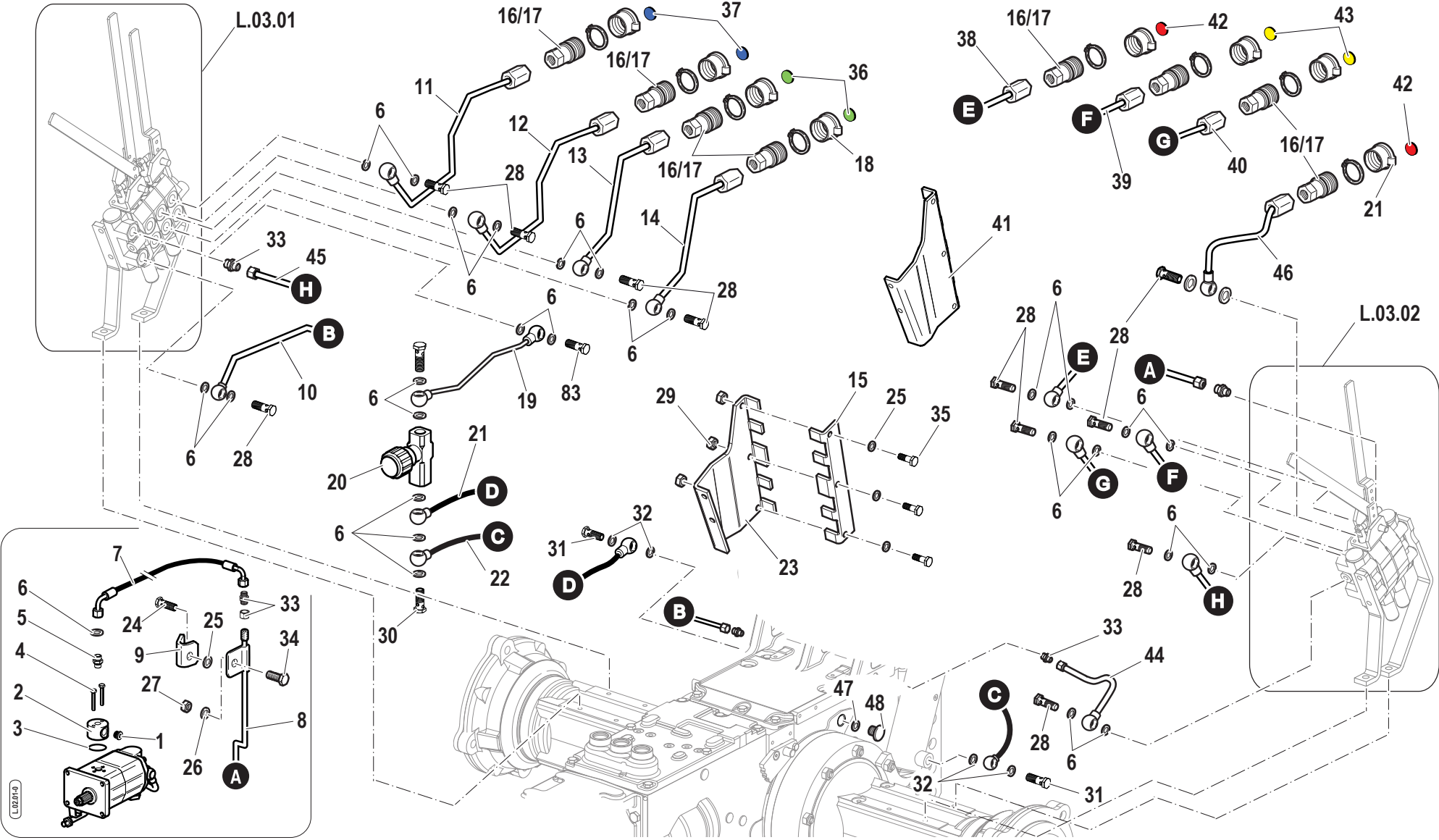
**L.02.02.L60007\_0**





L.02.02.L60007\_0

Pos.	Code	Q.ty	Description	Notes
35	30000244	3	PIPE FITTING	
36	31133600	1	SCREW TSVEI M10X25 U5933	
37	31112160	3	SCREW TE M8X55 UNI 5737 8G	
38	F0852550230	2	DECAL	
39	F0852550220	2	DECAL	
40	F0852550240	1	DECAL	
41	59077490	1	DISTRIBUTING PIPE	
42	59077491	1	DISTRIBUTING PIPE	
43	59077492	1	DISTRIBUTING PIPE	
44	56176797	1	LEFT BRACKET	
45	F0852550200	1	DECAL	
46	F0852550210	2	DECAL	
47	59079359	1	EXHAUST	
48	59079356	1	CONNECTION PIPE	



L.02.03.L60007\_0

Lozzi

Pos.	Code	Q.ty	Description	Notes
1	58072045	1	PLUG	
2	56176208	1	PIPE CONNECTION	
3	F0803185000	1	O-RING	
4	F0862345000	2	SCREW M6X40 UNI 5737	
5	30000197	1	NIPPLE	
6	F0824110000	28	COPPER WASHER 3/8 GAS	
7	58077114	1	FLEXIBLE HOSE	
8	59077927	1	PRESSURE PIPE	
9	56179034	1	BRACKET	
10	59079196	1	EXHAUST	
11	59079190	1	DISTRIBUTING PIPE	
12	59079191	1	DISTRIBUTING PIPE	
13	59079192	1	DISTRIBUTING PIPE	
14	59079193	1	DISTRIBUTING PIPE	
15	56177241	1	SUPPORTING YOKE	
16	F0825981000	8	COUPLING	
17	F0825980032	8	COUPLING	
18	F0852550100	6	PLUG	
19	59079199	1	PRESSURE PIPE	
20	P241171000000	1	VALVE	
21	58079203	1	FLEXIBLE HOSE	
22	58079202	1	FLEXIBLE HOSE	
23	56176847	1	RIGHT YOKE	
24	31112147	1	SCREW TE M8X18 UNI 5739 8G	
25	F0843643060	4	WASHER 8	
26	F0843755000	1	WASHER 10	
27	F0814632000	1	NUT M10	
28	F0843109020	11	PIPE FITTING	
29	31211080	6	NUT M8	
30	58170693	1	PIPE FITTING	
31	F0843110010	2	THREADED TERMINAL END M18x1,5	
32	F0824113000	4	COPPER WASHER 18X24/1,5	
33	30000244	3	PIPE FITTING	
34	31133600	1	SCREW TSVEI M10X25 U5933	

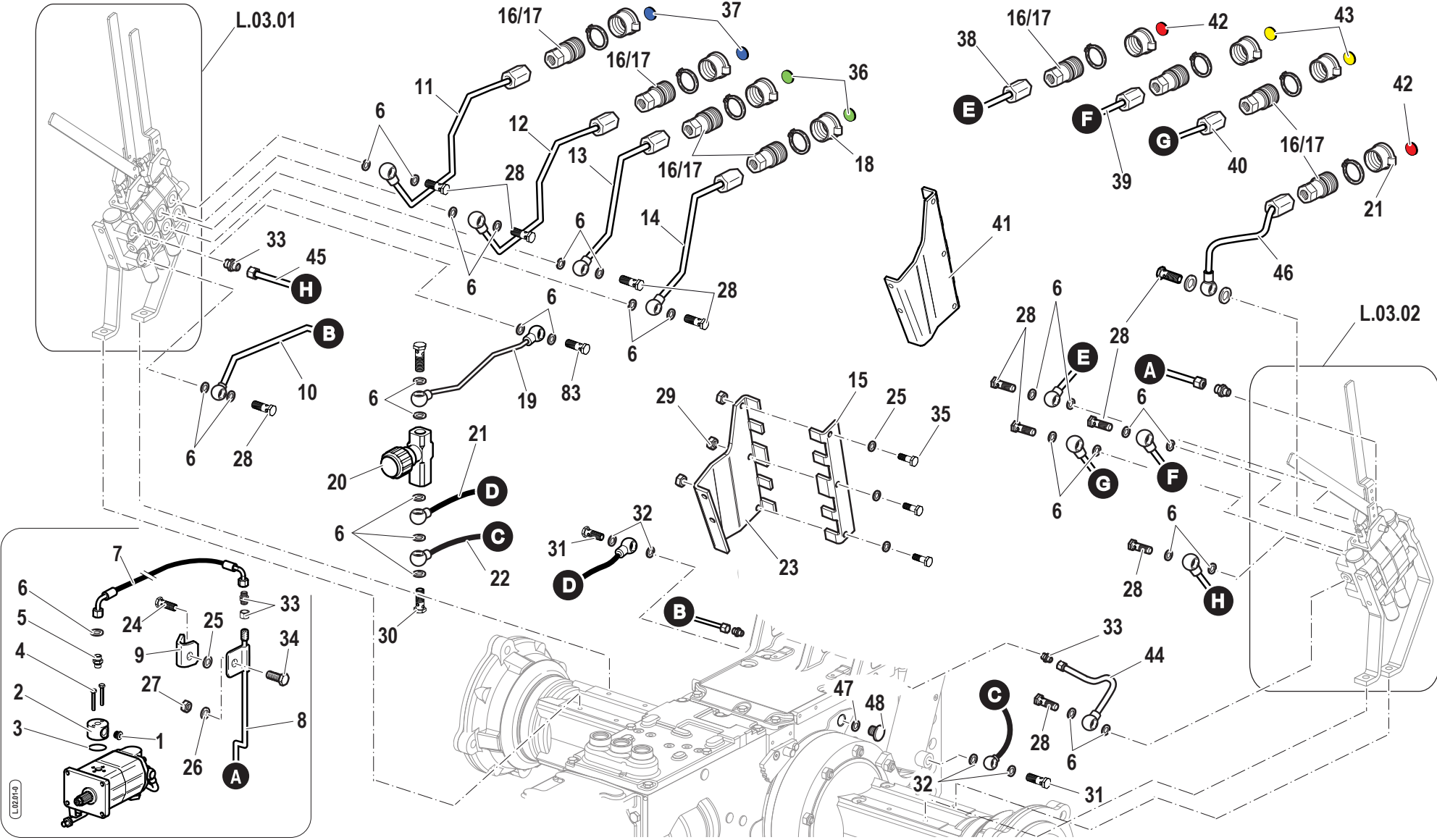
SERIAL

**ALLESTIMENTO DISTRIBUTORI**

Hp 75

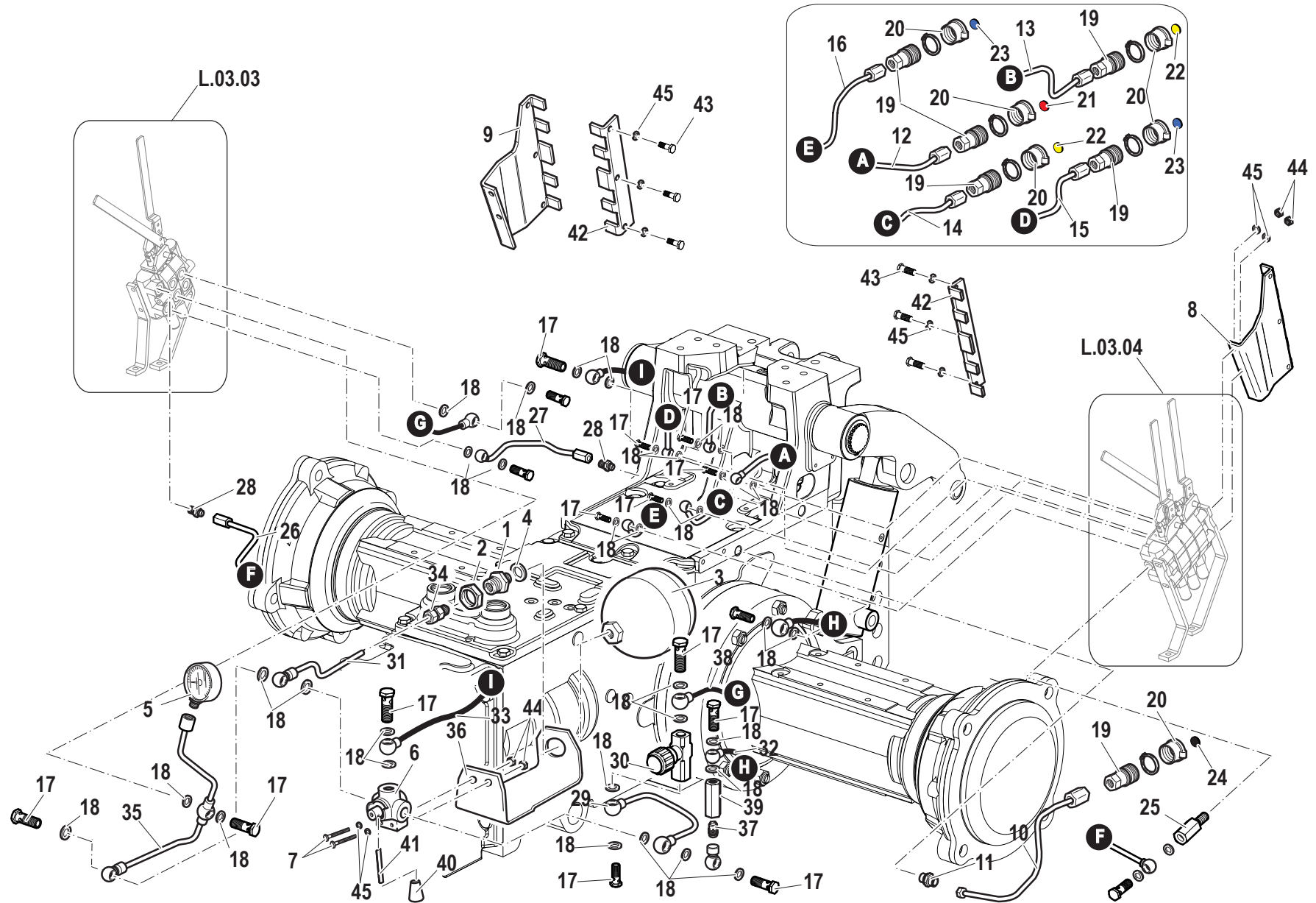
CODE REV

**L.02.03.L60007\_0**



L.02.03.L60007\_0

Pos.	Code	Q.ty	Description	Notes
35	31112160	3	SCREW TE M8X55 UNI 5737 8G	
36	F0852550230	2	DECAL	
37	F0852550220	2	DECAL	
38	59077490	1	DISTRIBUTING PIPE	
39	59077491	1	DISTRIBUTING PIPE	
40	59077492	1	DISTRIBUTING PIPE	
41	56176797	1	LEFT BRACKET	
42	F0852550200	2	DECAL	
43	F0852550210	2	DECAL	
44	59079359	1	EXHAUST	
45	59079356	1	CONNECTION PIPE	
46	59079194	1	DISTRIBUTING PIPE	
47	F0844273090	1	GASKET 22X28X1,5 CU 99,5	
48	56370081	1	PLUG	



L.02.07.L60007\_0

Pos.	Code	Q.ty	Description	Notes
1	56177669	1	PIPE FITTING	
2	56170779	1	NUT	
3	P295170000000	1	ACCUMULATOR	
4	F0824141000	1	COPPER WASHER 21x27/1,5	
5	58170597	1	MANOMETER	
6	F0110037024	1	SWITCH	
7	F0862847000	2	SCREW M8X45 UNI 5737	
8	56176797	1	LEFT BRACKET	
9	56176798	1	LEFT BRACKET	
10	59077502	1	EXHAUST	
11	58176891	1	PIPE FITTING	
12	59077490	1	DISTRIBUTING PIPE	
13	59077491	1	DISTRIBUTING PIPE	
14	59077492	1	DISTRIBUTING PIPE	
15	59077497	1	DISTRIBUTING PIPE	
16	59077498	1	DISTRIBUTING PIPE	
17	F0843109020	13	PIPE FITTING	
18	F0824110000	33	COPPER WASHER 3/8 GAS	
19	F0825981000	6	COUPLING	
20	F0852550100	6	PLUG	
21	F0852550200	1	DECAL	
22	F0852550210	2	DECAL	
23	F0852550220	2	DECAL	
24	F0852550240	1	DECAL	
25	F0835027000	1	EXTENSION	
26	59079373	1	CONNECTION PIPE	
27	59079375	1	EXHAUST	
28	30000244	2	PIPE FITTING	
29	59077299	1	PIPE	
30	58177698	1	VALVE	
31	59077297	1	PIPE	
32	58076992	1	FLEXIBLE HOSE	
33	58076993	1	FLEXIBLE HOSE	
34	58172015	1	PIPE FITTING	

SERIAL

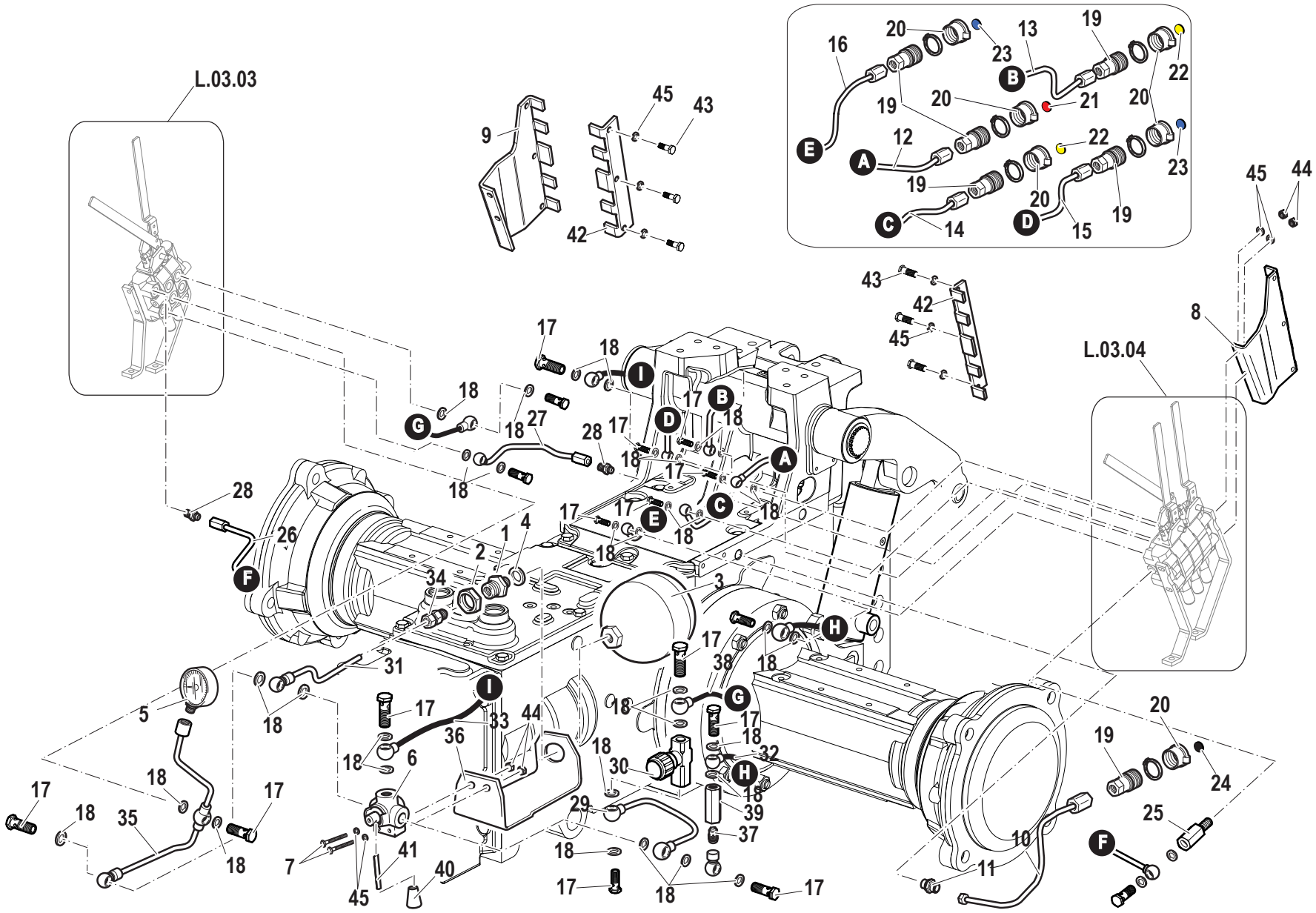
**ALLESTIMENTO CON SOSPENSIONE IDRAULICA**

Hp 75

CODE REV

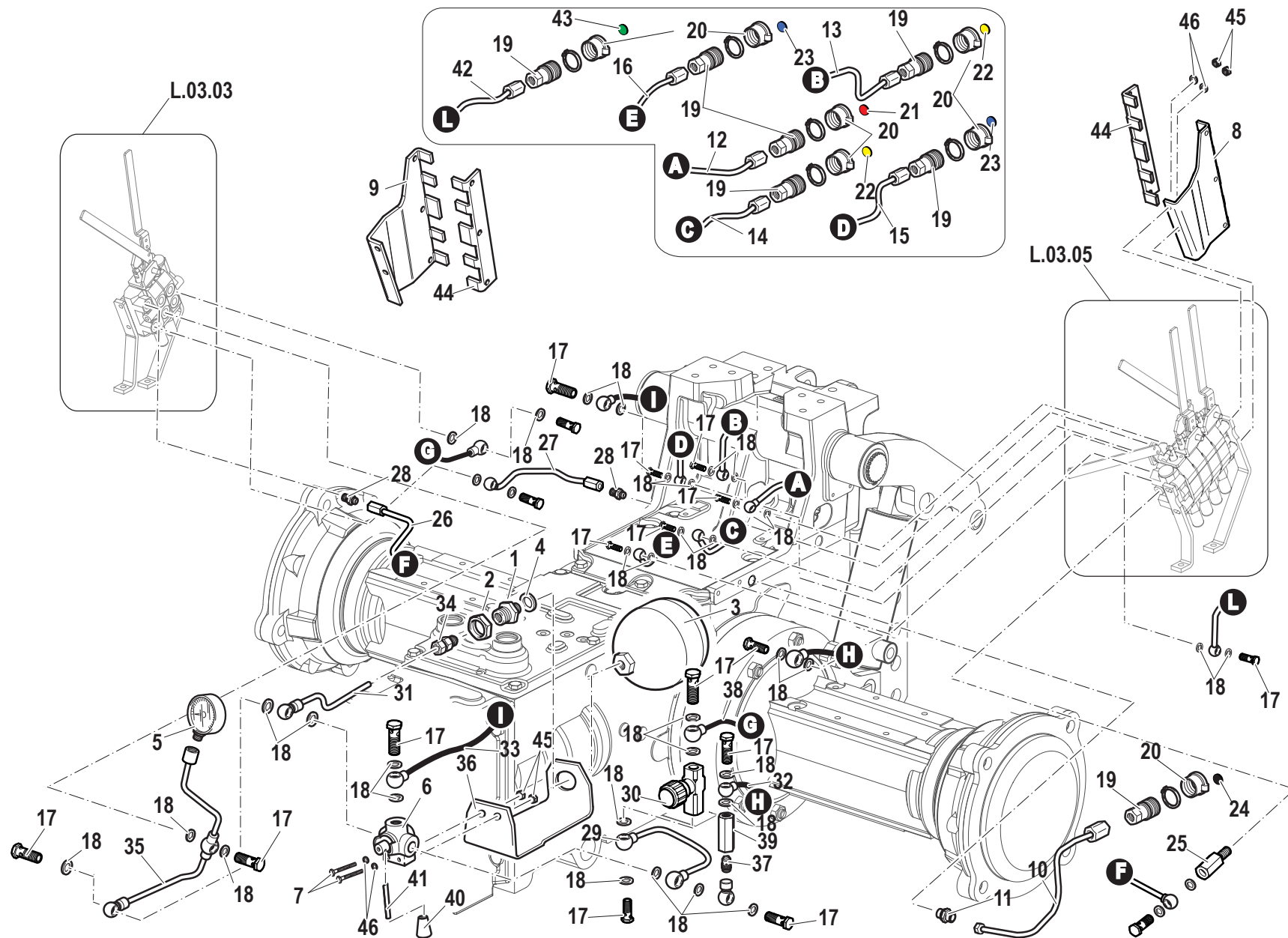
**L.02.07.L60007\_0**





L.02.07.L60007\_0

Pos.	Code	Q.ty	Description	Notes
35	59077296	1	PIPE	
36	56176989	1	SUPPORT	
37	F0842510025	1	PIPE FITTING	
38	59079371	1	PRESSURE PIPE	
39	58179546	1	SMALL COLUMN	
40	F0837521000	1	GRIP	
41	59076934	1	COMMAND LEVER	
42	56177241	2	SUPPORTING YOKE	
43	31112160	6	SCREW TE M8X55 UNI 5737 8G	
44	31211080	4	NUT M8	
45	F0843643060	10	WASHER 8	



Pos.	Code	Q.ty	Description	Notes
1	56079183	1	BRACKET	
2	56173110	4	SPACER	
3	31112212	4	SCREW TE M10X35 UNI 5739	
4	F0843755000	4	WASHER 10	
5	59077551	1	PIPE	
6	59077553	1	EXHAUST	
7	F0843109020	6	PIPE FITTING	
8	P996510000001	12	WASHER	
9	59077554	1	PRESSURE PIPE	
10	59077557	1	DISTRIBUTING PIPE	
11	59077559	1	DISTRIBUTING PIPE	
12	59077560	1	DISTRIBUTING PIPE	
13	59077561	1	DISTRIBUTING PIPE	
14	59077562	1	DISTRIBUTING PIPE	
15	59077563	1	DISTRIBUTING PIPE	
16	59077565	1	DISTRIBUTING PIPE	
17	59077567	1	DISTRIBUTING PIPE	
18	59077569	1	DISTRIBUTING PIPE	
19	59077571	1	DISTRIBUTING PIPE	
20	58077573	1	FLEXIBLE HOSE	
21	30000197	2	NIPPLE	
22	F0824110000	3	COPPER WASHER 3/8 GAS	
23	58177698	1	VALVE	
24	58179546	1	SMALL COLUMN	
25	58077666	1	EYELET	
26	30000787	1	HOLLOW SCREW 18x1,5	
27	58070513	1	FLEXIBLE HOSE	
28	F0842510020	1	PIPE FITTING	
29	F0843110010	1	THREADED TERMINAL END M18x1,5	
30	56079182	1	BRACKET	
31	59077532	1	FIXING BRACKET	
32	56077535	1	BRACKET	
33	F0824113000	5	COPPER WASHER 18X24/1,5	
34	59077552	1	EXHAUST	

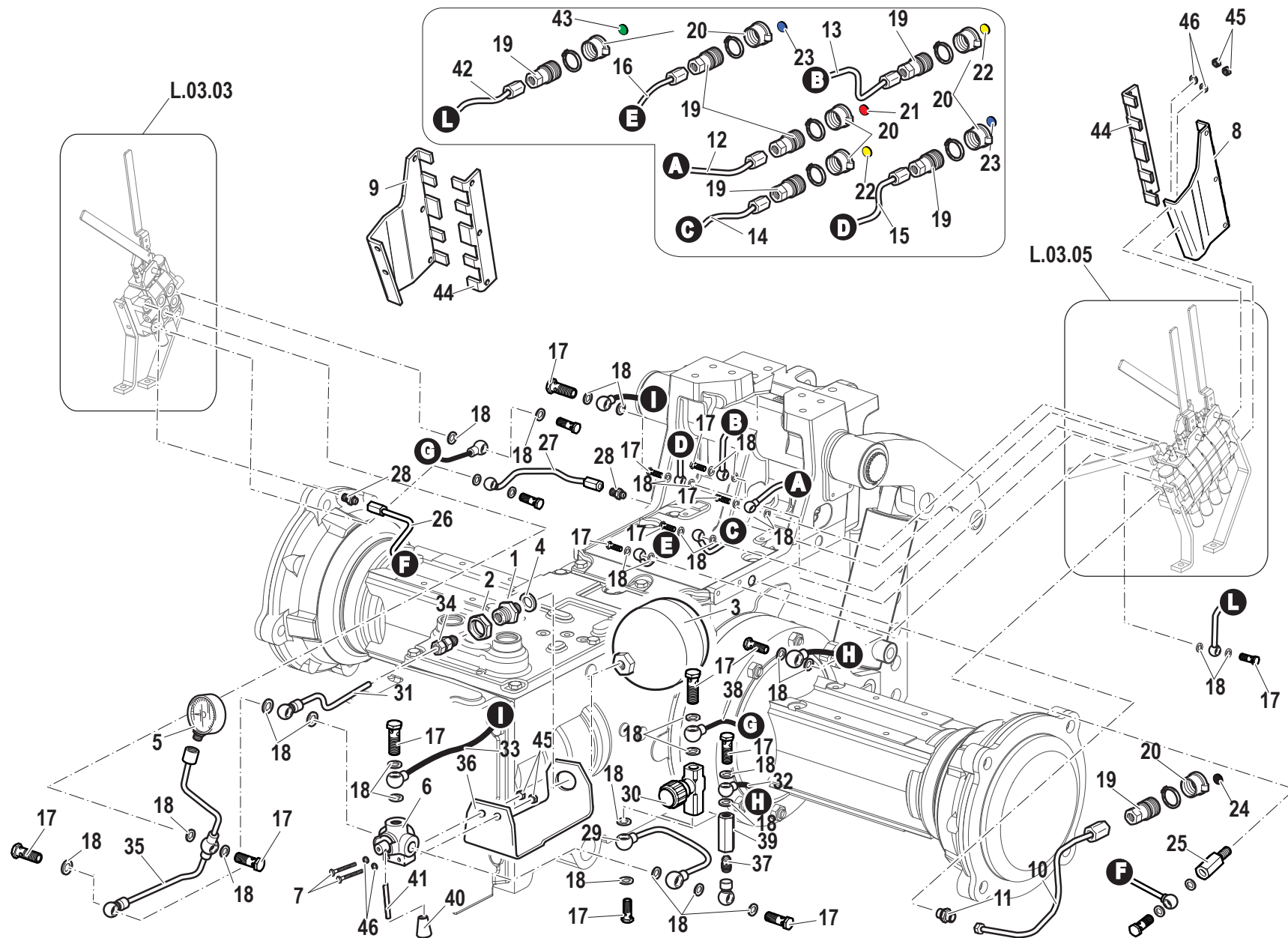
SERIAL

**ALLESTIMENTO DISTRIBUTORI**

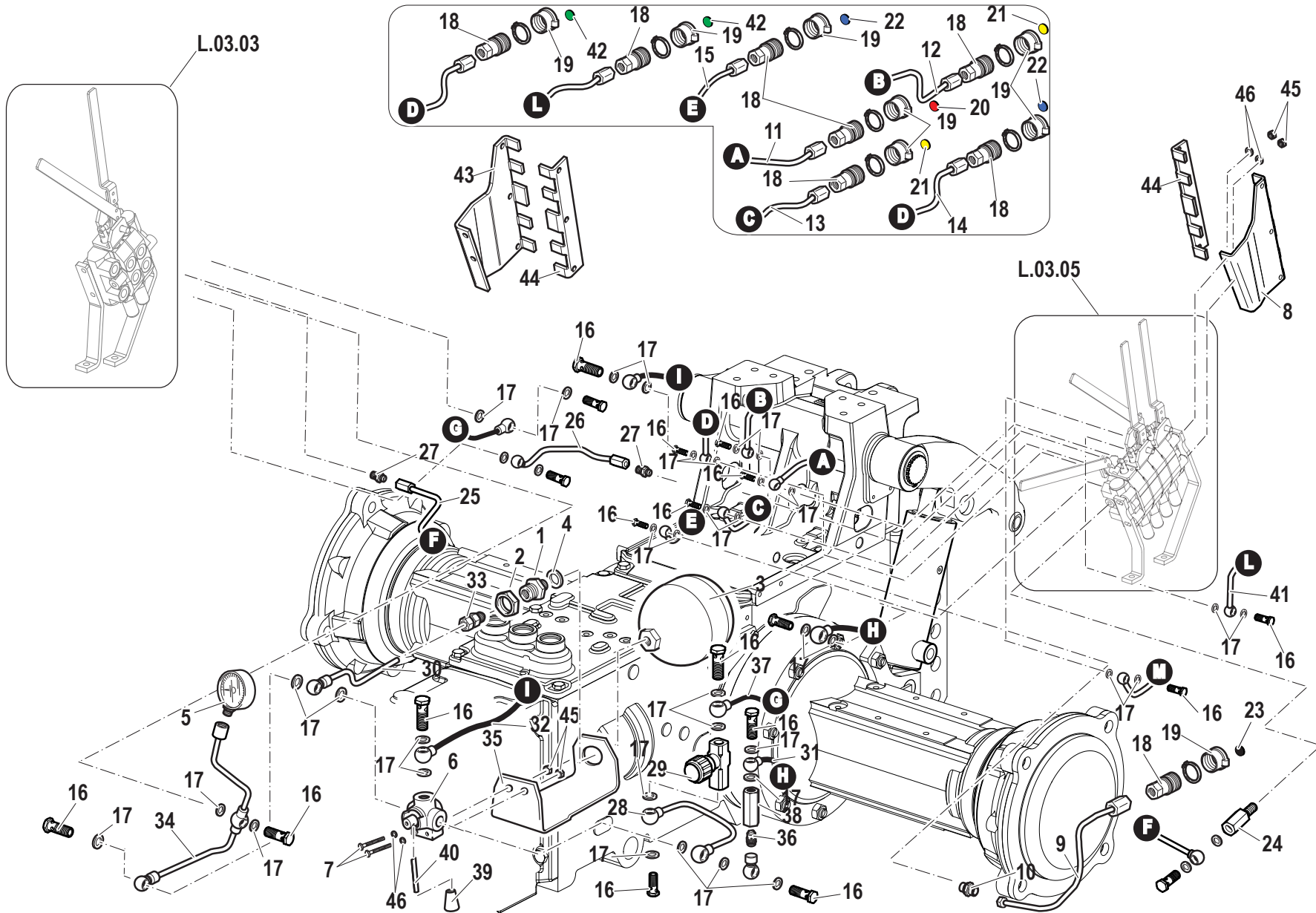
Hp 75

CODE REV

**L.02.08.L60007\_0**



Pos.	Code	Q.ty	Description	Notes
35	F0843116000	2	PIPE FITTING 1/2	
36	P439294000001	2	WASHER	
37	58177765	1	LOCKING MECHANISM	
38	58177766	1	LOCKING MECHANISM	
39	59077870	1	PRESSURE PIPE	
40	56176859	2	SUPPORT	
41	56176887	2	SUPPORT	
42	56176797	1	LEFT BRACKET	
43	56176847	1	RIGHT YOKE	
44	58172015	1	PIPE FITTING	
45	56176850	1	COMB	
46	31112089	2	SCREW TE M6X25 UNI 5739 8G	
47	56176851	1	BRACKET	
48	31112092	2	SCREW TE M6X35 UNI 5739 8G	
49	58177537	4	COUPLING	
50	58177538	4	COUPLING	
51	58177539	4	PLUG	
52	58177540	4	PLUG	
53	57377545	1	COVER	
54	F0843570000	2	WASHER 6	
55	56177241	2	SUPPORTING YOKE	



Pos.	Code	Q.ty	Description	Notes
1	56177669	1	PIPE FITTING	
2	56170779	1	NUT	
3	P295170000000	1	ACCUMULATOR	
4	F0824141000	1	COPPER WASHER 21x27/1,5	
5	58170597	1	MANOMETER	
6	F0110037024	1	SWITCH	
7	F0862847000	2	SCREW M8X45 UNI 5737	
8	56176797	1	LEFT BRACKET	
9	59077502	1	EXHAUST	
10	58176891	1	PIPE FITTING	
11	59077490	1	DISTRIBUTING PIPE	
12	59077491	1	DISTRIBUTING PIPE	
13	59077492	1	DISTRIBUTING PIPE	
14	59077497	1	DISTRIBUTING PIPE	
15	59077498	1	DISTRIBUTING PIPE	
16	F0843109020	15	PIPE FITTING	
17	F0824110000	36	COPPER WASHER 3/8 GAS	
18	F0825981000	8	COUPLING	
19	F0852550100	8	PLUG	
20	F0852550200	1	DECAL	
21	F0852550210	2	DECAL	
22	F0852550220	2	DECAL	
23	F0852550240	1	DECAL	
24	F0835027000	1	EXTENSION	
25	59079373	1	CONNECTION PIPE	
26	59079375	1	EXHAUST	
27	30000244	2	PIPE FITTING	
28	59077299	1	PIPE	
29	58177698	1	VALVE	
30	59077297	1	PIPE	
31	58076992	1	FLEXIBLE HOSE	
32	58076993	1	FLEXIBLE HOSE	
33	58172015	1	PIPE FITTING	
34	59077296	1	PIPE	

SERIAL

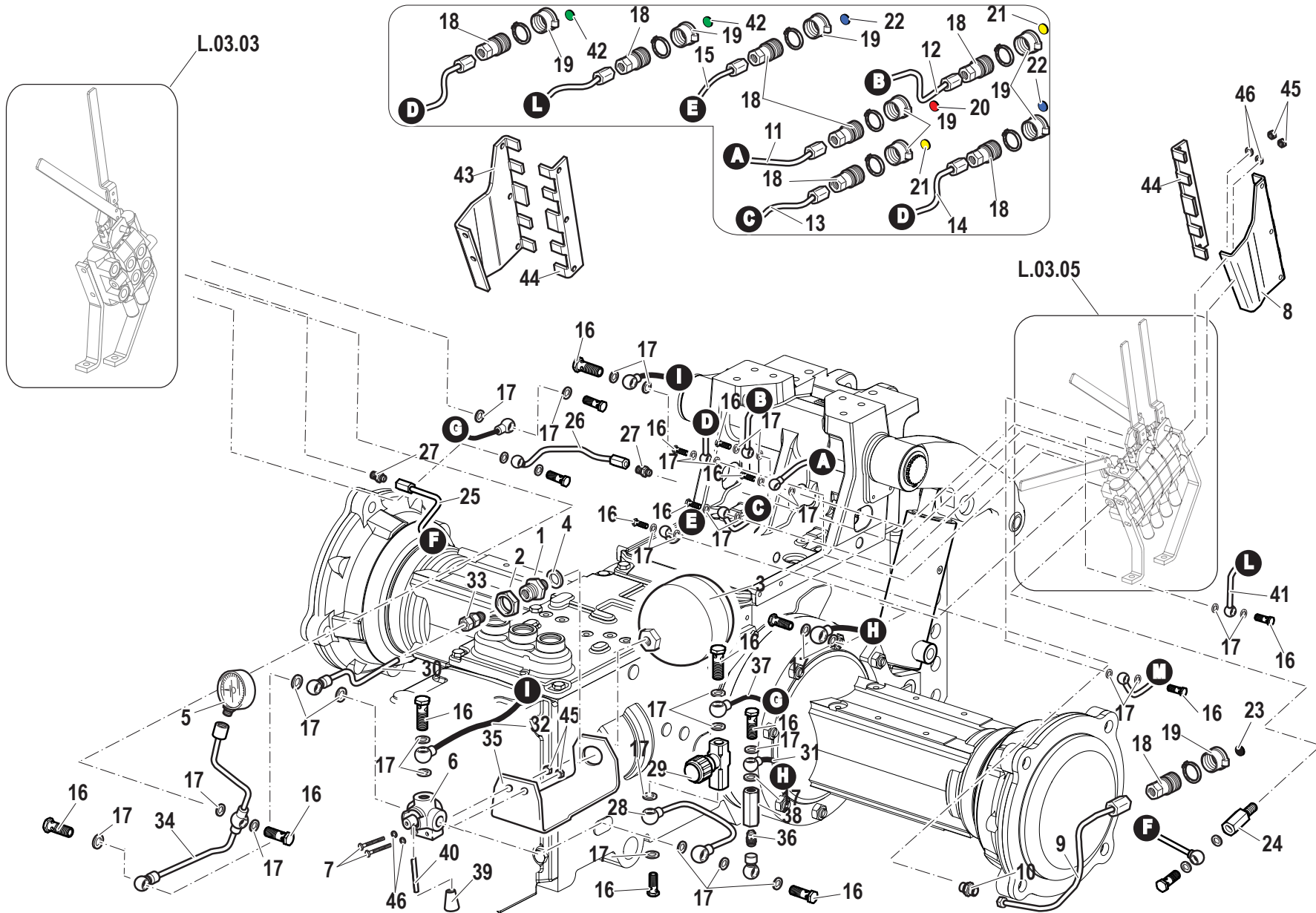
**ALLESTIMENTO CON SOSPENSIONE IDRAULICA**

Hp 75

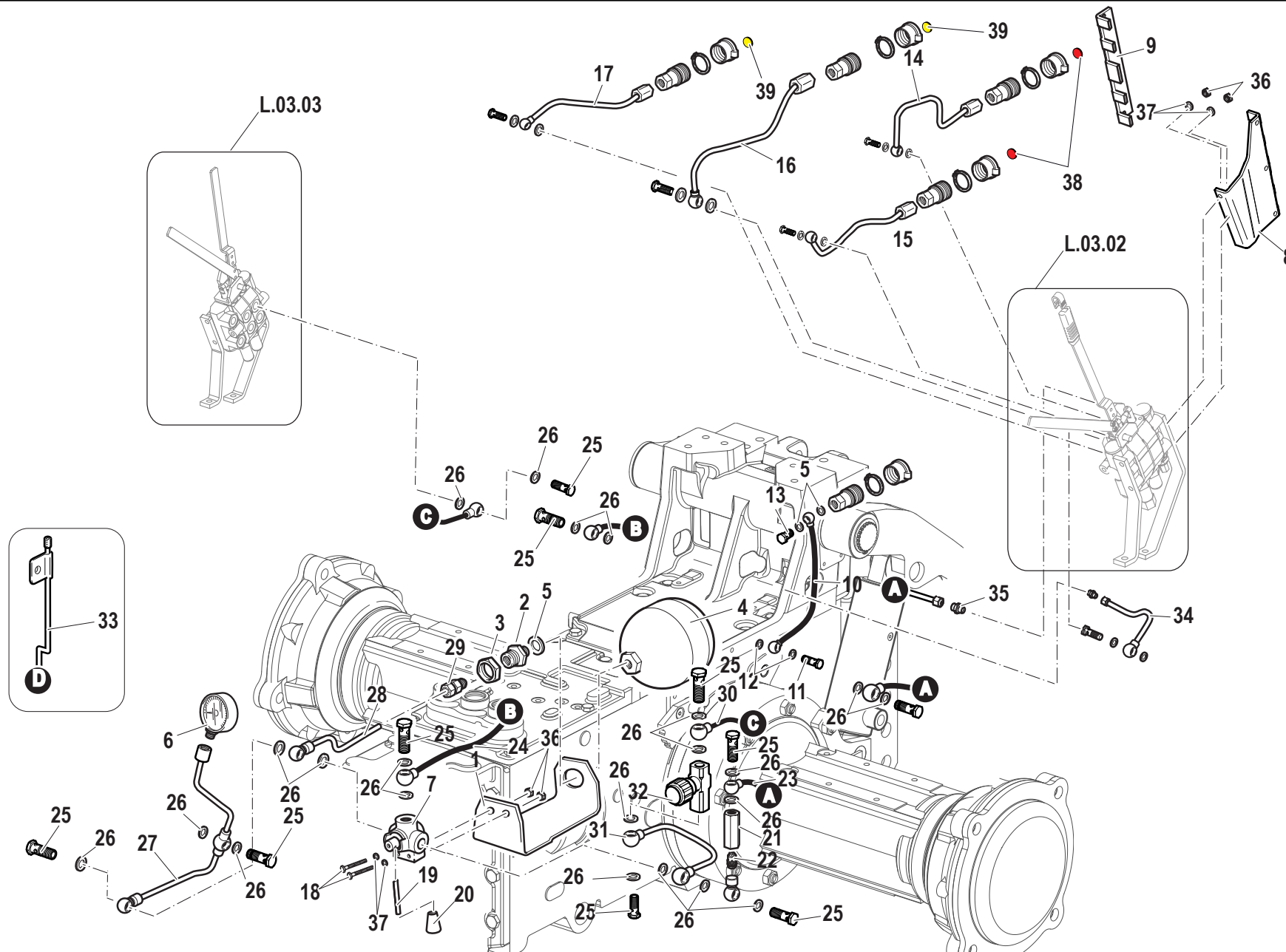
CODE REV

**L.02.09.L60007\_0**





Pos.	Code	Q.ty	Description	Notes
35	56176989	1	SUPPORT	
36	F0842510025	1	PIPE FITTING	
37	59079371	1	PRESSURE PIPE	
38	58179546	1	SMALL COLUMN	
39	F0837521000	1	GRIP	
40	59076934	1	COMMAND LEVER	
41	59077500	1	DISTRIBUTING PIPE	
42	F0852550230	2	DECAL	
43	56176798	1	LEFT BRACKET	
44	56177241	2	SUPPORTING YOKE	
45	31211080	4	NUT M8	
46	F0843643060	4	WASHER 8	



Pos.	Code	Q.ty	Description	Notes
1	56176989	1	SUPPORT	
2	56177669	1	PIPE FITTING	
3	56170779	1	NUT	
4	P295170000000	1	ACCUMULATOR	
5	F0824141000	3	COPPER WASHER 21x27/1,5	
6	58170597	1	MANOMETER	
7	F0110037024	1	SWITCH	
8	56176797	1	LEFT BRACKET	
9	56079361	1	FIXING BRACKET	
10	58079362	1	EXHAUST HOSE	
11	F0843122000	1	SCREW 22x1,5	
12	F0844273090	2	GASKET 22X28X1,5 CU 99,5	
13	F0843116000	1	PIPE FITTING 1/2	
14	59079194	1	DISTRIBUTING PIPE	
15	59077490	1	DISTRIBUTING PIPE	
16	59077491	1	DISTRIBUTING PIPE	
17	59077492	1	DISTRIBUTING PIPE	
18	F0862847000	2	SCREW M8X45 UNI 5737	
19	59076934	1	COMMAND LEVER	
20	F0837521000	1	GRIP	
21	58179546	1	SMALL COLUMN	
22	58177698	1	VALVE	
23	58076992	1	FLEXIBLE HOSE	
24	58076993	1	FLEXIBLE HOSE	
25	F0843109020	9	PIPE FITTING	
26	F0824110000	25	COPPER WASHER 3/8 GAS	
27	59077296	1	PIPE	
28	59077297	1	PIPE	
29	58172015	1	PIPE FITTING	
30	59079371	1	PRESSURE PIPE	
31	59077299	1	PIPE	
32	P241171000000	1	VALVE	
33	59077927	1	PRESSURE PIPE	
34	59079359	1	EXHAUST	

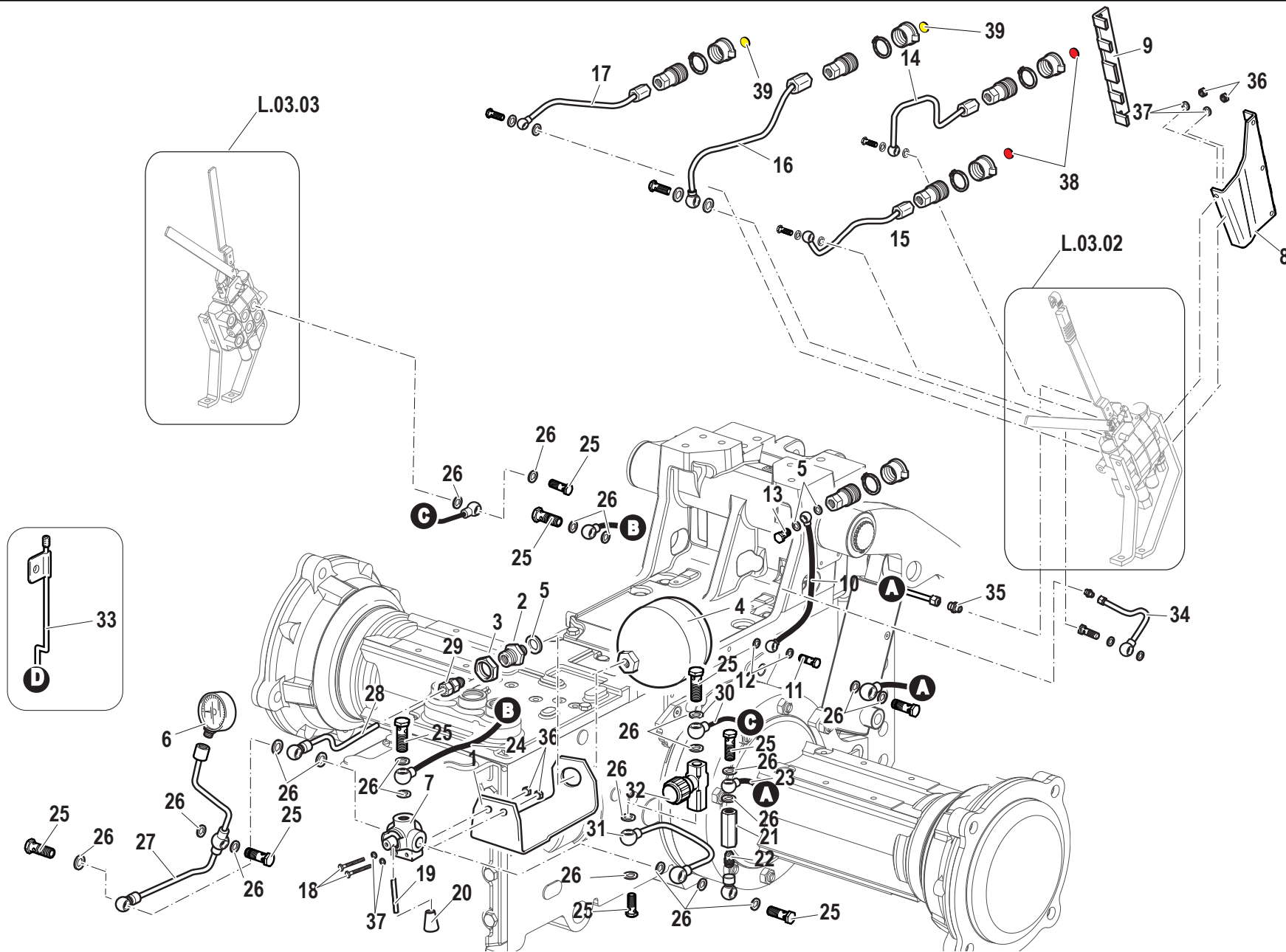
SERIAL

**ALLESTIMENTO CON SOSPENSIONE IDRAULICA**

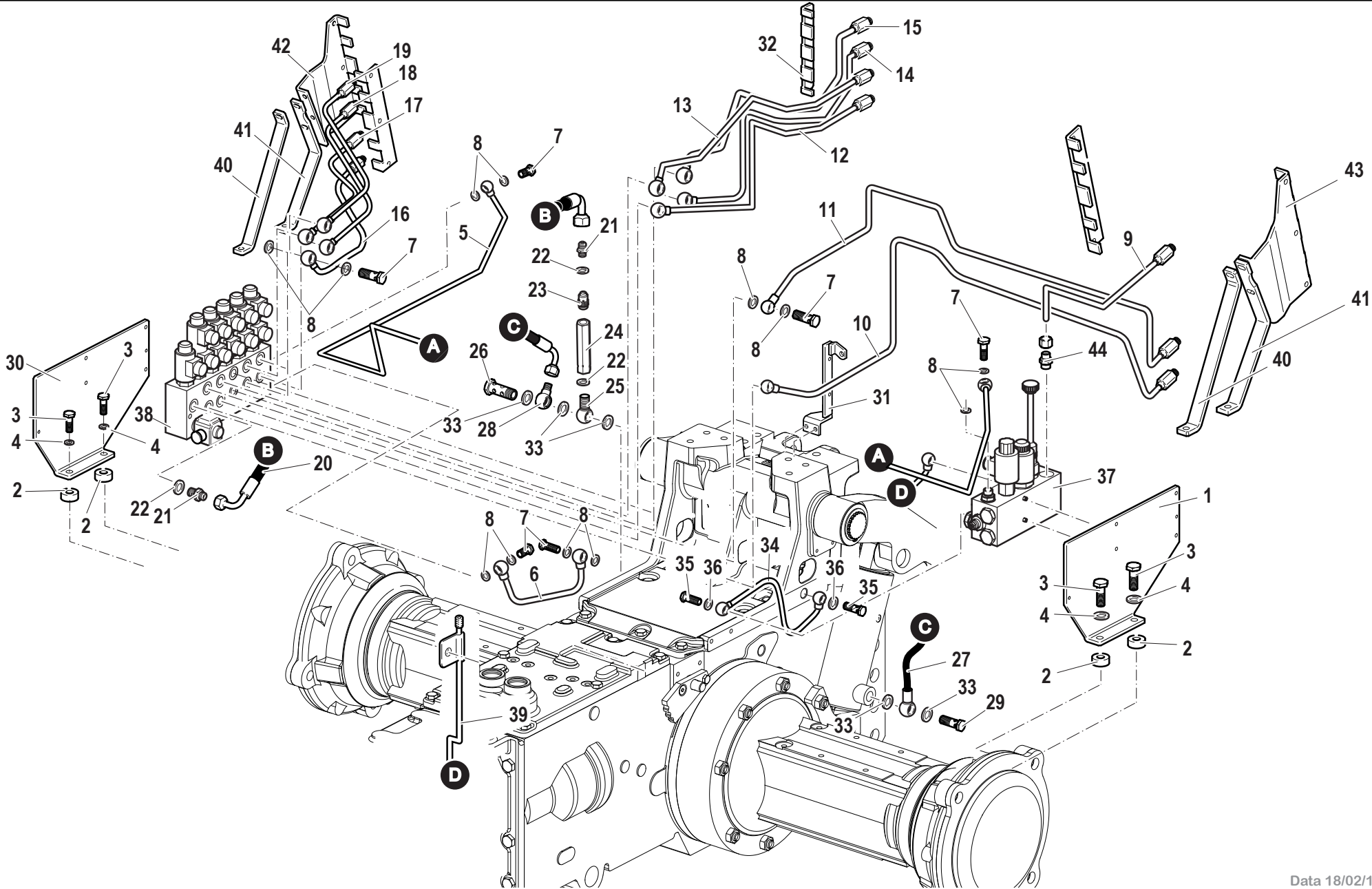
Hp 75

CODE REV

**L.02.10.L60007\_0**



<b>Pos.</b>	<b>Code</b>	<b>Q.ty</b>	<b>Description</b>	<b>Notes</b>
35	F0842510025	1	PIPE FITTING	
36	31211080	4	NUT M8	
37	F0843643060	4	WASHER 8	
38	F0852550200	2	DECAL	
39	F0852550210	2	DECAL	



Pos.	Code	Q.ty	Description	Notes
1	56079183	1	BRACKET	
2	56173110	4	SPACER	
3	31112212	4	SCREW TE M10X35 UNI 5739	
4	F0843755000	4	WASHER 10	
5	59077551	1	PIPE	
6	59077553	1	EXHAUST	
7	F0843109020	6	PIPE FITTING	
8	P996510000001	12	WASHER	
9	59077554	1	PRESSURE PIPE	
10	59077557	1	DISTRIBUTING PIPE	
11	59077559	1	DISTRIBUTING PIPE	
12	59077560	1	DISTRIBUTING PIPE	
13	59077561	1	DISTRIBUTING PIPE	
14	59077562	1	DISTRIBUTING PIPE	
15	59077563	1	DISTRIBUTING PIPE	
16	59077565	1	DISTRIBUTING PIPE	
17	59077567	1	DISTRIBUTING PIPE	
18	59077569	1	DISTRIBUTING PIPE	
19	59077571	1	DISTRIBUTING PIPE	
20	58077573	1	FLEXIBLE HOSE	
21	30000197	2	NIPPLE	
22	F0824110000	3	COPPER WASHER 3/8 GAS	
23	58177698	1	VALVE	
24	58179546	1	SMALL COLUMN	
25	58077666	1	EYELET	
26	30000787	1	HOLLOW SCREW 18x1,5	
27	58070513	1	FLEXIBLE HOSE	
28	F0842510020	1	PIPE FITTING	
29	F0843110010	1	THREADED TERMINAL END M18x1,5	
30	56079182	1	BRACKET	
31	59077532	1	FIXING BRACKET	
32	56077535	1	BRACKET	
33	F0824113000	5	COPPER WASHER 18X24/1,5	
34	59077552	1	EXHAUST	

SERIAL

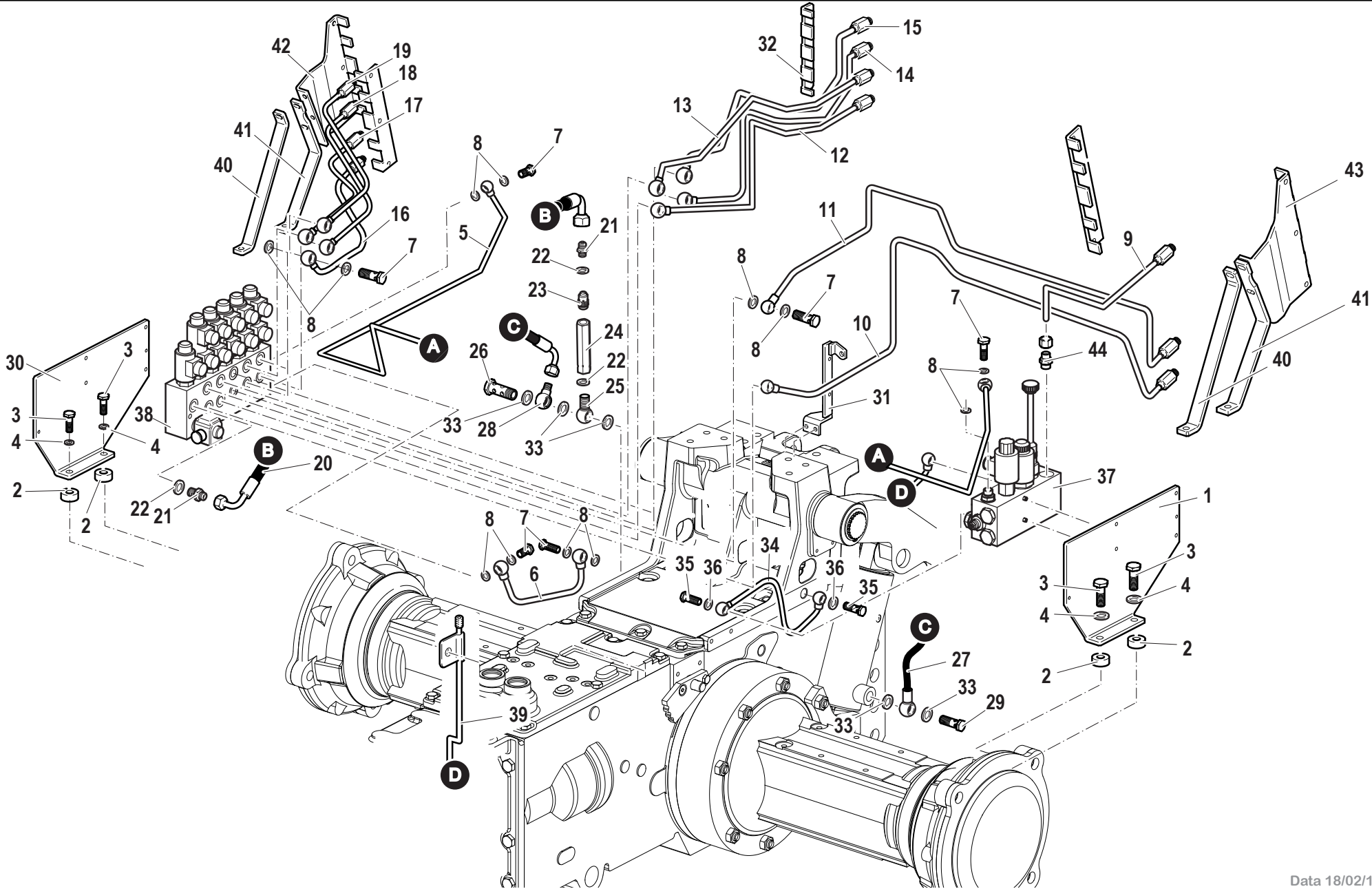
**ALLESTIMENTO DISTRIBUTORI**

Hp 75

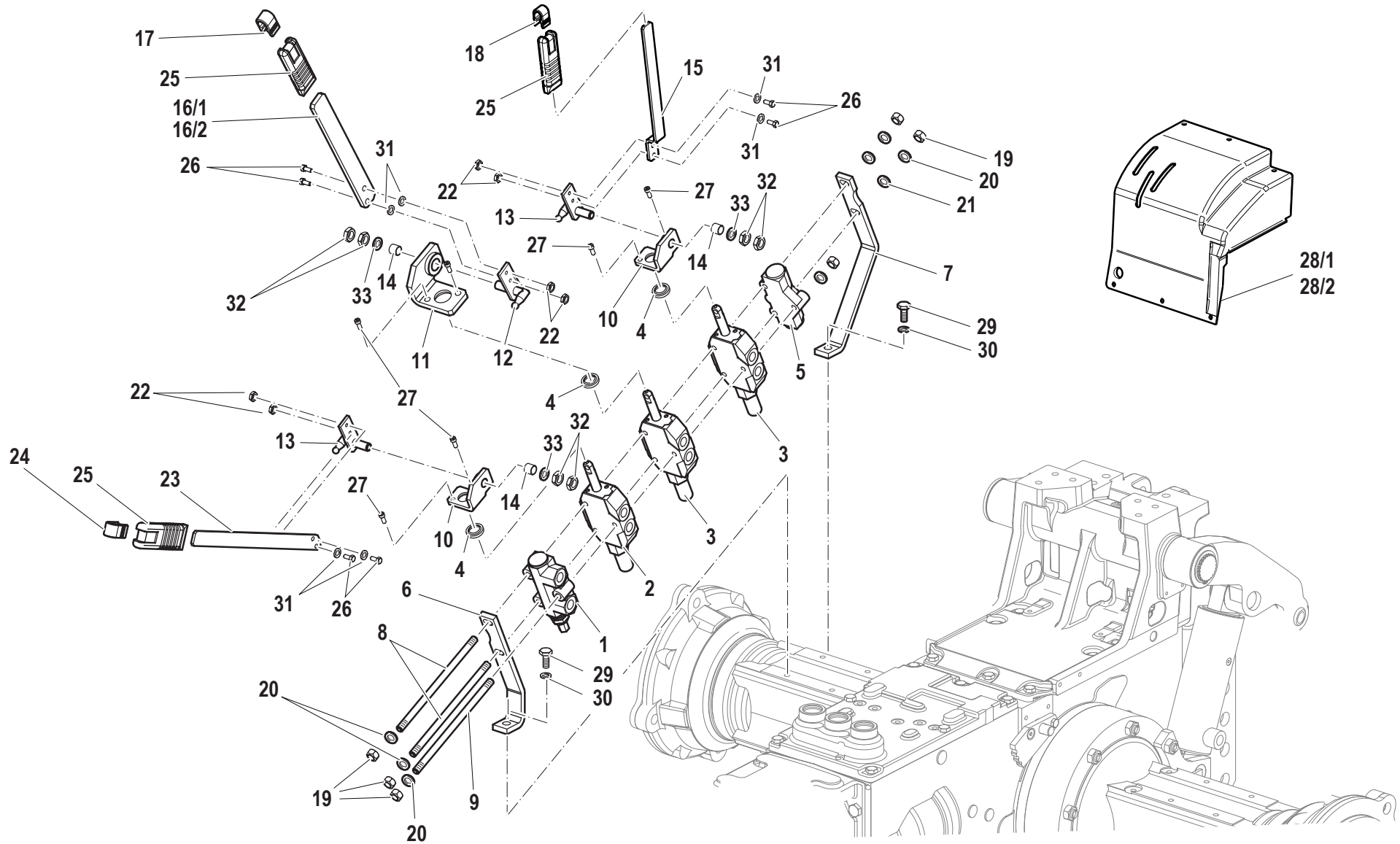
CODE REV

**L.02.11.L60007\_0**





Pos.	Code	Q.ty	Description	Notes
35	F0843116000	2	PIPE FITTING 1/2	
36	P439294000001	2	WASHER	
37	58177765	1	LOCKING MECHANISM	
38	58177766	1	LOCKING MECHANISM	
39	59077870	1	PRESSURE PIPE	
40	56176859	2	SUPPORT	
41	56176887	2	SUPPORT	
42	56176797	1	LEFT BRACKET	
43	56176847	1	RIGHT YOKE	
44	58172015	1	PIPE FITTING	



Pos.	Code	Q.ty	Description	Notes
1	58176872	1	HEAD	
2	58176874	1	S.A. VALVE	
3	58176876	2	D.A. VALVE	
4	58176938	3	GASKET	
5	58172489	1	COVER	
6	56179201	1	FRONT SUPPORT	
7	56176859	1	SUPPORT	
8	56178970	2	ROD	
9	58172017	1	ROD	
10	59076261	2	SUPPORT	
11	59076262	1	SUPPORT	
12	59076264	2	LEVER	
13	59076263	1	LEVER	
14	P000000309111	3	BUSHING	
15	56176854	1	COMMAND LEVER	
17	58176866	1	INSERT	
18	58176867	1	INSERT	
19	31211080	6	NUT M8	
20	F0843643060	6	WASHER 8	
21	31411084	2	WASHER 8,4x17	
22	31211050	6	NUT M5	
23	56176858	1	LEVER	
24	58175211	1	INSERT	
25	58175187	3	KNOB	
26	F0861929060	6	SCREW M5X12 UNI 5739	
27	P000000005113	6	SCREW M5X12 UNI 5931 8G	
29	31112219	2	SCREW TE M10X25 UNI 5739	
30	F0843755000	2	WASHER 10	
31	F0843561000	6	WASHER 5	
32	F0814627000	6	NUT M10	
33	31423105	3	SPRING WASHER 10,5	
16.1	56176855	1	LEVER	
16.2	56176864	1	LEVER	
28.1	57379204	1	COVER	

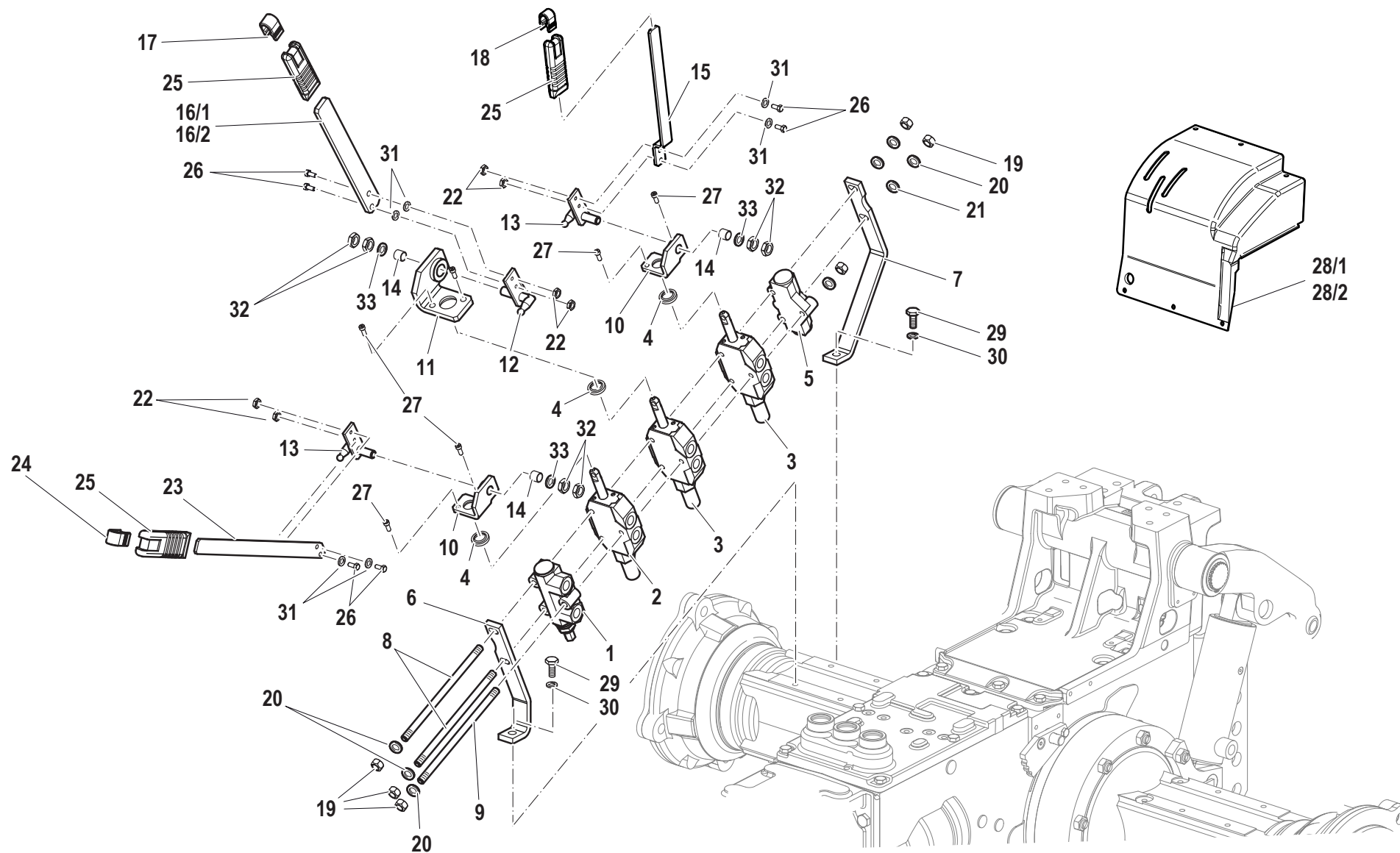
SERIAL

**LEVE DISTRIBUTORI**

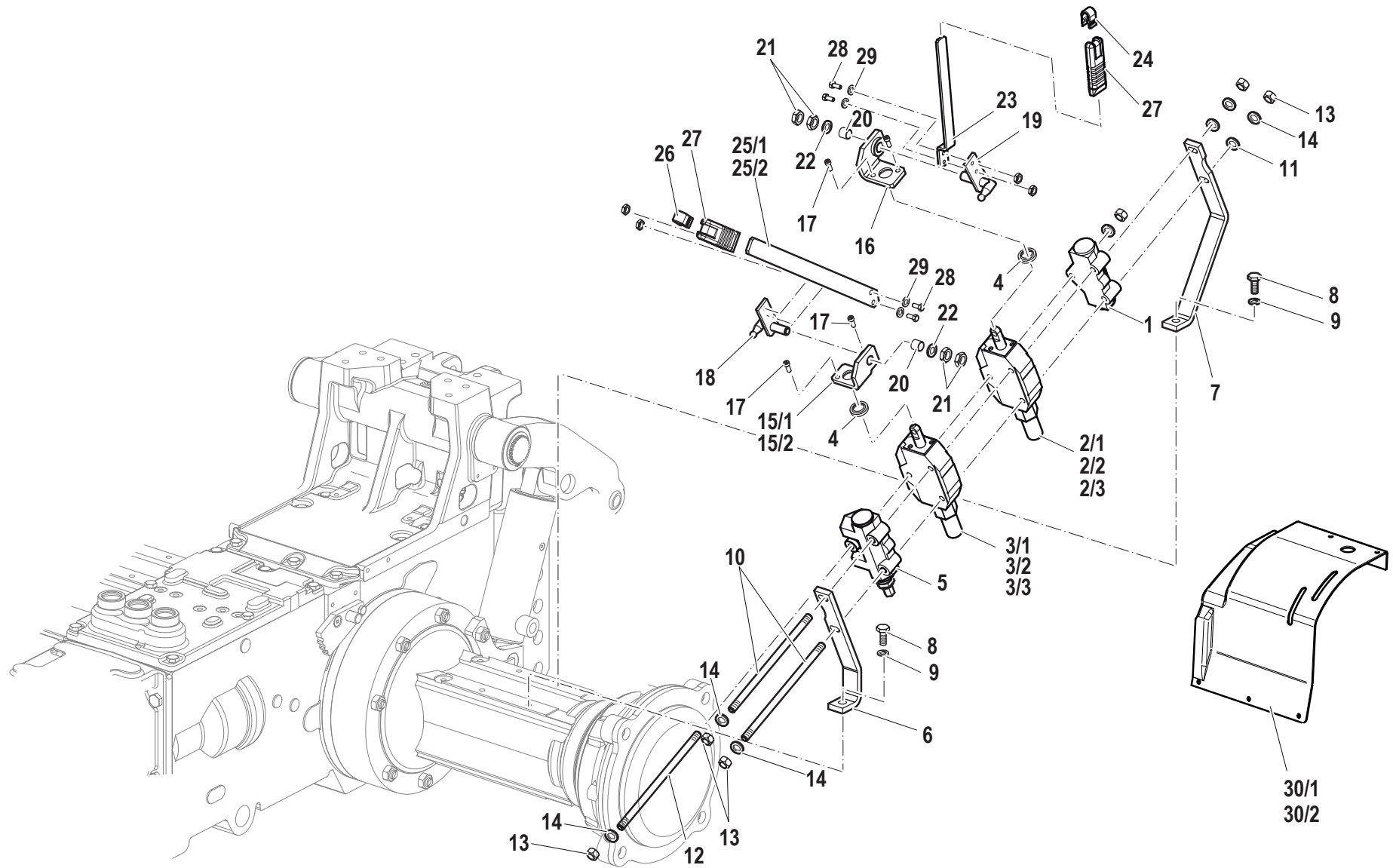
Hp 75

CODE REV

**L.03.01.L60007\_0**



Pos.	Code	Q.ty	Description	Notes
28.2	57379366	1	COVER	



Pos.	Code	Q.ty	Description	Notes
1	58176872	1	HEAD	
4	58176938	2	GASKET	
5	58176873	1	COVER	
6	56179200	1	FRONT SUPPORT	
7	56176859	1	SUPPORT	
8	31112219	2	SCREW TE M10X25 UNI 5739	
9	F0843755000	2	WASHER 10	
10	56176997	2	ROD	
11	31411084	2	WASHER 8,4x17	
12	58172016	1	ROD	
13	31211080	6	NUT M8	
14	F0843643060	6	WASHER 8	
16	59076262	1	SUPPORT	
17	P000000005113	4	SCREW M5X12 UNI 5931 8G	
18	59076263	1	LEVER	
19	59076264	1	LEVER	
20	P000000309111	2	BUSHING	
21	F0814627000	4	NUT M10	
22	31423105	2	SPRING WASHER 10,5	
23	56176854	1	COMMAND LEVER	
24	58175188	1	INSERT	
26	58175211	1	INSERT	
27	58175187	2	KNOB	
28	F0861929060	4	SCREW M5X12 UNI 5739	
29	F0843561000	4	WASHER 5	
2/1	58176875	1	D.A. VALVE	
2/2	58176876	1	D.A. VALVE	
3/1	58176874	1	S.A. VALVE	
3/3	58176877	1	D.A. VALVE	
15.1	59076261	1	SUPPORT	
15.2	59076499	1	SUPPORT	
25/1	56176855	1	LEVER	
25/2	56176864	1	LEVER	
30/1	57379205	1	COVER	

SERIAL

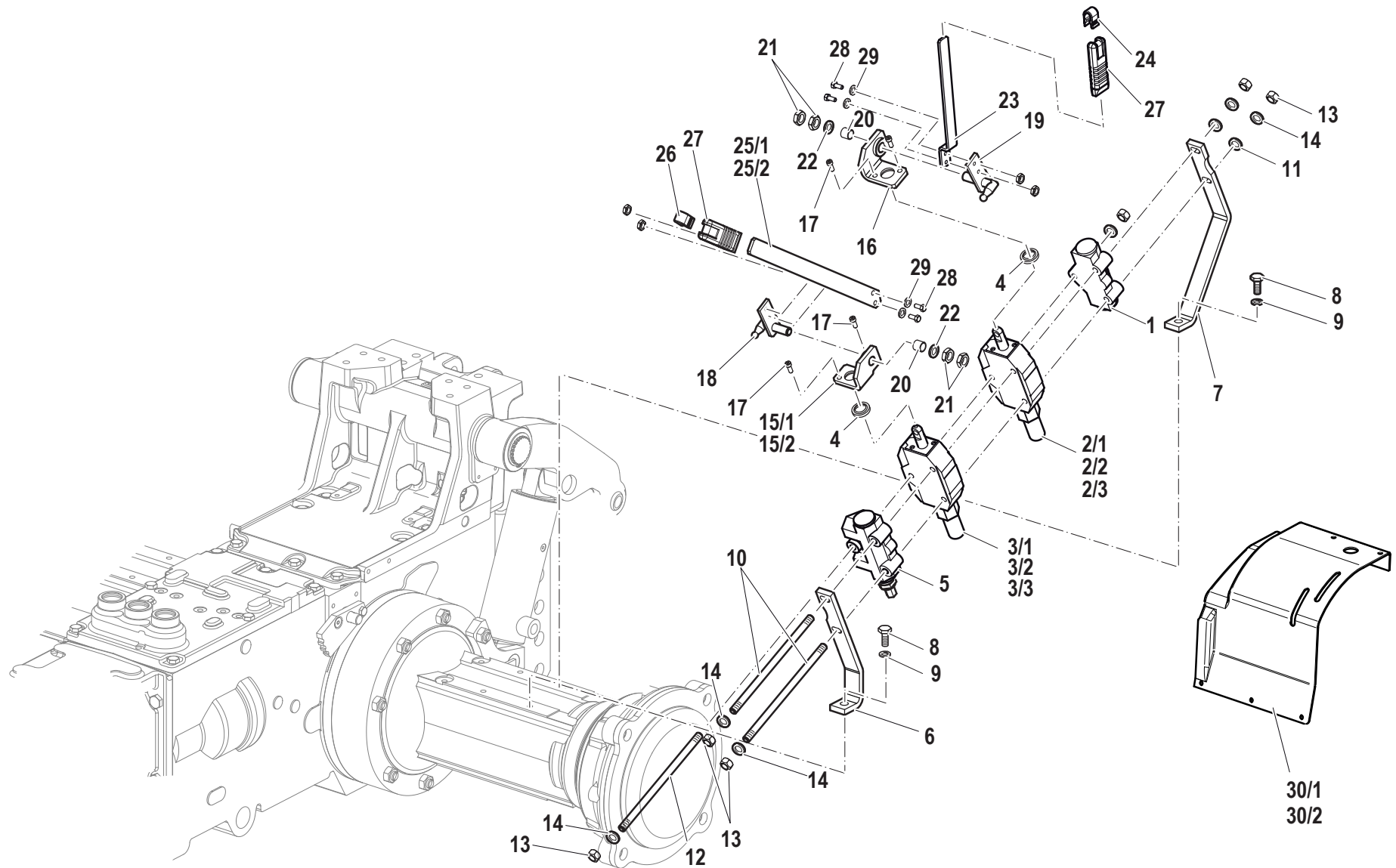
LEVE DISTRIBUTORI

Hp 75

CODE REV

L.03.02.L60007\_0





Pos.	Code	Q.ty	Description	Notes
30/2	57379367	1	COVER	



Pos.	Code	Q.ty	Description	Notes
1	58176872	1	HEAD	
2	58176874	1	S.A. VALVE	
3	58177306	1	S.A. VALVE	
4	58176938	2	GASKET	
5	58172489	1	COVER	
6	56179200	1	FRONT SUPPORT	
7	56176859	1	SUPPORT	
8	31112211	2	SCREW TE M10X30 UNI 5739	
9	F0843755000	2	WASHER 10	
10	56176997	2	ROD	
11	58172016	1	ROD	
12	56176848	2	SMALL COLUMN	
13	31211080	4	NUT M8	
14	F0843643060	6	WASHER 8	
15	59076262	1	SUPPORT	
16	59076261	1	SUPPORT	
17	P000000005113	4	SCREW M5X12 UNI 5931 8G	
18	59076264	1	LEVER	
19	59076263	1	LEVER	
20	P000000309111	2	BUSHING	
21	F0814627000	4	NUT M10	
22	31423105	2	SPRING WASHER 10,5	
23	56176854	1	COMMAND LEVER	
24	58175188	1	INSERT	
25	56176858	1	LEVER	
26	58175211	1	INSERT	
27	58175187	2	KNOB	
28	31211050	4	NUT M5	
29	F0843561000	4	WASHER 5	
30	F0861929060	4	SCREW M5X12 UNI 5739	
31/1	57379338	1	COVER	
31/2	57376962	1	COVER	

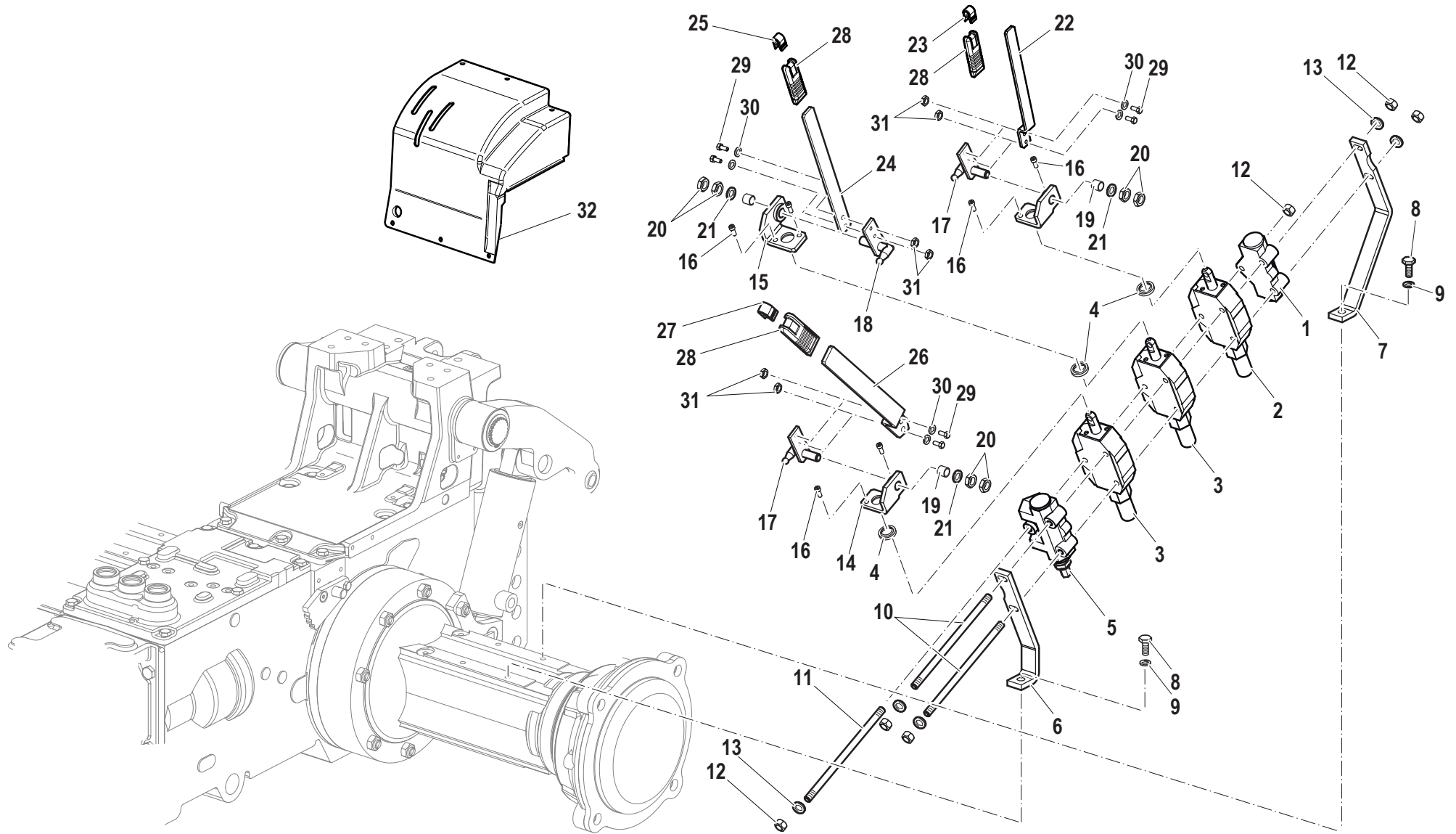
SERIAL

LEVE DISTRIBUTORI

Hp 75

CODE REV

L.03.03.L60007\_0



Pos.	Code	Q.ty	Description	Notes
1	58176872	1	HEAD	
2	58176874	1	S.A. VALVE	
3	58176876	2	D.A. VALVE	
4	58176938	3	GASKET	
5	58176873	1	COVER	
6	56177786	1	FRONT SUPPORT	
7	56176859	1	SUPPORT	
8	31112219	2	SCREW TE M10X25 UNI 5739	
9	F0843755000	2	WASHER 10	
10	56176890	2	ROD	
11	58172018	1	ROD	
12	31211080	6	NUT M8	
13	F0843643060	6	WASHER 8	
14	59076261	2	SUPPORT	
15	59076262	1	SUPPORT	
16	P000000005113	6	SCREW M5X12 UNI 5931 8G	
17	59076263	2	LEVER	
18	59076264	1	LEVER	
19	P000000309111	3	BUSHING	
20	F0814627000	6	NUT M10	
21	31423105	3	SPRING WASHER 10,5	
22	56176854	1	COMMAND LEVER	
23	58175188	1	INSERT	
24	56176855	1	LEVER	
25	58175211	1	INSERT	
26	56176856	1	LEVER	
27	58176867	1	INSERT	
28	58175187	3	KNOB	
29	F0861929060	6	SCREW M5X12 UNI 5739	
30	F0843561000	6	WASHER 5	
31	31211050	6	NUT M5	
32	57377288	1	COVER	

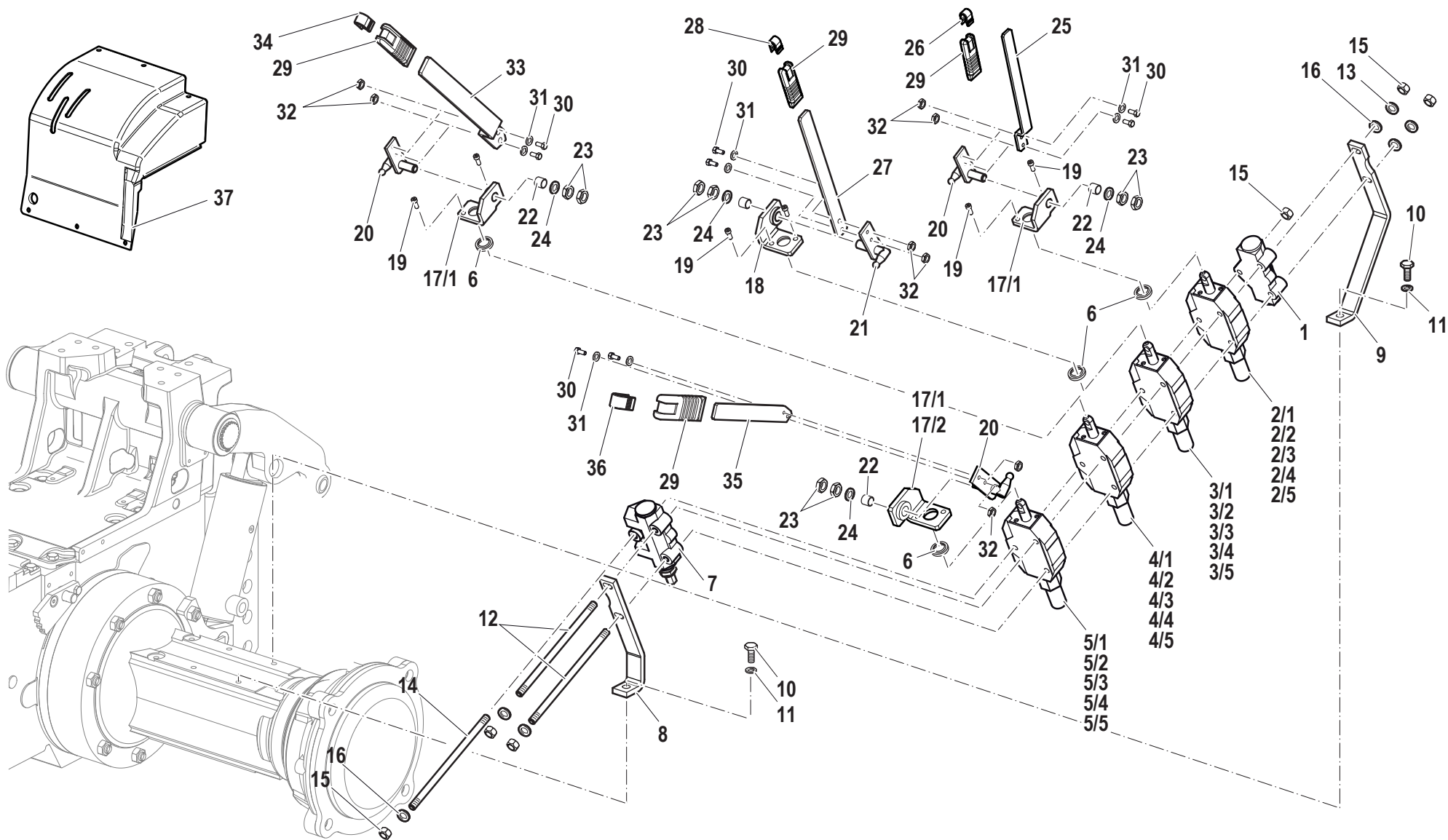
SERIAL

LEVE DISTRIBUTORI

Hp 75

CODE REV

L.03.04.L60007\_0



Pos.	Code	Q.ty	Description	Notes
1	58176872	1	HEAD	
6	58176938	4	GASKET	
7	58176873	1	COVER	
8	56177786	1	FRONT SUPPORT	
9	56176859	1	SUPPORT	
10	31112219	2	SCREW TE M10X25 UNI 5739	
11	F0843755000	2	WASHER 10	
12	56176890	2	ROD	
13	31411084	2	WASHER 8,4x17	
14	58172018	1	ROD	
15	31211080	6	NUT M8	
16	F0843643060	6	WASHER 8	
18	59076262	1	SUPPORT	
19	P00000005113	4	SCREW M5X12 UNI 5931 8G	
20	59076263	3	LEVER	
21	59076264	1	LEVER	
22	P000000309111	2	BUSHING	
23	F0814627000	4	NUT M10	
24	31423105	2	SPRING WASHER 10,5	
25	56176854	1	COMMAND LEVER	
26	58175188	1	INSERT	
27	56176855	1	LEVER	
28	58175211	1	INSERT	
29	58175187	4	KNOB	
30	F0861929060	8	SCREW M5X12 UNI 5739	
31	F0843561000	8	WASHER 5	
32	31211050	8	NUT M5	
33	56176856	1	LEVER	
34	58176867	1	INSERT	
35	56176857	1	COMMAND LEVER	
36	58176866	1	INSERT	
37	57379384	1	COVER	
2/1	58176874	1	S.A. VALVE	
2/2	58176874	1	S.A. VALVE	

SERIAL

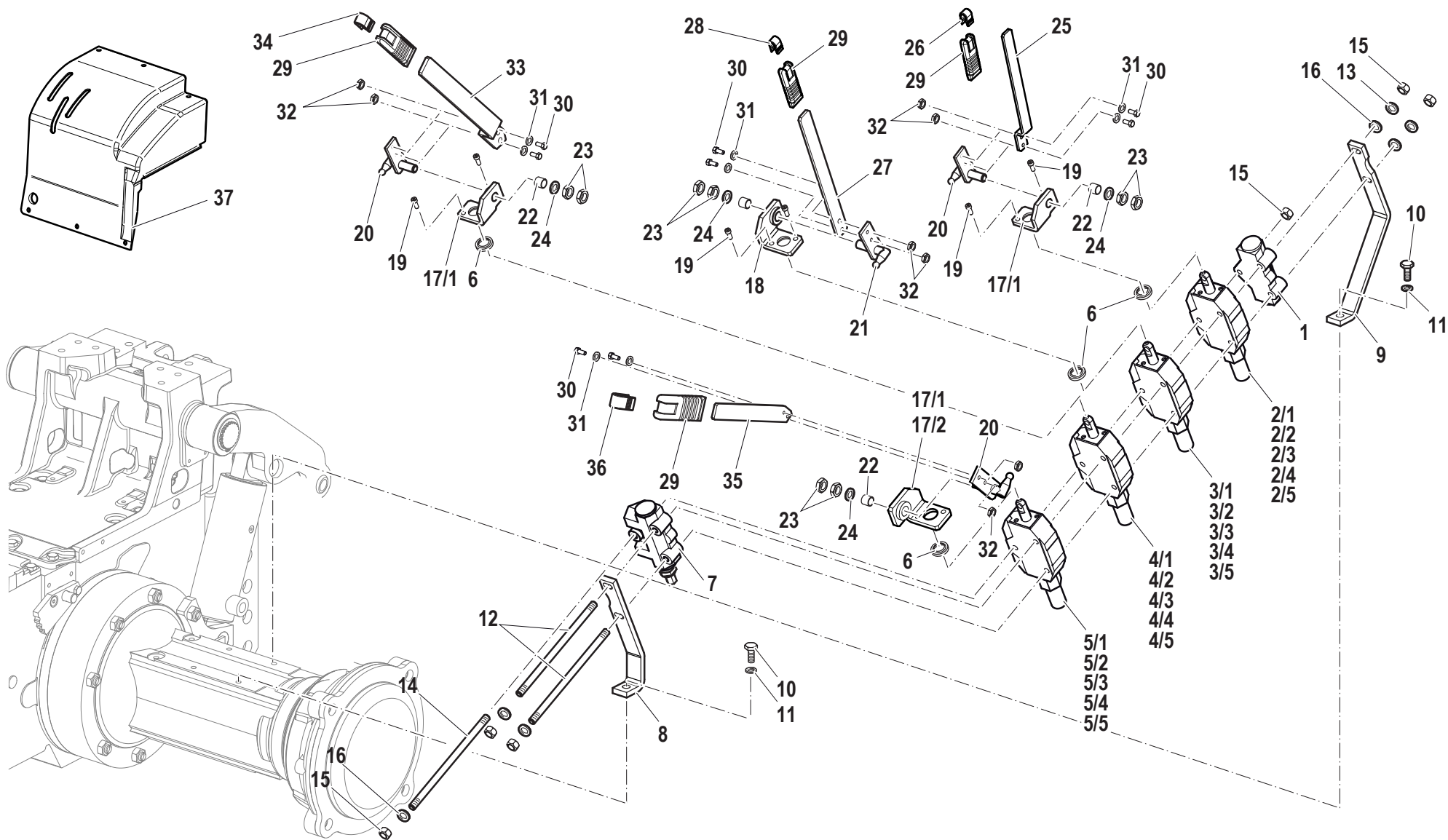
LEVE DISTRIBUTORI

Hp 75

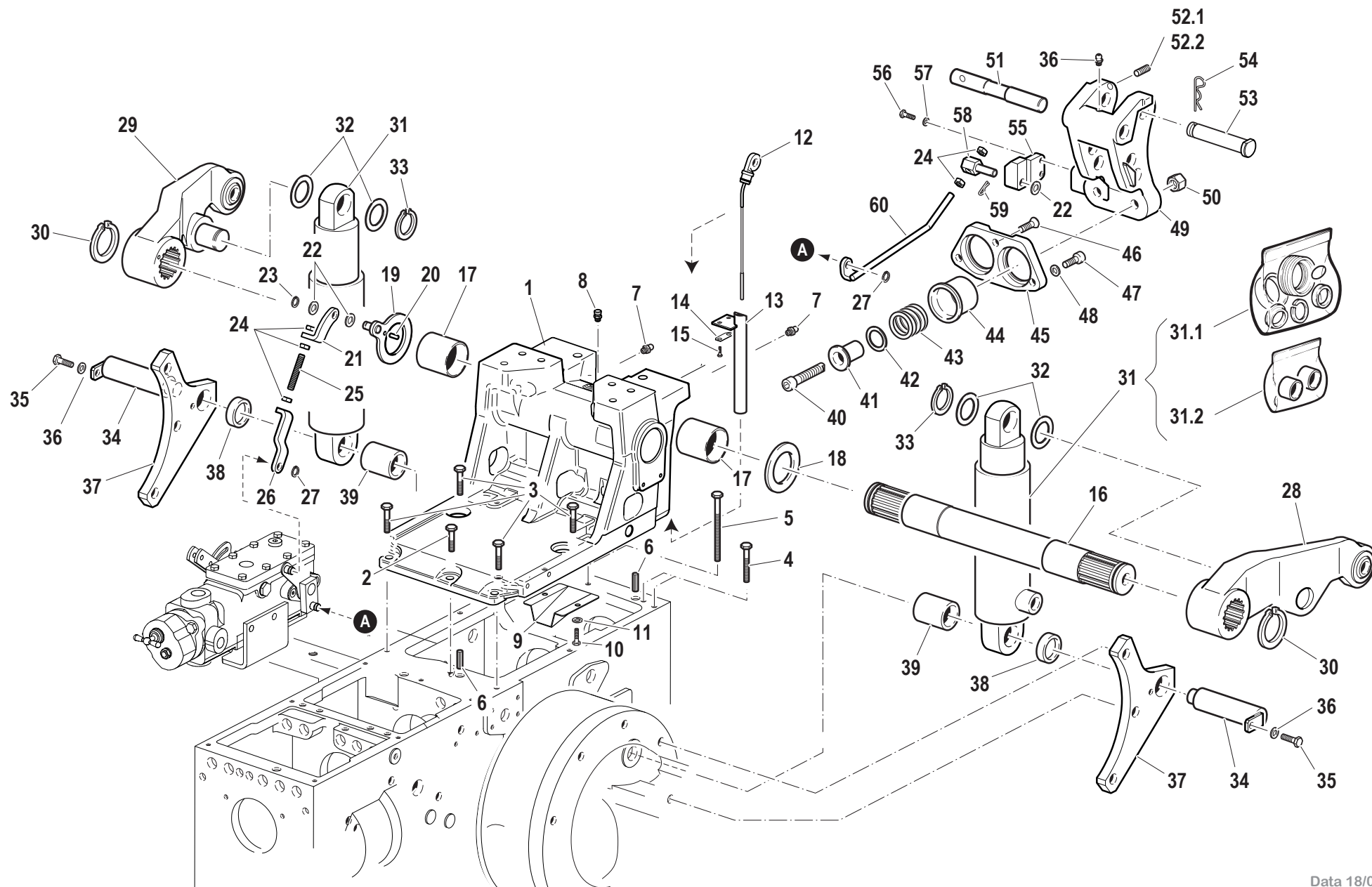
CODE REV

L.03.05.L60007\_0





Pos.	Code	Q.ty	Description	Notes
2/3	58176874	1	S.A. VALVE	
2/4	58176876	1	D.A. VALVE	
2/5	58176876	1	D.A. VALVE	
3/1	58176876	1	D.A. VALVE	
3/2	58176876	1	D.A. VALVE	
3/3	58176876	1	D.A. VALVE	
3/4	58176876	1	D.A. VALVE	
3/5	58176874	1	S.A. VALVE	
4/1	58176876	1	D.A. VALVE	
4/2	58176876	1	D.A. VALVE	
4/3	58176876	1	D.A. VALVE	
4/4	58176875	1	D.A. VALVE	
4/5	58176876	1	D.A. VALVE	
5/1	58176874	1	S.A. VALVE	
5/2	58176875	1	D.A. VALVE	
5/3	58176877	1	D.A. VALVE	
5/4	58176877	1	D.A. VALVE	
5/5	58176875	1	D.A. VALVE	
17/1	59076261	3	SUPPORT	
17/2	59076499	1	SUPPORT	



Pos.	Code	Q.ty	Description	Notes
1	51175941	1	SUPPORT	
2	31112219	1	SCREW TE M10X25 UNI 5739	
3	31112211	4	SCREW TE M10X30 UNI 5739	
4	F0863429000	4	SCREW M10X45 UNI 5737	
5	31112217	1	SCREW TE M10X80 UNI 5737	
6	56570016	2	CYLINDRICAL PLUG	
7	F0826056000	3	LUBRICATOR M10 UNI 7663A	
8	58075603	1	PLUG	
9	56173638	1	GUARD	
10	31112149	2	SCREW TE M8X12 UNI 5739 8G	
11	F0843643060	2	WASHER 8	
12	58179483	1	OIL LEVEL ROD	
13	59079485	1	PIPE	
14	52071702	1	CLAMPING PLATE	
15	31112082	2	SCREW TE M6X12 UNI 5739 8G	
16	56376260	1	SHAFT	
17	58170291	2	BUSHING	
18	56370288	1	SHIM	
19	590A0773	1	SHIM	
21	56377434	1	BRACKET	
22	31411104	3	WASHER 10,5x18	
23	F0801050000	1	SEEGER RING	
24	F0814569000	5	NUT	
25	31100789	1	SCREW M8x70 UNI 5923 45H ZNT/B	102-11
26	56376259	1	BRACKET	
27	35211070	2	SEEGER RING	
28	59070289	1	LIFTING ARM	
29	59070290	1	RIGHT ARM	
30	F0801331050	2	SEEGER RING	
31	58170245	2	LIFTING CYLINDER	
32	56370282	4	SHIM	
33	F0801241010	2	SEEGER RING	
34	56375860	2	HINGE PIN	
35	31112150	2	SCREW TE M8X20 UNI 5739 8G	

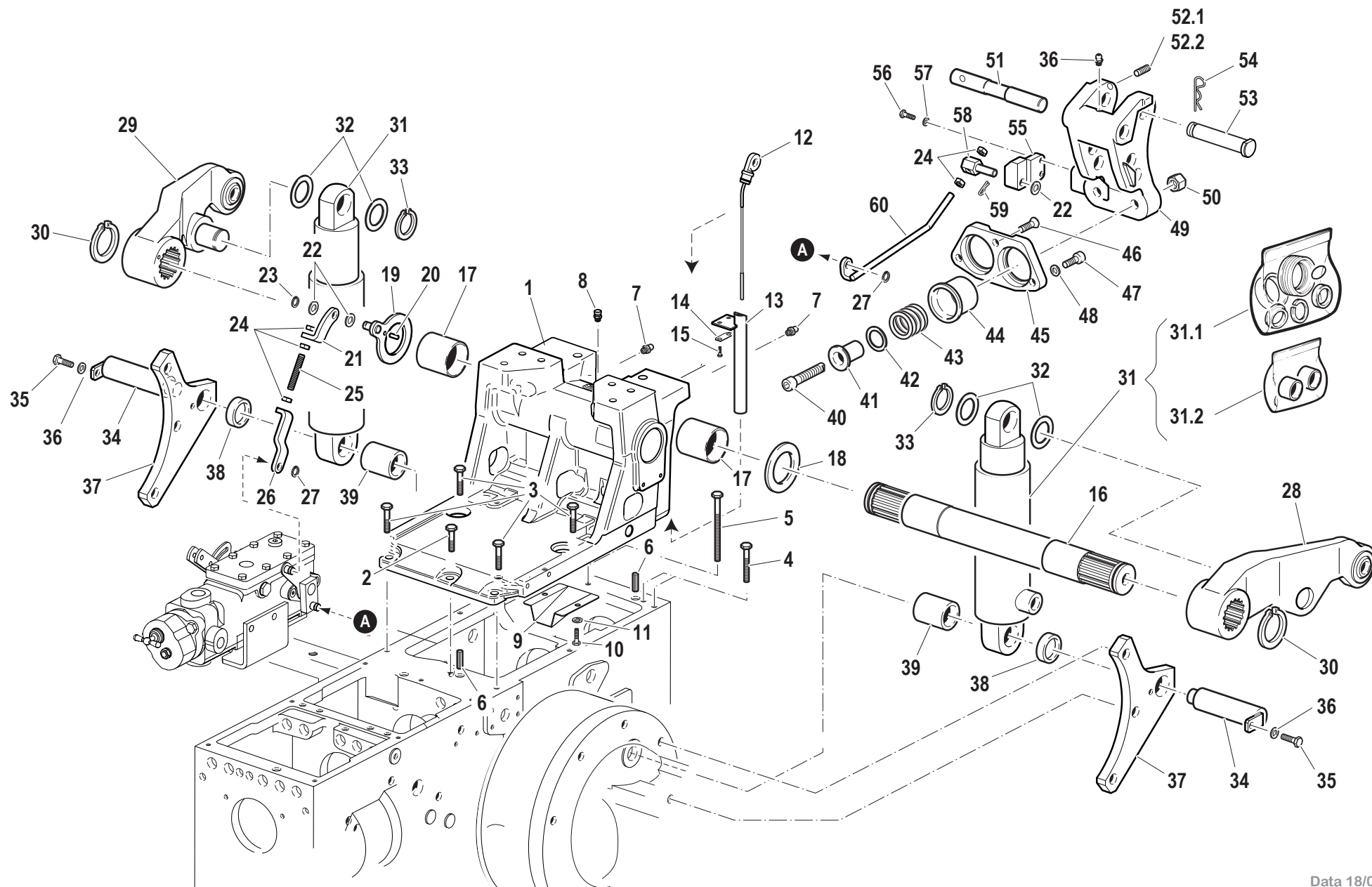
SERIAL

**SOLLEVATORE IDRAULICO SFORZO CONTROLLATO**

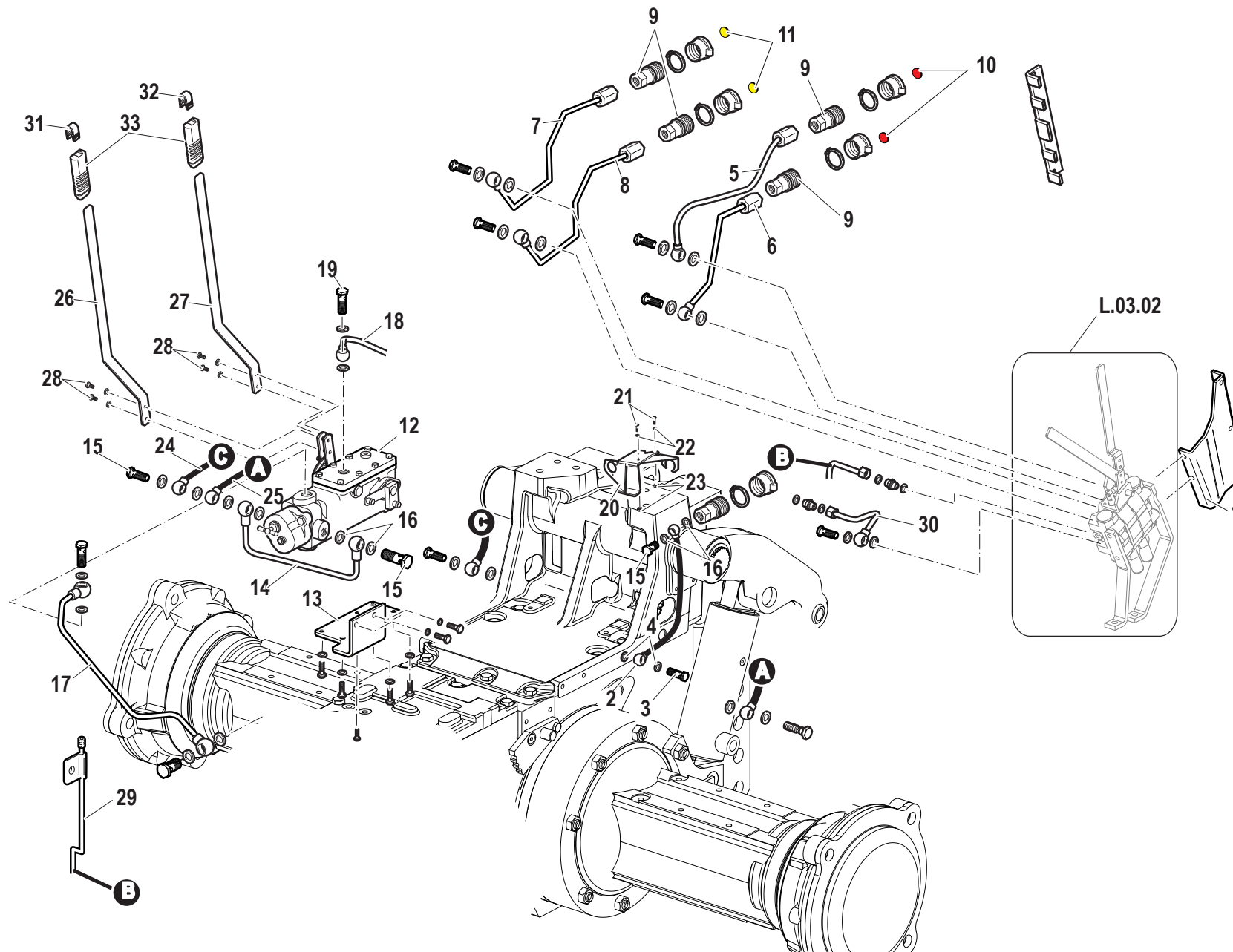
Hp 75

CODE REV

**M.01.01.L60007\_0**

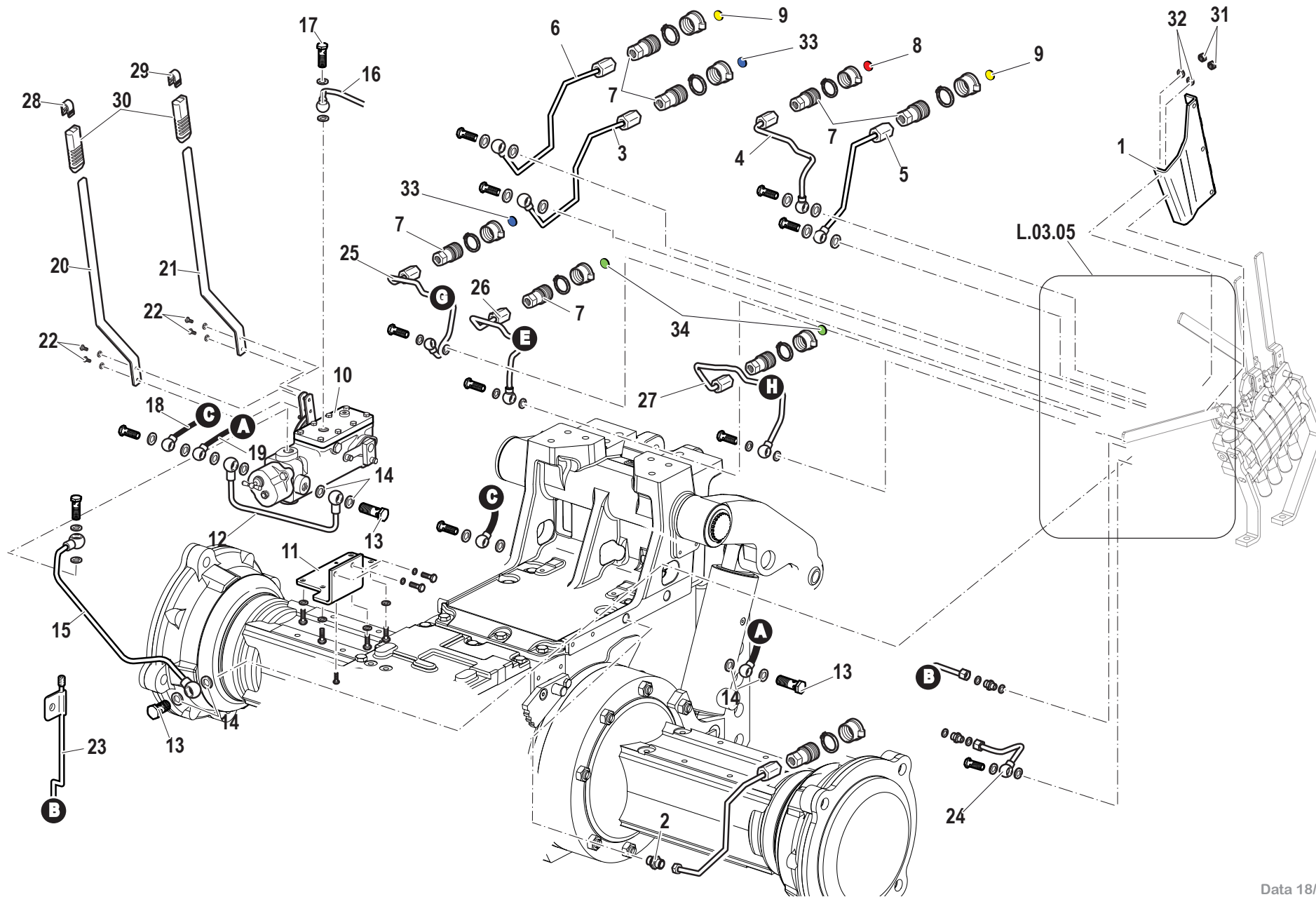


Pos.	Code	Q.ty	Description	Notes
36	30000005	1	LUBRICATOR M10	
37	56170283	2	BRACKET	
38	56175859	2	SPACER	
39	56170285	2	SPACER	
40	50973415	2	SCREW	
41	56073414	2	GUIDE	
42	56373426		SHIM	
42	56373427		SHIM	
42	56373428		SHIM	
42	58025869		SHIM	
43	58073411	2	SPRING	
44	56073413	2	SLEEVE	
45	56073416	1	FLANGE	
46	F0863208050	1	SCREW M10X20 UNI 5933	
47	31152097	2	SCREW TCEI M10X30 UNI 5931	
48	F0843755000	2	WASHER 10	
49	51173371	1	THREE-POINT LINKAGE	
50	31241121	2	SELFLOCK NUT M12	
51	56374574	1	CONNECTING BOLT	
53	56373436	1	PIN	
54	F0851486000	1	SPLIT PIN	
55	59075140	1	SMALL BLOCK	
56	31112093	2	SCREW TE M6X20	
57	F0843570000	2	WASHER 6	
58	56075143	1	HINGE PIN	
59	34110030	1	SPLIT PIN	
60	59077063	1	ROD	
31.1	58171537		GASKET SET	
31.2	58171536		BUSHINGS KIT	
52.1	F0862593050	1	SCREW M8X20 UNI 5927	
52.2	P00000005671	1	SCREW	



Pos.	Code	Q.ty	Description	Notes
1	56176797	1	LEFT BRACKET	
2	58079362	1	EXHAUST HOSE	
3	F0843122000	1	SCREW 22x1,5	
4	F0844273090	2	GASKET 22X28X1,5 CU 99,5	
5	59079194	1	DISTRIBUTING PIPE	
6	59077490	1	DISTRIBUTING PIPE	
7	59077491	1	DISTRIBUTING PIPE	
8	59077492	1	DISTRIBUTING PIPE	
9	F0825980030	4	COUPLING	
10	F0852550200	2	DECAL	
11	F0852550210	2	DECAL	
12	58175191	1	DISTRIBUTOR	
13	56075161	1	FIXING BRACKET	
14	59079355	1	PRESSURE PIPE	
15	F0843116000	3	PIPE FITTING 1/2	
16	F0824141000	4	COPPER WASHER 21x27/1,5	
17	59079357	1	DISTRIBUTING PIPE	
18	59078925	1	EXHAUST	
19	30000244	1	PIPE FITTING	
20	56079361	1	FIXING BRACKET	
21	31112093	2	SCREW TE M6X20	
22	31211060	2	HEXAGONAL NUT M8	
23	F0843570000	2	WASHER 6	
24	58079203	1	FLEXIBLE HOSE	
25	58079202	1	FLEXIBLE HOSE	
26	56076943	1	COMMAND LEVER	
27	56076942	1	COMMAND LEVER	
28	31111090	4	SCREW	
29	59077927	1	PRESSURE PIPE	
30	59079359	1	EXHAUST	
31	58175188	1	INSERT	
32	58175211	1	INSERT	
33	58175187	2	KNOB	





Pos.	Code	Q.ty	Description	Notes
1	56176797	1	LEFT BRACKET	
2	58176891	1	PIPE FITTING	
3	59077493	1	DISTRIBUTING PIPE	
4	59077490	1	DISTRIBUTING PIPE	
5	59077491	1	DISTRIBUTING PIPE	
6	59077492	1	DISTRIBUTING PIPE	
7	F0825980030	4	COUPLING	
8	F0852550200	2	DECAL	
9	F0852550210	2	DECAL	
10	58175191	1	DISTRIBUTOR	
11	56075161	1	FIXING BRACKET	
12	59079355	1	PRESSURE PIPE	
13	F0843116000	3	PIPE FITTING 1/2	
14	F0824141000	6	COPPER WASHER 21x27/1,5	
15	59079358	1	DISTRIBUTING PIPE	
16	59078925	1	EXHAUST	
17	30000244	1	PIPE FITTING	
18	58079203	1	FLEXIBLE HOSE	
19	58079202	1	FLEXIBLE HOSE	
20	56076943	1	COMMAND LEVER	
21	56076942	1	COMMAND LEVER	
22	31111090	4	SCREW	
23	59077927	1	PRESSURE PIPE	
24	59079359	1	EXHAUST	
25	59077494	1	DISTRIBUTING PIPE	
26	59077495	1	DISTRIBUTING PIPE	
27	59077496	1	DISTRIBUTING PIPE	
28	58175188	1	INSERT	
29	58175211	1	INSERT	
30	58175187	6	KNOB	
31	31211080	6	NUT M8	
32	F0843643060	6	WASHER 8	
33	F0852550220	2	DECAL	
34	F0852550230	2	DECAL	

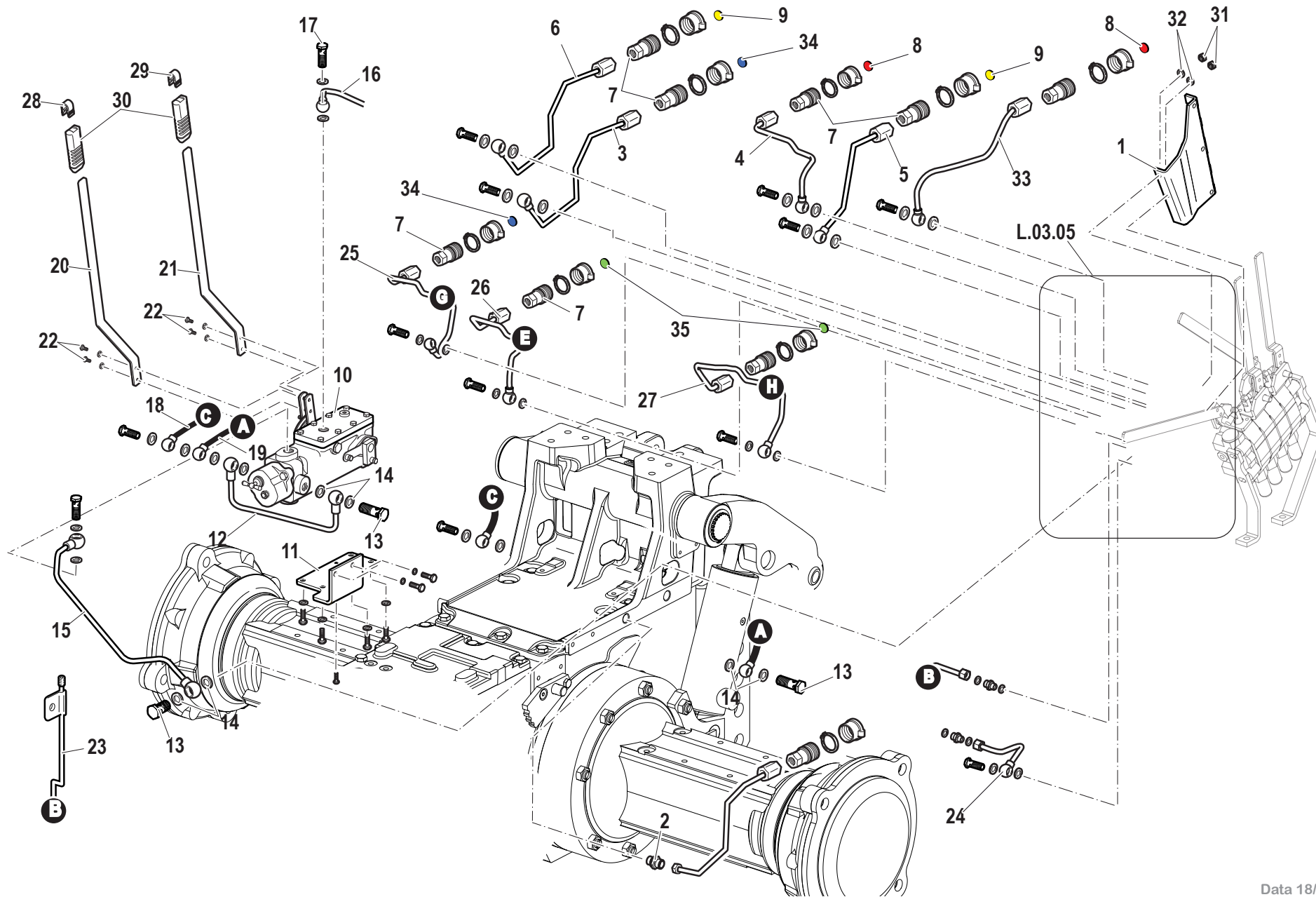
SERIAL

**ALLESTIMENTO DISTRIBUTORI POSIZIONE E SFORZO CONTROLLATI**

Hp 75

CODE REV

**M.02.03.L60007\_0**



Pos.	Code	Q.ty	Description	Notes
1	56176797	1	LEFT BRACKET	
2	58176891	1	PIPE FITTING	
3	59077493	1	DISTRIBUTING PIPE	
4	59077490	1	DISTRIBUTING PIPE	
5	59077491	1	DISTRIBUTING PIPE	
6	59077492	1	DISTRIBUTING PIPE	
7	F0825980030	7	COUPLING	
8	F0852550200	2	DECAL	
9	F0852550210	2	DECAL	
10	58175191	1	DISTRIBUTOR	
11	56075161	1	FIXING BRACKET	
12	59079355	1	PRESSURE PIPE	
13	F0843116000	3	PIPE FITTING 1/2	
14	F0824141000	6	COPPER WASHER 21x27/1,5	
15	59079358	1	DISTRIBUTING PIPE	
16	59078925	1	EXHAUST	
17	30000244	1	PIPE FITTING	
18	58079203	1	FLEXIBLE HOSE	
19	58079202	1	FLEXIBLE HOSE	
20	56076943	1	COMMAND LEVER	
21	56076942	1	COMMAND LEVER	
22	31111090	4	SCREW	
23	59077927	1	PRESSURE PIPE	
24	59079359	1	EXHAUST	
25	59077494	1	DISTRIBUTING PIPE	
26	59077495	1	DISTRIBUTING PIPE	
27	59077496	1	DISTRIBUTING PIPE	
28	58175188	1	INSERT	
29	58175211	1	INSERT	
30	58175187	2	KNOB	
31	31211080	2	NUT M8	
32	F0843643060	2	WASHER 8	
33	59079194	1	DISTRIBUTING PIPE	
34	F0852550220	2	DECAL	

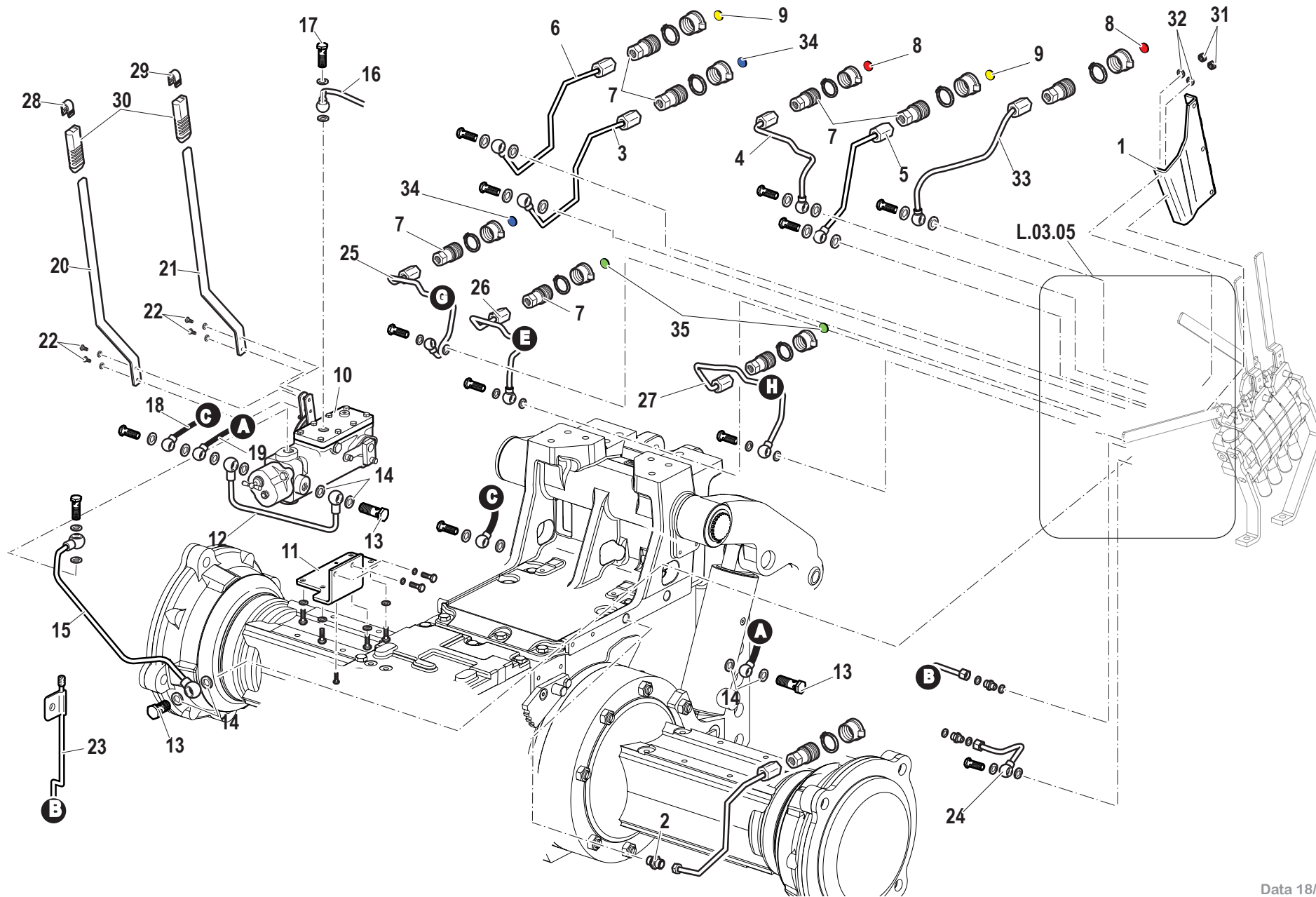
SERIAL

**ALLESTIMENTO DISTRIBUTORI POSIZIONE E SFORZO CONTROLLATI**

Hp 75

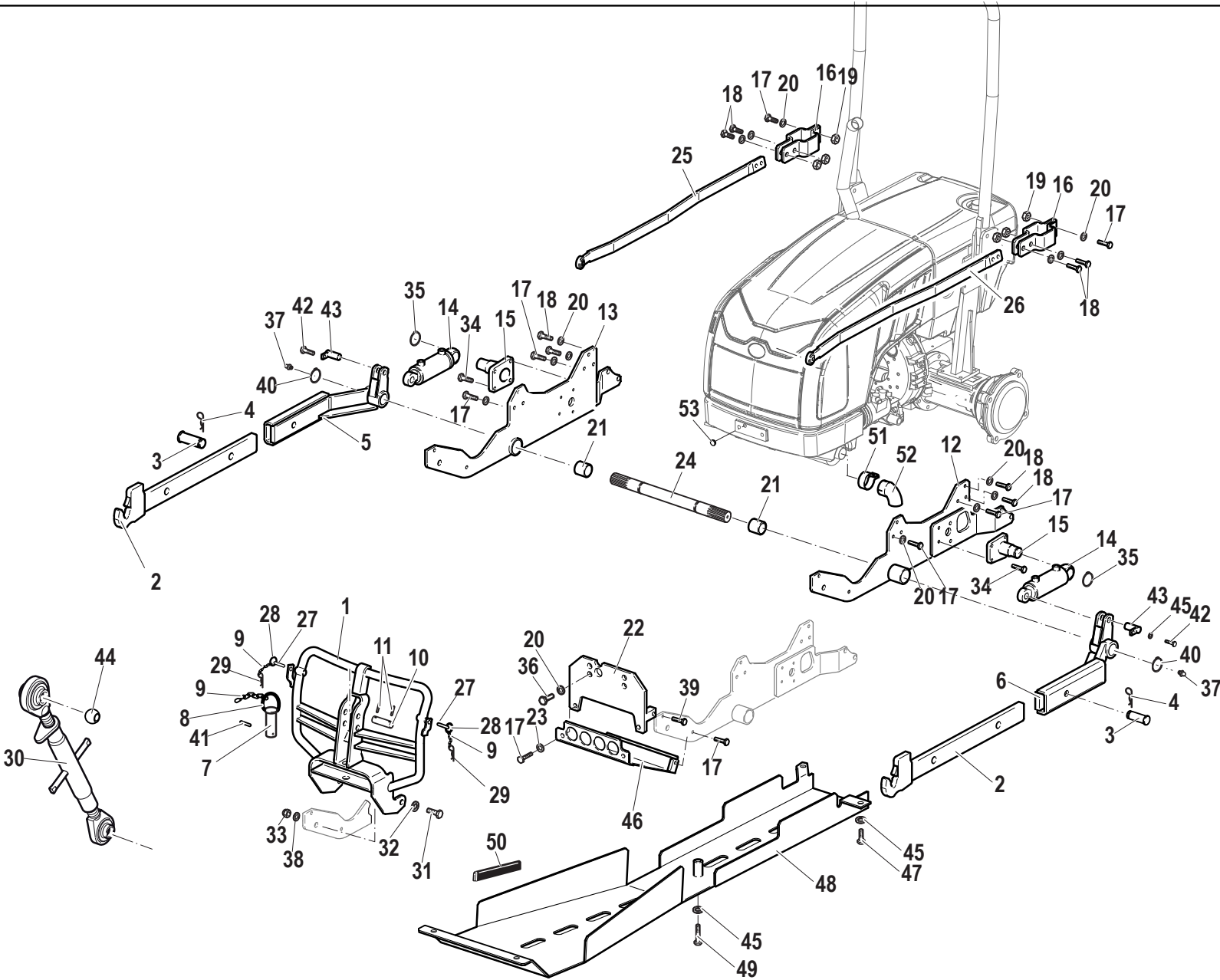
CODE REV

**M.02.04.L60007\_0**



Pos.	Code	Q.ty	Description	Notes
35	F0852550230	2	DECAL	

SOLLEVATORE ANTERIORE



Pos.	Code	Q.ty	Description	Notes
1	59075115	1	FRONT FRAME	
2	59076071	2	ARM	
3	56375105	2	PIN	
4	F0851486000	2	SPLIT PIN	
5	59075102	1	LIFT LEVER	
6	59075095	1	LIFT LEVER	
7	P296116000001	1	PIN	
8	P453569000001	1	SPRING	
9	P827003000003	2	CHAIN	
10	P296122000000	1	PIN	
11	P000000005774	2	SPLIT PIN	
12	59077469	1	SIDE MEMBER	
13	59077470	1	SIDE MEMBER	
14	58175086	2	LIFTING CYLINDER	
15	59075088	2	HINGE PIN	
16	59375116	2	FIXING BRACKET	
17	31112211	2	SCREW TE M10X30 UNI 5739	
18	31112212	4	SCREW TE M10X35 UNI 5739	
19	F0814632000	6	NUT M10	
20	F0843755000	6	WASHER 10	
21	58170291	2	BUSHING	
22	59075639	1	PLATE	
23	F0843921030	2	WASHER 14	
24	56375106	1	SHAFT	
25	59077478	1	ROD	
26	59077479	1	ROD	
27	P296267000000	2	PIN	
28	P985535000100	2	RING	
29	P439149000000	2	SPLIT PIN	
30	P296121000000	1	ARM	
31	P296115000000	2	PIN	
32	31411190	2	WASHER 19x34	
34	F0863311250	4	SCREW M10x1,5x32	
35	F0801297050	2	SEEGER RING	

SERIAL

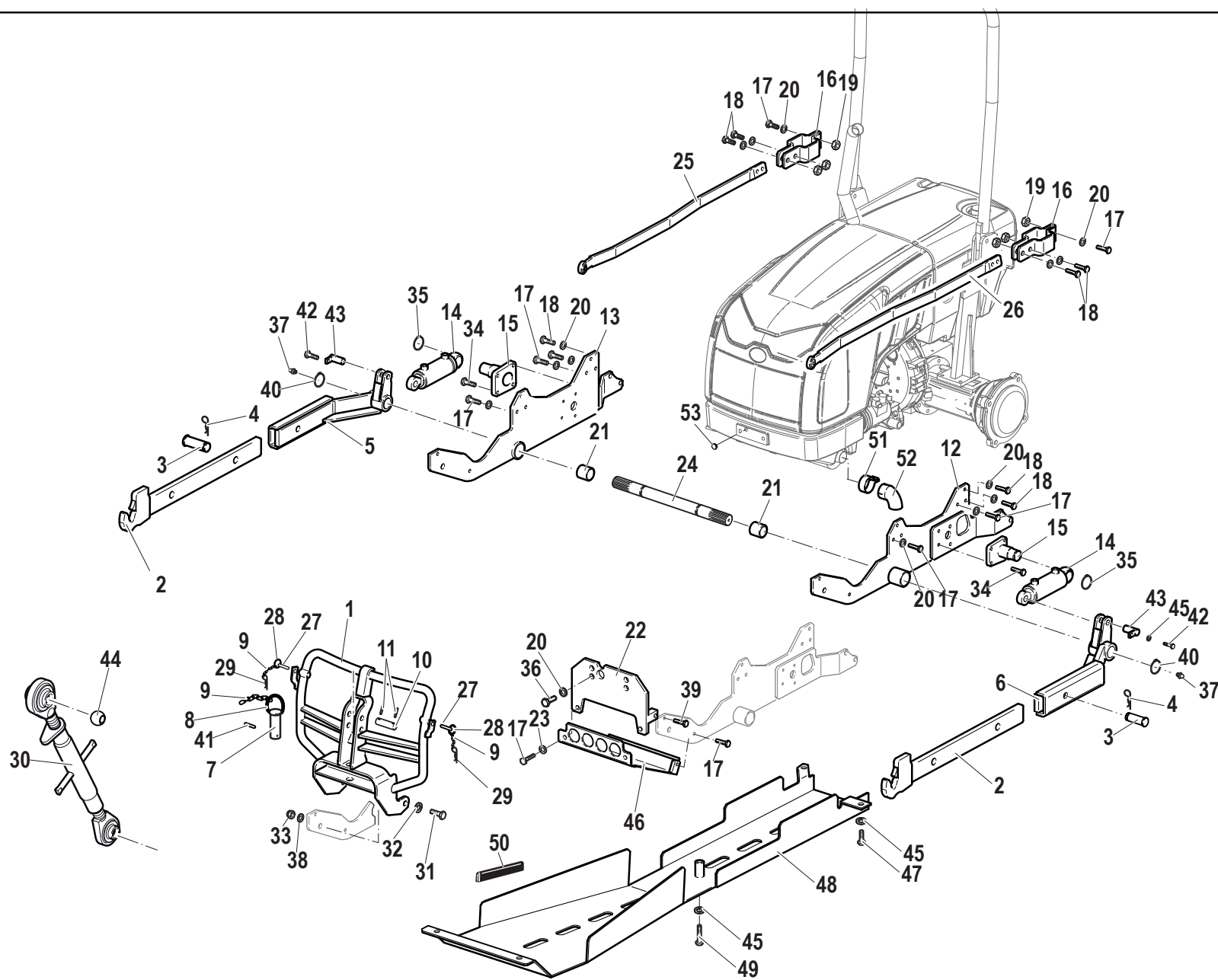
**SOLLEVATORE ANTERIORE**

Hp 75

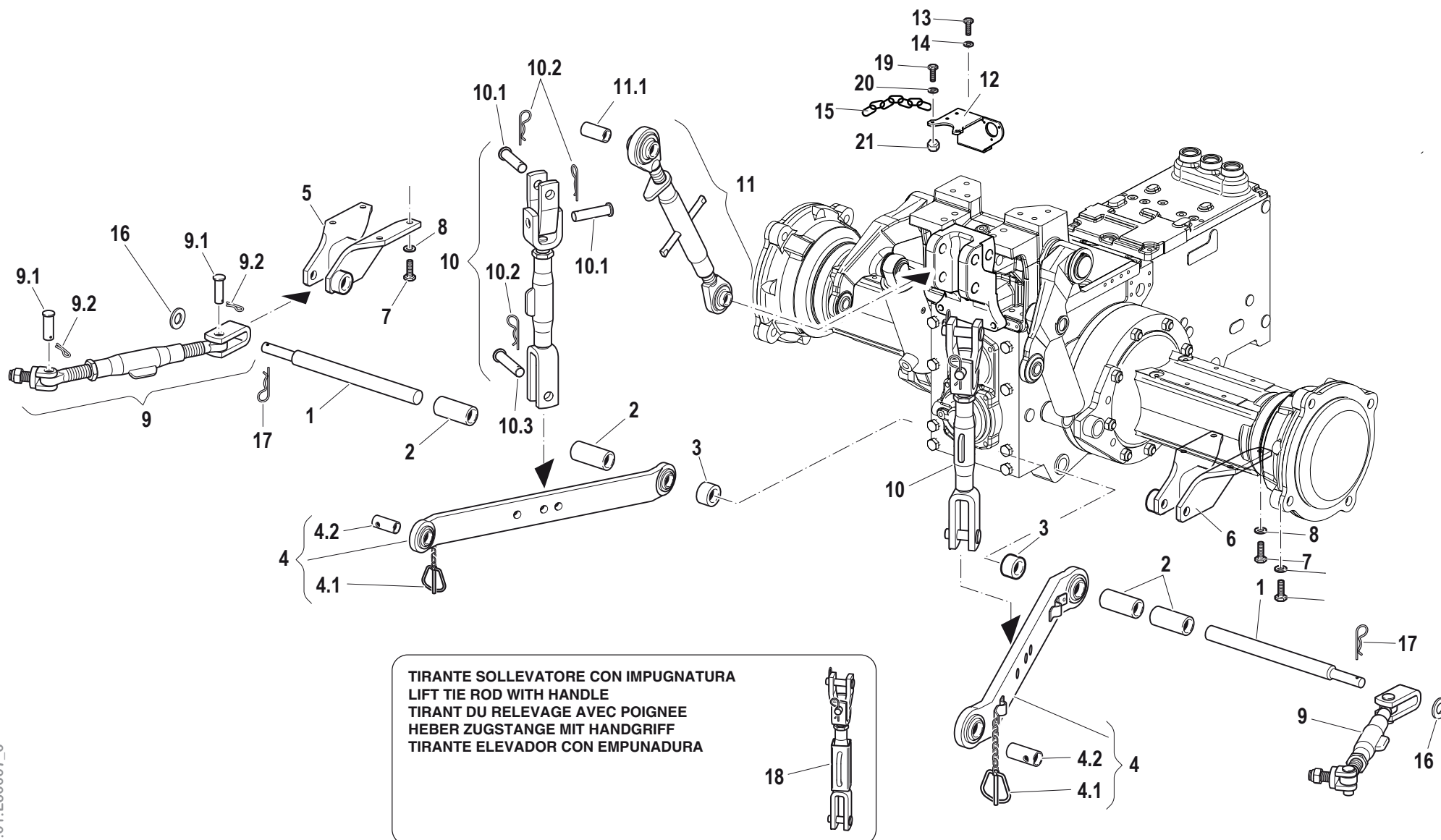
CODE REV

**S.01.01.L60007\_0**

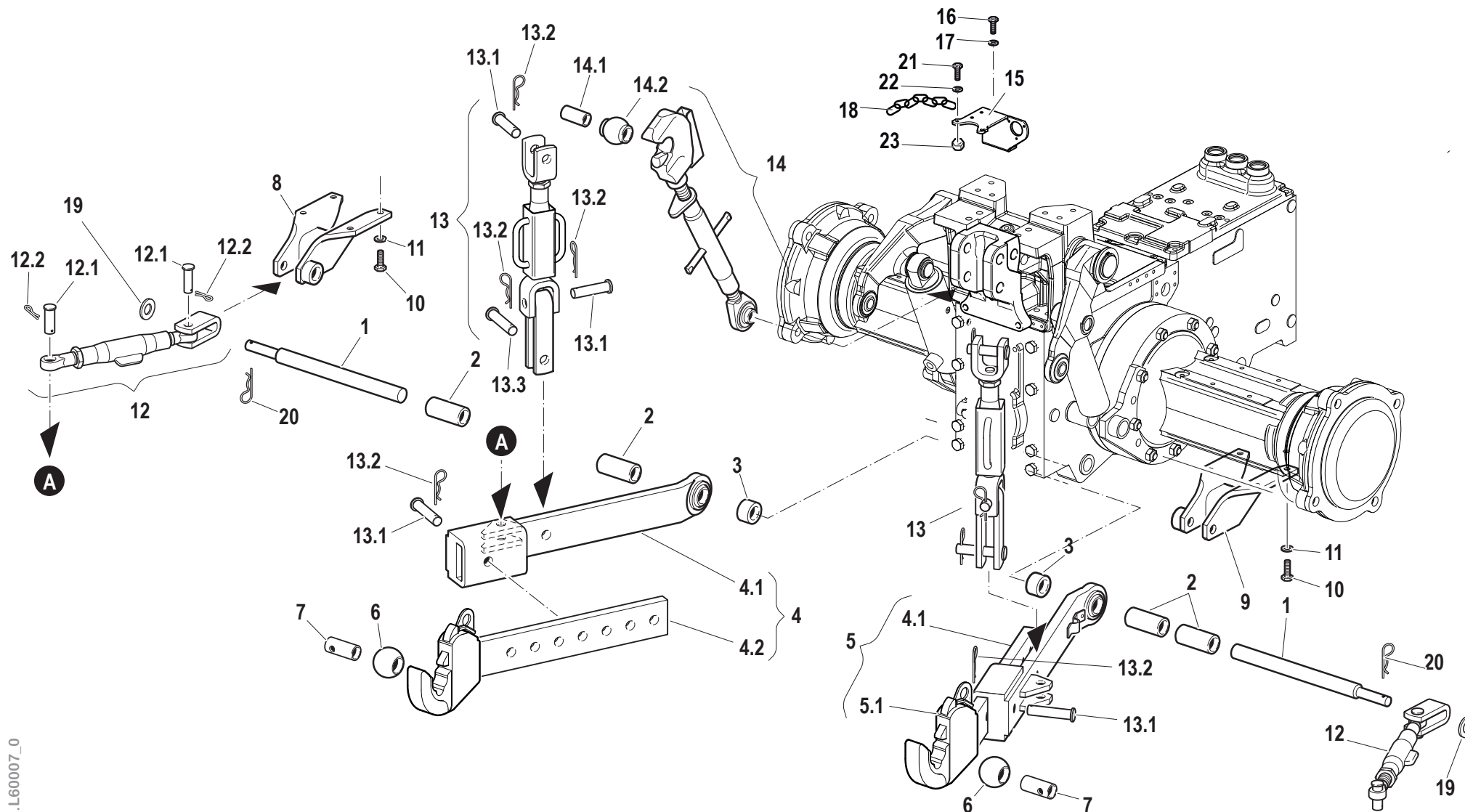




Pos.	Code	Q.ty	Description	Notes
36	31112328	2	SCREW TE M14X35 UNI 5739	
37	F0826056000	2	LUBRICATOR M10 UNI 7663A	
39	31152103	2	SCREW TCEI M10X25 UNI 5931	
40	F0801331050	2	SEEGER RING	
41	F0852106000	1	PIN	
42	31112150	2	SCREW TE M8X20 UNI 5739 8G	
43	59075107	2	PIN	
44	58175783	2	JOINT	
45	F0843643060	2	WASHER 8	
46	59075636	1	SHIELD	
47	31111151	3	SCREW TE M8X16 UNI 5739 8G	
48	59077505	1	SHIELD	
49	31112160	1	SCREW TE M8X55 UNI 5737 8G	
50	F0256808000	0	FLAT BAND	
51	58175121	1	COLLAR	
52	59079653	1	ELBOW	
53	58175745	1	PLUG	



Pos.	Code	Q.ty	Description	Notes
1	56577771	2	PIN	
2	56077773	4	SPACER	
3	56170392	2	SPACER	
4	58071322	2	BOTTOM LINK	
5	59075789	1	SUPPORT	
6	59075790	1	SUPPORT	
7	31112211	8	SCREW TE M10X30 UNI 5739	
8	F0843755000	8	WASHER 10	
9	58076354	2	ROD	
10	58077205	2	ROD	
11	58075983	1	3-POINT HITCH	
12	59079360	1	SUPPORTING YOKE	
13	31112210	2	SCREW TE M10X20 UNI 5739	
14	F0843755000	2	WASHER 10	
15	58076369	1	CHAIN	
16	31411170	2	WASHER 17x30	
17	34130010	2	SPLIT PIN	
18	58077202	2	ROD	
19	31112093	1	SCREW TE M6X20	
20	31411066	1	WASHER 6,6x18	
21	31211060	1	HEXAGONAL NUT M8	
4.1	F0852107050	1	PISTON PIN	
4.2	58171021	1	REDUCING BUSH	
9.1	58070480	2	PIN	
9.2	34110029	2	SPLIT PIN	
10.1	58071755	2	PIN	
10.2	F0851486000	3	SPLIT PIN	
10.3	58070482	1	PIN	
11.1	56073059	1	REDUCING BUSH	



Pos.	Code	Q.ty	Description	Notes
1	56577771	2	PIN	
2	56077773	4	SPACER	
3	56170392	2	SPACER	
4	58076084	1	LEFT ARM	
5	58076083	1	RIGHT ARM	
6	58171000	2	JOINT	
7	58171021	2	REDUCING BUSH	
8	59075789	1	SUPPORT	
9	59075790	1	SUPPORT	
10	31112211	8	SCREW TE M10X30 UNI 5739	
11	F0843755000	8	WASHER 10	
12	58076356	2	ROD	
13	58077198	2	ROD	
14	58075987	1	3-POINT HITCH	
15	59079360	1	SUPPORTING YOKE	
16	31112210	2	SCREW TE M10X20 UNI 5739	
17	F0843755000	2	WASHER 10	
18	58076369	1	CHAIN	
19	31411170	2	WASHER 17x30	
20	34130010	2	SPLIT PIN	
21	31112093	1	SCREW TE M6X20	
22	31411066	1	WASHER 6,6x18	
23	31211060	1	HEXAGONAL NUT M8	
4.1	58071864	1	TIP	
4.2	58076082	1	TIP	
4.3	56371101	1	PIN	
4.4	F0851486000	1	SPLIT PIN	
5.1	58071864	1	TIP	
5.2	58076081	1	TIP	
5.3	56371101	1	PIN	
5.4	F0851486000	1	SPLIT PIN	
12.1	58070480	2	PIN	
12.2	34110029	2	SPLIT PIN	
13.1	58071755	2	PIN	

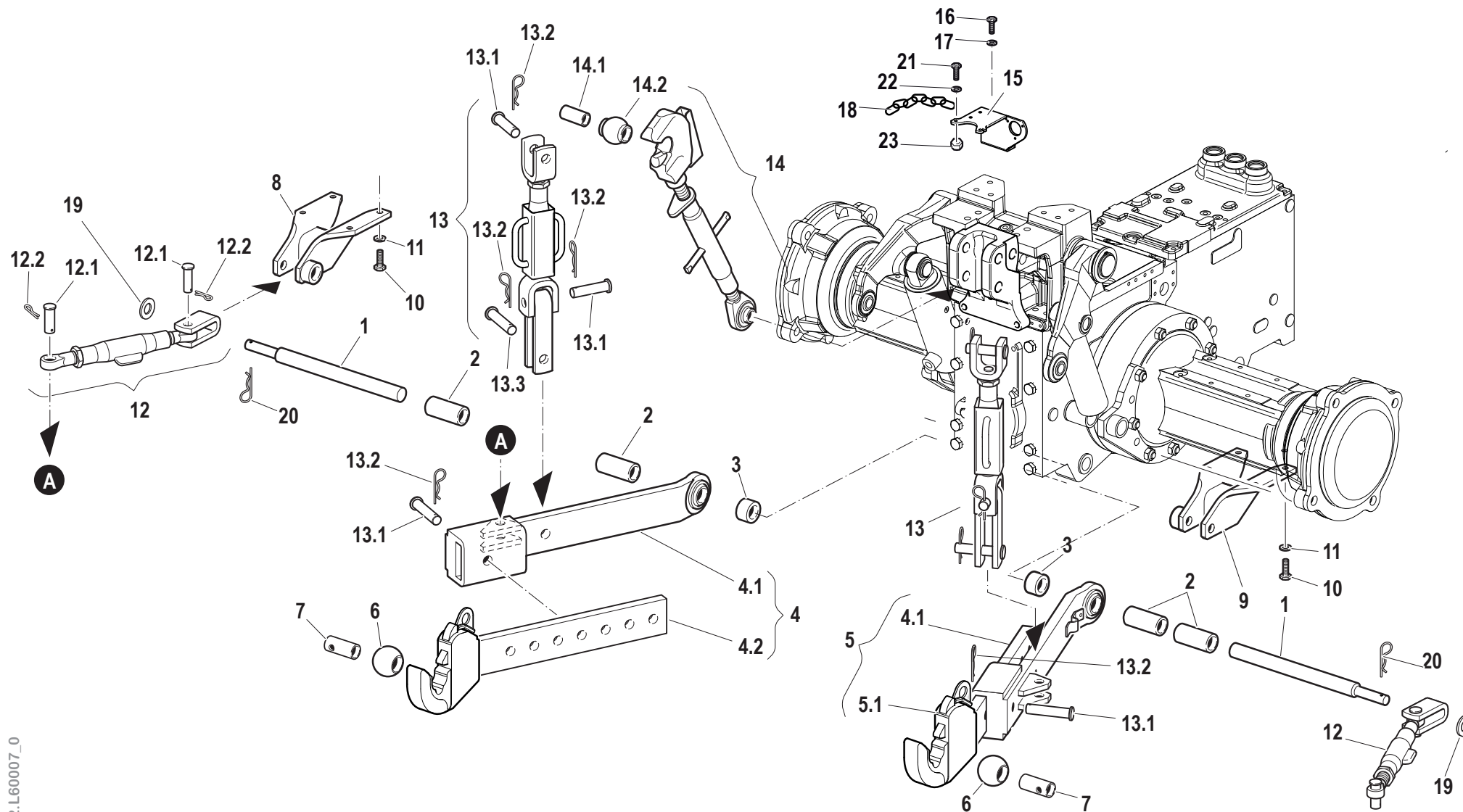
SERIAL

**ATTACCO ATTREZZI CON AGGANCI RAPIDI**

Hp 75

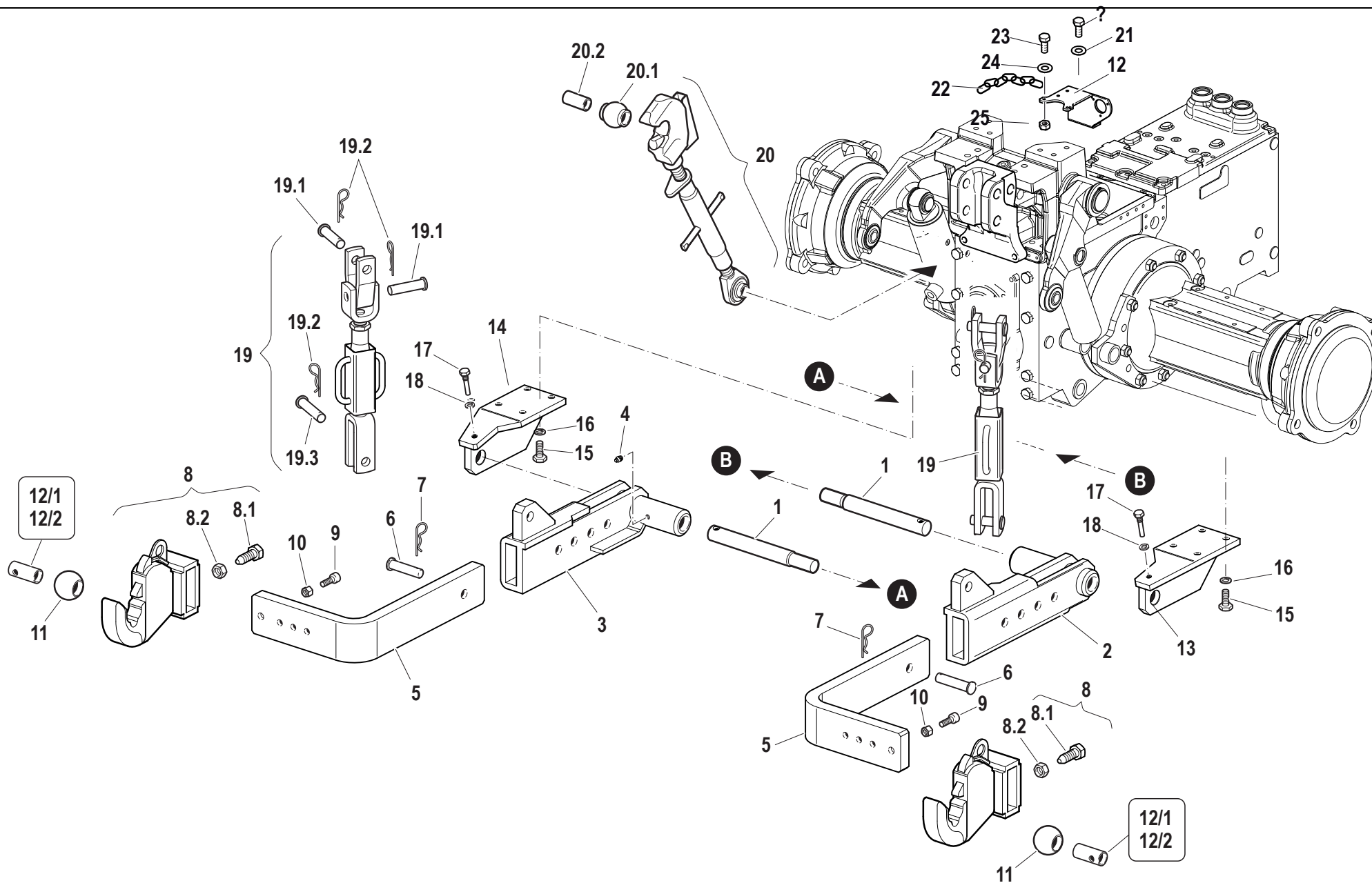
CODE REV

**T.01.02.L60007\_0**



<b>Pos.</b>	<b>Code</b>	<b>Q.ty</b>	<b>Description</b>	<b>Notes</b>
13.2	F0851486000	2	SPLIT PIN	
13.3	56371101	1	PIN	
14.1	56073059	1	REDUCING BUSH	
14.2	58173072	1	JOINT	





Pos.	Code	Q.ty	Description	Notes
1	56575035	2	PIN	
2	590A0741	1	HOLDER	
3	590A0743	1	HOLDER	
4	F0826056000	2	LUBRICATOR M10 UNI 7663A	
5	561A0573	2	ARM	
6	56375954	4	PIN	
7	F0851486000	4	SPLIT PIN	
8	59076100	2	DEVICE COUPLING	
9	F0863302000	2	SCREW M10X30 UNI 5931	
10	31211100	2	NUT M10	
11	58171000	2	JOINT	
12	59079360	1	SUPPORTING YOKE	
13	59077382	1	SUPPORT	
14	59077383	1	SUPPORT	
15	31112211	8	SCREW TE M10X30 UNI 5739	
16	F0843755000	8	WASHER 10	
17	56075036	2	SCREW	
18	F0843755000	2	WASHER 10	
19	58077325	2	ROD	
20	58075987	1	3-POINT HITCH	
21	F0843755000	2	WASHER 10	
22	58076369	1	CHAIN	
23	31112093	1	SCREW TE M6X20	
24	31411066	1	WASHER 6,6x18	
25	31211060	1	HEXAGONAL NUT M8	
8.1	56275953	1	SCREW	
8.2	31211200	1	NUT M20	
12/1	58171021	2	REDUCING BUSH	
12/2	58177978	2	BUSHING	
19.1	58071755	2	PIN	
19.2	58070482	2	PIN	
19.2	F0851486000	4	SPLIT PIN	
20.1	58173072	1	JOINT	
20.2	56073059	1	REDUCING BUSH	

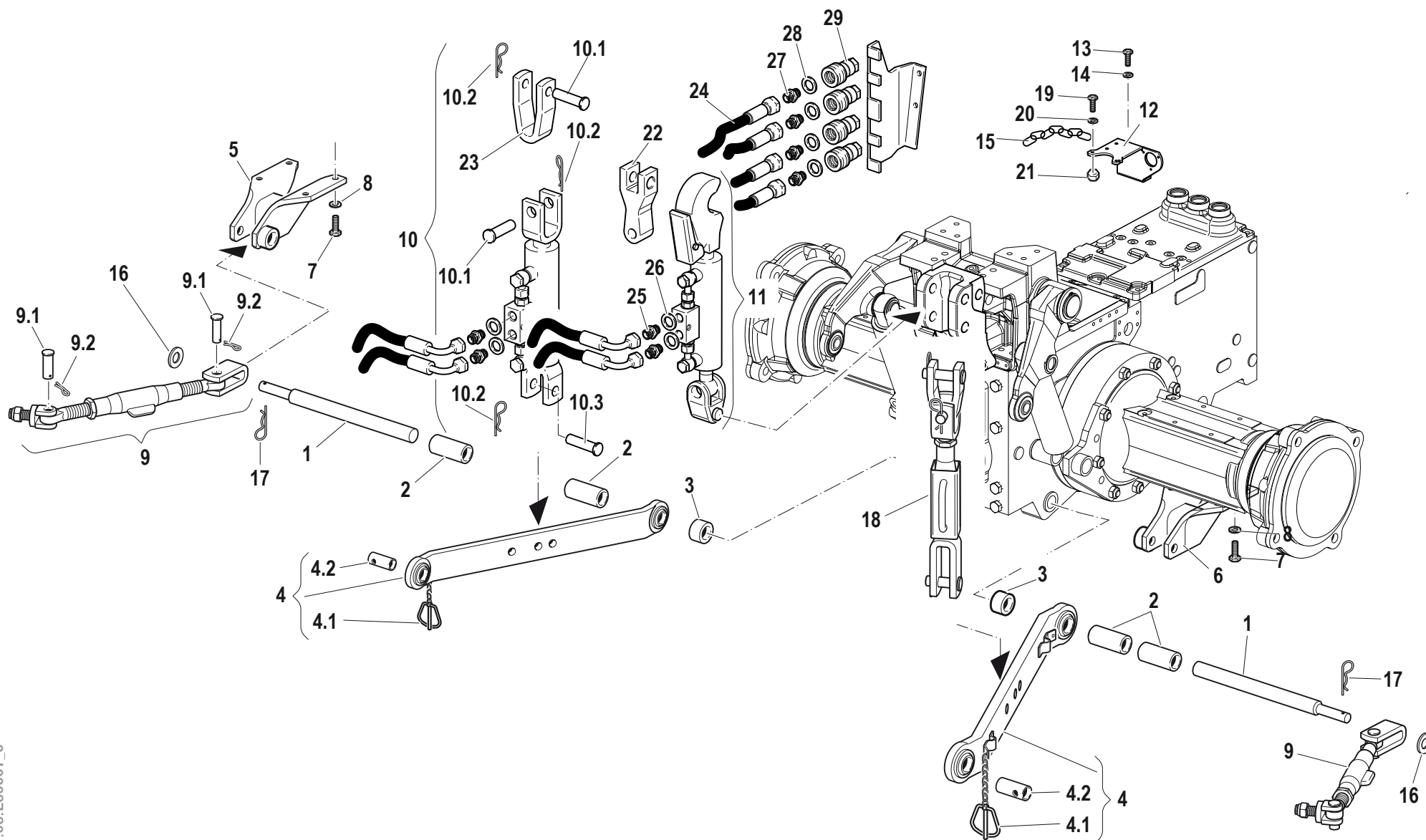
SERIAL

**ATTACCO ATTREZZI - BRACCI REGISTRABILI CON AGGANCI RAPIDI**

Hp 75

CODE REV

**T.01.05.L60007\_0**



Pos.	Code	Q.ty	Description	Notes
1	56577771	2	PIN	
2	56077773	4	SPACER	
3	56170392	2	SPACER	
4	58071322	2	BOTTOM LINK	
5	59075789	1	SUPPORT	
6	59075790	1	SUPPORT	
7	31112211	8	SCREW TE M10X30 UNI 5739	
8	F0843755000	8	WASHER 10	
9	58076354	2	ROD	
10	58176351	1	HYDRAULIC CYLINDER	
11	58176350	1	HYDRAULIC CYLINDER	
12	59079360	1	SUPPORTING YOKE	
13	31112210	2	SCREW TE M10X20 UNI 5739	
14	F0843755000	2	WASHER 10	
15	58076369	1	CHAIN	
16	31411170	2	WASHER 17x30	
17	34130010	2	SPLIT PIN	
18	58077202	1	ROD	
19	31112093	1	SCREW TE M6X20	
20	31411066	1	WASHER 6,6x18	
21	31211060	1	HEXAGONAL NUT M8	
22	58076349	1	TIP	
23	58075843	1	FORK	
24	58076366	4	FLEXIBLE HOSE	
25	F0835023000	4	NIPPLE	
26	F0824110000	4	COPPER WASHER 3/8 GAS	
27	F0835040000	4	NIPPLE	
28	F0824141000	4	COPPER WASHER 21x27/1,5	
29	F0825980032	4	COUPLING	
4.1	F0852107050	1	PISTON PIN	
4.2	58171021	1	REDUCING BUSH	
9.1	58070480	2	PIN	
9.2	34110029	2	SPLIT PIN	
10.1	58071755	2	PIN	

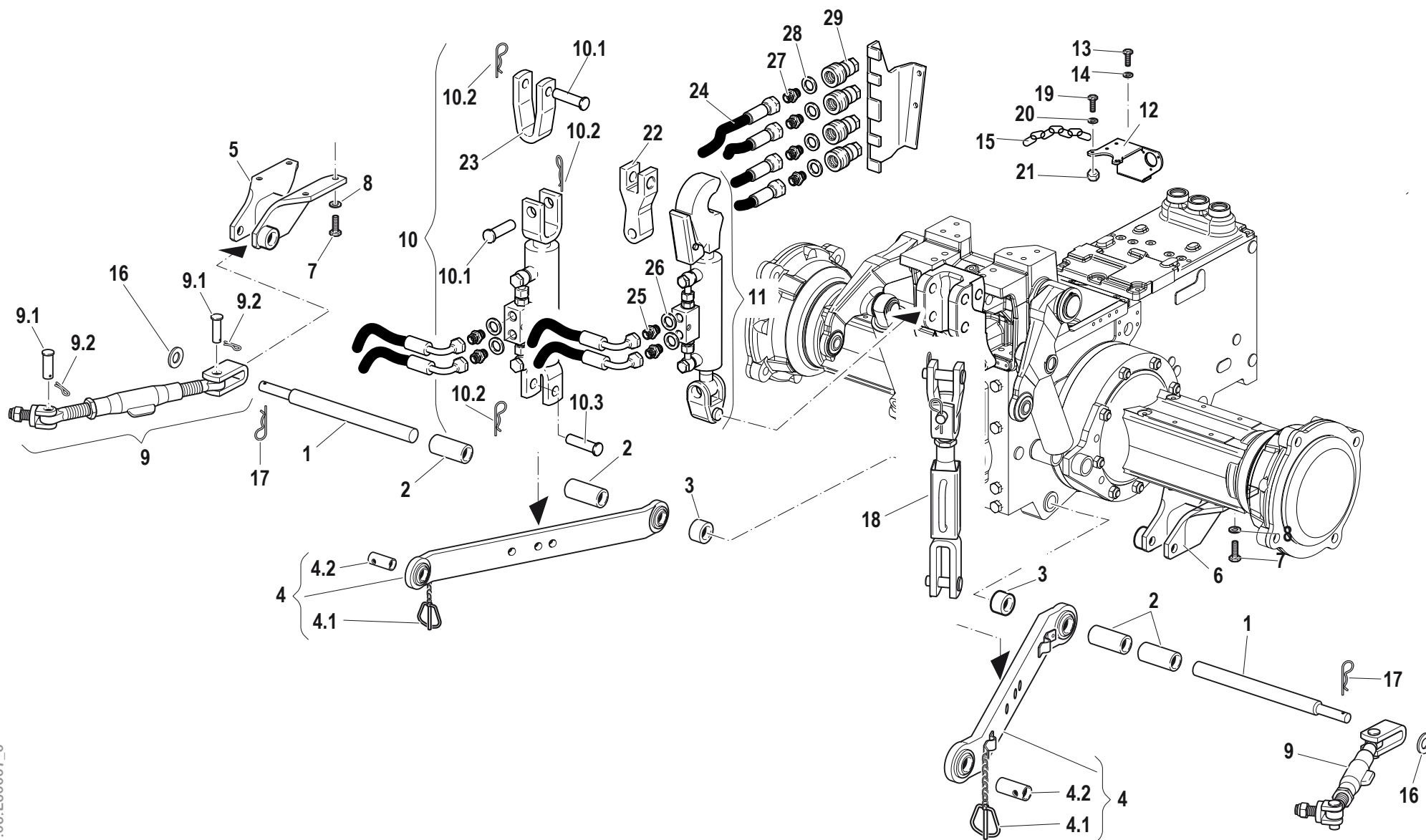
SERIAL

**ATTACCO ATTREZZI BASE - VAR 3° PUNTO E TIRANTE IDRAULICO**

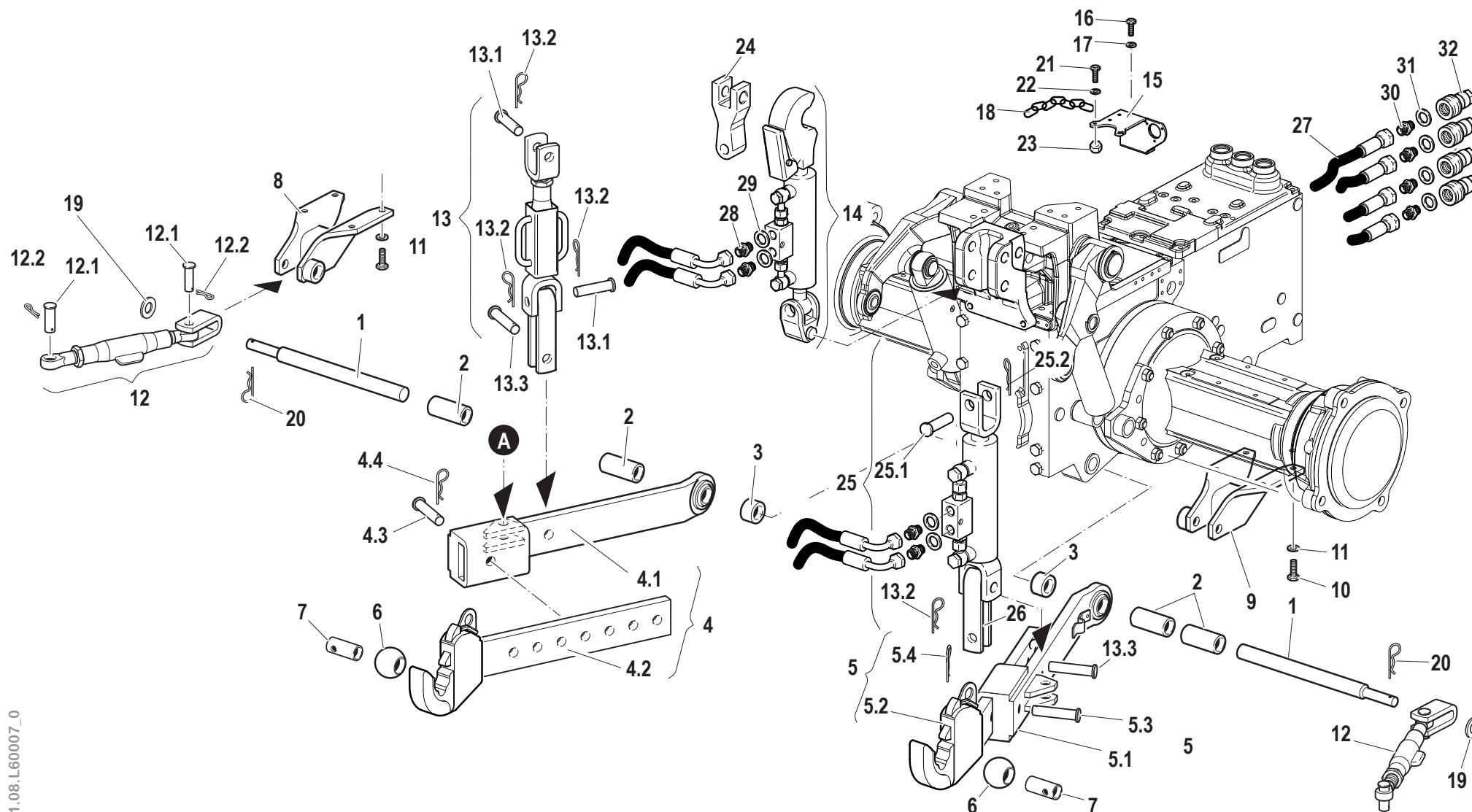
Hp 75

CODE REV

**T.01.06.L60007\_0**



Pos.	Code	Q.ty	Description	Notes
10.2	F0851486000	3	SPLIT PIN	
10.3	58070482	1	PIN	



Pos.	Code	Q.ty	Description	Notes
1	56577771	2	PIN	
2	56077773	4	SPACER	
3	56170392	2	SPACER	
4	58076084	1	LEFT ARM	
5	58076083	1	RIGHT ARM	
6	58171000	2	JOINT	
7	58171021	2	REDUCING BUSH	
8	59075789	1	SUPPORT	
9	59075790	1	SUPPORT	
10	31112211	8	SCREW TE M10X30 UNI 5739	
11	F0843755000	8	WASHER 10	
12	58076356	2	ROD	
13	58077198	1	ROD	
14	58176350	1	HYDRAULIC CYLINDER	
15	59079360	1	SUPPORTING YOKE	
16	31112210	2	SCREW TE M10X20 UNI 5739	
17	F0843755000	2	WASHER 10	
18	58076369	1	CHAIN	
19	31411170	2	WASHER 17x30	
20	34130010	2	SPLIT PIN	
21	31112093	1	SCREW TE M6X20	
22	31411066	1	WASHER 6,6x18	
23	31211060	1	HEXAGONAL NUT M8	
24	58076349	1	TIP	
25	58176351	1	HYDRAULIC CYLINDER	
26	58071758	1	FORK	
27	58076366	4	FLEXIBLE HOSE	
28	F0835023000	4	NIPPLE	
29	F0824110000	4	COPPER WASHER 3/8 GAS	
30	F0835040000	4	NIPPLE	
31	F0824141000	4	COPPER WASHER 21x27/1,5	
32	F0825980032	4	COUPLING	
4.1	58071864	1	TIP	
4.2	58076082	1	TIP	

SERIAL

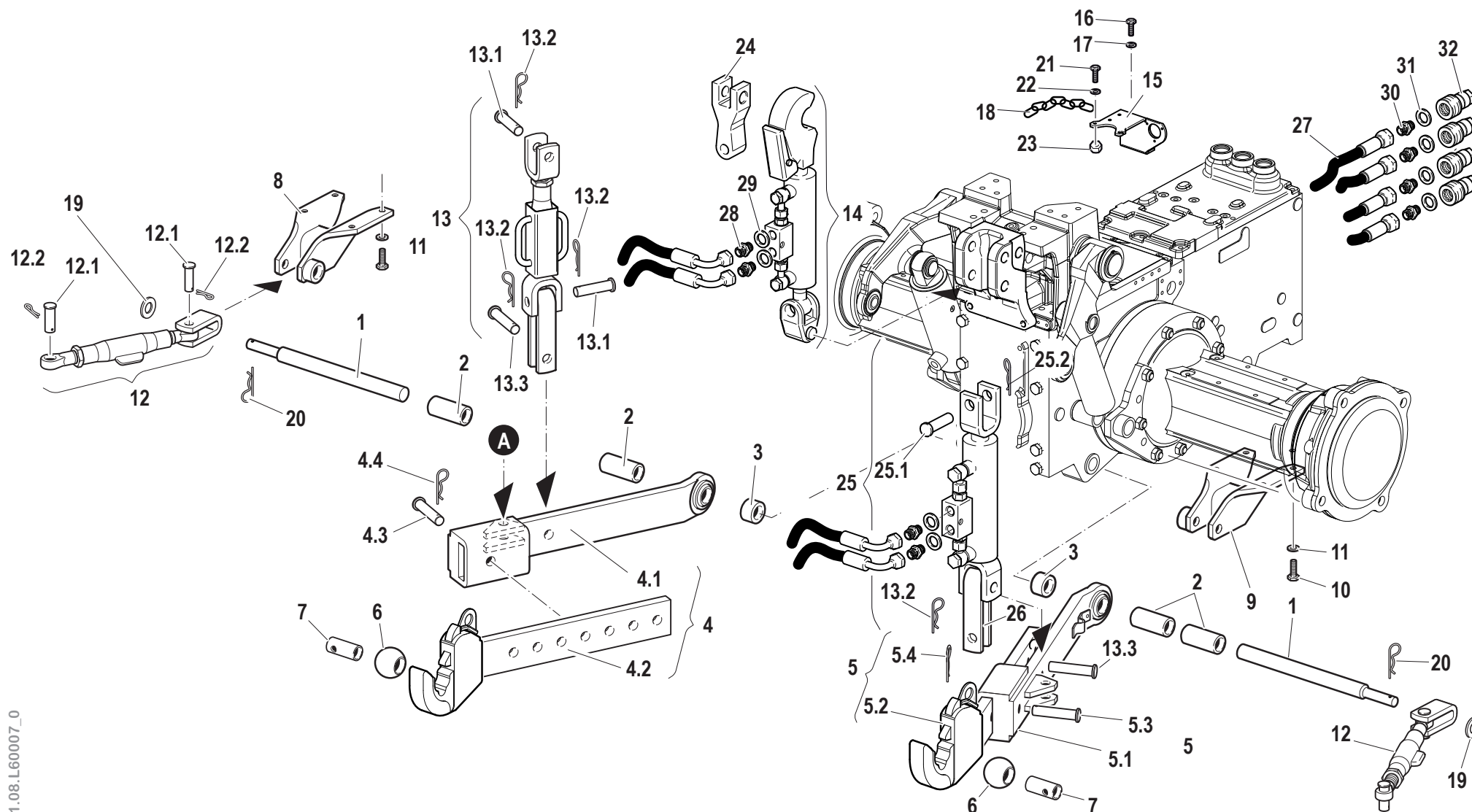
**ATTACCO ATTREZZI CON AGGANCI RAPIDI - VAR 3° PUNTO E TIRANTE IDRAULICO**

Hp 75

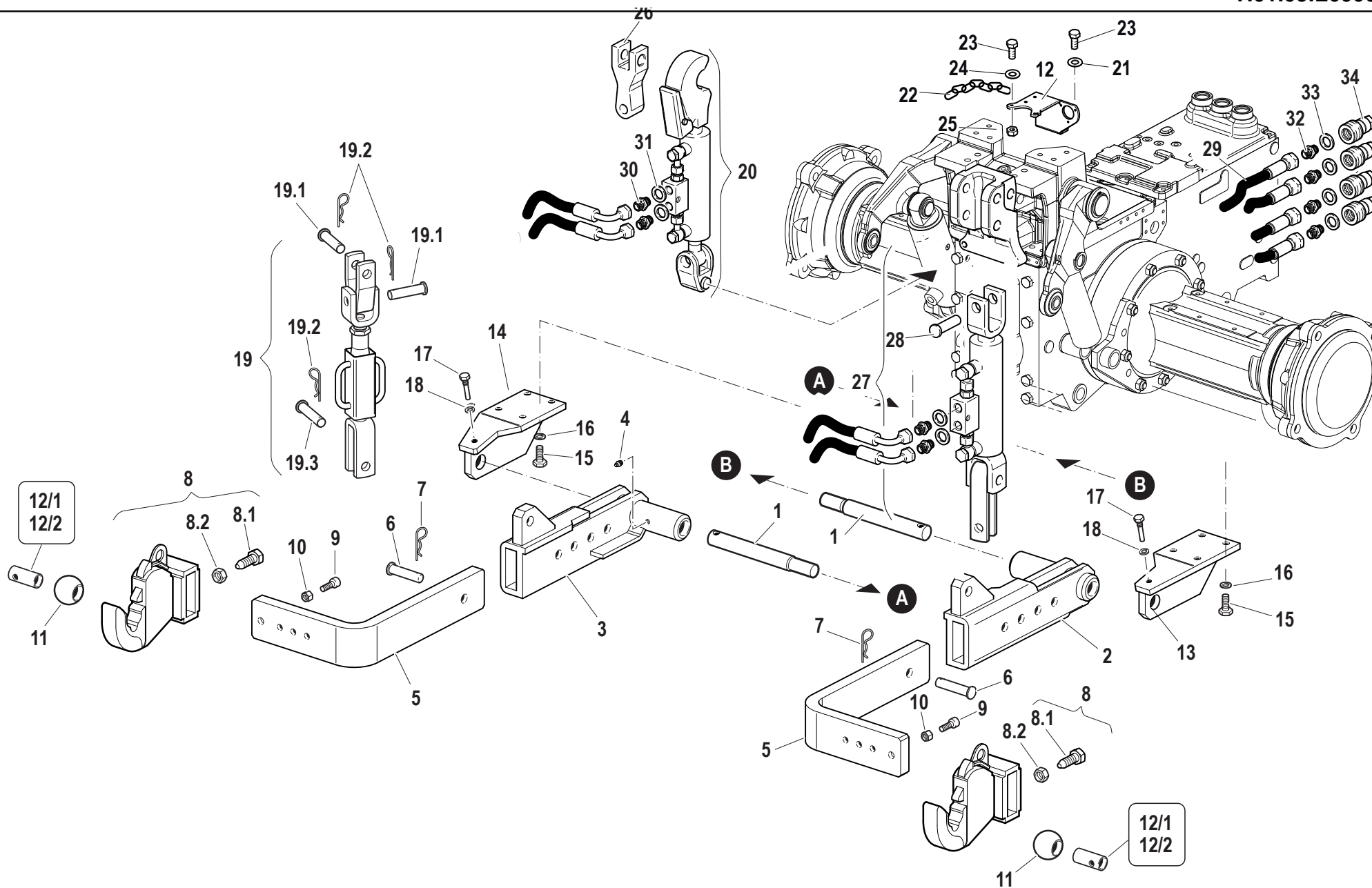
CODE REV

**T.01.08.L60007\_0**





Pos.	Code	Q.ty	Description	Notes
4.3	56371101	1	PIN	
4.4	F0851486000	1	SPLIT PIN	
5.1	58071864	1	TIP	
5.2	58076081	1	TIP	
5.3	56371101	1	PIN	
5.4	F0851486000	1	SPLIT PIN	
12.1	58070480	2	PIN	
12.2	34110029	2	SPLIT PIN	
13.1	58071755	2	PIN	
13.2	F0851486000	4	SPLIT PIN	
13.3	56371101	2	PIN	
25.1	58071755	2	PIN	
25.2	F0851486000	3	SPLIT PIN	



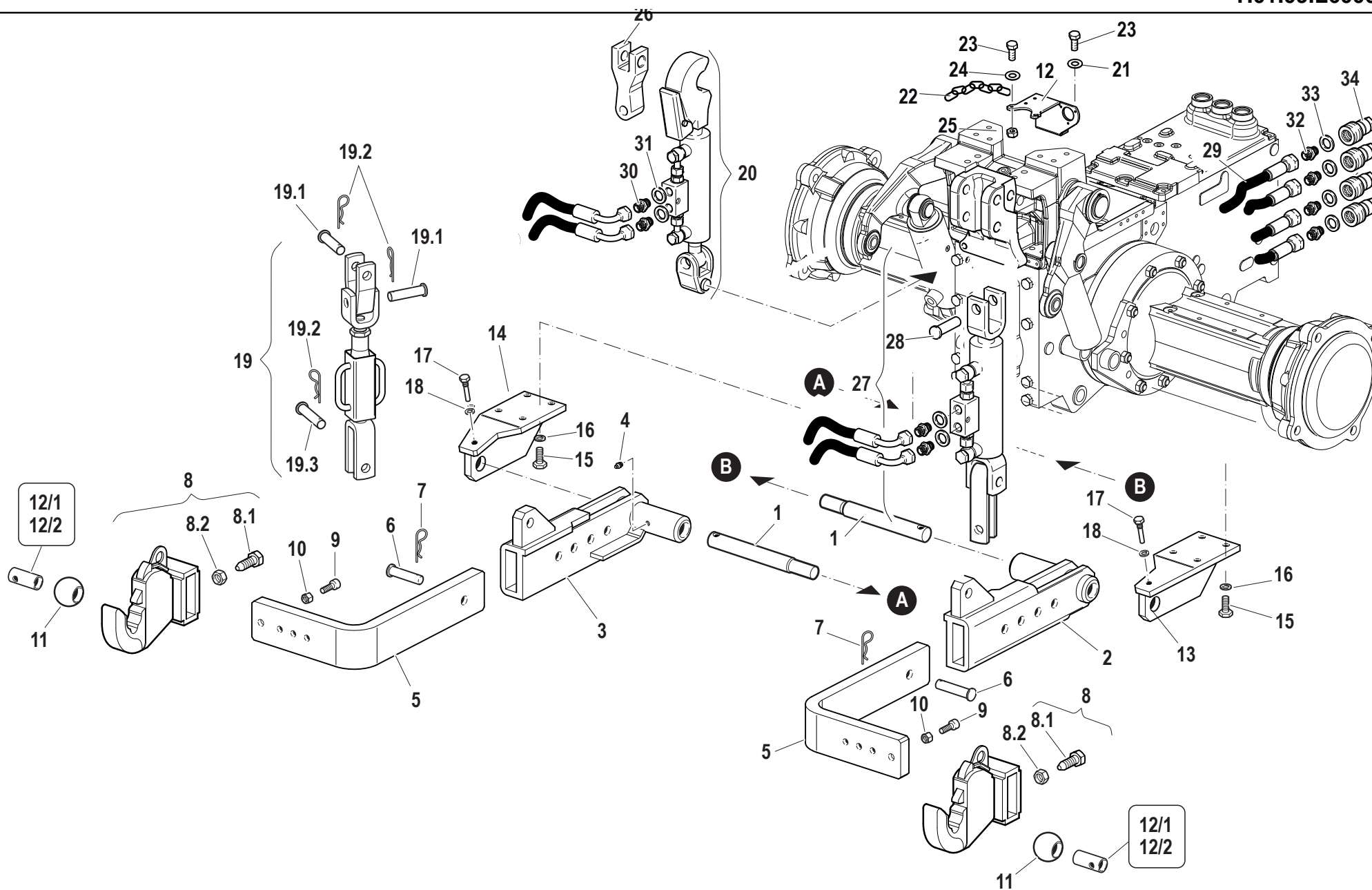
Pos.	Code	Q.ty	Description	Notes
1	56575035	2	PIN	
2	590A0741	1	HOLDER	
3	590A0743	1	HOLDER	
4	F0826056000	2	LUBRICATOR M10 UNI 7663A	
5	561A0573	2	ARM	
6	56375954	4	PIN	
7	F0851486000	4	SPLIT PIN	
8	59076100	2	DEVICE COUPLING	
9	F0863302000	2	SCREW M10X30 UNI 5931	
10	31211100	2	NUT M10	
11	58171000	2	JOINT	
12	59079360	1	SUPPORTING YOKE	
13	59077382	1	SUPPORT	
14	59077383	1	SUPPORT	
15	31112211	8	SCREW TE M10X30 UNI 5739	
16	F0843755000	8	WASHER 10	
17	56075036	2	SCREW	
18	F0843755000	2	WASHER 10	
19	58077325	1	ROD	
20	58176350	1	HYDRAULIC CYLINDER	
21	F0843755000	2	WASHER 10	
22	58076369	1	CHAIN	
23	31112093	1	SCREW TE M6X20	
24	31411066	1	WASHER 6,6x18	
25	31211060	1	HEXAGONAL NUT M8	
26	58076349	1	TIP	
27	58176351	1	HYDRAULIC CYLINDER	
28	58071755	1	PIN	
29	58076366	4	FLEXIBLE HOSE	
30	F0835023000	4	NIPPLE	
31	F0824110000	4	COPPER WASHER 3/8 GAS	
32	F0835040000	4	NIPPLE	
33	F0824141000	4	COPPER WASHER 21x27/1,5	
34	F0825980032	4	COUPLING	

SERIAL

**ATTACCO ATTREZZI CON AGGANCI RAPIDI REGISTRABILI - VAR 3° PUNTO E**  
**TIRANTE IDRAULICO**  
 Hp 75

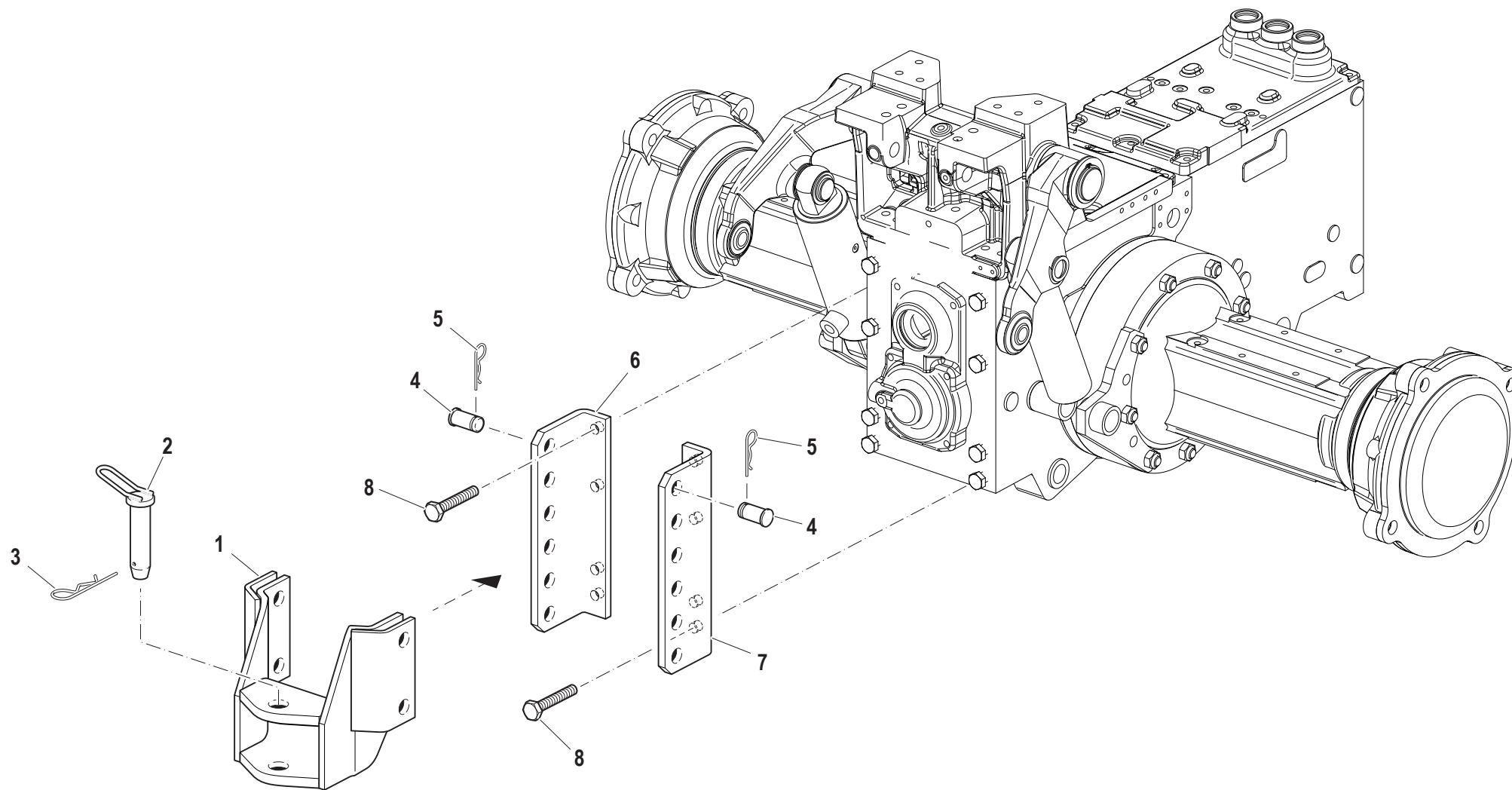
CODE REV

**T.01.09.L60007\_0**



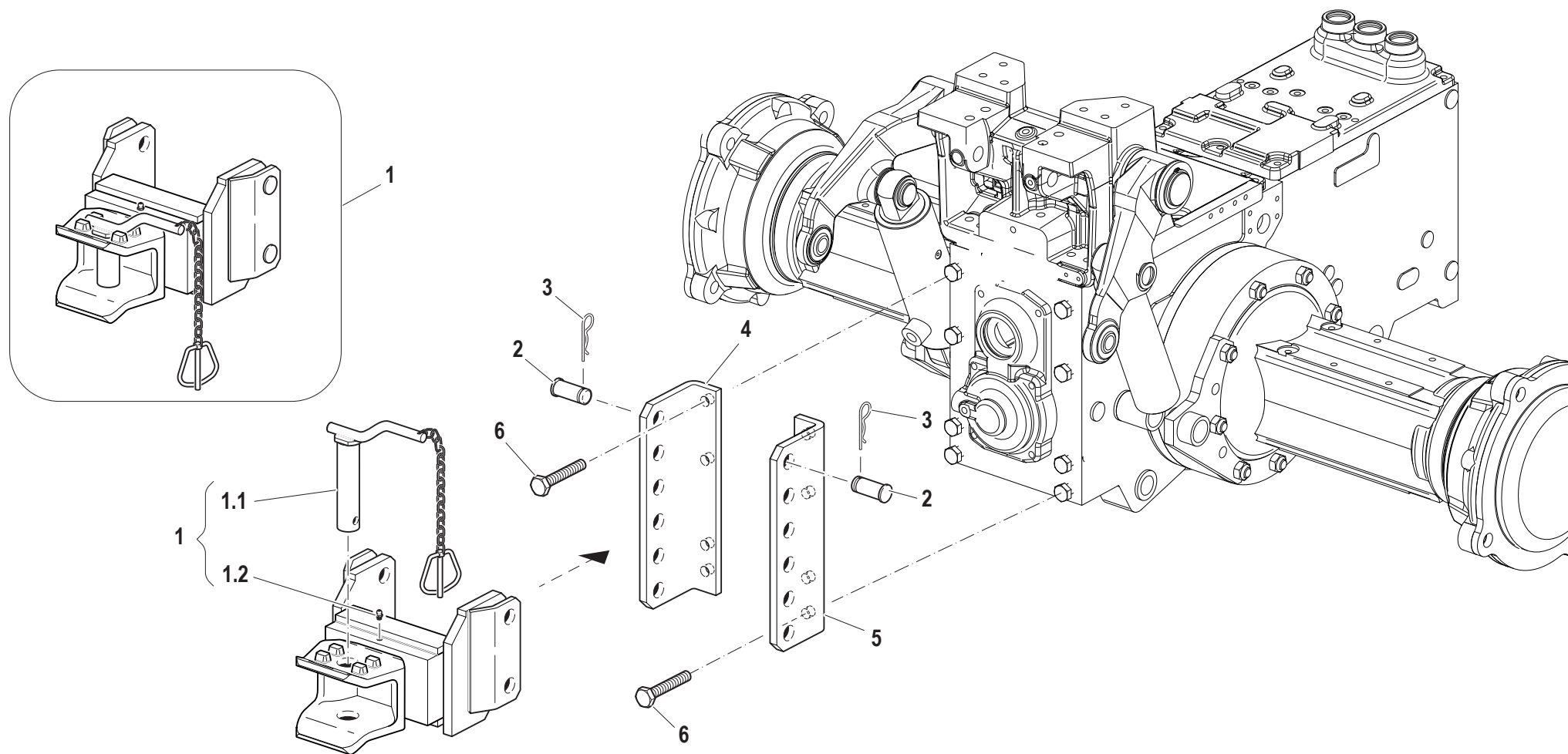
Pos.	Code	Q.ty	Description	Notes
8.1	56275953	1	SCREW	
8.2	31211200	1	NUT M20	
12/1	58171021	2	REDUCING BUSH	
12/2	58177978	2	BUSHING	
19.1	58071755	2	PIN	
19.2	F0851486000	4	SPLIT PIN	
19.3	58070482	2	PIN	
20.1	58173072	1	JOINT	
20.2	56073059	1	REDUCING BUSH	

# GANCIO DI TRAINO - VERSIONE BASE

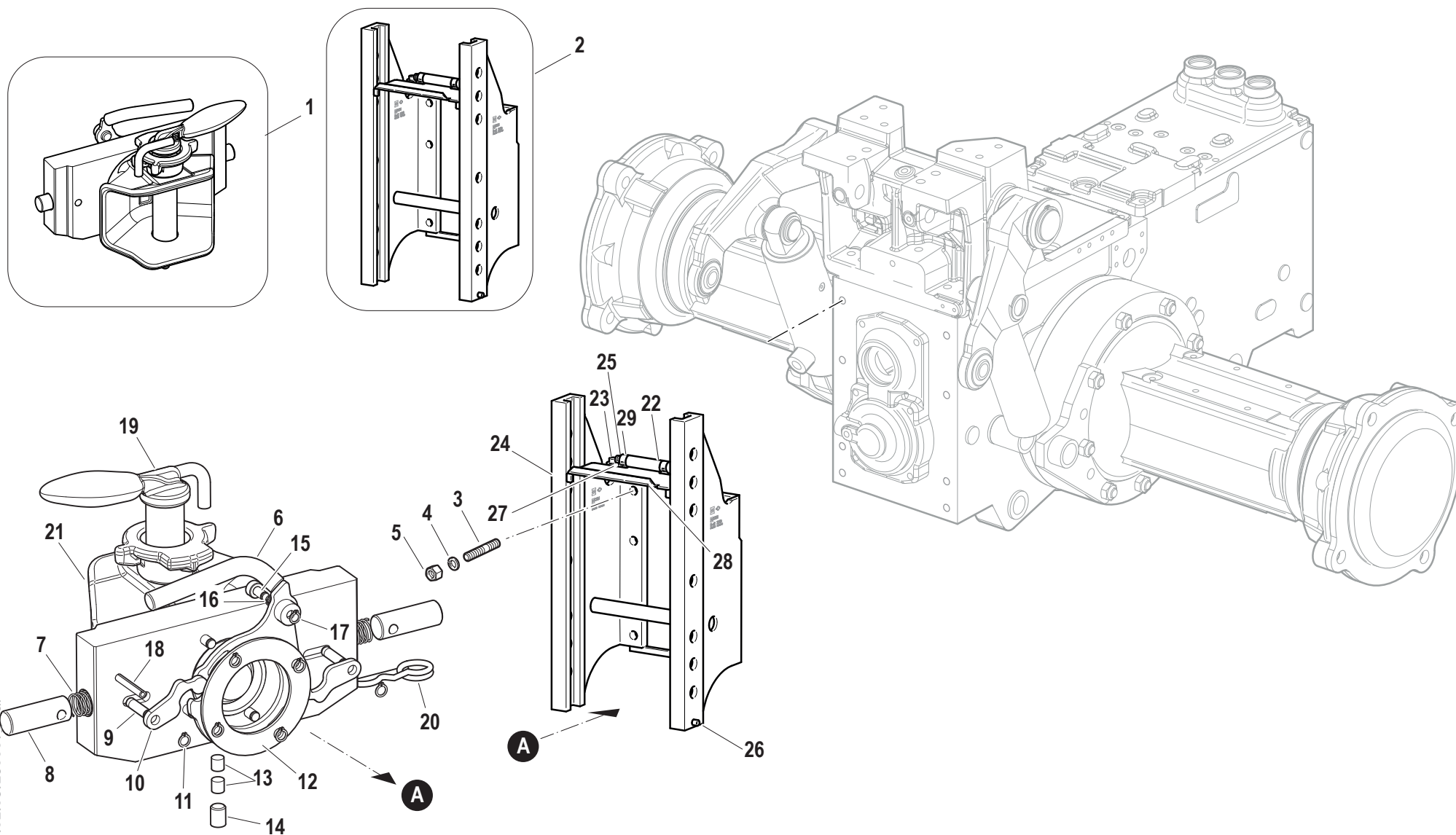


<b>Pos.</b>	<b>Code</b>	<b>Q.ty</b>	<b>Description</b>	<b>Notes</b>
1	59070702	1	TOW HOOK	
2	F0808060100	1	LATCH D.28X117	
3	F0851497000	1	SPLIT PIN	
4	56370696	4	PIN	
5	F0851486000	4	SPLIT PIN	
6	56170704	1	SUPPORT	
7	56170705	1	SUPPORT	
8	F0864180000	8	SCREW M14X30 UNI 5740	



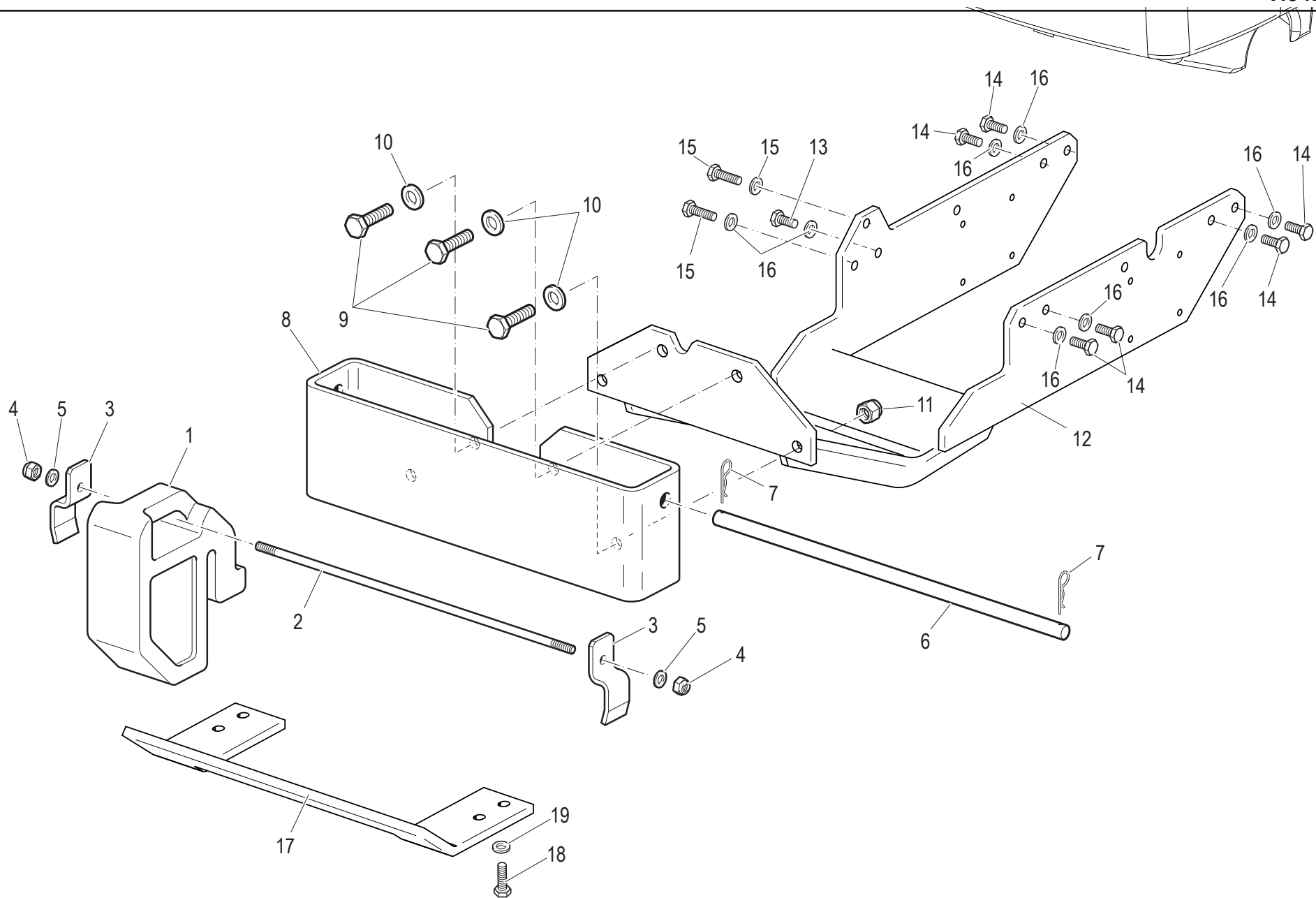


Pos.	Code	Q.ty	Description	Notes
1	59375009	1	TOW HOOK	
2	56375008	4	PIN	
3	F0851486000	4	SPLIT PIN	
4	56170704	1	SUPPORT	
5	56170705	1	SUPPORT	
6	F0864180000	8	SCREW M14X30 UNI 5740	
1.1	59075012	1	PIN	
1.2	F0826056000	1	LUBRICATOR M10 UNI 7663A	



T.02.03.L60007\_0.ai

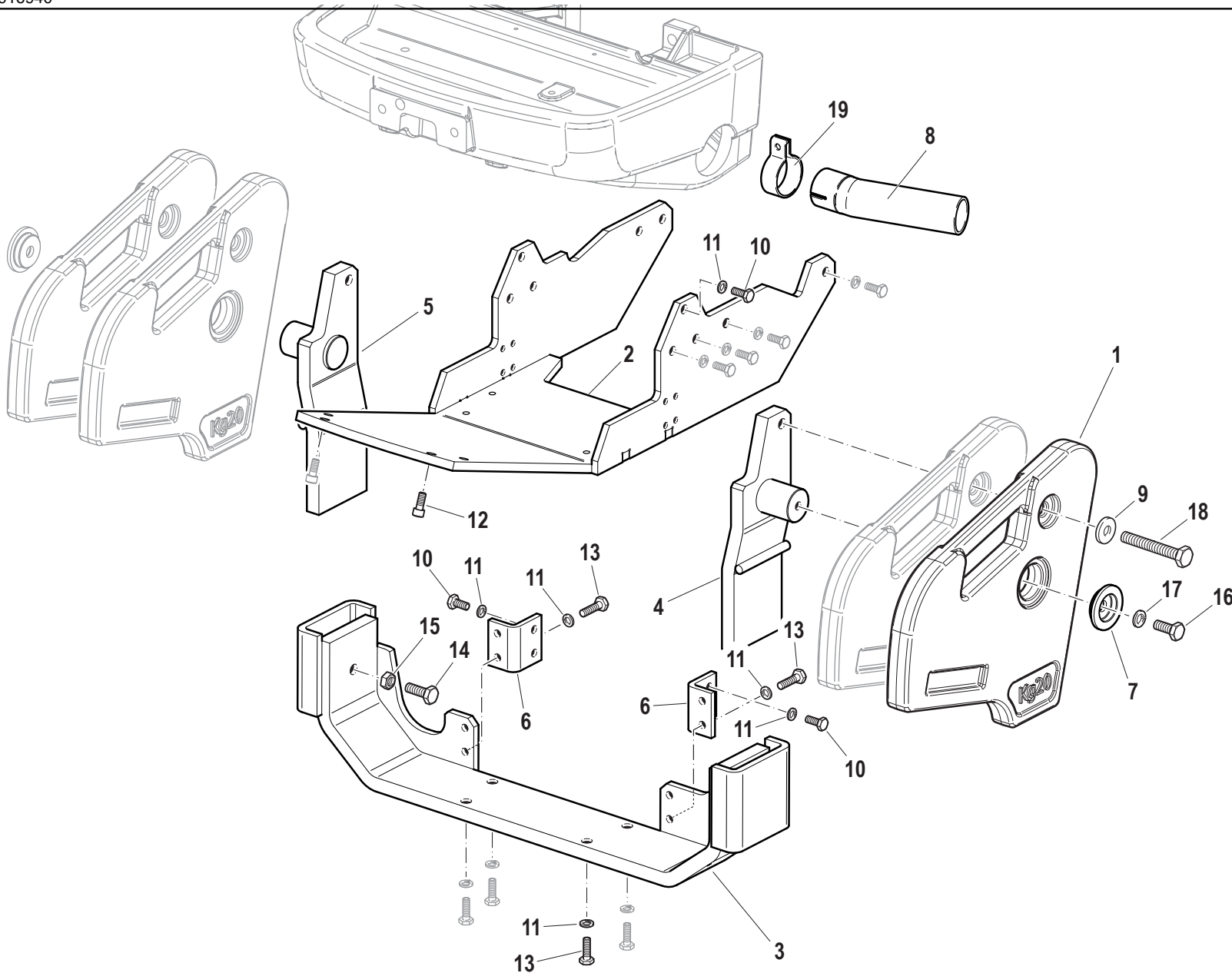
Pos.	Code	Q.ty	Description	Notes
1	59377734	1	CLEVIS	
2	59377730	1	CHASSIS FRAME	
3	F0864222010	8	SCREW M14X1,5/40 5738	
4	31152103	2	SCREW TCEI M10X25 UNI 5931	
5	58177736	1	LEVA SBLO.COMP.(81.0121.01.03)	
6	58177737	2	SPRING	
7	58177738	2	PIN	
8	58177739	6	PIN	
9	58177740	2	CONNECTING ROD	
10	F0801028000	6	RING	
11	58177741	1	DISC	
12	58177742	2	PAD	
13	F0863672010	1	SCREW	
14	58177743	1	PIN	
15	58177744	1	SPRING	
16	F0801022000	1	SEEGER RING	
17	34211064	1	ROLL PIN	
18	58177745	1	PIN	
19	58177746	1	SPLIT PIN	
2.1	58177732	1	GUARD	



Pos.	Code	Q.ty	Description	Notes
1	F0150051050	6	FRONT BALLAST	
2	56075238	1	ROD	
3	F0150051145	2	SQUARE	
4	31241100	2	SELFLOCK HEXAGON NUT M10	
5	31411105	2	WASHER 10,5x21	
6	56075237	1	ROD	
7	F0851486000	2	SPLIT PIN	
8	59077160	1	BALLAST CARRIER	
9	F0864245000	4	SCREW M14X45 UNI 5737	
10	F0843921030	4	WASHER 14	
11	F0814756000	2	NUT M14	
12	59077180	1	BRACE	
13	56173110	1	SPACER	
14	31112219	5	SCREW TE M10X25 UNI 5739	
15	31112212	3	SCREW TE M10X35 UNI 5739	
16	F0843755000	8	WASHER 10	
17	56077161	1	BRACKET	
18	31112272	4	SCREW TE M12X30 UNI 5739	
19	31411130	4	WASHER 13x24	

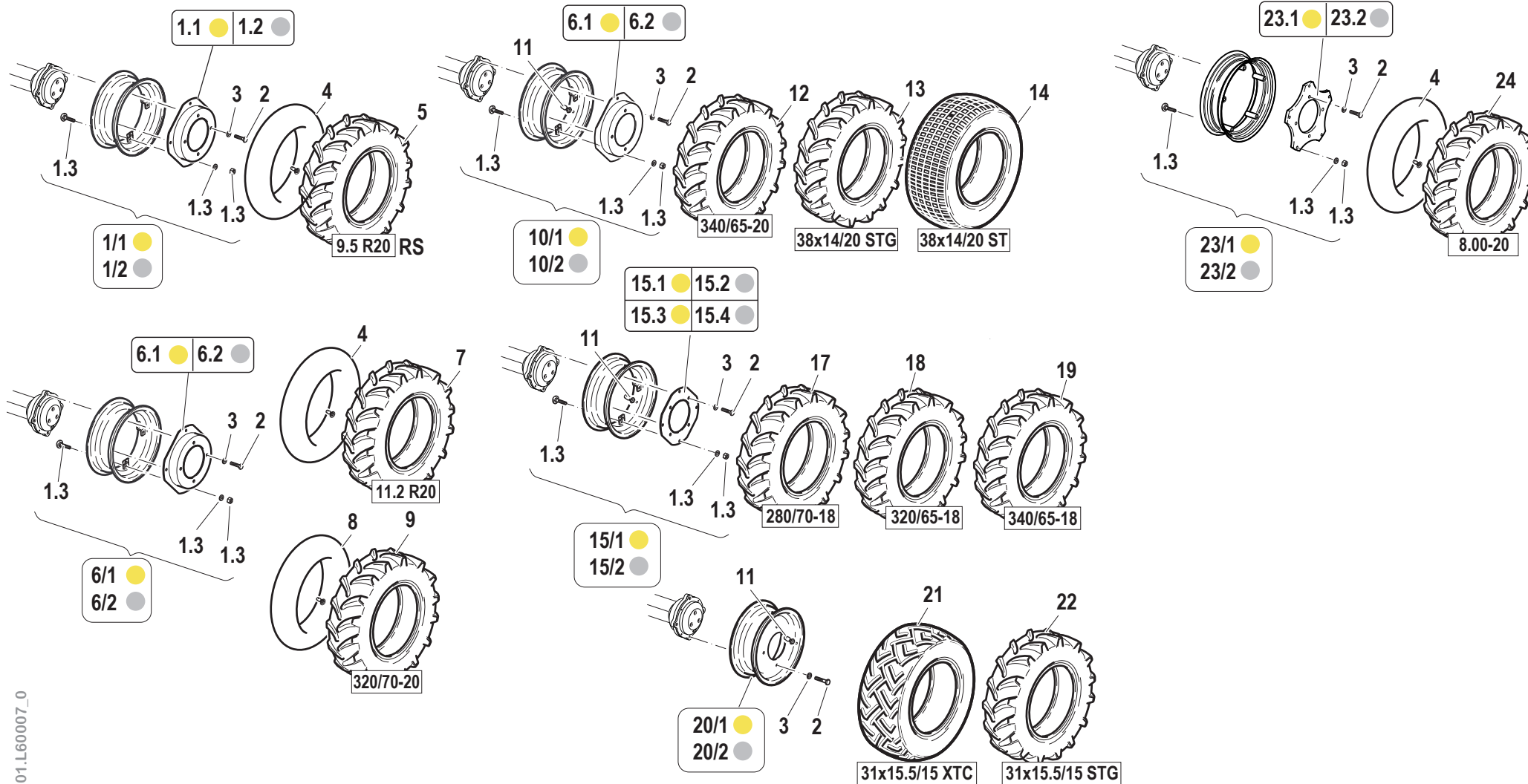
# ZAVORRE ANTERIORI

SERIAL START 916940



Pos.	Code	Q.ty	Description	Notes
1	51179309	4	FRONT BALLAST	
2	59079312	1	GUARD	
3	59079273	1	BALLAST CARRIER	
4	59079306	1	BRACKET	
5	59079283	1	BRACKET	
6	56179310	2	FIXING BRACKET	
7	56179308	2	WASHER	
8	561A0939	1	TUBO SCAR.75-95-ZAV.ANT.VERN	
9	31411170	2	WASHER 17x30	
10	31112219	14	SCREW TE M10X25 UNI 5739	
11	F0843755000	22	WASHER 10	
12	31152103	2	SCREW TCEI M10X25 UNI 5931	
13	31112212	8	SCREW TE M10X35 UNI 5739	
14	31112328	2	SCREW TE M14X35 UNI 5739	
15	31211140	2	NUT M14	
16	31111330	2	SCREW TE M14X30 UNI 5739 8G	
17	F0843921030	2	WASHER 14	
18	31112446	2	SCREW TE M16X120UNI5737	
19	58175121	1	COLLAR	
20	56173110	1	SPACER	





Pos.	Code	Q.ty	Description	Notes
2	F0864410500	4	SCREW M18X1,5/45 U/5740	
3	F0844150000	4	WASHER D.30x18,5/5	
4	F0848920000	1	INNER TUBE	
5	F0848664000	1	TYRE 9.5-R20	
7	F0848680000	1	TYRE 11.2-R20	
8	F0848940000	1	INNER TUBE	
9	39118080	4	TYRE	209/09
11	F0150010905	1	VALVE	
12	F0848679700	1	TYRE 340/65 R20	
13	F0848683500	1	TYRE 38X14.00-20 8PR	
14	F0848683000	1	TYRE	
17	F0848655100	1	TYRE 280/70R18	
18	F0848679600	1	TYRE	
19	P000000009122	1	TYRE 340/65R18	
21	F0848681600	1	TYRE 31X15.5-15 8PR	
22	F0848681605	1	TYRE 31X15.5-15	
24	39118528		TYRE 8.00X20/8	010/05
1.1	58170181	1	DISC	
1.2	58175965	1	DISC	
1.3	59900361		KIT	
1/1	59270304	1	RIM	061/10
1/2	59273925	4	RIM	061/10
6.1	58176323	1	FLANGIA CERCHIO W10X20 RAL1003	
6.2	58176324	1	FLANGIA CERCHIO W10X20 RAL9006	
6/1	59276320	1	RIM	
6/2	59276321	1	RIM	
10/1	59276965	1	RIM	
10/2	59276964	1	RIM	
15.1	58175630	1	RIM	127/08
15.2	58175966	1	RIM	127/08
15/1	592A0344	1	RIM	
15/2	592A0345	1	RIM	
20/1	58178571	1	RIM	
20/2	58178572		RIM	

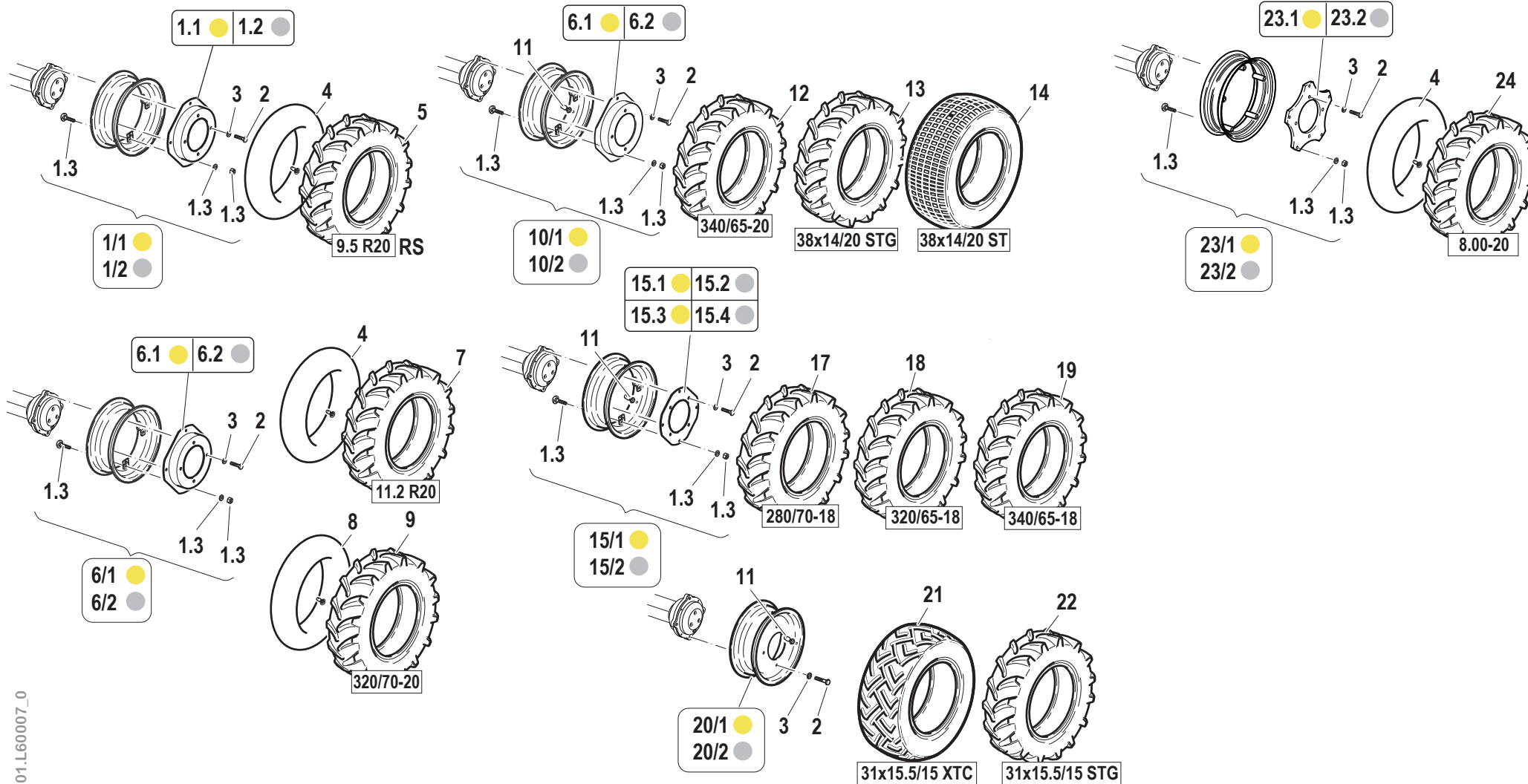
SERIAL

**RUOTE E PNEUMATICI**

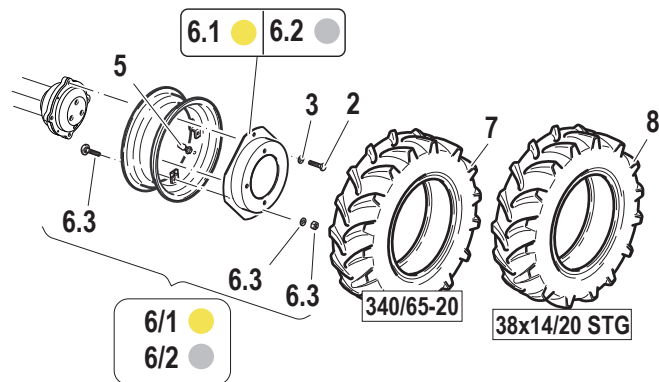
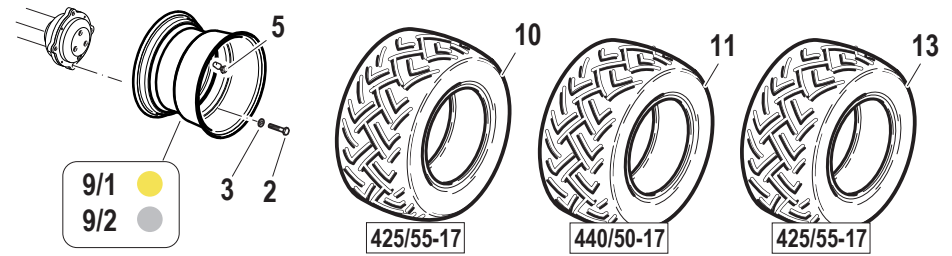
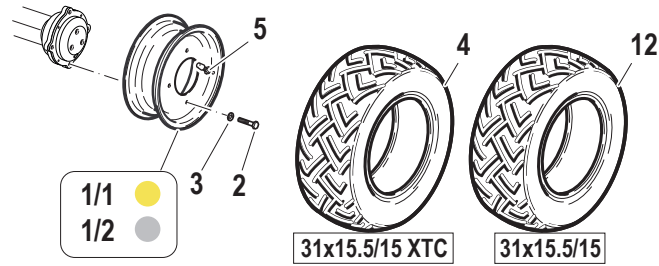
Hp 75

CODE REV

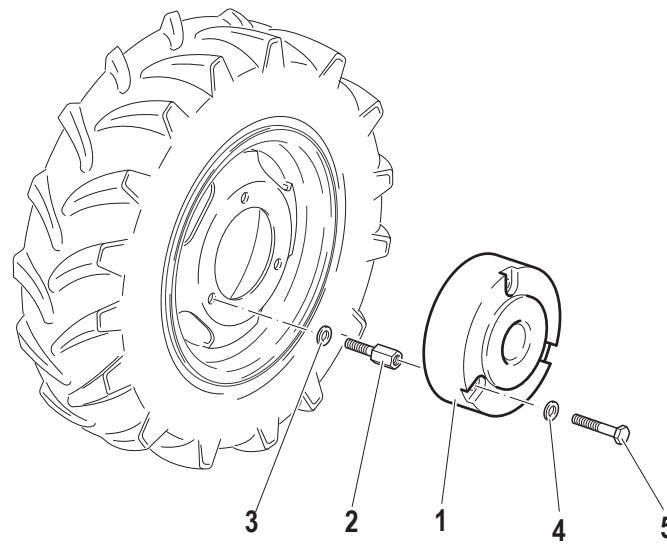
**W.01.01.L60007\_0**



<b>Pos.</b>	<b>Code</b>	<b>Q.ty</b>	<b>Description</b>	<b>Notes</b>
23.1	56177416	4	DISCO CERCHIO 5,50X20 RAL 1003	
23.2	56177417	4	DISCO CERCHIO 5,50X20 RAL 9006	
23/1	59277415	4	RIM	010/05
23/2	59277414	4	RIM	010/05

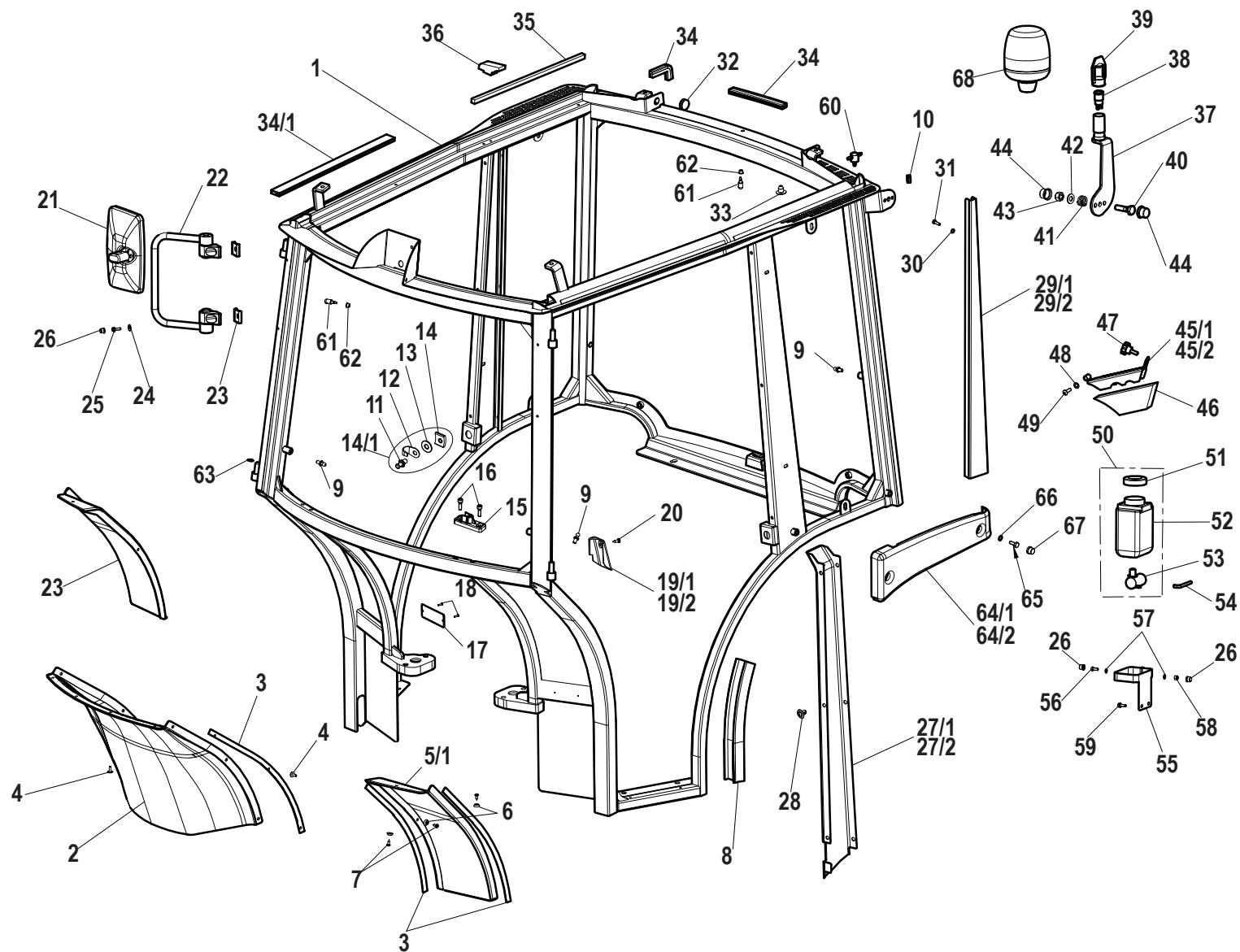


Pos.	Code	Q.ty	Description	Notes
2	F0864410500	16	SCREW M18X1,5/45 U/5740	
3	F0844150000	16	WASHER D.30x18,5/5	
4	F0848681600	4	TYRE 31X15.5-15 8PR	
5	F0150010905	4	VALVE	
7	F0848679700	4	TYRE 340/65 R20	
8	F0848683500	4	TYRE 38X14.00-20 8PR	
10	F0848682050	4	TYRE 425/55-17	038/11
11	F0848682080	4	TYRE 440/50R17U	038/11
12	F0848681605	4	TYRE 31X15.5-15	
13	F0848682070	4	TYRE 425/55 R17	
1/1	58170731	4	RIM	
1/2	58173931	4	RIM	
6.1	58176323	4	FLANGIA CERCHIO W10X20 RAL1003	
6.2	58176324	4	FLANGIA CERCHIO W10X20 RAL9006	
6.3	59900361		KIT	
6/1	59276965	4	RIM	
6/2	59276964	4	RIM	
9/1	581A0613	4	RIM	
9/2	581A0614	4	RIM	



Pos.	Code	Q.ty	Description	Notes
1	51177257	1	BALLAST	
2	56370539	4	SCREW	
3	F0844150000	4	WASHER D.30x18,5/5	
4	F0843993060	4	WASHER	
5	F0864314000	4	SCREW	





Pos.	Code	Q.ty	Description	Notes
1	59900556	1	CHASSIS FRAME	
2	59900557	1	DIVISION	
3	59900558	3.3	FOAM RUBBER	
4	59900397	10	RIVET	
6	59900561	6	WASHER	
7	59900562	6	RIBBED SCREW 4,8X19	
8	59900563	2	GASKET	
9	59900106	6	JOINT	
10	59900075	1	GASKET	
11	59900034	2	PIN	
12	59900026	2	CLEVIS	
13	59900027	2	SHIM M12X36	
14	59900028	2	SMALL PLATE	
15	59900565	2	STOP	
16	59900566	4	SCREW	
17	59900567	1	PLATE	
18	59900030	2	RIVET	
20	59900468	2	RIBBED SCREW 4,8X13	
21	59900006	2	SUMP	
22	59900381	2	ROD	
23	59900383	4	SHIM	
24	59900398	4	WASHER M6X18	
25	59900035	4	SCREW 6X20	
26	59900037	6	NUT COVER	
28	59900572	12	RIVET	
30	59900575	4	LOCK WASHER	
31	31112093	4	SCREW TE M6X20	
32	59900576	2	PLUG	
33	59900577	1	PLUG	
34	59900578	2.6	GASKET	
35	59900580	0.9	FOAM RUBBER	
36	59900581	2	FOAM RUBBER SMALL BLOCK	
37	59900582	1	SUPPORT	
38	59900047	1	SOCKET	

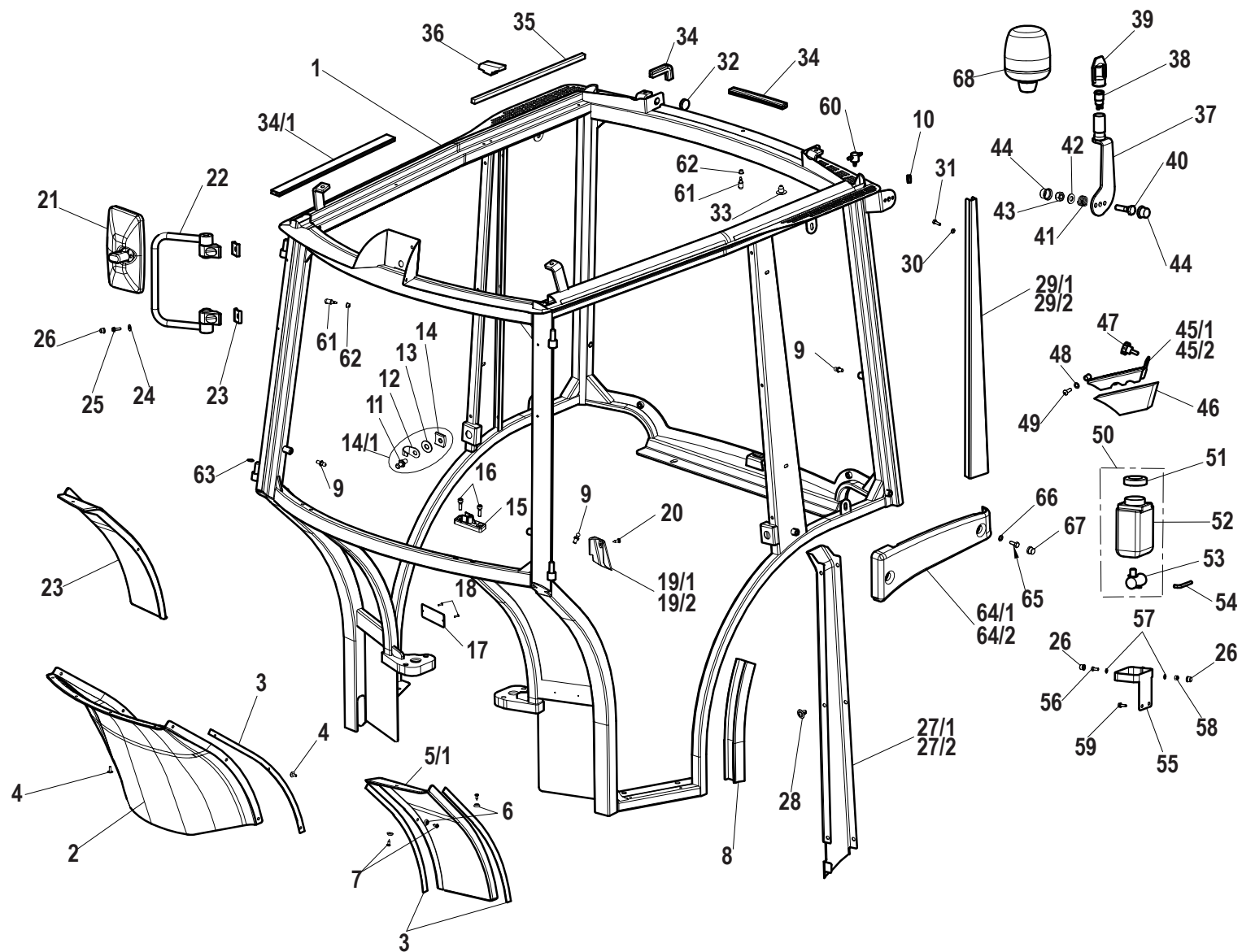
SERIAL

**CABINA BF4 (telaio) (VEGA)**

Hp 75

CODE REV

**Y.01.01.L60007\_0**



Pos.	Code	Q.ty	Description	Notes
39	59900046	1	PLASTIC PLUG	
40	59900583	1	SCREW	
41	59900584	1	SPRING	
42	31411105	2	WASHER 10,5x21	
43	31241100	1	SELFLOCK HEXAGON NUT M10	
44	59900108	2	NUT COVER	
46	59900587	2	FOAM RUBBER	
47	59900013	2	KNOB	
48	59900393	2	ELASTIC WASHER M8 D.17MM	
49	59900588	2	BLACK BINDING HEAD SCREW	
50	59900389	1	TANK	
51	59900010	1	TANK COVER	
52	59900009	1	TANK	
53	59900011	1	ELECTRIC PUMP	
54	59900589	3.2	PIPE	
55	59900590	1	SUPPORT	
56	59900396	1	HEXAGON SCREW M6X15	
57	31411064	2	WASHER 6,4x12,5	
58	31241060	1	HEXAGON SELFLOCK NUT M6	
59	59900031	2	SCREW	
60	59900388	1	PIPE FITTING	
61	59900466	2	COOLING NOZZLE	
62	59900477	2	RUBBER PLUG	
63	59900390	4	ALUMINIUM GASKET WASHER M12X18	
65	31112147	4	SCREW TE M8X18 UNI 5739 8G	
66	31411084	4	WASHER 8,4x17	
67	58170866	4	NUT COVER	
68	58177756	1	ROTARY WARN. LAMP	
5/1	59900559	1	DIVISION	
5/2	59900560	1	DIVISION	
14/1	59900564	1	KIT	
19/1	59900568	1	COVER	
19/2	59900569	1	COVER	
27/1	59900570	6	BRACE COVER	

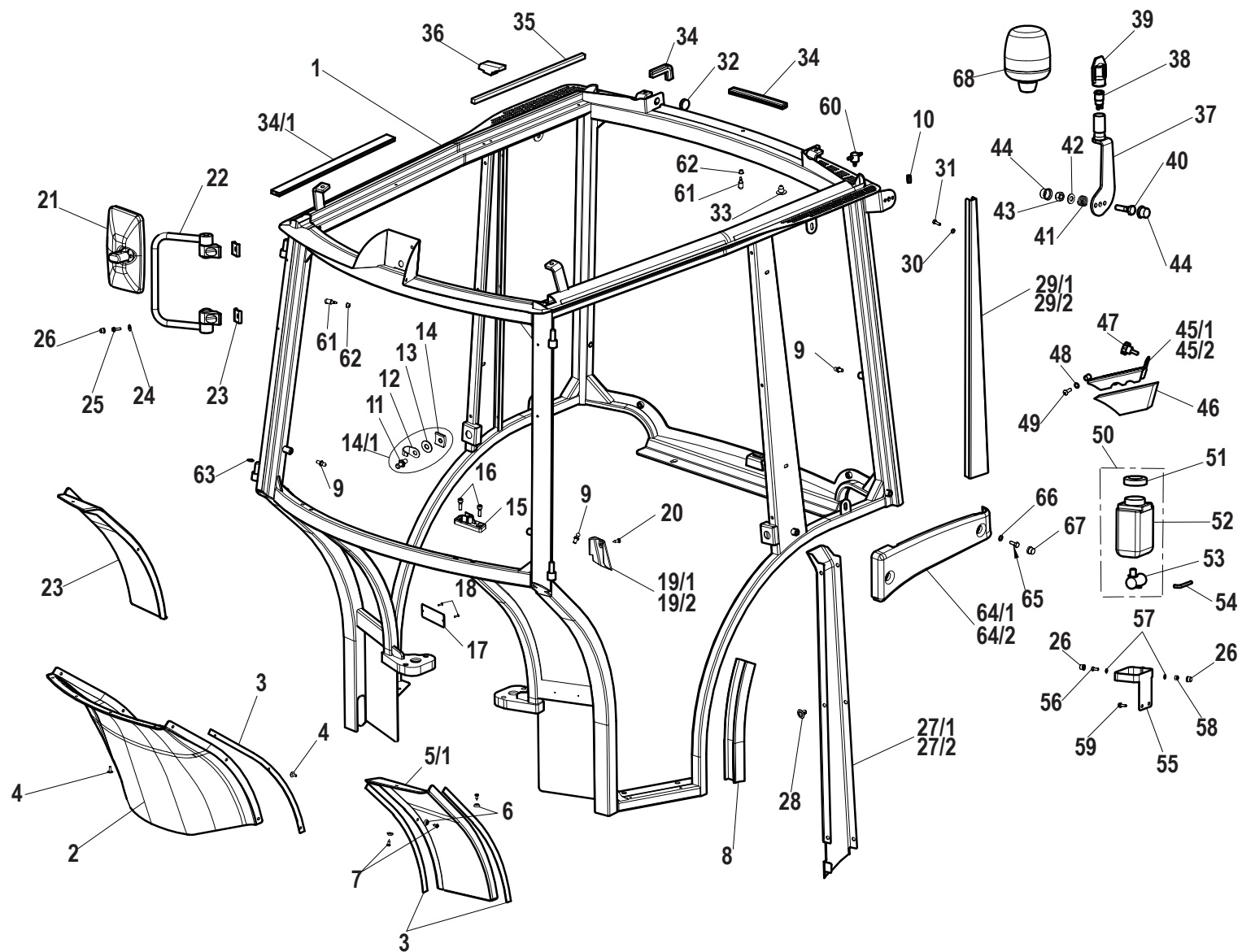
SERIAL

**CABINA BF4 (telaio) (VEGA)**

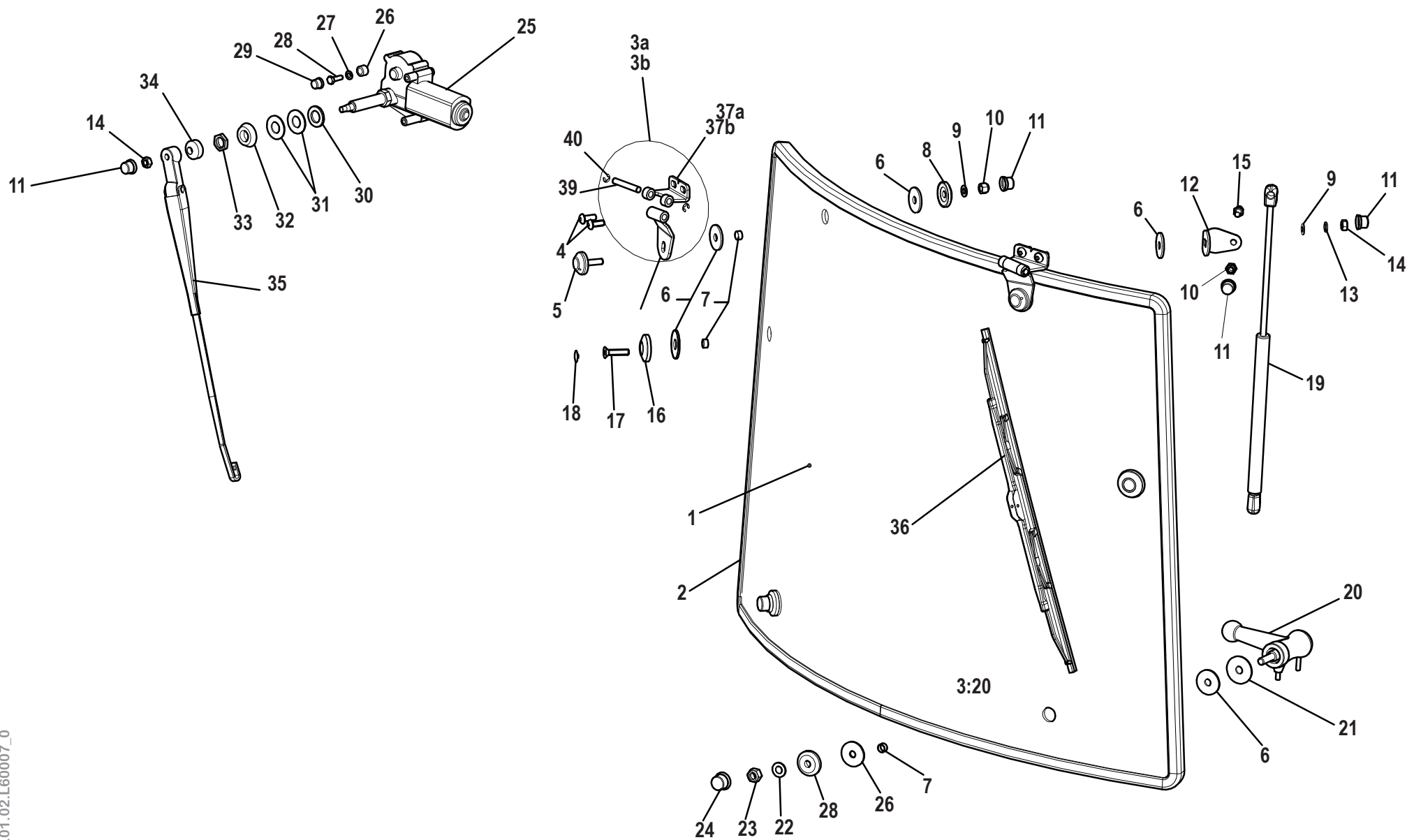
Hp 75

CODE REV

**Y.01.01.L60007\_0**



Pos.	Code	Q.ty	Description	Notes
27/2	59900571	1	BRACE COVER	
29/1	59900573	1	COVER	
29/2	59900574	1	COVER	
34/1	59900579	3.1	GASKET	
45/1	59900585	1	TRIANGLE	
45/2	59900586	1	TRIANGLE	
64/1	57377350V	1	FASCIA LAT.POST.DX(77350)VERDE	
64/2	57377354V	1	FASCIA LAT.POST.SX(77354)VERDE	



Pos.	Code	Q.ty	Description	Notes
1	59900552	1	FRONT GLASS	
2	59900112	1	GLASS GASKET	
4	59900600	4	BLACK BLINDING HEAD SCREW	
5	59900601	2	BOSS	
6	59900074	12	WASHER	
7	59900103	6	RING	
8	59900102	4	PLASTIC WASHER 10x36/8	
9	31411084	4	WASHER 8,4x17	
10	31241080	4	HEXAGON SELFLOCK NUT M8	
11	59900109	7	NUT COVER	
12	59900402	2	SUPPORT	
13	59900117	2	WASHER 11,4 M8	
14	31211060	3	HEXAGONAL NUT M8	
15	59900106	4	JOINT	
16	59900602	2	BOSS	
17	59900603	2	SCREW	
18	59900604	2	SCREW COVER	
19	59900605	2	SPRING	
20	59900094	2	HANDLE	
21	59900404	2	WASHER FOR SUPPORTING M10X36	
22	31411105	2	WASHER 10,5x21	
23	31241100	2	SELFLOCK HEXAGON NUT M10	
24	59900108	2	NUT COVER	
25	59900606	1	WIPER MOTOR	
26	59900607	1	SPACER	
27	31411064	1	WASHER 6,4x12,5	
28	31112093	2	SCREW TE M6X20	
29	59900037	1	NUT COVER	
30	59900407	1	WASHER M16 D.30MM	
31	59900408	2	RUBBER WIPER MOTOR WASHER	
32	59900409	1	CONICAL WASHER FOR WIPER MOTOR	
33	59900608	1	NUT SHAFT WIPER MOTOR	
34	59900107	1	PIN COVER	
35	59900609	1	ARM	

SERIAL

**CABINA BF4 (vetro anteriore)**

Hp 75

CODE REV

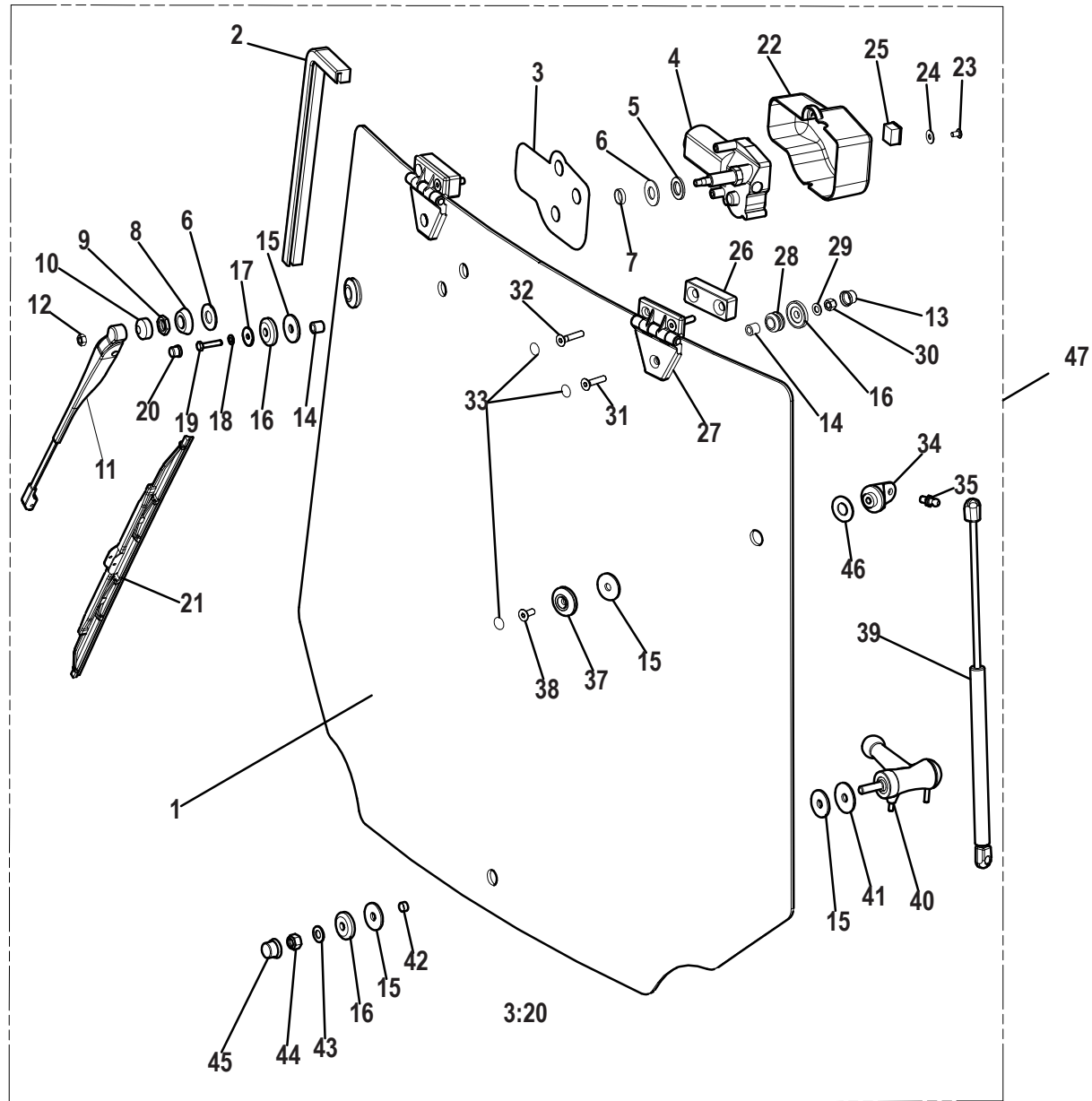
**Y.01.02.L60007\_0**





Pos.	Code	Q.ty	Description	Notes
36	59900610	1	WIPER BLADE	
39	59900615	2	PIN	
3a	59900598	1	LH HINGE	
3b	59900599	1	RH HINGE	
40	59900616	4	RETAINING RING	
42	59900617	1	FRONT GLASS	
37a	59900611	1	LH HINGE	
37b	59900612	1	RH HINGE	
38a	59900613	1	LH HINGE	
38b	59900614	1	RH HINGE	

CABINA BF4 (vetro posteriore)



Pos.	Code	Q.ty	Description	Notes
1	59900553	1	REAR GLASS	
2	59900112	1	GLASS GASKET	
3	59900093	1	DECAL	
4	59900134	1	WIPER MOTOR	
5	59900407	1	WASHER M16 D.30MM	
6	59900408	2	RUBBER WIPER MOTOR WASHER	
7	59900403	1	SPACER	
8	59900409	1	CONICAL WASHER FOR WIPER MOTOR	
9	59900608	1	NUT SHAFT WIPER MOTOR	
10	59900107	1	PIN COVER	
11	59900619	1	WIPER ARM	
12	31211060	1	HEXAGONAL NUT M8	
13	59900109	2	NUT COVER	
14	59900138	3	NYLON RING HINGE 14X13	
15	59900074	5	WASHER	
16	59900102	4	PLASTIC WASHER 10x36/8	
17	59900411	1	WASHER M6X24	
18	31411064	1	WASHER 6,4x12,5	
19	F0862261010	1	HEXAGON HEAD SCREW	
20	59900037	1	NUT COVER	
21	59900620	1	WIPER BLADE	
22	59900414	1	COVER	
23	59900405	2	SCREW	
24	59900406	2	WASHER FOR FIXTING	
25	59900415	1	SWITCH	
26	59900621	2	SHIM	
27	59900622	2	RH HINGE	
28	59900623	2	RUBBER RING	
29	31411084	2	WASHER 8,4x17	
30	31241080	2	HEXAGON SELFLOCK NUT M8	
31	59900624	2	SCREW	
32	59900625	4	SCREW	
33	59900604	8	SCREW COVER	
34	59900101	2	CONNECTION	

SERIAL

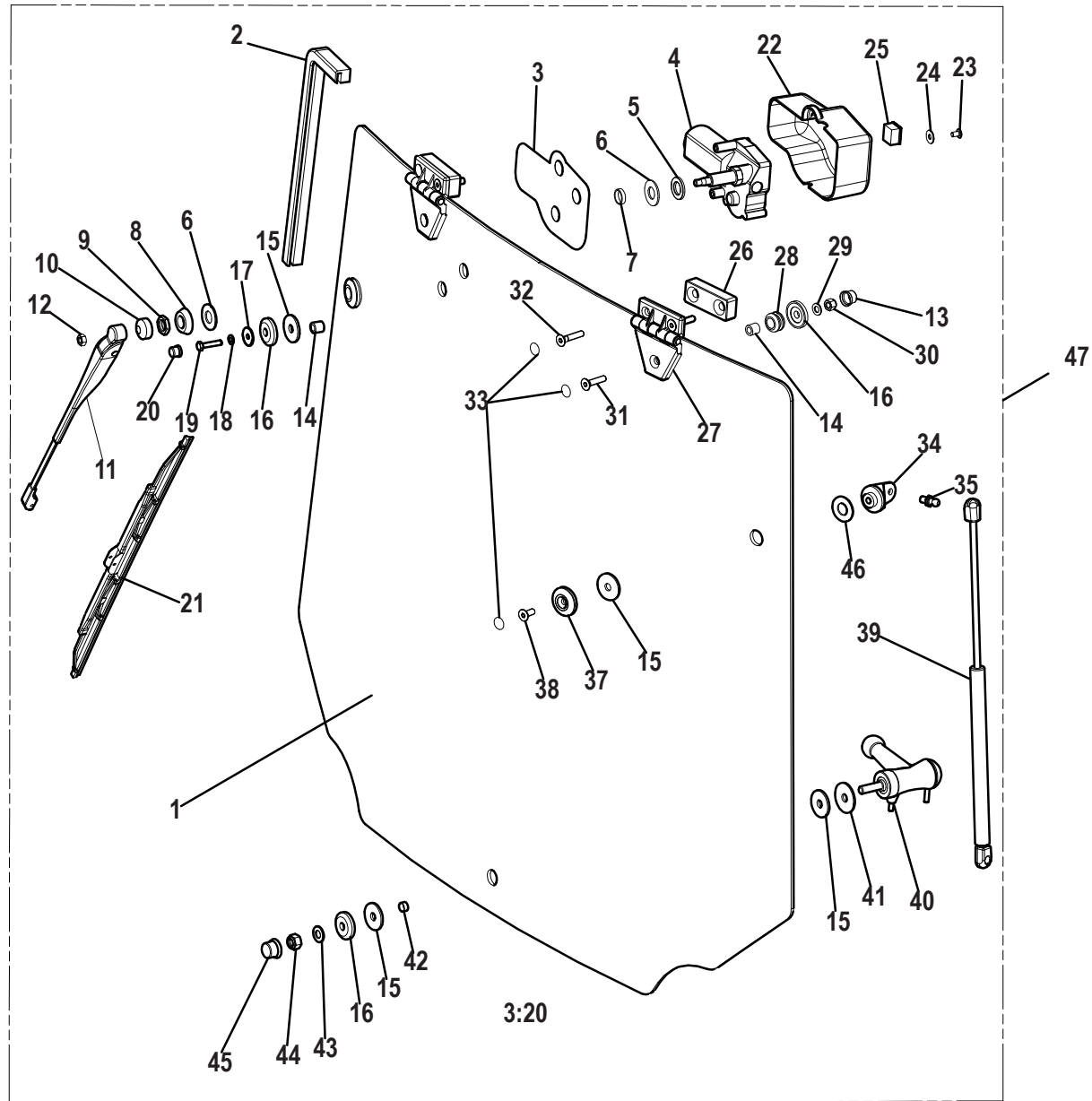
**CABINA BF4 (vetro posteriore)**

Hp 75

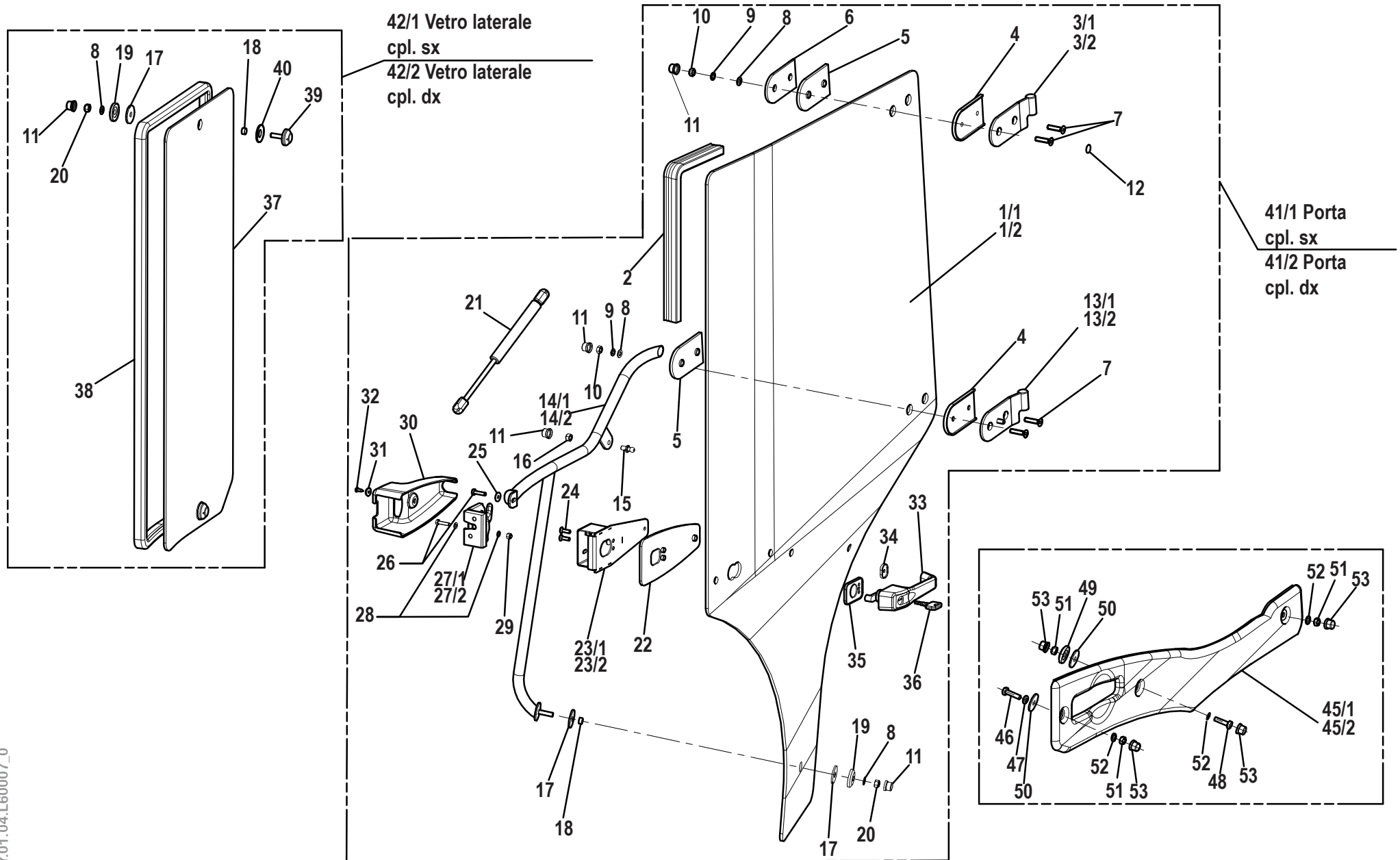
CODE REV

**Y.01.03.L60007\_0**

CABINA BF4 (vetro posteriore)



Pos.	Code	Q.ty	Description	Notes
35	59900106	2	JOINT	
36	31241081	2	HEXAGON SELFLOCK NUT	
37	59900602	2	BOSS	
38	59900628	2	SCREW	
39	59900118	2	PNEUMATIC SPRING	
40	59900094	1	HANDLE	
41	59900404	1	WASHER FOR SUPPORTING M10X36	
42	59900103	1	RING	
43	31411105	1	WASHER 10,5x21	
44	31241100	1	SELFLOCK HEXAGON NUT M10	
45	59900108	1	NUT COVER	
46	59900629	2	RUBBER WASHER	
47	59900630	1	REAR GLASS	



Pos.	Code	Q.ty	Description	Notes
2	59900631	1	GASKET	
4	59900425	2	GASKET	
5	59900426	2	GASKET	
6	59900427	1	PLATE	
7	59900624	4	SCREW	
8	31411084	7	WASHER 8,4x17	
9	59900117	4	WASHER 11,4 M8	
10	31211060	4	HEXAGONAL NUT M8	
11	59900109	8	NUT COVER	
12	59900604	4	SCREW COVER	
15	59900106	2	JOINT	
16	31241081	1	HEXAGON SELFLOCK NUT	
17	59900074	4	WASHER	
18	59900429	3	NYLON DISTANCE RING	
19	59900102	3	PLASTIC WASHER 10x36/8	
20	31241080	1	HEXAGON SELFLOCK NUT M8	
21	59900640	1	SPRING	
22	59900641	1	S/BASE GOMMA SERR.T5 628014631	
24	59900644	1	SCREW	
25	59900398	1	WASHER M6X18	
26	59900432	3	HEXAGON HEAD SCREW	
28	31411064	4	WASHER 6,4x12,5	
29	31241060	2	HEXAGON SELFLOCK NUT M6	
30	59900647	1	LOCK COVER	
31	59900561	1	WASHER	
32	59900468	1	RIBBED SCREW 4,8X13	
33	59900649	1	DOOR HANDLE	
34	59900650	1	GASKET	
35	59900651	1	GASKET	
36	59900652	1	KEY	
37	59900653	1	RH SIDE GLASS	
38	59900654	1	GLASS GASKET	
39	59900601	2	BOSS	
40	59900656	2	GASKET	

SERIAL

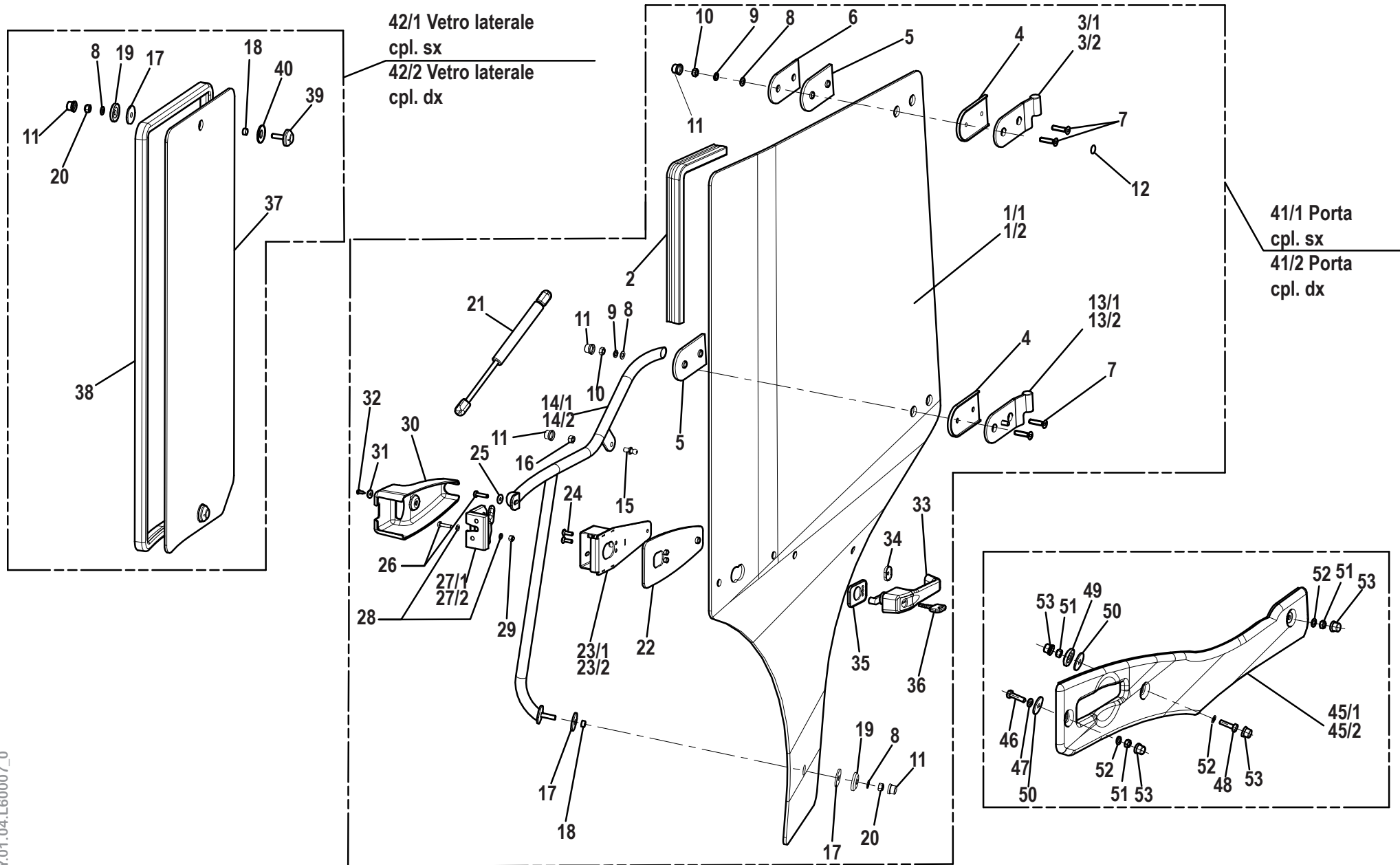
**CABINA BF4 (vetri porte) (VEGA)**

Hp 75

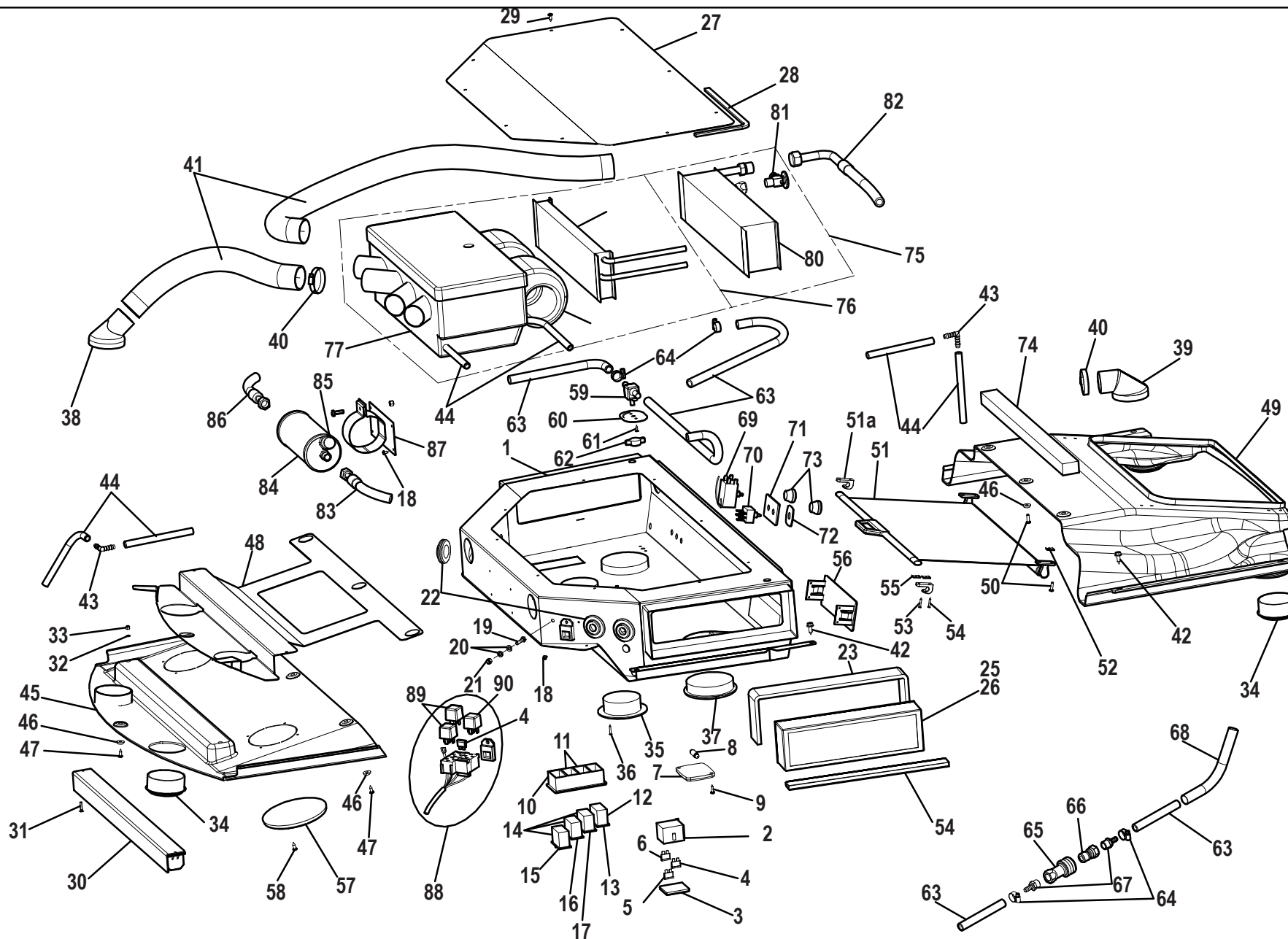
CODE REV

**Y.01.04.L60007\_0**





Pos.	Code	Q.ty	Description	Notes
46	F0862479032	2	SCREW M8X25 7380	
47	31411090	2	WASHER 9x24	
48	F0862694000	4	SCREW M8X170 UNI 5737	
49	58170863	4	BLOCK	
50	58170864	6	GASKET	
51	F0814585000	8	SELFLOCK NUT	
52	31411084	8	WASHER 8,4x17	
53	58170866	12	NUT COVER	
1/1	59900543	1	LH DOORGLASS	
1/2	59900544	1	RH DOORGLASS	
3/1	59900632	1	RH HINGE	
3/2	59900633	1	RH HINGE	
13/1	59900636	1	RH HINGE	
13/2	59900637	1	RH HINGE	
14/1	59900638	1	HANDLE	
14/2	59900639	1	HANDLE	
23/1	59900642	1	SUPPORT	
23/2	59900643	1	SUPPORT	
27/1	59900645	1	LH LOCK SMALL BLOCK	
27/2	59900646	1	RH LOCK SMALL BLOCK	
41/1	59900657	1	CAB DOOR - LEFT	
41/2	59900658	1	CAB DOOR RIGHT	
42/1	59900659	1	LH SIDE GLASS	
42/2	59900660	1	RH SIDE GLASS	
45/1	57377338V	1	FASCIA LAT.ANT.SX(77338) VERDE	
45/2	57377334V	1	FASCIA LAT.ANT.DX(77334) VERDE	



Pos.	Code	Q.ty	Description	Notes
1	59900663	1	INNER CAB ROOF PANEL	
2	59900058	1	FUSE-HOLDER	
3	59900057	1	COVER	
4	59900665	2	FUSE/LOCK	
5	59900666	2	FUSE/LOCK	
6	59900667	3	FUSE/LOCK	
7	59900459	1	PLAFONIERA PER VENTILAZIONE	
8	59900668	1	LAMP	
9	59900460	2	RIBBED SCREW 3,5X16	
10	59900051	2	SWITCH SUPPORT	
11	59900052	2	SWITCH SUPPORT	
12	59900054	1	SWITCH	
13	59900669	1	GLASS	
14	59900053	3	SWITCH	
15	59900670	1	GLASS	
16	59900671	1	GLASS	
17	59900672	1	GLASS	
18	59900673	6	SCREW	
19	59900432	1	HEXAGON HEAD SCREW	
20	31411064	2	WASHER 6,4x12,5	
21	31241060	1	HEXAGON SELFLOCK NUT M6	
22	59900469	3	PLUG	
23	59900674	1	CELLULAR FOAM	
24	59900579	0.7	GASKET	
25	59900676	2	FILTER	
26	59900677	2	CARBON FILTER	
27	59900678	1	COVER	
28	59900679	2.2	CELLULAR FOAM	
29	59900439	9	SUNK HEAD RIBBED SCREW	
30	59900680	1	ROLL-UP SUN-SHADE	
31	59900681	2	SCREW	
32	59900682	2	WASHER M4	
33	59900683	2	HEXAGON NUT M4	
34	59900474	4	TONGUE	

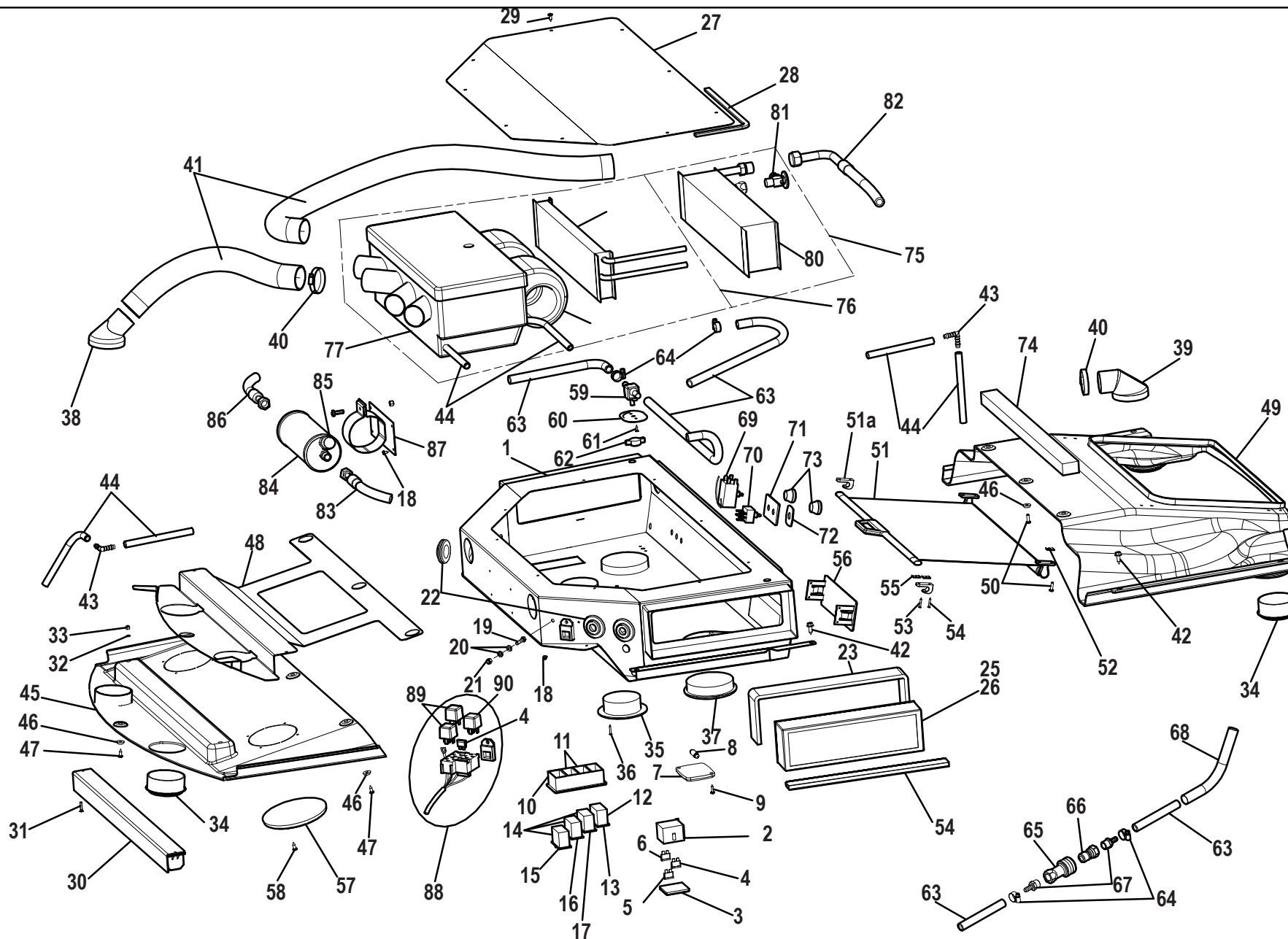
SERIAL

**CABINA BF4 (sottotetto)**

Hp 75

CODE REV

**Y.01.05.L60007\_0**



Y.01.05.L60007\_0

Pos.	Code	Q.ty	Description	Notes
35	59900463	2	TONGUE	
36	59900464	6	SUNK HEAD RIBBED SCREW 2,9X19	
37	59900684	2	TONGUE	
38	59900685	2	PIPE FITTING	
39	59900686	2	PIPE FITTING	
40	59900455	8	HOSE CLIP	
41	59900687	3.1	PIPE	
42	59900395	8	RIBBED SCREW 6,5X20	
43	59900688	4	ELBOW	
44	59900689	4.4	RUBBER HOSE	
45	59900691	1	INNER CAB ROOF PANEL	
46	59900561	7	WASHER	
47	59900562	4	RIBBED SCREW 4,8X19	
48	59900694	1	SUPPORT	
49	59900695	1	INNER CAB ROOF PANEL	
50	59900516	7	RIBBED SCREW 4,8X16	
51	59900696	1	ROLL-UP SUN-SHADE	
52	59900698	4	STOP	
53	59900699	2	SCREW	
54	59900464	2	SUNK HEAD RIBBED SCREW 2,9X19	
55	59900700	4	STOP	
56	59900701	1	COVER	
57	59900702	2	GRILLE	
58	59900468	8	RIBBED SCREW 4,8X13	
59	59900068	1	COCK OR TAP	
60	59900444	1	FRONT GRILLE	
61	59900699	2	SCREW	
62	59900070	1	KNOB	
63	59900069	9.8	PIPE	
64	59900071	10	PIPE CONNECTION	
65	59900018	2	CONNECTION	
66	59900019	2	CONNECTION	
67	59900020	4	PIPE FITTING	
68	59900704	1.4	SHEATH	

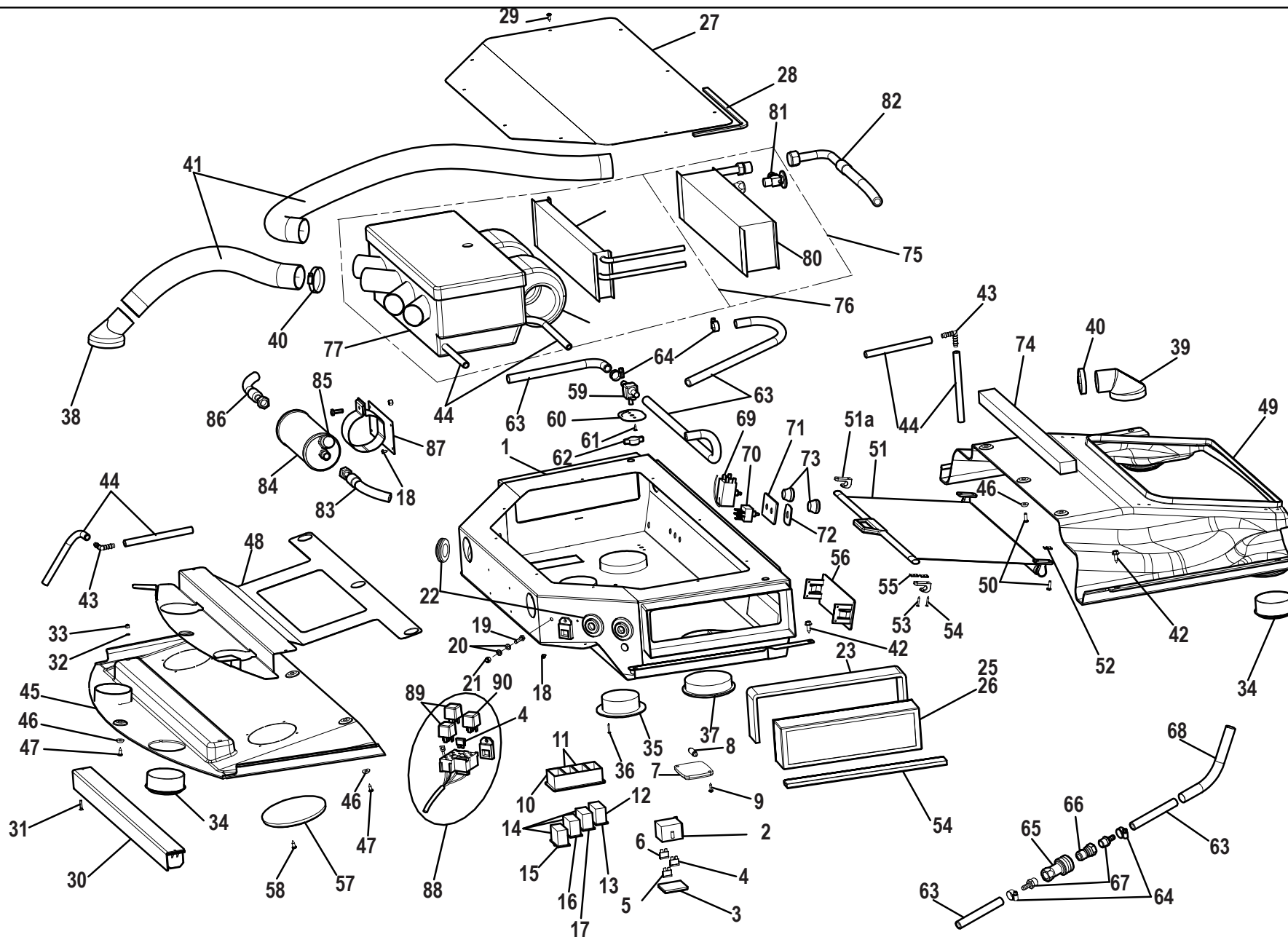
SERIAL

**CABINA BF4 (sottotetto)**

Hp 75

CODE REV

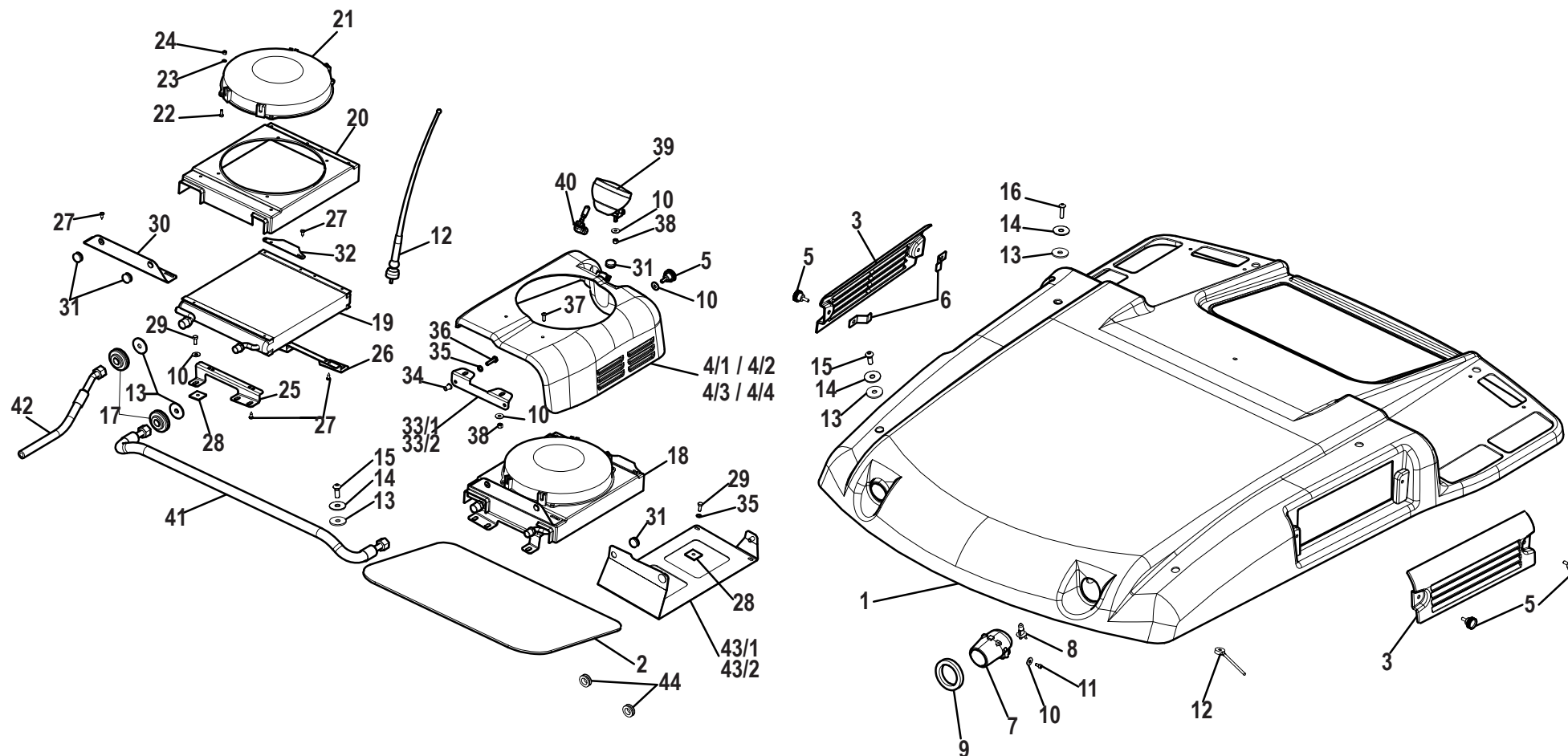
**Y.01.05.L60007\_0**



Y.01.05.L60007\_0

Pos.	Code	Q.ty	Description	Notes
69	59900507	1	THERMOSTAT	
70	59900449	1	SWITCH	
71	59900705	1	FUSE BOX BADGE	
72	59900448	1	PLATE	
73	59900447	1	KNOB	
74	59900023	0.52	FOAM RUBBER	
75	59900706	1	UNIT	
76	59900707	1	UNIT	
77	59900708	1	KIT	
78	59900440	1	DIGITAL INSTRUMENT	
79	59900441	1	RADIATOR	
80	59900709	1	VAPORIZER	
81	59900506	1	VALVE	
82	59900710	1	PIPE	
83	59900711	1	PIPE	
84	59900712	1	FILTER	
85	59900713	1	BULB	
86	59900714	1	PIPE	
87	59900715	1	RETAINER	
88	59900716	1	ELECTRICAL SYSTEM KIT	
89	59900521	2	RELAY	
90	59900717	1	RELAY	
1.1	59900664	0.77	LINING	
51a	59900697	2	CLEVIS	
44.1	59900690	5.1	PLASTIC PIPE	





Pos.	Code	Q.ty	Description	Notes
1	59900718	1	ROOF	
2	59900719	1	GLASS	
3	59900720	2	GRILLE	
5	59900725	6	KNOB	
6	59900726	4	FIXING BRACKET	
7	59900727	2	HEADLIGHT	
8	59900728	2	LAMP	
9	59900580	0.45	FOAM RUBBER	
10	59900398	16	WASHER M6X18	
11	59900730	4	SCREW	
12	59900731	1	AERIAL	
13	59900074	10	WASHER	
14	59900404	6	WASHER FOR SUPPORTING M10X36	
15	59900732	4	SCREW	
16	59900733	1	SCREW	
17	59900469	4	PLUG	
18	59900734	2	CONDENSER	
19	59900735	2	CONDENSER	
20	59900736	2	DUCT	
21	59900737	2	FAN	
22	59900738	8	SCREW	
23	59900739	8	WASHER M5	
24	59900740	8	SELFLOCK NUT M5	
25	59900741	4	FIXING BRACKET	
26	59900742	4	FIXING BRACKET	
27	59900468	16	RIBBED SCREW 4,8X13	
28	59900744	8	RUBBER PLUG	
29	59900396	8	HEXAGON SCREW M6X15	
30	59900745	2	FIXING BRACKET	
31	59900075	4	GASKET	
32	59900746	2	FIXING BRACKET	
34	59900749	4	INSERT	
35	31411064	12	WASHER 6,4x12,5	
36	59900432	4	HEXAGON HEAD SCREW	

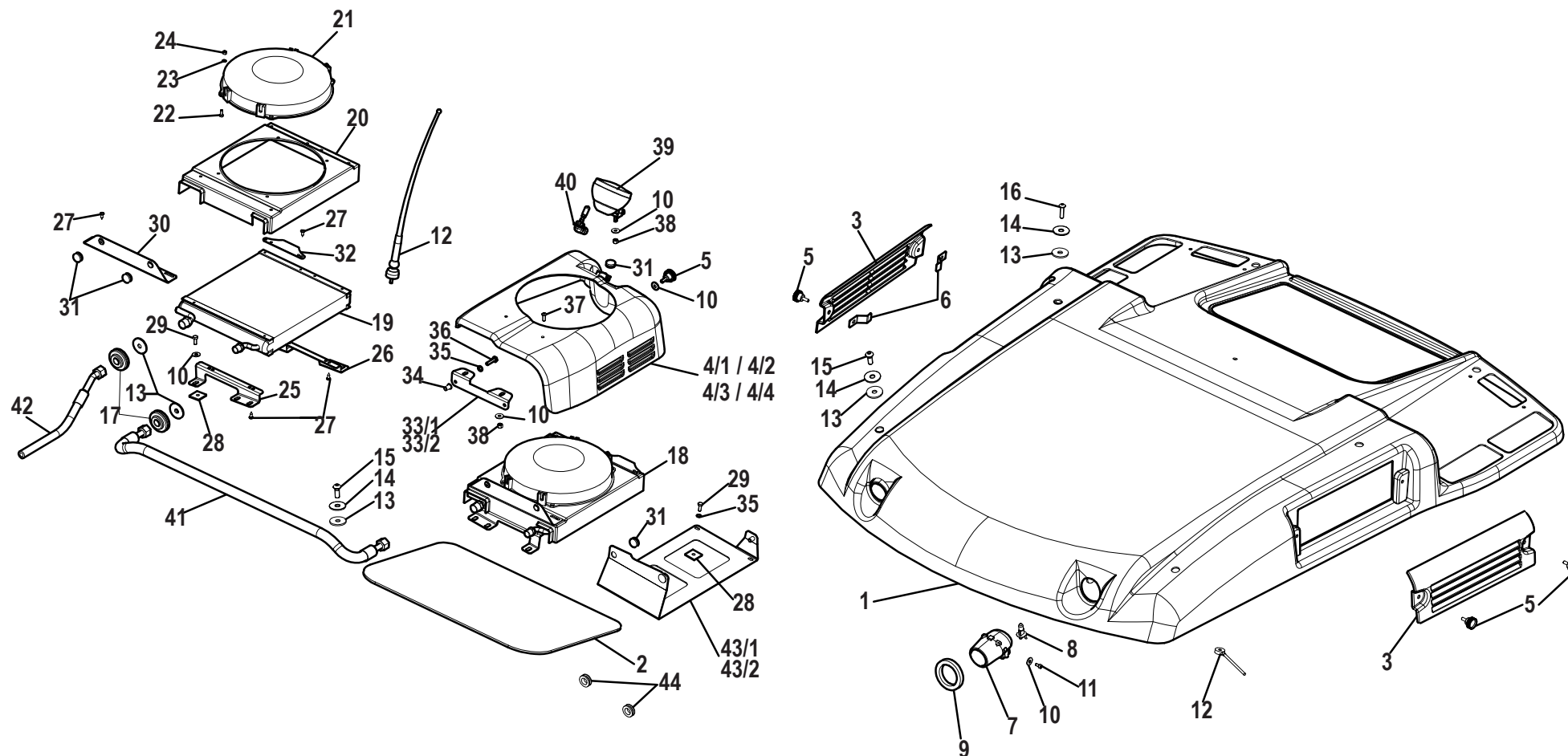
SERIAL

**CABINABF4 (guscio tetto)**

Hp 75

CODE REV

**Y.01.06.L60007\_0**



Pos.	Code	Q.ty	Description	Notes
37	59900750	4	SCREW	
38	31241060	6	HEXAGON SELFLOCK NUT M6	
39	59900751	2	WORKING SPOTLIGHT	
40	59900752	2	LAMP	
41	59900753	1	CONNECTION PIPE	
42	59900754	1	PIPE	
44	59900576	4	PLUG	
4/1	59900721	1	COVER	
4/2	59900722	1	COVER	
4/3	59900723	1	COVER	
4/4	59900724	1	COVER	
33/1	59900747	1	LEFT BRACKET	
33/2	59900748	1	RIGHT YOKE	
43/1	59900755	1	SUPPORT	
43/2	59900756	1	SUPPORT	

# SPARE PARTS INSTANCE INDEX





## SPARE PARTS INSTANCE INDEX

Code	Parts Table	Pos.	Q.ty	Code	Parts Table	Pos.	Q.ty	Code	Parts Table	Pos.	Q.ty
28174882	A.03.03.L60008_0	5		30000245	D.15.02.L60007_1	54	1	31111091	A.03.03.L60008_3	2	4
	A.03.03.L60008_1	5		30000246	G.01.02.L60008_0	13	1		A.03.03.L60008_4	2	4
	A.03.03.L60008_2	5		30000250	G.01.02.L60008_1	13	1		A.03.05.L60008_2	2	4
	A.03.05.L60008_0	5	0		G.01.02.L60008_2	13	1		A.03.05.L60008_3	2	4
	A.03.05.L60008_1	5	0	30000506	E.04.01.L60007_0	1	1		A.03.05.L60008_4	2	4
	A.03.05.L60008_2	5		30000514	B.03.01.L60007_0	24	1		B.02.01.L60007_0	19	2
28177274	B.01.01.L60007_1	3	1		B.03.01.L60008_0	24	1		F.02.01.L60007_0	6	
	B.01.02.L60002_2	3	1	30000638	D.03.01.L60007_0	43	1		F.02.01.L60008_1	6	
30000005	M.01.01.L60007_0	36	1		D.03.01.L60008_2	43	1	31111097	D.03.01.L60007_0	1	2
30000007	C.01.01.L60007_0	23	4	30000787	L.02.08.L60007_0	26	1		D.03.01.L60008_2	1	2
	D.03.02.L60007_0	11	1		L.02.11.L60007_0	26	1	31111102	D.15.01.L60007_0	64	3
	D.03.02.L60007_1	11	1	30021119	D.03.01.L60008_2	41	2		D.15.01.L60007_1	64	3
	D.15.01.L60007_0	29	2	30021170	A.04.02.L60008_2	9	1		D.15.02.L60007_0	64	3
	D.15.01.L60007_1	29	2	30021180	A.04.02.L60008_2	7	2		D.15.02.L60007_1	64	3
	D.15.02.L60007_0	29	2	30030016	A.02.01.L60007_0	10	2	31111151	A.01.02.L60008_0	7	4
	D.15.02.L60007_1	29	2		A.02.01.L60008_1	10	2		A.01.02.L60008_1	7	4
30000197	F.02.02.L60007_1	21	1	30030060	D.03.01.L60007_0	32	2		A.01.02.L60008_2	6	3
	L.02.01.L60007_0	5	1		D.03.01.L60008_2	32	2		A.01.02.L60008_3	6	3
	L.02.02.L60007_0	5	1	30040035	C.03.01.L60007_0	16	1		A.01.05.L60008_0	7	4
	L.02.03.L60007_0	5	1	31100789	M.01.01.L60007_0	25	1		A.01.05.L60008_1	3	3
	L.02.08.L60007_0	21	2	31111084	B.07.01.L60007_0	35	4		A.03.03.L60008_0	27	2
	L.02.11.L60007_0	21	2		B.07.01.L60007_1	35	4		A.03.03.L60008_1	27	2
30000211	F.03.01.L60007_0	20	2		B.07.01.L60007_2	35	4		A.03.03.L60008_2	27	2
30000244	L.02.01.L60007_0	38	2		B.07.01.L60007_3	35	4		A.03.03.L60008_3	40	2
	L.02.02.L60007_0	35	3		E.03.01.L60007_0	7	16		A.03.03.L60008_4	40	2
	L.02.03.L60007_0	33	3	31111089	E.05.01.L60008_0	6	2		A.03.05.L60008_0	27	2
	L.02.07.L60007_0	28	2		E.05.01.L60008_1	6	2		A.03.05.L60008_1	27	2
	L.02.09.L60007_0	27	2		E.05.01.L60008_2	6	2		A.03.05.L60008_2	27	2
	M.02.01.L60007_0	19	1	31111090	M.02.01.L60007_0	28	4		A.03.05.L60008_3	40	2
	M.02.03.L60007_0	17	1		M.02.03.L60007_0	22	4		A.03.05.L60008_4	40	2
	M.02.04.L60007_0	17	1		M.02.04.L60007_0	22	4		A.05.01.L60007_0	29	1
30000245	D.15.01.L60007_0	54	1	31111091	A.03.03.L60008_0	2	4		B.01.01.L60007_0	17	1
	D.15.01.L60007_1	54	1		A.03.03.L60008_1	2	4		B.02.01.L60007_0	31	2
	D.15.02.L60007_0	54	1		A.03.03.L60008_2	2	4		B.02.01.L60008_1	25	2

## SPARE PARTS INSTANCE INDEX

Code	Parts Table	Pos.	Q.ty	Code	Parts Table	Pos.	Q.ty	Code	Parts Table	Pos.	Q.ty
31111151	C.01.01.L60007_0	35	2	31112082	E.05.01.L60008_0	10	4	31112093	Y.01.02.L60007_0	28	2
	D.12.02.L60007_0	17	1		E.05.01.L60008_1	10	4	31112096	A.05.01.L60007_0	27	2
	F.01.01.L60007_0	24	3		E.05.01.L60008_2	10	4	31112146	D.07.01.L60007_0	11	4
	F.03.01.L60007_0	29	2		F.02.02.L60007_1	20	2		D.07.01.L60007_1	11	4
	L.01.03.L60007_0	25	2		L.01.01.L60002_0	14	2	31112147	C.03.01.L60007_0	15	6
	S.01.01.L60007_0	47	3		L.01.01.L60007_0	14	2		D.13.01.L60007_0	9	1
31111156	D.01.01.L60007_0	2	1		L.01.03.L60007_0	14	2		D.13.03.L60007_0	13	16
	D.16.01.L60002_0	2	1		M.01.01.L60007_0	15	2		D.14.01.L60007_0	7	2
	D.16.01.L60007_3	2	1	31112086	D.15.01.L60007_0	33	1		D.14.01.L60007_1	7	2
31111218	A.05.01.L60007_0	14	2		D.15.01.L60007_1	33	1		D.14.01.L60007_2	7	2
31111330	U.01.02.L60008_0	16	2		D.15.02.L60007_0	33	1		G.02.01.L60007_0	8	12
31111331	B.01.01.L60007_0	2	1		D.15.02.L60007_1	33	1		L.02.01.L60007_0	28	1
	B.01.02.L60002_2	2	1	31112089	L.02.08.L60007_0	46	2		L.02.02.L60007_0	26	1
31112049	J.01.01.L60007_0	13	3	31112090	A.01.02.L60008_0	23	2		L.02.03.L60007_0	24	1
	J.01.01.L60007_1	13	3		A.01.02.L60008_1	23	2		Y.01.01.L60007_0	65	4
	J.01.01.L60007_2	11	3		A.01.02.L60008_2	22	2	31112148	B.01.01.L60007_1	23	2
	J.01.01.L60007_3	11	3		A.01.02.L60008_3	22	2	31112149	B.02.01.L60007_0	29	4
	J.01.02.L60007_0	13	3		A.01.05.L60008_0	23	2		B.02.01.L60008_1	22	4
	J.01.02.L60007_1	11	3		A.01.05.L60008_1	17	2		B.02.01.L60008_2	20	4
31112051	A.02.01.L60007_0	25	1		C.01.01.L60007_0	3	4		L.01.01.L60002_0	9	2
	A.02.01.L60008_1	25	1	31112092	B.01.02.L60002_2	24	1		L.01.01.L60007_0	9	2
31112082	A.01.02.L60008_0	13	2		L.02.08.L60007_0	48	2		L.01.03.L60007_0	9	2
	A.01.02.L60008_1	13	2	31112093	D.03.02.L60007_0	3	2		M.01.01.L60007_0	10	2
	A.01.02.L60008_2	12	2		D.03.02.L60007_1	3	2	31112150	B.01.01.L60007_0	5	2
	A.01.02.L60008_3	12	2		D.12.02.L60007_0	15	1		B.01.01.L60007_1	5	2
	A.01.05.L60008_0	13	2		M.01.01.L60007_0	56	2		B.01.02.L60002_2	5	2
	A.01.05.L60008_1	27	2		M.02.01.L60007_0	21	2		B.02.01.L60007_0	13	2
	A.03.05.L60008_0	2	4		T.01.01.L60007_0	19	1		B.02.01.L60008_1	8	2
	A.03.05.L60008_1	2	4		T.01.02.L60007_0	21	1		D.12.02.L60007_0	7	1
	B.01.01.L60007_0	21	4		T.01.05.L60007_0	23	1		F.01.01.L60007_0	12	4
	B.01.01.L60007_1	21	4		T.01.06.L60007_0	19	1		F.03.01.L60007_0	16	2
	B.01.02.L60002_2	22	3		T.01.08.L60007_0	21	1		G.02.01.L60007_0	5	2
	B.08.01.L60007_0	4	3		T.01.09.L60007_0	23	1		L.01.01.L60002_0	25	2
	B.08.02.L60007_0	4	3		Y.01.01.L60007_0	31	4		L.01.01.L60007_0	25	2

## SPARE PARTS INSTANCE INDEX

Code	Parts Table	Pos.	Q.ty
31112150	M.01.01.L60007_0	35	2
	S.01.01.L60007_0	42	2
31112151	A.03.03.L60008_0	16	1
	A.03.03.L60008_1	16	1
	A.03.03.L60008_2	16	1
	A.03.03.L60008_3	16	1
	A.03.03.L60008_4	16	1
	A.03.05.L60008_0	16	1
	A.03.05.L60008_1	16	1
	A.03.05.L60008_2	16	1
	A.03.05.L60008_3	16	1
	A.03.05.L60008_4	16	1
	B.01.01.L60007_0	8	1
	B.01.01.L60007_1	8	1
	B.01.02.L60002_2	8	2
	B.04.01.L60007_0	7	8
	B.04.02.L60007_0	7	8
	C.03.01.L60007_0	3	2
	D.03.01.L60007_0	35	2
	D.03.01.L60008_2	35	1
31112152	D.03.01.L60008_2	44	1
	D.03.02.L60007_0	4	2
	D.03.02.L60007_1	4	2
	D.07.01.L60007_0	12	3
	D.07.01.L60007_1	12	3
	D.15.01.L60007_0	19	1
	D.15.01.L60007_1	19	1
	D.15.02.L60007_0	19	1
	D.15.02.L60007_1	19	1
31112153	A.01.02.L60008_0	17	1
	A.01.02.L60008_1	17	1
	A.01.02.L60008_2	16	1
	A.01.02.L60008_3	16	1
	A.01.05.L60008_0	17	1

Code	Parts Table	Pos.	Q.ty
31112153	A.01.05.L60008_1	15	1
	G.02.01.L60007_0	3	2
	G.02.01.L60007_0	17	1
31112154	D.07.01.L60007_0	13	1
	D.07.01.L60007_1	13	1
	G.02.01.L60007_0	15	2
31112155	D.03.02.L60007_0	19	2
	D.03.02.L60007_1	19	2
	G.02.01.L60007_0	16	1
31112156	G.02.01.L60007_0	14	2
31112159	A.01.05.L60008_0	40	1
	A.01.05.L60008_1	35	1
31112160	B.08.01.L60007_0	8	1
	B.08.02.L60007_0	8	1
	L.02.01.L60007_0	40	6
	L.02.02.L60007_0	37	3
	L.02.03.L60007_0	35	3
	L.02.07.L60007_0	43	6
	S.01.01.L60007_0	49	1
31112161	D.11.01.L60007_0	3	2
	D.11.01.L60007_1	3	2
31112174	A.01.02.L60008_0	15	1
	A.01.02.L60008_1	15	1
	A.01.02.L60008_2	14	1
	A.01.02.L60008_3	14	1
	A.01.05.L60008_0	15	1
	A.01.05.L60008_1	11	1
	G.01.02.L60008_1	5	1
	G.01.02.L60008_2	5	1
31112208	A.01.02.L60008_2	30	1
	A.01.02.L60008_3	30	1
	A.01.05.L60008_1	40	1
31112210	A.01.02.L60008_0	31	1
	A.01.02.L60008_1	31	1

Code	Parts Table	Pos.	Q.ty
31112210	A.01.05.L60008_0	31	1
	D.14.01.L60007_0	38	2
	D.14.01.L60007_1	38	2
	D.14.01.L60007_2	38	2
	E.01.01.L60007_0	5	1
	E.01.01.L60008_1	5	1
	E.01.01.L60008_2	5	1
	F.01.01.L60007_0	14	4
	F.02.02.L60007_0	10	
	F.02.02.L60007_1	10	
	T.01.01.L60007_0	13	2
	T.01.02.L60007_0	16	2
	T.01.06.L60007_0	13	2
	T.01.08.L60007_0	16	2
31112211	C.01.01.L60007_0	6	4
	D.15.01.L60007_0	13	4
	D.15.01.L60007_1	13	4
	D.15.02.L60007_0	13	4
	D.15.02.L60007_1	13	4
	L.01.01.L60002_0	3	5
	L.01.01.L60007_0	3	5
	L.01.03.L60007_0	3	6
	L.03.03.L60007_0	8	2
	M.01.01.L60007_0	3	4
	S.01.01.L60007_0	17	2
	T.01.01.L60007_0	7	8
	T.01.02.L60007_0	10	8
	T.01.05.L60007_0	15	8
	T.01.06.L60007_0	7	8
	T.01.08.L60007_0	10	8
	T.01.09.L60007_0	15	8
31112212	A.01.02.L60008_2	37	3
	A.01.02.L60008_3	37	3
	A.01.05.L60008_1	10	3



## SPARE PARTS INSTANCE INDEX

Code	Parts Table	Pos.	Q.ty	Code	Parts Table	Pos.	Q.ty	Code	Parts Table	Pos.	Q.ty
31112212	A.03.03.L60008_0	11	2	31112219	F.02.01.L60007_0	10		31112802	B.04.02.L60007_0	21	8
	A.03.03.L60008_1	11	2		F.02.01.L60008_1	10		31121006	A.03.03.L60008_3	24	2
	A.03.03.L60008_2	11	2		L.01.01.L60002_0	2	1		A.03.03.L60008_4	24	2
	A.03.05.L60008_0	11	2		L.01.01.L60007_0	2	1		A.03.05.L60008_3	24	2
	A.03.05.L60008_1	11	2		L.01.03.L60007_0	2	1		A.03.05.L60008_4	24	2
	A.03.05.L60008_2	11	2		L.03.01.L60007_0	29	2		J.01.01.L60007_0	2	1
	C.01.01.L60007_0	7	5		L.03.02.L60007_0	8	2		J.01.01.L60007_1	2	1
	L.02.08.L60007_0	3	4		L.03.04.L60007_0	8	2		J.01.01.L60007_2	2	1
	L.02.11.L60007_0	3	4		L.03.05.L60007_0	10	2		J.01.01.L60007_3	2	1
	S.01.01.L60007_0	18	4		M.01.01.L60007_0	2	1		J.01.02.L60007_0	2	1
	T.04.01.L60007_0	15	3		T.04.01.L60007_0	14	5		J.01.02.L60007_1	2	1
	U.01.02.L60008_0	13	8		U.01.02.L60008_0	10	14	31122802	B.02.01.L60008_2	7	2
31112213	C.01.01.L60007_0	8	1	31112223	G.01.02.L60008_0	5	1	31132440	B.08.01.L60007_0	42	4
31112217	M.01.01.L60007_0	5	1	31112260	D.15.01.L60007_0	17	1		B.08.02.L60007_0	44	4
31112219	A.01.02.L60008_0	10	5		D.15.01.L60007_1	17	1	31132562	A.02.01.L60007_0	2	2
	A.01.02.L60008_1	10	5		D.15.02.L60007_0	17	1		A.02.01.L60008_1	2	2
	A.01.02.L60008_2	9	5		D.15.02.L60007_1	17	1	31132566	D.12.02.L60007_0	6	1
	A.01.02.L60008_3	9	5	31112264	B.03.01.L60007_0	15	8	31133600	B.07.01.L60007_0	45	1
	A.01.05.L60008_0	10	5		B.03.01.L60008_0	15	8		B.07.01.L60007_1	45	1
	A.01.05.L60008_1	6	2		B.03.02.L60007_0	13	8		B.07.01.L60007_2	45	1
	A.03.03.L60008_3	11	2		B.03.51.L60007_0	15	8		B.07.01.L60007_3	45	1
	A.03.03.L60008_4	11	2	31112267	C.01.01.L60007_0	22	8		D.03.01.L60007_0	31	1
	A.03.05.L60008_3	11	2	31112272	T.04.01.L60007_0	18	4		D.03.01.L60008_2	31	1
	A.03.05.L60008_4	11	2	31112294	B.08.01.L60007_0	59	2		L.02.01.L60007_0	39	1
	B.07.01.L60007_0	46	3	31112323	L.01.03.L60007_0	40	2		L.02.02.L60007_0	36	1
	B.07.01.L60007_1	46	3	31112324	L.01.03.L60007_0	39	2		L.02.03.L60007_0	34	1
	B.07.01.L60007_2	46	3	31112328	B.01.01.L60007_0	24	2	31152060	A.02.01.L60007_0	22	1
	B.07.01.L60007_3	46	3		B.01.01.L60007_1	26	2		A.02.01.L60008_1	22	1
	D.03.01.L60007_0	5	3		B.01.02.L60002_2	27	2	31152068	A.02.01.L60007_0	23	1
	D.03.01.L60008_2	5	3		S.01.01.L60007_0	36	2		A.02.01.L60008_1	23	1
	D.15.01.L60007_0	26	2		U.01.02.L60008_0	14	2	31152081	B.08.01.L60007_0	57	4
	D.15.01.L60007_1	26	2	31112446	U.01.02.L60008_0	18	2		B.08.02.L60007_0	59	4
	D.15.02.L60007_0	26	2	31112801	B.05.01.L60007_0	19	4		C.03.01.L60007_0	19	4
	D.15.02.L60007_1	26	2	31112802	B.04.01.L60007_0	26	8		D.14.01.L60007_0	40	4

## SPARE PARTS INSTANCE INDEX

Code	Parts Table	Pos.	Q.ty	Code	Parts Table	Pos.	Q.ty	Code	Parts Table	Pos.	Q.ty
31152081	D.14.01.L60007_1	40	4	31200501	A.04.02.L60008_0	3	1	31211060	D.03.02.L60007_1	1	1
	D.14.01.L60007_2	40	4		A.04.02.L60008_1	3	1		D.14.01.L60007_2	45	1
	E.04.01.L60007_0	7	2		A.04.02.L60008_2	3	1		E.05.01.L60008_0	12	2
31152083	D.15.01.L60007_0	21	1		A.04.05.L60008_0	3	1		E.05.01.L60008_1	12	2
	D.15.01.L60007_1	21	1		A.04.05.L60008_1	3	1		E.05.01.L60008_2	12	2
	D.15.02.L60007_0	21	1	31211040	B.07.01.L60007_0	37	4		F.02.01.L60007_0	9	
	D.15.02.L60007_1	21	1		B.07.01.L60007_1	37	4		F.02.01.L60008_1	9	
	F.01.01.L60007_0	2	4		B.07.01.L60007_2	37	4		M.02.01.L60007_0	22	2
	F.02.01.L60007_0	2			B.07.01.L60007_3	37	4		T.01.01.L60007_0	21	1
	F.02.01.L60008_1	2		31211050	A.02.01.L60007_0	28	1		T.01.02.L60007_0	23	1
	F.02.02.L60007_0	2			A.02.01.L60008_1	28	1		T.01.05.L60007_0	25	1
	F.02.02.L60007_1	2			E.02.01.L60007_0	8	3		T.01.06.L60007_0	21	1
31152085	D.11.01.L60007_0	2	2		E.02.01.L60007_1	8	3		T.01.08.L60007_0	23	1
	D.11.01.L60007_1	2	2		E.05.01.L60008_0	9	2		T.01.09.L60007_0	25	1
31152088	A.01.05.L60008_0	39	2		E.05.01.L60008_1	9	2		Y.01.02.L60007_0	14	3
	A.01.05.L60008_1	34	2		E.05.01.L60008_2	9	2		Y.01.03.L60007_0	12	1
	B.02.01.L60007_0	16	2		L.03.01.L60007_0	22	6		Y.01.04.L60007_0	10	4
	B.02.01.L60008_1	11	2		L.03.03.L60007_0	28	4	31211080	A.01.02.L60008_0	9	2
	B.02.01.L60008_2	11	2		L.03.04.L60007_0	31	6		A.01.02.L60008_1	9	2
31152095	D.02.01.L60008_0	3	8		L.03.05.L60007_0	32	8		A.01.02.L60008_2	8	2
31152097	M.01.01.L60007_0	47	2	31211060	A.01.02.L60008_0	25	2		A.01.02.L60008_3	8	2
31152103	A.03.03.L60008_0	14	1		A.01.02.L60008_1	25	2		A.01.05.L60008_0	9	2
	A.03.03.L60008_1	14	1		A.01.02.L60008_2	24	2		A.01.05.L60008_1	5	2
	A.03.03.L60008_2	14	1		A.01.02.L60008_3	24	2		A.03.03.L60008_0	18	1
	A.03.03.L60008_3	14	1		A.01.05.L60008_0	25	2		A.03.03.L60008_1	18	1
	A.03.03.L60008_4	14	1		A.01.05.L60008_1	22	1		A.03.03.L60008_2	18	1
	A.03.05.L60008_0	14	1		A.03.03.L60008_3	18	7		A.03.03.L60008_3	42	2
	A.03.05.L60008_1	14	1		A.03.03.L60008_4	18	7		A.03.03.L60008_4	42	2
	A.03.05.L60008_2	14	1		A.03.05.L60008_3	18	7		A.03.05.L60008_0	18	1
	A.03.05.L60008_3	14	1		A.03.05.L60008_4	18	7		A.03.05.L60008_1	18	1
	A.03.05.L60008_4	14	1		B.02.01.L60007_0	20	2		A.03.05.L60008_2	18	1
	S.01.01.L60007_0	39	2		B.04.01.L60007_0	20	4		A.03.05.L60008_3	42	2
	T.02.03.L60007_0	4	2		B.04.02.L60007_0	15	4		A.03.05.L60008_4	42	2
	U.01.02.L60008_0	12	2		D.03.02.L60007_0	1	1		A.04.02.L60008_0	4	3

## SPARE PARTS INSTANCE INDEX

Code	Parts Table	Pos.	Q.ty	Code	Parts Table	Pos.	Q.ty	Code	Parts Table	Pos.	Q.ty
31211080	A.04.02.L60008_1	4	3	31211140	U.01.02.L60008_0	15	2	31241080	Y.01.03.L60007_0	30	2
	A.04.02.L60008_2	4	3	31211200	T.01.05.L60007_0	8.2	1		Y.01.04.L60007_0	20	1
	A.04.05.L60008_0	4	3		T.01.09.L60007_0	8.2	1	31241081	B.02.01.L60007_0	9	3
	A.04.05.L60008_1	4	3	31215100	A.01.02.L60008_0	39	2		B.02.01.L60008_2	12	3
	A.05.01.L60007_0	10	6	31221120	B.08.01.L60007_0	60	2		B.08.01.L60007_0	10	1
	B.02.01.L60007_0	14	6	31231080	A.02.01.L60007_0	17	7		B.08.01.L60007_0	49	1
	B.02.01.L60008_1	10	6		A.02.01.L60008_1	17	7		B.08.02.L60007_0	51	1
	B.02.01.L60008_2	10	6		B.01.01.L60007_0	34	1		G.01.02.L60008_0	7	1
	B.04.01.L60007_0	16	6		B.01.01.L60007_1	15	1		G.01.02.L60008_1	7	1
	D.02.01.L60008_0	11	1		B.01.02.L60002_2	15	1		G.01.02.L60008_2	7	1
	D.03.01.L60007_0	14	3	31231090	D.12.02.L60007_0	33	1		Y.01.03.L60007_0	36	2
	D.03.01.L60007_0	36	2		D.15.01.L60007_0	67	1		Y.01.04.L60007_0	16	1
	D.03.01.L60008_2	14	3		D.15.01.L60007_1	67	1	31241100	T.04.01.L60007_0	4	2
	D.03.01.L60008_2	36	2		D.15.02.L60007_0	67	1		Y.01.01.L60007_0	43	1
	D.12.01.L60007_0	60	6		D.15.02.L60007_1	67	1		Y.01.02.L60007_0	23	2
	D.12.01.L60007_1	60	6	31231120	D.15.01.L60007_0	16	1		Y.01.03.L60007_0	44	1
	E.04.01.L60007_0	8	2		D.15.01.L60007_1	16	1	31241101	A.02.01.L60007_0	12	2
	G.02.01.L60007_0	4	2		D.15.02.L60007_0	16	1		A.02.01.L60008_1	12	2
	L.02.01.L60007_0	34	6		D.15.02.L60007_1	16	1		B.08.01.L60007_0	53	1
	L.02.02.L60007_0	31	3	31241040	E.03.01.L60007_0	8	16		B.08.02.L60007_0	55	1
	L.02.03.L60007_0	29	6	31241060	D.14.01.L60007_0	39	1	31241121	M.01.01.L60007_0	50	2
	L.02.07.L60007_0	44	4		D.14.01.L60007_1	39	1	31241161	C.01.01.L60007_0	40	4
	L.02.09.L60007_0	45	4		D.14.01.L60007_2	39	1		C.01.01.L60007_0	48	2
	L.02.10.L60007_0	36	4		Y.01.01.L60007_0	58	1		F.03.01.L60007_0	31	4
	L.03.01.L60007_0	19	6		Y.01.04.L60007_0	29	2	31312089	D.12.01.L60007_0	59	4
	L.03.02.L60007_0	13	6		Y.01.05.L60007_0	21	1		D.12.01.L60007_1	59	4
	L.03.03.L60007_0	13	4		Y.01.06.L60007_0	38	6	31313295	C.03.01.L60007_0	8	10
	L.03.04.L60007_0	12	6	31241080	B.01.01.L60007_0	11	1		D.13.03.L60007_0	17	10
	L.03.05.L60007_0	15	6		B.01.01.L60007_1	11	1	31313305	C.01.01.L60007_0	57	4
	M.02.03.L60007_0	31	6		B.01.02.L60002_2	11	1	31313315	C.03.01.L60007_0	9	6
	M.02.04.L60007_0	31	2		D.16.01.L60007_0	2	1		D.13.03.L60007_0	16	6
31211100	T.01.05.L60007_0	10	2		D.16.01.L60007_1	2	1	31411053	A.02.01.L60007_0	26	1
	T.01.09.L60007_0	10	2		D.16.01.L60007_2	2	1		A.02.01.L60008_1	26	1
31211123	C.01.01.L60007_0	30.1	2		Y.01.02.L60007_0	10	4		E.05.01.L60008_0	7	2

## SPARE PARTS INSTANCE INDEX

Code	Parts Table	Pos.	Q.ty	Code	Parts Table	Pos.	Q.ty	Code	Parts Table	Pos.	Q.ty
31411053	E.05.01.L60008_1	7	2	31411066	A.03.05.L60008_3	4	6	31411090	B.01.02.L60002_2	10	2
	E.05.01.L60008_2	7	2		A.03.05.L60008_4	4	6		B.02.01.L60008_1	24	1
31411054	B.02.01.L60008_2	18	6		T.01.01.L60007_0	20	1		Y.01.04.L60007_0	47	2
31411064	A.01.02.L60008_0	14	2		T.01.02.L60007_0	22	1	31411104	M.01.01.L60007_0	22	3
	A.01.02.L60008_1	14	2		T.01.05.L60007_0	24	1	31411105	B.08.01.L60007_0	55	2
	A.01.02.L60008_2	13	2		T.01.06.L60007_0	20	1		B.08.02.L60007_0	57	2
	A.01.02.L60008_3	13	2		T.01.08.L60007_0	22	1		D.03.01.L60007_0	9	3
	A.01.05.L60008_0	14	2		T.01.09.L60007_0	24	1		D.03.01.L60008_2	9	3
	A.01.05.L60008_1	28	2	31411084	B.01.01.L60007_0	6	3		D.14.01.L60007_0	19	2
	A.03.05.L60008_0	4	4		B.01.01.L60007_1	6	3		D.14.01.L60007_1	19	2
	A.03.05.L60008_1	4	4		B.01.02.L60002_2	6	3		D.14.01.L60007_2	19	2
	B.01.01.L60007_0	35	4		B.02.01.L60007_0	10	1		T.04.01.L60007_0	5	2
	B.01.01.L60007_1	19	2		B.02.01.L60008_1	4	13		Y.01.01.L60007_0	42	2
	B.04.01.L60007_0	11	8		B.02.01.L60008_2	9	13		Y.01.02.L60007_0	22	2
	B.04.02.L60007_0	11	8		B.04.01.L60007_0	4	10		Y.01.03.L60007_0	43	1
	E.05.01.L60008_0	11	6		B.04.01.L60007_0	14	6	31411130	T.04.01.L60007_0	19	4
	E.05.01.L60008_1	11	6		B.04.02.L60007_0	4	10	31411150	B.01.01.L60007_0	26	2
	E.05.01.L60008_2	11	6		B.08.01.L60007_0	9	2		B.01.01.L60007_1	28	2
	F.02.01.L60007_0	7			B.08.01.L60007_0	50	1		B.01.02.L60002_2	29	2
	F.02.01.L60008_1	7			B.08.02.L60007_0	9	2	31411170	T.01.01.L60007_0	16	2
	F.02.02.L60007_0	8			B.08.02.L60007_0	52	1		T.01.02.L60007_0	19	2
	F.02.02.L60007_1	8			G.01.02.L60008_0	6	1		T.01.06.L60007_0	16	2
	Y.01.01.L60007_0	57	2		G.01.02.L60008_1	6	1		T.01.08.L60007_0	19	2
	Y.01.02.L60007_0	27	1		G.01.02.L60008_2	6	1		U.01.02.L60008_0	9	2
	Y.01.03.L60007_0	18	1		L.03.01.L60007_0	21	2	31411190	S.01.01.L60007_0	32	2
	Y.01.04.L60007_0	28	4		L.03.02.L60007_0	11	2	31421083	A.01.02.L60008_0	18	1
	Y.01.05.L60007_0	20	2		L.03.05.L60007_0	13	2		A.01.02.L60008_1	18	1
	Y.01.06.L60007_0	35	12		Y.01.01.L60007_0	66	4		A.01.02.L60008_2	17	1
31411066	A.03.03.L60008_0	4	4		Y.01.02.L60007_0	9	4		A.01.02.L60008_3	17	1
	A.03.03.L60008_1	4	4		Y.01.03.L60007_0	29	2		A.01.05.L60008_0	18	1
	A.03.03.L60008_2	4	4		Y.01.04.L60007_0	8	7		A.01.05.L60008_1	16	1
	A.03.03.L60008_3	4	6		Y.01.04.L60007_0	52	8	31421251	A.01.02.L60008_0	20	1
	A.03.03.L60008_4	4	6	31411090	B.01.01.L60007_0	10	1		A.01.02.L60008_1	20	1
	A.03.05.L60008_2	4	4		B.01.01.L60007_1	10	1		A.01.02.L60008_2	19	1

## SPARE PARTS INSTANCE INDEX

Code	Parts Table	Pos.	Q.ty	Code	Parts Table	Pos.	Q.ty	Code	Parts Table	Pos.	Q.ty
31421251	A.01.02.L60008_3	19	1	34211054	D.12.02.L60007_0	4	2	35121030	D.16.01.L60007_1	8	1
	A.01.05.L60008_0	20	1	34211064	T.02.03.L60007_0	17	1	35121031	D.16.01.L60002_0	8	1
	A.01.05.L60008_1	14	1	34213018	B.08.01.L60007_0	34	1		D.16.01.L60007_2	8	1
	B.01.01.L60007_0	31	1		B.08.02.L60007_0	34	1		D.16.01.L60007_3	8	1
	B.01.01.L60007_1	35	1	34213054	D.11.01.L60007_0	20	1	35121035	D.06.01.L60007_0	16	1
	B.01.02.L60002_2	31	1		D.11.01.L60007_1	20	1		D.06.01.L60007_1	16	1
31423105	L.03.01.L60007_0	33	3	35111047	D.12.01.L60007_0	4	1	35121040	D.04.01.L60007_0	11	1
	L.03.02.L60007_0	22	2		D.12.01.L60007_1	4	1		D.04.01.L60007_1	11	1
	L.03.03.L60007_0	22	2	35111052	D.05.01.L60007_0	10	1		D.12.01.L60007_0	8	1
	L.03.04.L60007_0	21	3		D.05.01.L60007_1	10	1		D.12.01.L60007_1	8	1
	L.03.05.L60007_0	24	2	35111062	D.02.01.L60008_0	7	2	35121061	C.02.01.L60008_0	10	1
31510053	B.07.01.L60007_0	39	6		D.16.01.L60002_0	5	3	35131026	L.01.03.L60007_0	37	2
	B.07.01.L60007_1	39	6		D.16.01.L60007_0	5	3	35211060	B.02.01.L60007_0	24	1
	B.07.01.L60007_2	39	6		D.16.01.L60007_1	5	3		B.02.01.L60008_1	14	1
	B.07.01.L60007_3	39	6		D.16.01.L60007_2	5	3		B.02.01.L60008_2	14	1
31510096	B.07.01.L60007_0	40	4		D.16.01.L60007_3	5	3	35211070	M.01.01.L60007_0	27	2
	B.07.01.L60007_1	40	4	35111080	D.02.01.L60008_0	15	5	36220210	A.01.05.L60008_0	43	1
	B.07.01.L60007_2	40	4		D.06.01.L60007_0	26	1		A.01.05.L60008_1	1.5	1
	B.07.01.L60007_3	40	4		D.06.01.L60007_1	26	1	36220215	G.01.02.L60008_2	2	1
33312383	A.01.02.L60008_3	40	3	35121012	D.16.01.L60002_0	38	2	36220216	G.01.02.L60008_0	2	1
34110021	D.15.01.L60007_0	15	3		D.16.01.L60007_0	38	2		G.01.02.L60008_1	2	1
	D.15.01.L60007_1	15	3		D.16.01.L60007_1	38	2	36220217	G.01.02.L60008_2	3	1
	D.15.02.L60007_0	15	3		D.16.01.L60007_2	38	2	36220218	G.01.02.L60008_0	3	1
	D.15.02.L60007_1	15	3		D.16.01.L60007_3	38	2		G.01.02.L60008_1	3	1
34110029	D.12.02.L60007_0	12	1	35121018	D.15.01.L60007_0	12	1	37111255	D.05.01.L60007_0	9	1
	T.01.01.L60007_0	9.2	2		D.15.01.L60007_1	12	1		D.05.01.L60007_1	9	1
	T.01.02.L60007_0	12.2	2		D.15.02.L60007_0	12	1	37111299	D.16.01.L60002_0	7	1
	T.01.06.L60007_0	9.2	2		D.15.02.L60007_1	12	1		D.16.01.L60007_0	7	1
	T.01.08.L60007_0	12.2	2	35121023	D.15.01.L60007_0	28	1		D.16.01.L60007_1	7	1
34110030	M.01.01.L60007_0	59	1		D.15.01.L60007_1	28	1		D.16.01.L60007_2	7	1
34130010	T.01.01.L60007_0	17	2		D.15.02.L60007_0	28	1		D.16.01.L60007_3	7	1
	T.01.02.L60007_0	20	2		D.15.02.L60007_1	28	1	37111354	D.02.01.L60008_0	16	1
	T.01.06.L60007_0	17	2	35121030	D.02.01.L60008_0	6	2	37112299	D.02.01.L60008_0	8	1
	T.01.08.L60007_0	20	2		D.16.01.L60007_0	8	1	37112501	D.04.01.L60007_0	13	1

## SPARE PARTS INSTANCE INDEX

Code	Parts Table	Pos.	Q.ty	Code	Parts Table	Pos.	Q.ty	Code	Parts Table	Pos.	Q.ty
37112501	D.04.01.L60007_1	13	1	41X10001	A.01.05.L60008_1	1	1	511A1655	C.02.01.L60008_0	1	1
37221320	D.06.01.L60007_0	25	2	50973415	M.01.01.L60007_0	40	2	511A2422N	B.01.02.L60002_2	1	1
	D.06.01.L60007_1	25	2	51172005	D.10.01.L60007_0	3	2	51270771	D.07.01.L60007_0	32	1
37320220	D.16.01.L60002_0	20	1	51173371	M.01.01.L60007_0	49	1		D.07.01.L60007_1	32	1
	D.16.01.L60007_0	20	1	51175798	D.07.01.L60007_0	9	1	51273893	D.07.01.L60007_0	31	1
	D.16.01.L60007_1	20	1	51175810	C.03.01.L60007_0	2	1	51275570	D.12.02.L60007_0	18	1
	D.16.01.L60007_2	20	1		D.16.01.L60002_0	22	1	51275774	C.03.01.L60007_0	6	1
	D.16.01.L60007_3	20	1		D.16.01.L60007_0	22	1		D.13.03.L60007_0	2	1
37931413	D.12.01.L60007_1	18	1		D.16.01.L60007_1	22	1	51275775	C.03.01.L60007_0	7	1
38104412	D.02.01.L60008_0	25	1		D.16.01.L60007_2	22	1		D.13.03.L60007_0	1	1
38110992	D.03.02.L60007_0	51	1		D.16.01.L60007_3	22	1	51275781	C.01.01.L60007_0	44	1
	D.03.02.L60007_1	51	1	51175941	L.01.01.L60002_0	1	1		D.13.01.L60007_0	7	1
	D.15.01.L60007_0	66	2		L.01.01.L60007_0	1	1	51275782	C.01.01.L60007_0	43	1
	D.15.01.L60007_1	66	1		L.01.03.L60007_0	1	1		D.13.01.L60007_0	8	1
38111078	D.12.02.L60007_0	21	2		M.01.01.L60007_0	1	1	51277912	C.01.01.L60007_0	18	2
38112200	D.12.02.L60007_0	3	1	51176123	C.03.01.L60007_0	1	1	51278573	D.11.01.L60007_0	8	1
	F.01.01.L60007_0	16	2	51176125	C.01.01.L60007_0	2	1		D.11.01.L60007_1	8	1
38113142	F.01.01.L60007_0	20	2	51176126	C.01.01.L60007_0	1	1	51278623	D.07.01.L60007_1	31	1
38115682	D.16.01.L60002_0	10	2	51176128	B.08.01.L60007_0	23	1	51279079	C.01.01.L60007_0	15	1
38116317	D.12.01.L60007_0	53	1		B.08.02.L60007_0	23	1		D.13.01.L60007_0	2	1
	D.12.01.L60007_1	53	1	51176129V	B.08.01.L60007_0	20	1	51279080	C.01.01.L60007_0	16	1
38118720	D.12.01.L60007_0	54	1		B.08.02.L60007_0	20	1		D.13.01.L60007_0	1	1
	D.12.01.L60007_1	54	1	51176604	D.13.03.L60007_0	4	2	51371035	D.01.01.L60007_0	21	1
38212601	D.16.01.L60002_0	36	1	51176605	D.13.01.L60007_0	5	1		D.09.01.L60007_0	8	1
	D.16.01.L60007_1	36	1	51176714	B.01.01.L60007_0	1/1	1	51376275	L.01.01.L60002_0	33	1
	D.16.01.L60007_2	36	1	51177257	W.01.05.L60007_0	1	1		L.01.01.L60007_0	33	1
	D.16.01.L60007_3	36	1	51178808	D.07.01.L60007_1	9	1		L.01.03.L60007_0	33	1
39118080	W.01.01.L60007_0	9	4	51179309	U.01.02.L60008_0	1	4	52071702	L.01.01.L60002_0	13	1
39118528	W.01.01.L60007_0	24		51179409	C.03.01.L60007_0	11	1		L.01.01.L60007_0	13	1
41U60000	A.01.02.L60008_0	1	1		D.13.03.L60007_0	15	1		L.01.03.L60007_0	13	1
	A.01.02.L60008_1	1	1	51179410	C.03.01.L60007_0	12	1		M.01.01.L60007_0	14	1
	A.01.05.L60008_0	1	1		D.13.03.L60007_0	14	1	52272112	D.07.01.L60007_0	28	1
41X10001	A.01.02.L60008_2	1	1	51179421	B.01.01.L60007_0	1/2	1		D.07.01.L60007_1	28	1
	A.01.02.L60008_3	1	1	51179548	B.01.01.L60007_1	1	1	52275888	D.07.01.L60007_0	29	1



## SPARE PARTS INSTANCE INDEX

Code	Parts Table	Pos.	Q.ty	Code	Parts Table	Pos.	Q.ty	Code	Parts Table	Pos.	Q.ty
52275888	D.07.01.L60007_1	29	1	52470762	D.04.01.L60007_0	18	1	52475817	D.16.01.L60002_0	37	1
52275889	D.07.01.L60007_0	26	1	52473655	D.02.01.L60008_0	35	1		D.16.01.L60007_0	37	1
	D.07.01.L60007_1	26	1	52473656	D.04.01.L60007_0	24	1		D.16.01.L60007_1	37	1
52370072	D.10.01.L60007_0	6	2		D.04.01.L60007_1	24	1		D.16.01.L60007_2	37	1
52370075	D.10.01.L60007_0	5	2	52473660	D.02.01.L60008_0	12	1		D.16.01.L60007_3	37	1
52370083	C.01.01.L60007_0	24	2	52473827	D.05.01.L60007_0	8	1	52475830	D.16.01.L60007_0	4	1
52370152	D.12.02.L60007_0	2	1		D.05.01.L60007_1	8	1		D.16.01.L60007_1	4	1
52372292	D.12.01.L60007_0	37	1	52473828	D.05.01.L60007_0	3	1	52475834	D.06.01.L60007_0	14	1
	D.12.01.L60007_1	37	1	52473829	D.05.01.L60007_0	5	1	52475835	D.16.01.L60002_0	19	1
52375896	D.07.01.L60007_0	27	2		D.05.01.L60007_1	5	1		D.16.01.L60007_0	19	1
	D.07.01.L60007_1	27	1	52473830	D.05.01.L60007_0	6	1		D.16.01.L60007_1	19	1
52375897	D.07.01.L60007_0	30	1		D.05.01.L60007_1	6	1		D.16.01.L60007_2	19	1
52376153	D.11.01.L60007_0	1	1	52473831	D.05.01.L60007_0	7	1		D.16.01.L60007_3	19	1
52377913	C.01.01.L60007_0	20	1		D.05.01.L60007_1	7	1	52475836	D.16.01.L60002_0	21	1
52377914	C.01.01.L60007_0	19	1	52473833	D.06.01.L60007_0	3	1		D.16.01.L60007_0	21	1
52378576	D.11.01.L60007_1	1	1	52473834	D.06.01.L60007_0	6	1		D.16.01.L60007_1	21	1
52378628	D.07.01.L60007_1	40	1	52473835	D.06.01.L60007_0	8	1		D.16.01.L60007_2	21	1
52378629	D.07.01.L60007_1	30	1		D.06.01.L60007_1	8	1		D.16.01.L60007_3	21	1
52470061	D.09.01.L60007_0	4	1	52473836	D.06.01.L60007_0	11	1	52475991	D.12.01.L60007_0	23	1
52470062	D.09.01.L60007_0	3	1		D.06.01.L60007_1	11	1		D.12.01.L60007_1	23	1
52470063	D.01.01.L60007_0	17	1	52473837	D.06.01.L60007_0	12	1	52475992	D.12.01.L60007_0	45	1
52470064	D.01.01.L60007_0	16	1		D.06.01.L60007_1	12	1		D.12.01.L60007_1	45	1
52470067	D.01.01.L60007_0	20	2	52473838	D.04.01.L60007_0	5	1	52475994	D.12.01.L60007_0	43/1	1
	D.09.01.L60007_0	5	2		D.04.01.L60007_1	5	1		D.12.01.L60007_1	43/1	1
52470086	D.01.01.L60007_0	27	2	52473839	D.04.01.L60007_0	9	1	52475996	D.12.01.L60007_0	43/2	1
52470087	D.10.01.L60007_0	11	6		D.04.01.L60007_1	9	1		D.12.01.L60007_1	43/2	1
52470105	D.09.01.L60007_0	13	1	52474252	D.06.01.L60007_0	24	1	52476062	D.12.01.L60007_0	16	1
52470106	D.09.01.L60007_0	12	1	52474253	D.06.01.L60007_0	21	1		D.12.01.L60007_1	16	1
52470117	D.06.01.L60007_0	18	1	52474254	D.04.01.L60007_0	17	1	52476065	D.12.01.L60007_0	21/1	1
	D.06.01.L60007_1	18	1	52475073	D.04.01.L60007_0	20	1		D.12.01.L60007_1	21/1	1
52470118	D.06.01.L60007_0	17	1	52475562	D.12.01.L60007_0	31	1	52476066	D.12.01.L60007_0	21/2	1
	D.06.01.L60007_1	17	1		D.12.01.L60007_1	31	1		D.12.01.L60007_1	21/2	1
52470298	D.12.01.L60007_0	7	1	52475565	D.12.01.L60007_0	42	1	52476067	D.12.01.L60007_0	19	1
	D.12.01.L60007_1	7	1		D.12.01.L60007_1	42	1	52476068	D.12.01.L60007_0	15	1



## SPARE PARTS INSTANCE INDEX

Code	Parts Table	Pos.	Q.ty	Code	Parts Table	Pos.	Q.ty	Code	Parts Table	Pos.	Q.ty
52476068	D.12.01.L60007_1	15	1	55174632	A.03.03.L60008_1	21	1	55277307	A.02.01.L60007_0	20	2
52476868	D.12.01.L60007_0	3	1		A.03.03.L60008_2	21	1		A.02.01.L60008_1	20	2
	D.12.01.L60007_1	3	1		A.03.03.L60008_3	19	1	552A2427V	B.02.01.L60008_2	15	1
52477905	D.16.01.L60007_2	4	1		A.03.03.L60008_4	19	1	552A2430V	B.02.01.L60008_2	16	1
52478565	D.12.01.L60007_1	27	1		A.03.05.L60008_0	21	1	552A2433	B.02.01.L60008_2	24,1	1
52478568	D.12.01.L60007_1	19	1		A.03.05.L60008_1	21	1	552A2437	B.02.01.L60008_2	23,1	1
52478609	D.06.01.L60007_1	6	1		A.03.05.L60008_2	21	1	552A2924	B.03.01.L60008_0	26	1
52478611	D.06.01.L60007_1	3	1		A.03.05.L60008_3	19	1	552A2925	B.03.01.L60008_0	27	1
52478612	D.05.01.L60007_1	3	1		A.03.05.L60008_4	19	1	552A3073	B.03.01.L60008_0	6	1
52478613	D.06.01.L60007_1	14	1	55176090	B.08.01.L60007_0	27	1	552A3074	B.03.01.L60008_0	7	1
	D.16.01.L60002_0	24	1		B.08.02.L60007_0	27	1	56073059	T.01.01.L60007_0	11.1	1
	D.16.01.L60007_0	24	1	55176091	B.08.01.L60007_0	26	2		T.01.02.L60007_0	14.1	1
	D.16.01.L60007_1	24	1		B.08.02.L60007_0	26	2		T.01.05.L60007_0	20.2	1
	D.16.01.L60007_2	24	1	55176744	A.01.02.L60008_0	26	1		T.01.09.L60007_0	20.2	1
	D.16.01.L60007_3	24	1		A.01.02.L60008_1	26	1	56073413	M.01.01.L60007_0	44	2
52478615	D.06.01.L60007_1	21	1		A.01.02.L60008_2	25	1	56073414	M.01.01.L60007_0	41	2
52478617	D.06.01.L60007_1	24	1		A.01.02.L60008_3	25	1	56073416	M.01.01.L60007_0	45	1
52478618	D.04.01.L60007_1	17	1		A.01.05.L60008_0	26	1	56074313	D.12.01.L60007_0	64	1
52478619	D.04.01.L60007_1	18	1		A.01.05.L60008_1	44	1		D.12.01.L60007_1	64	1
52478620	D.04.01.L60007_1	20	1	55177639	A.03.03.L60008_0	23	1	56075036	T.01.05.L60007_0	17	2
52478812	D.16.01.L60002_0	4	1		A.03.03.L60008_1	23	1		T.01.09.L60007_0	17	2
	D.16.01.L60007_3	4	1		A.03.03.L60008_2	23	1	56075143	M.01.01.L60007_0	58	1
52573648	D.02.01.L60008_0	21	1		A.03.03.L60008_3	20	1	56075161	M.02.01.L60007_0	13	1
53076150	B.08.01.L60007_0	12	1		A.03.03.L60008_4	20	1		M.02.03.L60007_0	11	1
	B.08.02.L60007_0	12	1		A.03.05.L60008_0	23	1		M.02.04.L60007_0	11	1
53273025	D.02.01.L60008_0	26	1		A.03.05.L60008_1	23	1	56075237	T.04.01.L60007_0	6	1
53273886	D.12.01.L60007_0	32	1		A.03.05.L60008_2	23	1	56075238	T.04.01.L60007_0	2	1
	D.12.01.L60007_1	32	1		A.03.05.L60008_3	20	1	56075831	D.16.01.L60002_0	13	1
53273891	D.12.01.L60007_0	55	1		A.03.05.L60008_4	20	1		D.16.01.L60007_0	13	1
	D.12.01.L60007_1	55	1	55276300	B.07.01.L60007_0	31	1		D.16.01.L60007_1	13	1
55072935	B.05.01.L60007_0	1	4		B.07.01.L60007_1	31	1		D.16.01.L60007_2	13	1
55170053	D.07.01.L60007_0	6	3		B.07.01.L60007_2	31	1		D.16.01.L60007_3	13	1
	D.07.01.L60007_1	6	3		B.07.01.L60007_3	31	1	56076055	D.12.02.L60007_0	28	1
55174632	A.03.03.L60008_0	21	1	55276745	A.05.01.L60007_0	1	1	56076074	D.12.01.L60007_0	18	1





## SPARE PARTS INSTANCE INDEX

Code	Parts Table	Pos.	Q.ty	Code	Parts Table	Pos.	Q.ty	Code	Parts Table	Pos.	Q.ty
56076192	D.15.01.L60007_0	18	1	56077535	L.02.11.L60007_0	32	1	56170223	C.01.01.L60007_0	26	0
	D.15.01.L60007_1	18	1	56077608	A.05.01.L60007_0	6	2	56170226	C.01.01.L60007_0	37	2
	D.15.02.L60007_0	18	1	56077645	B.02.01.L60008_2	3	1		F.03.01.L60007_0	22.1	1
	D.15.02.L60007_1	18	1	56077773	T.01.01.L60007_0	2	4	56170283	L.01.01.L60002_0	27	2
56076927	B.02.01.L60007_0	1.1	1		T.01.02.L60007_0	2	4		L.01.01.L60007_0	27	2
56076927N	B.02.01.L60008_1	1.1	1		T.01.06.L60007_0	2	4		M.01.01.L60007_0	37	2
56076928	B.02.01.L60007_0	1.3	1		T.01.08.L60007_0	2	4	56170285	L.01.01.L60002_0	29	2
56076928N	B.02.01.L60008_1	1.3	1	56077910	C.01.01.L60007_0	47	4		L.01.01.L60007_0	29	2
	B.02.01.L60008_2	39	1	56077928	G.02.01.L60007_0	10	2		L.01.03.L60007_0	29	2
56076929	B.02.01.L60007_0	1.4	1	56077929	G.02.01.L60007_0	9	2		M.01.01.L60007_0	39	2
56076929N	B.02.01.L60008_1	1.4	1	56077977	C.01.01.L60007_0	30.2	2	56170350	F.01.01.L60007_0	22	1
	B.02.01.L60008_2	40	1	56079182	L.02.08.L60007_0	30	1	56170364	B.08.01.L60007_0	58	1
56076930	B.02.01.L60007_0	1.5	5		L.02.11.L60007_0	30	1		B.08.02.L60007_0	60	1
56076930N	B.02.01.L60008_1	1.5	1	56079183	L.02.08.L60007_0	1	1	56170392	T.01.01.L60007_0	3	2
	B.02.01.L60008_2	41	2		L.02.11.L60007_0	1	1		T.01.02.L60007_0	3	2
56076931	B.02.01.L60007_0	1.2	1	56079206	L.02.01.L60007_0	13	1		T.01.06.L60007_0	3	2
56076931H	B.02.01.L60008_1	1.2	1	56079219	E.05.01.L60008_0	4	1		T.01.08.L60007_0	3	2
56076931N	B.02.01.L60008_1	1.6	1		E.05.01.L60008_1	4	1	56170413	D.15.01.L60007_0	49	1
56076942	M.02.01.L60007_0	27	1		E.05.01.L60008_2	4	1		D.15.01.L60007_1	49	1
	M.02.03.L60007_0	21	1	56079361	L.02.10.L60007_0	9	1		D.15.02.L60007_0	49	1
	M.02.04.L60007_0	21	1		M.02.01.L60007_0	20	1		D.15.02.L60007_1	49	1
56076943	M.02.01.L60007_0	26	1	56079368	D.12.02.L60007_0	13	1	56170491	B.01.01.L60007_0	33	1
	M.02.03.L60007_0	20	1	56079702	B.09.06.L60007_0	19	1	56170704	T.02.01.L60007_0	6	1
	M.02.04.L60007_0	20	1	560A2843N	B.02.01.L60008_2	2	1		T.02.02.L60007_0	4	1
56077161	T.04.01.L60007_0	17	1	56170017	D.07.01.L60007_0	16	1	56170705	T.02.01.L60007_0	7	1
56077324	D.15.01.L60007_0	34	1		D.07.01.L60007_1	16	1		T.02.02.L60007_0	5	1
	D.15.01.L60007_1	34	1	56170029	D.03.02.L60007_0	25	1	56170760	D.06.01.L60007_0	23	
	D.15.02.L60007_0	34	1		D.03.02.L60007_1	25	1		D.06.01.L60007_1	23	
	D.15.02.L60007_1	34	1	56170074	D.10.01.L60007_0	9	2	56170779	L.02.07.L60007_0	2	1
56077362	B.02.01.L60008_2	4	1	56170082	C.01.01.L60007_0	26	0		L.02.09.L60007_0	2	1
56077367	G.02.01.L60007_0	1	2	56170213	D.01.01.L60007_0	8	1		L.02.10.L60007_0	3	1
56077372	G.02.01.L60007_0	2	2	56170214	D.01.01.L60007_0	6	1	56171172	C.01.01.L60007_0	38	2
56077393Z	B.02.01.L60008_2	5	6	56170221	C.01.01.L60007_0	26	0		F.03.01.L60007_0	28	2
56077535	L.02.08.L60007_0	32	1	56170222	C.01.01.L60007_0	26	0	56171572	D.12.01.L60007_0	1	1

## SPARE PARTS INSTANCE INDEX

Code	Parts Table	Pos.	Q.ty	Code	Parts Table	Pos.	Q.ty	Code	Parts Table	Pos.	Q.ty
56171572	D.12.01.L60007_1	1	1	56174635	A.05.01.L60007_0	5	1	56174988	F.02.01.L60007_0	5	
56171996	D.03.02.L60007_0	2	2	56174636	A.04.02.L60008_0	2	1		F.02.01.L60008_1	5	
	D.03.02.L60007_1	2	2		A.04.02.L60008_1	2	1	56175294	F.02.01.L60007_0	17	
	G.02.01.L60007_0	11	2		A.04.05.L60008_0	2	1		F.02.01.L60008_1	15	
56172079	A.01.05.L60008_0	38	1		A.04.05.L60008_1	2	1	56175367	D.06.01.L60007_0	23	
	A.01.05.L60008_1	33	1	56174656	B.02.01.L60007_0	17	1		D.06.01.L60007_1	23	
56172547	F.02.01.L60007_0	19			B.02.01.L60008_1	27	1	56175859	L.01.01.L60002_0	28	2
	F.02.01.L60008_1	17		56174657	B.01.01.L60007_0	4	1		L.01.01.L60007_0	28	2
	F.02.02.L60007_1	18		56174658	B.01.01.L60007_0	7	1		L.01.03.L60007_0	28	2
56173110	A.01.02.L60008_2	36	3		B.01.01.L60007_1	7	1		M.01.01.L60007_0	38	2
	A.01.02.L60008_3	36	3		B.01.02.L60002_2	7	1	56176124	C.03.01.L60007_0	18	1
	A.01.05.L60008_1	9	3	56174659	B.01.01.L60007_0	9	1	56176127	D.11.01.L60007_0	19	1
	L.02.08.L60007_0	2	4		B.01.01.L60007_1	9	1		D.11.01.L60007_1	19	1
	L.02.11.L60007_0	2	4		B.01.02.L60002_2	9	2	56176130	B.08.01.L60007_0	24	1
	T.04.01.L60007_0	13	1	56174661	A.02.01.L60007_0	21	1		B.08.02.L60007_0	24	1
	U.01.02.L60008_0	20	1		A.02.01.L60008_1	21	1	56176142	D.03.01.L60007_0	4	2
56173353	C.01.01.L60007_0	26	0		B.01.01.L60007_0	29	1		D.03.01.L60008_2	4	2
56173638	L.01.01.L60002_0	8	1	56174692	D.06.01.L60007_0	23			E.02.01.L60007_0	5	1
	L.01.01.L60007_0	8	1		D.06.01.L60007_1	23			E.02.01.L60007_1	5	1
	L.01.03.L60007_0	8	1	56174693	D.06.01.L60007_0	23		56176151	B.08.01.L60007_0	13	1
	M.01.01.L60007_0	9	1		D.06.01.L60007_1	23			B.08.02.L60007_0	13	1
56173684	D.03.02.L60007_0	10	1	56174694	D.06.01.L60007_0	23		56176208	L.02.01.L60007_0	2	1
	D.03.02.L60007_1	10	1		D.06.01.L60007_1	23			L.02.02.L60007_0	2	1
56174108	D.12.01.L60007_0	5	1	56174695	D.06.01.L60007_0	23			L.02.03.L60007_0	2	1
	D.12.01.L60007_1	5	1		D.06.01.L60007_1	23		56176209	D.15.01.L60007_0	6	1
56174461	B.08.01.L60007_0	36	1	56174725	F.01.01.L60007_0	11	2		D.15.01.L60007_1	6	1
	B.08.02.L60007_0	36	1	56174835	B.02.01.L60007_0	23	1		D.15.02.L60007_0	6	1
56174463	B.08.01.L60007_0	32	1		B.02.01.L60008_1	13	1		D.15.02.L60007_1	6	1
	B.08.02.L60007_0	32	1		B.02.01.L60008_2	35	1	56176221	D.15.01.L60007_0	35	1
56174635	A.04.02.L60008_0	5	1	56174873	B.01.01.L60007_0	23	1		D.15.01.L60007_1	35	1
	A.04.02.L60008_1	5	1		B.01.01.L60007_1	25	1		D.15.02.L60007_0	35	1
	A.04.02.L60008_2	5	1		B.01.02.L60002_2	26	1		D.15.02.L60007_1	35	1
	A.04.05.L60008_0	5	1	56174987	F.02.01.L60007_0	4		56176346	D.03.01.L60007_0	38	1
	A.04.05.L60008_1	5	1		F.02.01.L60008_1	4			D.03.01.L60008_2	38	1

## SPARE PARTS INSTANCE INDEX

Code	Parts Table	Pos.	Q.ty	Code	Parts Table	Pos.	Q.ty	Code	Parts Table	Pos.	Q.ty
56176472	B.08.01.L60007_0	3	1	56176797	L.02.10.L60007_0	8	1	56176859	L.03.03.L60007_0	7	1
	B.08.02.L60007_0	3	1		L.02.11.L60007_0	42	1		L.03.04.L60007_0	7	1
56176475V	B.04.01.L60007_0	9	2		M.02.01.L60007_0	1	1		L.03.05.L60007_0	9	1
	B.04.02.L60007_0	9	2		M.02.03.L60007_0	1	1	56176864	L.03.01.L60007_0	16.2	1
56176479V	B.04.01.L60007_0	12	2		M.02.04.L60007_0	1	1		L.03.02.L60007_0	25/2	1
56176514	D.03.02.L60007_0	21	1	56176798	L.02.07.L60007_0	9	1	56176887	L.02.08.L60007_0	41	2
	D.03.02.L60007_1	21	1		L.02.09.L60007_0	43	1		L.02.11.L60007_0	41	2
56176515	D.03.01.L60007_0	42	1	56176814	A.05.01.L60007_0	9	3	56176890	L.03.04.L60007_0	10	2
	D.03.01.L60008_2	42	1	56176847	L.02.01.L60007_0	27	1		L.03.05.L60007_0	12	2
	D.14.01.L60007_0	41	2		L.02.02.L60007_0	25	1	56176893	B.05.01.L60007_0	5	1
	D.14.01.L60007_1	41	1		L.02.03.L60007_0	23	1		B.05.02.L60007_0	3	1
	D.14.01.L60007_2	41	1		L.02.08.L60007_0	43	1		B.05.51.L60007_0	3	1
56176691	A.03.03.L60008_0	15	1		L.02.11.L60007_0	43	1	56176894	B.05.01.L60007_0	6	1
	A.03.03.L60008_1	15	1	56176848	L.03.03.L60007_0	12	2		B.05.02.L60007_0	4	1
	A.03.03.L60008_2	15	1	56176850	L.02.08.L60007_0	45	1		B.05.51.L60007_0	4	1
	A.03.03.L60008_3	15	1	56176851	L.02.08.L60007_0	47	1	56176895	B.02.01.L60007_0	28	2
	A.03.03.L60008_4	15	1	56176854	L.03.01.L60007_0	15	1		B.02.01.L60008_1	20	2
	A.03.05.L60008_0	15	1		L.03.02.L60007_0	23	1	56176896	B.03.01.L60007_0	9	1
	A.03.05.L60008_1	15	1		L.03.03.L60007_0	23	1		B.03.01.L60008_0	9	1
	A.03.05.L60008_2	15	1		L.03.04.L60007_0	22	1		B.03.02.L60007_0	9	1
	A.03.05.L60008_3	15	1		L.03.05.L60007_0	25	1		B.03.51.L60007_0	9	1
	A.03.05.L60008_4	15	1	56176855	L.03.01.L60007_0	16.1	1	56176897	B.03.01.L60007_0	10	1
56176692	B.02.01.L60007_0	32	1		L.03.02.L60007_0	25/1	1		B.03.01.L60008_0	10	1
	B.02.01.L60008_1	19	1		L.03.04.L60007_0	24	1		B.03.02.L60007_0	10	1
56176693	B.02.01.L60007_0	33	1		L.03.05.L60007_0	27	1		B.03.51.L60007_0	10	1
	B.02.01.L60008_1	18	1	56176856	L.03.04.L60007_0	26	1	56176905	B.03.01.L60007_0	12	1
	B.02.01.L60008_2	22	1		L.03.05.L60007_0	33	1		B.03.01.L60008_0	12	1
56176696	A.05.01.L60007_0	8	2	56176857	L.03.05.L60007_0	35	1		B.03.02.L60007_0	12	1
56176716	A.05.01.L60007_0	7	1	56176858	L.03.01.L60007_0	23	1		B.03.51.L60007_0	12	1
56176797	L.02.02.L60007_0	44	1		L.03.03.L60007_0	25	1	56176906	B.03.01.L60007_0	11	1
	L.02.03.L60007_0	41	1	56176859	L.02.08.L60007_0	40	2		B.03.01.L60008_0	11	1
	L.02.07.L60007_0	8	1		L.02.11.L60007_0	40	2		B.03.02.L60007_0	11	1
	L.02.08.L60007_0	42	1		L.03.01.L60007_0	7	1		B.03.51.L60007_0	11	1
	L.02.09.L60007_0	8	1		L.03.02.L60007_0	7	1	56176907	B.05.01.L60007_0	13	1



## SPARE PARTS INSTANCE INDEX

Code	Parts Table	Pos.	Q.ty	Code	Parts Table	Pos.	Q.ty	Code	Parts Table	Pos.	Q.ty
56176907	B.05.02.L60007_0	11	1	56177086	B.07.01.L60007_2	23	1	56177244	B.04.01.L60007_0	5	1
	B.05.51.L60007_0	11	1		B.07.01.L60007_3	23	1		B.04.02.L60007_0	5	1
56176908	B.05.01.L60007_0	12	1	56177088	D.03.01.L60007_0	12	1	56177252	B.05.01.L60007_0	2	2
	B.05.02.L60007_0	10	1		D.03.01.L60008_2	12	1	56177254	G.01.02.L60008_0	14	1
	B.05.51.L60007_0	10	1	56177092	D.14.01.L60007_0	4	1		G.01.02.L60008_1	14	1
56176989	L.02.07.L60007_0	36	1		D.14.01.L60007_1	4	1		G.01.02.L60008_2	14	1
	L.02.09.L60007_0	35	1	56177093	D.14.01.L60007_0	3	1	56177256	B.03.01.L60007_0	3	2
	L.02.10.L60007_0	1	1		D.14.01.L60007_1	3	1		B.03.01.L60008_0	3	2
56176994	D.12.02.L60007_0	32	1	56177183	A.01.02.L60008_0	34	1		B.03.02.L60007_0	3	2
56176997	L.03.02.L60007_0	10	2		A.01.02.L60008_1	34	1		B.03.51.L60007_0	3	2
	L.03.03.L60007_0	10	2		A.01.02.L60008_2	33	1	56177264	B.05.01.L60007_0	15	1
56177008	D.14.01.L60007_0	5	1		A.01.02.L60008_3	33	1		B.05.02.L60007_0	13	1
	D.14.01.L60007_1	5	1		A.01.05.L60008_0	34	1		B.05.51.L60007_0	13	1
	D.14.01.L60007_2	5	1		A.01.05.L60008_1	41	1	56177265	B.05.01.L60007_0	16	1
56177034	D.14.01.L60007_0	42	1	56177190	G.01.02.L60008_0	9	1		B.05.02.L60007_0	14	1
56177045	B.03.01.L60007_0	25	4		G.01.02.L60008_1	9	1		B.05.51.L60007_0	14	1
	B.03.01.L60008_0	25	4		G.01.02.L60008_2	9	1	56177326	B.03.01.L60007_0	8	2
	B.03.02.L60007_0	16	4	56177197	G.01.02.L60008_0	8	1		B.03.01.L60008_0	8	2
	B.03.51.L60007_0	16	4		G.01.02.L60008_1	8	1		B.03.02.L60007_0	8	2
	B.05.01.L60007_0	24	4		G.01.02.L60008_2	8	1		B.03.51.L60007_0	8	2
	B.05.02.L60007_0	22	4	56177222	B.05.02.L60007_0	18	2	56177416	W.01.01.L60007_0	23.1	4
	B.05.51.L60007_0	22	4		B.05.51.L60007_0	18	2	56177417	W.01.01.L60007_0	23.2	4
	E.03.01.L60007_0	3	4		B.08.01.L60007_0	38/4	2	56177419	B.08.01.L60007_0	21	1
	E.04.01.L60007_0	9	4	56177223	B.05.02.L60007_0	16	4		B.08.02.L60007_0	21	1
56177068	C.01.01.L60007_0	41	1		B.05.51.L60007_0	16	4	56177420	B.08.01.L60007_0	22	1
56177070	D.03.02.L60007_0	16	1		B.08.01.L60007_0	38/3	4		B.08.02.L60007_0	22	1
	D.03.02.L60007_1	16	1		B.08.02.L60007_0	40	2	56177442	J.01.01.L60007_0	15	1
56177071	D.03.01.L60007_0	13	1	56177224	B.08.02.L60007_0	39	2		J.01.01.L60007_1	15	1
	D.03.01.L60008_2	13	1	56177241	L.02.01.L60007_0	19	2		J.01.01.L60007_2	13	1
56177074	D.14.01.L60007_0	32	1		L.02.02.L60007_0	17	1		J.01.01.L60007_3	13	1
	D.14.01.L60007_1	32	1		L.02.03.L60007_0	15	1		J.01.02.L60007_0	15	1
	D.14.01.L60007_2	32	1		L.02.07.L60007_0	42	2		J.01.02.L60007_1	13	1
56177086	B.07.01.L60007_0	23	1		L.02.08.L60007_0	55	2	56177641	A.02.01.L60007_0	32	1
	B.07.01.L60007_1	23	1		L.02.09.L60007_0	44	2		A.02.01.L60008_1	32	1

## SPARE PARTS INSTANCE INDEX

Code	Parts Table	Pos.	Q.ty	Code	Parts Table	Pos.	Q.ty	Code	Parts Table	Pos.	Q.ty
56177643	B.01.01.L60007_0	16	1	56178679	D.15.01.L60007_0	39	1	56179200	L.03.02.L60007_0	6	1
56177648	A.02.01.L60007_0	15	2		D.15.01.L60007_1	39	1		L.03.03.L60007_0	6	1
	A.02.01.L60008_1	15	2		D.15.02.L60007_0	39	1	56179201	L.03.01.L60007_0	6	1
56177655	A.02.01.L60007_0	24	1		D.15.02.L60007_1	39	1	56179308	U.01.02.L60008_0	7	2
	A.02.01.L60008_1	24	1	56178695	C.01.01.L60007_0	50	5	56179310	U.01.02.L60008_0	6	2
56177656	A.02.01.L60007_0	29	3		C.03.01.L60007_0	20	4	56179549	B.02.01.L60007_0	12	1
	A.02.01.L60008_1	29	3		D.03.02.L60007_0	33	1		B.02.01.L60008_1	7	1
	B.01.01.L60007_0	14	1		D.03.02.L60007_1	33	1	56179619	A.04.02.L60008_2	2	1
	B.01.01.L60007_1	14	1		D.11.01.L60007_0	17	2	56179625	B.01.01.L60007_1	4	1
	B.01.02.L60002_2	14	1		D.11.01.L60007_1	17	2		B.01.02.L60002_2	4	1
56177669	L.02.07.L60007_0	1	1		D.13.01.L60007_0	16	5	56179891	B.08.01.L60007_0	56	1
	L.02.09.L60007_0	1	1		D.13.03.L60007_0	7	4		B.08.02.L60007_0	58	1
	L.02.10.L60007_0	2	1		D.15.01.L60007_0	48	8	561A0297	B.01.01.L60007_1	33	1
56177786	L.03.04.L60007_0	6	1		D.15.01.L60007_1	48	8	561A0573	T.01.05.L60007_0	5	2
	L.03.05.L60007_0	8	1		D.15.02.L60007_0	48	8		T.01.09.L60007_0	5	2
56177787	L.01.03.L60007_0	38	2		D.15.02.L60007_1	48	8	561A0642	B.01.01.L60007_1	17	1
56177848	D.14.01.L60007_2	3	1	56178696	C.01.01.L60007_0	56	1	561A0643	B.01.01.L60007_1	32	1
56177938	E.01.01.L60007_0	16	1	56178727	L.02.01.L60007_0	14	1	561A0867	A.01.02.L60008_2	38	1
	E.01.01.L60008_1	15	1	56178805	A.03.03.L60008_0	7	1		A.01.02.L60008_3	38	1
	E.01.01.L60008_2	15	1		A.03.03.L60008_1	7	1		A.01.05.L60008_1	45	1
56177976	B.08.01.L60007_0	18	1		A.03.03.L60008_2	7	1	561A0939	U.01.02.L60008_0	8	1
	B.08.02.L60007_0	18	1		A.03.05.L60008_0	7	1	561A0948	B.07.01.L60007_3	54	1
56177979	A.01.02.L60008_0	8	1		A.03.05.L60008_1	7	1	561A2424N	B.01.02.L60002_2	20	1
	A.01.02.L60008_1	8	1		A.03.05.L60008_2	7	1	561A2425	B.01.02.L60002_2	17	1
	A.01.02.L60008_2	7	1	56178806	A.03.03.L60008_0	12	2	561A2434	B.02.01.L60008_2	23,2	1
	A.01.02.L60008_3	7	1		A.03.03.L60008_1	12	2		B.02.01.L60008_2	24,2	1
	A.01.05.L60008_0	8	1		A.03.03.L60008_2	12	2	561A2435	B.02.01.L60008_2	25	2
	A.01.05.L60008_1	26	1		A.03.05.L60008_0	12	2	561A2439	B.02.01.L60008_2	21	1
56178574	D.12.02.L60007_0	5	1		A.03.05.L60008_1	12	2	561A2440	B.02.01.L60008_2	19	2
56178575	D.12.02.L60007_0	11	1		A.03.05.L60008_2	12	2	561A2506	B.02.01.L60008_2	32	1
56178649	A.01.02.L60008_0	35	1	56178970	L.03.01.L60007_0	8	2	561A2717Z	C.02.01.L60008_0	11	1
	A.01.02.L60008_1	35	1	56179034	L.02.01.L60007_0	9	1	561A2962Z	A.01.02.L60008_3	39	1
	A.01.02.L60008_2	34	1		L.02.02.L60007_0	9	1	561A3068	B.02.01.L60008_2	29	4
	A.01.02.L60008_3	34	1		L.02.03.L60007_0	9	1	561A3315	B.02.01.L60008_2	6	1

## SPARE PARTS INSTANCE INDEX

Code	Parts Table	Pos.	Q.ty	Code	Parts Table	Pos.	Q.ty	Code	Parts Table	Pos.	Q.ty
56274487	B.08.01.L60007_0	45	2	56370178	D.12.02.L60007_0	19/1	1	56371101	T.01.08.L60007_0	13.3	2
	B.08.02.L60007_0	47	2	56370186	D.07.01.L60007_0	14	5	56371162	D.02.01.L60008_0	18	1
56275953	T.01.05.L60007_0	8.1	1		D.07.01.L60007_1	14	5	56372282	D.12.01.L60007_0	40	1
	T.01.09.L60007_0	8.1	1	56370187	D.11.01.L60007_0	5	1		D.12.01.L60007_1	40	1
56278614	D.06.01.L60007_1	31	1		D.11.01.L60007_1	5	1	56372536	D.01.01.L60007_0	3	1
562A1659	C.02.01.L60008_0	1,2	1	56370209	D.01.01.L60007_0	11		56373426	M.01.01.L60007_0	42	
562A1660	C.02.01.L60008_0	1,1	1	56370210	D.01.01.L60007_0	11		56373427	M.01.01.L60007_0	42	
56349629	L.01.03.L60007_0	36	4	56370211	D.01.01.L60007_0	11		56373428	M.01.01.L60007_0	42	
56370018	D.07.01.L60007_0	10	6	56370212	D.01.01.L60007_0	11		56373436	M.01.01.L60007_0	53	1
	D.07.01.L60007_1	10	6	56370267	D.02.01.L60008_0	28	1	56373800	C.03.01.L60007_0	13	2
56370037	D.02.01.L60008_0	33	1	56370282	L.01.01.L60002_0	22	4	56374460	B.08.01.L60007_0	33	1
56370076	D.10.01.L60007_0	10	12		L.01.01.L60007_0	22	4		B.08.02.L60007_0	33	1
56370079	D.10.01.L60007_0	7	2		L.01.03.L60007_0	22	4	56374574	L.01.01.L60002_0	30	1
56370081	C.01.01.L60007_0	4	2		M.01.01.L60007_0	32	4		L.01.01.L60007_0	30	1
	D.10.01.L60007_0	15	2	56370288	L.01.01.L60002_0	17	2		L.01.03.L60007_0	30	1
	L.02.03.L60007_0	48	1		L.01.01.L60007_0	17	2		M.01.01.L60007_0	51	1
56370089	D.01.01.L60007_0	15	0		L.01.03.L60007_0	17	3	56375008	T.02.02.L60007_0	2	4
	D.06.01.L60007_0	27			M.01.01.L60007_0	18	1	56375105	S.01.01.L60007_0	3	2
	D.06.01.L60007_1	27		56370486	C.01.01.L60007_0	32	1	56375106	S.01.01.L60007_0	24	1
	D.09.01.L60007_0	11		56370539	W.01.05.L60007_0	2	4	56375436	A.02.01.L60007_0	14	2
56370127	D.01.01.L60007_0	16		56370583	D.11.01.L60007_0	11	1		A.02.01.L60008_1	14	2
	D.06.01.L60007_0	27			D.11.01.L60007_1	11	1	56375571	D.12.02.L60007_0	20	1
	D.06.01.L60007_1	27		56370696	T.02.01.L60007_0	4	4	56375819	D.16.01.L60002_0	41	3
	D.09.01.L60007_0	11		56370761	D.06.01.L60007_0	22	1		D.16.01.L60007_0	41	3
56370128	D.01.01.L60007_0	16		56370830	D.06.01.L60007_0	27			D.16.01.L60007_1	41	3
	D.06.01.L60007_0	27			D.06.01.L60007_1	27			D.16.01.L60007_2	41	3
	D.06.01.L60007_1	27			D.09.01.L60007_0	11			D.16.01.L60007_3	41	3
	D.09.01.L60007_0	11		56371037	D.01.01.L60007_0	19	1	56375829	D.16.01.L60002_0	33	1
56370165	D.07.01.L60007_0	23	1		D.09.01.L60007_0	6	1		D.16.01.L60007_0	33	1
	D.07.01.L60007_1	23	1	56371101	T.01.02.L60007_0	4.3	1		D.16.01.L60007_1	33	1
56370172	D.07.01.L60007_0	19	3		T.01.02.L60007_0	5.3	1		D.16.01.L60007_2	33	1
	D.07.01.L60007_1	19	3		T.01.02.L60007_0	13.3	1		D.16.01.L60007_3	33	1
56370178	D.12.01.L60007_0	6	1		T.01.08.L60007_0	4.3	1	56375832	D.16.01.L60007_0	9	1
	D.12.01.L60007_1	6	1		T.01.08.L60007_0	5.3	1		D.16.01.L60007_1	9	1

## SPARE PARTS INSTANCE INDEX

Code	Parts Table	Pos.	Q.ty	Code	Parts Table	Pos.	Q.ty	Code	Parts Table	Pos.	Q.ty
56375860	L.01.01.L60002_0	24	2	56376260	L.01.01.L60002_0	15	1	56377847	A.01.05.L60008_1	30	1
	L.01.01.L60007_0	24	2		L.01.01.L60007_0	15	1	56377906	D.16.01.L60002_0	9	1
	M.01.01.L60007_0	34	2		L.01.03.L60007_0	15	1		D.16.01.L60007_2	9	1
56375876	D.16.01.L60002_0	3	1		M.01.01.L60007_0	16	1		D.16.01.L60007_3	9	1
	D.16.01.L60007_0	44	1	56376607	D.13.01.L60007_0	11	1	56377915	C.01.01.L60007_0	39	2
	D.16.01.L60007_1	44	1		D.13.03.L60007_0	10	6	56378566	D.12.01.L60007_1	66	2
	D.16.01.L60007_2	44	1	56376995	D.12.02.L60007_0	19/2	1	56378616	D.06.01.L60007_1	22	1
	D.16.01.L60007_3	3	1	56377004	D.14.01.L60007_0	34	1	56378622	D.07.01.L60007_1	24	1
56375878	C.02.01.L60008_0	3	2		D.14.01.L60007_1	34	1	56378630	D.07.01.L60007_1	25	1
56375891	D.07.01.L60007_0	25	1		D.14.01.L60007_2	34	1	56379482	C.01.01.L60007_0	29	2
56375893	D.07.01.L60007_0	24	1	56377005	D.14.01.L60007_0	35	1		F.03.01.L60007_0	30	2
56375894	D.07.01.L60007_0	22	1		D.14.01.L60007_1	35	1	563A0264	B.01.01.L60007_1	2	1
	D.07.01.L60007_1	22	1		D.14.01.L60007_2	35	1	56470002	D.02.01.L60008_0	19	1
56375895	D.07.01.L60007_0	21	1	56377007	D.14.01.L60007_0	16	1	56470110	D.04.01.L60007_0	3	1
	D.07.01.L60007_1	21	1		D.14.01.L60007_1	16	1		D.04.01.L60007_1	3	1
56375954	T.01.05.L60007_0	6	4		D.14.01.L60007_2	16	1	56470111	D.04.01.L60007_0	14	1
	T.01.09.L60007_0	6	4	56377043	D.14.01.L60007_0	9	1		D.04.01.L60007_1	14	1
56376189	D.15.01.L60007_0	5	1		D.14.01.L60007_1	9	1	56470137	D.06.01.L60007_0	10	1
	D.15.01.L60007_1	5	1		D.14.01.L60007_2	9	1		D.06.01.L60007_1	10	1
	D.15.02.L60007_0	5	1	56377095	D.03.01.L60007_0	20	1	56470138	D.06.01.L60007_0	9	3
	D.15.02.L60007_1	5	1		D.03.01.L60008_2	20	1		D.06.01.L60007_1	9	3
56376243	D.16.01.L60002_0	35	1	56377097	C.01.01.L60007_0	21	4	56470139	D.04.01.L60007_0	10	1
	D.16.01.L60007_0	35	1	56377112	A.02.01.L60007_0	11	2		D.04.01.L60007_1	10	1
	D.16.01.L60007_1	35	1		A.02.01.L60008_1	11	2	56470215	D.01.01.L60007_0	4	1
	D.16.01.L60007_2	35	1	56377332	D.03.01.L60007_0	15	1	56470216	D.01.01.L60007_0	26	2
	D.16.01.L60007_3	35	1		D.03.01.L60008_2	15	1	56470299	D.12.02.L60007_0	1	1
56376255	D.16.01.L60002_0	34	1		D.14.01.L60007_0	15	2	56470365	D.14.01.L60007_0	17	2
	D.16.01.L60007_0	34	1		D.14.01.L60007_1	15	2		D.14.01.L60007_1	17	2
	D.16.01.L60007_1	34	1		D.14.01.L60007_2	15	2		D.14.01.L60007_2	17	2
	D.16.01.L60007_2	34	1	56377434	M.01.01.L60007_0	21	1	56470987	D.12.01.L60007_0	29	1
	D.16.01.L60007_3	34	1	56377789	L.01.03.L60007_0	24	2		D.12.01.L60007_1	29	1
56376256	D.11.01.L60007_0	7	1	56377846	A.01.05.L60008_0	42	1	56471036	D.01.01.L60007_0	18	1
	D.11.01.L60007_1	7	1		A.01.05.L60008_1	29	1		D.09.01.L60007_0	7	1
56376259	M.01.01.L60007_0	26	1	56377847	A.01.05.L60008_0	41	1	56473818	D.04.01.L60007_0	6	1



## SPARE PARTS INSTANCE INDEX

Code	Parts Table	Pos.	Q.ty	Code	Parts Table	Pos.	Q.ty	Code	Parts Table	Pos.	Q.ty
56473818	D.04.01.L60007_1	6	1	56570125	D.07.01.L60007_1	38	2	57376149	B.08.01.L60007_0	6	2
56473890	D.12.01.L60007_0	51		56570219	D.06.01.L60007_0	4	1		B.08.02.L60007_0	6	2
	D.12.01.L60007_1	51		56575035	T.01.05.L60007_0	1	2	57376301	B.07.01.L60007_0	29	1
56474713	D.12.01.L60007_0	51			T.01.09.L60007_0	1	2		B.07.01.L60007_1	29	1
	D.12.01.L60007_1	51		56576723	D.16.01.L60007_0	31	1		B.07.01.L60007_2	29	1
56474714	D.12.01.L60007_0	51		56576724	D.16.01.L60007_0	32	1		B.07.01.L60007_3	29	1
	D.12.01.L60007_1	51		56577429	D.15.01.L60007_0	22	1	57376302	B.07.01.L60007_0	30	1
56475516	D.12.01.L60007_0	49	1		D.15.01.L60007_1	22	1		B.07.01.L60007_1	30	1
	D.12.01.L60007_1	49	1		D.15.02.L60007_0	22	1		B.07.01.L60007_2	30	1
56475517	D.12.01.L60007_0	51			D.15.02.L60007_1	22	1		B.07.01.L60007_3	30	1
	D.12.01.L60007_1	51			D.16.01.L60002_0	31	1	57376621	B.03.01.L60007_0	6	1
56475518	D.12.01.L60007_0	51			D.16.01.L60007_1	31	1		B.03.02.L60007_0	6	1
	D.12.01.L60007_1	51			D.16.01.L60007_2	31	1		B.03.51.L60007_0	6	1
56475568	D.12.01.L60007_0	22	1		D.16.01.L60007_3	31	1	57376622	B.03.01.L60007_0	7	1
	D.12.01.L60007_1	22	1	56577771	T.01.01.L60007_0	1	2		B.03.02.L60007_0	7	1
56475844	D.12.01.L60007_0	52	1		T.01.02.L60007_0	1	2		B.03.51.L60007_0	7	1
	D.12.01.L60007_1	52	1		T.01.06.L60007_0	1	2	57376623	B.05.01.L60007_0	9	1
56475864	D.01.01.L60007_0	29	1		T.01.08.L60007_0	1	2		B.05.02.L60007_0	7	1
56475865	D.01.01.L60007_0	30	1	56578610	D.06.01.L60007_1	4	1		B.05.51.L60007_0	7	1
56476073	D.12.01.L60007_0	25	1	56579291	D.16.01.L60002_0	32	1	57376624	B.05.01.L60007_0	10	1
56476188	D.15.01.L60007_0	2	2		D.16.01.L60007_1	32	1		B.05.02.L60007_0	8	1
	D.15.01.L60007_1	2	2		D.16.01.L60007_2	32	1		B.05.51.L60007_0	8	1
	D.15.02.L60007_0	2	2		D.16.01.L60007_3	32	1	57376670	B.02.01.L60007_0	22/1	1
	D.15.02.L60007_1	2	2	565A2166	D.02.01.L60008_0	5	1	57376671	B.05.01.L60007_0	7	1
56478567	D.12.01.L60007_1	25	1	57174915	A.05.01.L60007_0	1.3	1		B.05.02.L60007_0	5	1
564A2715	C.02.01.L60008_0	8	1	57277282	B.04.01.L60007_0	17	1		B.05.51.L60007_0	5	1
56570016	C.02.01.L60008_0	1,3	2	57277283	B.04.01.L60007_0	18	1	57376672	B.05.01.L60007_0	8	1
	D.07.01.L60007_0	17	1	57277674	B.04.02.L60007_0	12	1		B.05.02.L60007_0	6	1
	D.07.01.L60007_1	17	1	57277675	B.04.02.L60007_0	13	1		B.05.51.L60007_0	6	1
	L.01.01.L60002_0	5	2	57371900	A.05.01.L60007_0	2	1	57376677	B.03.01.L60007_0	4	1
	L.01.01.L60007_0	5	2	57374491	B.08.01.L60007_0	7	1		B.03.01.L60008_0	4	1
	L.01.03.L60007_0	5	2		B.08.02.L60007_0	7	1		B.03.02.L60007_0	4	1
	M.01.01.L60007_0	6	2	57376131	B.08.01.L60007_0	25	2		B.03.51.L60007_0	4	1
56570125	D.07.01.L60007_0	38	2		B.08.02.L60007_0	25	2	57376678	B.03.01.L60007_0	5	1





## SPARE PARTS INSTANCE INDEX

Code	Parts Table	Pos.	Q.ty	Code	Parts Table	Pos.	Q.ty	Code	Parts Table	Pos.	Q.ty
57376678	B.03.01.L60008_0	5	1	57379366	L.03.01.L60007_0	28.2	1	58070205	D.11.01.L60007_1	14	1
	B.03.02.L60007_0	5	1	57379367	L.03.02.L60007_0	30/2	1	58070262	D.02.01.L60008_0	27	1
	B.03.51.L60007_0	5	1	57379384	L.03.05.L60007_0	37	1	58070268	D.02.01.L60008_0	29	1
57376899	B.02.01.L60007_0	22/2	1	573A0226	A.03.03.L60008_3	5	1	58070390	B.08.01.L60007_0	35	1
57376962	L.03.03.L60007_0	31/2	1		A.03.03.L60008_4	5	1		B.08.02.L60007_0	35	1
57377073	B.08.01.L60007_0	28	1		A.03.05.L60008_3	5	1	58070480	T.01.01.L60007_0	9.1	2
	B.08.02.L60007_0	28	1		A.03.05.L60008_4	5	1		T.01.02.L60007_0	12.1	2
57377106	A.02.01.L60007_0	13	2	573A0854	A.03.03.L60008_4	12	1		T.01.06.L60007_0	9.1	2
	A.02.01.L60008_1	13	2	573A0861	A.03.05.L60008_4	12	1		T.01.08.L60007_0	12.1	2
57377110	A.02.01.L60007_0	19	2	573A1473V	B.02.01.L60008_1	12/1	1	58070482	T.01.01.L60007_0	10.3	1
	A.02.01.L60008_1	19	2	573A1474V	B.02.01.L60008_1	12/2	1		T.01.05.L60007_0	19.2	2
57377280	B.04.02.L60007_0	17	1	573A2412V	B.02.01.L60008_2	30	1		T.01.06.L60007_0	10.3	1
57377281	B.04.02.L60007_0	18	1	573A2502V	B.02.01.L60008_2	31	1		T.01.09.L60007_0	19.3	2
57377284	B.04.01.L60007_0	22	1	58025869	M.01.01.L60007_0	42		58070513	L.02.08.L60007_0	27	1
57377285	B.04.01.L60007_0	23	1	58035255	B.07.01.L60007_2	54	1		L.02.11.L60007_0	27	1
57377288	L.03.04.L60007_0	32	1		B.07.01.L60007_3	53	1	58070690	A.05.01.L60007_0	19	1
57377317	A.04.05.L60008_0	8	1		E.05.01.L60008_0	5	1	58070741	D.03.01.L60007_0	16	1
	A.04.05.L60008_1	8	1		E.05.01.L60008_1	5	1		D.03.01.L60008_2	16	1
57377334V	Y.01.04.L60007_0	45/2	1		E.05.01.L60008_2	5	1		D.07.01.L60007_0	36	5
57377338V	Y.01.04.L60007_0	45/1	1	58048002	A.02.01.L60007_0	30	4		D.07.01.L60007_1	36	5
57377350V	Y.01.01.L60007_0	64/1	1		A.02.01.L60008_1	30	4		D.12.02.L60007_0	22	2
57377354V	Y.01.01.L60007_0	64/2	1		B.01.01.L60007_0	12	1		D.14.01.L60007_0	14	2
57377408	B.08.01.L60007_0	39	1		B.01.01.L60007_1	12	1		D.14.01.L60007_1	14	2
	B.08.02.L60007_0	41	1		B.01.02.L60002_2	12	1		D.14.01.L60007_2	14	2
57377440	J.01.01.L60007_0	1	1	58070071	D.10.01.L60007_0	4	2	58070875	A.03.03.L60008_3	29	1
	J.01.01.L60007_1	1	1	58070164	D.07.01.L60007_0	18	3		A.03.03.L60008_4	29	1
	J.01.01.L60007_2	1	1		D.07.01.L60007_1	18	3		A.03.05.L60008_3	29	1
	J.01.01.L60007_3	1	1	58070168	D.07.01.L60007_0	20	3		A.03.05.L60008_4	29	1
	J.01.02.L60007_1	1	1		D.07.01.L60007_1	20	3	58071313	E.01.01.L60007_0	3	1
57377545	L.02.08.L60007_0	53	1	58070169	D.07.01.L60007_0	8	3		E.01.01.L60008_1	3	1
57379204	L.03.01.L60007_0	28.1	1		D.07.01.L60007_1	8	3		E.01.01.L60008_2	3	1
57379205	L.03.02.L60007_0	30/1	1	58070198	D.11.01.L60007_0	10	1	58071322	T.01.01.L60007_0	4	2
57379251	J.01.02.L60007_0	1	1		D.11.01.L60007_1	10	1		T.01.06.L60007_0	4	2
57379338	L.03.03.L60007_0	31/1	1	58070205	D.11.01.L60007_0	14	1	58071755	T.01.01.L60007_0	10.1	2

## SPARE PARTS INSTANCE INDEX

Code	Parts Table	Pos.	Q.ty	Code	Parts Table	Pos.	Q.ty	Code	Parts Table	Pos.	Q.ty
58071755	T.01.02.L60007_0	13.1	2	58072518	B.06.05.L60008_1	14	1	58074558	D.15.01.L60007_1	55	1
	T.01.05.L60007_0	19.1	2		B.06.51.L60007_0	26/1	1		D.15.02.L60007_0	55	1
	T.01.06.L60007_0	10.1	2	58072574	B.06.01.L60007_0	26/2	1		D.15.02.L60007_1	55	1
	T.01.08.L60007_0	13.1	2		B.06.02.L60007_0	26/2	1	58074733	F.03.01.L60007_0	19	2
	T.01.08.L60007_0	25.1	2		B.06.05.L60007_0	13	1	58074777	B.06.01.L60007_0	9	1
	T.01.09.L60007_0	28	1		B.06.05.L60008_1	13	1		B.06.02.L60007_0	9	1
	T.01.09.L60007_0	19.1	2		B.06.51.L60007_0	26/2	1		B.06.51.L60007_0	9	1
58071758	T.01.08.L60007_0	26	1	58072575	B.06.01.L60007_0	22	1	58074831	B.01.01.L60007_0	15	1
58071864	T.01.02.L60007_0	4.1	1		B.06.02.L60007_0	22	1		B.01.01.L60007_1	16	1
	T.01.02.L60007_0	5.1	1		B.06.05.L60007_0	15	1		B.01.02.L60002_2	16	1
	T.01.08.L60007_0	4.1	1		B.06.05.L60008_1	15	1	58074836	F.03.01.L60007_0	2	1
	T.01.08.L60007_0	5.1	1		B.06.51.L60007_0	22	1	58074839	B.06.01.L60007_0	27	1
58072045	L.02.01.L60007_0	1	1	58072737	B.06.01.L60007_0	24	1		B.06.01.L60007_1	10	1
	L.02.02.L60007_0	1	1		B.06.02.L60007_0	24	1	58074841	B.06.01.L60007_0	14	1
	L.02.03.L60007_0	1	1		B.06.51.L60007_0	24	1		B.06.02.L60007_0	14	1
58072081	E.01.01.L60007_0	4	1	58073227	A.02.01.L60007_0	9	2		B.06.05.L60007_0	25	1
	E.01.01.L60008_1	4	1		A.02.01.L60008_1	9	2		B.06.51.L60007_0	14	1
	E.01.01.L60008_2	4	1	58073411	M.01.01.L60007_0	43	2	58074846	B.06.01.L60007_0	28	1
58072389	D.12.01.L60007_0	38	1	58073461	D.02.01.L60008_0	12,1	1		B.06.01.L60007_1	11	1
	D.12.01.L60007_1	38	1	58073889	D.12.01.L60007_1	50	1	58074880	B.06.01.L60007_0	15	1
58072398	D.12.01.L60007_0	46	4	58074092	D.12.01.L60007_0	39	1		B.06.02.L60007_0	15	1
	D.12.01.L60007_1	46	4		D.12.01.L60007_1	39	1		B.06.05.L60007_0	19	1
	D.16.01.L60007_0	11	2	58074220	B.06.01.L60007_0	19	1		B.06.05.L60008_1	19	1
	D.16.01.L60007_1	11	2		B.06.02.L60007_0	19	1		B.06.51.L60007_0	15	1
58072399	D.12.01.L60007_0	41	1		B.06.51.L60007_0	19	1	58074895	A.05.01.L60007_0	21	1
	D.12.01.L60007_1	41	1	58074221	B.06.01.L60007_0	18	1	58075603	L.01.01.L60002_0	7	1
58072511	B.06.01.L60007_0	20	1		B.06.02.L60007_0	18	1		L.01.01.L60007_0	7	1
	B.06.02.L60007_0	20	1		B.06.51.L60007_0	18	1		L.01.03.L60007_0	7	1
	B.06.05.L60007_0	2	1	58074222	B.06.01.L60007_0	17	1		M.01.01.L60007_0	8	1
	B.06.05.L60008_1	2	1		B.06.02.L60007_0	17	1	58075696	D.13.03.L60007_0	3	2
	B.06.51.L60007_0	20	1		B.06.51.L60007_0	17	1	58075788	D.13.01.L60007_0	3	2
58072518	B.06.01.L60007_0	26/1	1	58074558	D.03.02.L60007_0	48	1	58075833	D.16.01.L60002_0	18	1
	B.06.02.L60007_0	26/1	1		D.03.02.L60007_1	48	1		D.16.01.L60007_0	18	1
	B.06.05.L60007_0	14	1		D.15.01.L60007_0	55	1		D.16.01.L60007_1	18	1

## SPARE PARTS INSTANCE INDEX

Code	Parts Table	Pos.	Q.ty	Code	Parts Table	Pos.	Q.ty	Code	Parts Table	Pos.	Q.ty
58075833	D.16.01.L60007_2	18	1	58076232	D.15.01.L60007_1	44	1	58076366	T.01.08.L60007_0	27	4
	D.16.01.L60007_3	18	1		D.15.02.L60007_0	44	1		T.01.09.L60007_0	29	4
58075843	T.01.06.L60007_0	23	1		D.15.02.L60007_1	44	1	58076369	T.01.01.L60007_0	15	1
58075873	A.03.03.L60008_0	30	1	58076254	D.13.01.L60007_0	10	1		T.01.02.L60007_0	18	1
	A.03.03.L60008_1	30	1		D.13.03.L60007_0	12	6		T.01.05.L60007_0	22	1
	A.03.03.L60008_2	30	1	58076325	D.15.01.L60007_0	59	1		T.01.06.L60007_0	15	1
	A.03.03.L60008_3	21	1		D.15.01.L60007_1	59	1		T.01.08.L60007_0	18	1
	A.03.03.L60008_4	21	1		D.15.02.L60007_0	59	1		T.01.09.L60007_0	22	1
	A.03.05.L60008_0	30	1		D.15.02.L60007_1	59	1	58076508	E.02.01.L60007_0	1	1
	A.03.05.L60008_1	30	1		F.03.01.L60007_0	13	1	58076509	E.01.01.L60007_0	7	1
	A.03.05.L60008_2	30	1	58076326	D.15.01.L60007_0	65	1	58076510	E.02.01.L60007_0	2	1
	A.03.05.L60008_3	21	1		D.15.01.L60007_1	65	1		E.03.01.L60007_0	6	1
	A.03.05.L60008_4	21	1		D.15.02.L60007_0	65	1	58076512	D.12.02.L60007_0	29	1
58075983	T.01.01.L60007_0	11	1		D.15.02.L60007_1	65	1	58076606	D.13.01.L60007_0	12	1
58075987	T.01.02.L60007_0	14	1	58076330	D.03.01.L60007_0	28	1		D.13.03.L60007_0	11	6
	T.01.05.L60007_0	20	1		D.03.01.L60008_2	28	1	58076609	D.13.01.L60007_0	4	2
58076077	B.06.01.L60007_0	23	1		D.03.02.L60007_0	28	1	58076750	A.04.02.L60008_0	8	1
	B.06.02.L60007_0	23	1		D.03.02.L60007_1	28	1		A.04.05.L60008_0	9	1
	B.06.05.L60007_0	12	1	58076331	F.03.01.L60007_0	18	2	58076752	A.05.01.L60007_0	11	3
	B.06.05.L60008_1	12	1	58076332	F.03.01.L60007_0	7	2	58076753	A.04.02.L60008_0	6	1
	B.06.51.L60007_0	23	1	58076333	F.02.01.L60007_0	15			A.04.02.L60008_1	6	1
58076081	T.01.02.L60007_0	5.2	1		F.02.01.L60008_1	13		58076759	D.13.01.L60007_0	6	1
	T.01.08.L60007_0	5.2	1	58076334	F.02.01.L60007_0	16		58076760	D.13.03.L60007_0	6	2
58076082	T.01.02.L60007_0	4.2	1		F.02.01.L60008_1	14		58076761	D.13.03.L60007_0	5	2
	T.01.08.L60007_0	4.2	1		F.02.02.L60007_0	15		58076865	D.15.01.L60007_0	10	1
58076083	T.01.02.L60007_0	5	1		F.02.02.L60007_1	15			D.15.02.L60007_0	10	1
	T.01.08.L60007_0	5	1	58076349	T.01.06.L60007_0	22	1	58076871	C.01.01.L60007_0	54	1
58076084	T.01.02.L60007_0	4	1		T.01.08.L60007_0	24	1		D.03.02.L60007_0	35	1
	T.01.08.L60007_0	4	1		T.01.09.L60007_0	26	1		D.03.02.L60007_1	35	1
58076231	D.15.01.L60007_0	45	1	58076354	T.01.01.L60007_0	9	2		D.13.01.L60007_0	21	1
	D.15.01.L60007_1	45	1		T.01.06.L60007_0	9	2	58076984V	B.02.01.L60007_0	26	1
	D.15.02.L60007_0	45	1	58076356	T.01.02.L60007_0	12	2		B.02.01.L60008_1	16	1
	D.15.02.L60007_1	45	1		T.01.08.L60007_0	12	2	58076987V	B.02.01.L60007_0	27	1
58076232	D.15.01.L60007_0	44	1	58076366	T.01.06.L60007_0	24	4		B.02.01.L60008_1	17	1

## SPARE PARTS INSTANCE INDEX

Code	Parts Table	Pos.	Q.ty	Code	Parts Table	Pos.	Q.ty	Code	Parts Table	Pos.	Q.ty
58076992	L.02.07.L60007_0	32	1	58077052	B.06.01.L60007_0	31	1	58077132	A.03.05.L60008_2	32	1
	L.02.09.L60007_0	31	1		B.06.01.L60007_1	14	1	58077144	B.06.01.L60007_0	6	2
	L.02.10.L60007_0	23	1		B.06.02.L60007_0	28	1		B.06.02.L60007_0	6	2
58076993	L.02.07.L60007_0	33	1		B.06.02.L60008_1	13	1		B.06.51.L60007_0	6	2
	L.02.09.L60007_0	32	1		B.06.02.L60008_2	17	1	58077184	B.06.01.L60007_0	8/1	2
	L.02.10.L60007_0	24	1		B.06.51.L60007_0	29	1		B.06.02.L60007_0	8/1	2
58077000	B.06.01.L60007_0	1	1	58077053	B.06.01.L60007_0	32	1		B.06.51.L60007_0	8/1	2
	B.06.02.L60007_0	1	1		B.06.01.L60007_1	15	1	58077185	B.06.01.L60007_0	8/2	2
	B.06.51.L60007_0	1	1		B.06.02.L60007_0	29	1		B.06.02.L60007_0	8/2	2
58077046	B.06.01.L60007_0	16	1		B.06.02.L60008_1	14	1		B.06.51.L60007_0	8/2	2
	B.06.02.L60007_0	16	1		B.06.02.L60008_2	18	1	58077186	B.06.01.L60007_0	8/3	2
	B.06.05.L60007_0	16	1		B.06.51.L60007_0	30	1		B.06.02.L60007_0	8/3	2
	B.06.05.L60008_1	16	1	58077054	B.06.01.L60007_0	33	1		B.06.51.L60007_0	8/3	2
	B.06.51.L60007_0	16	1		B.06.02.L60007_0	30	1	58077187	B.06.01.L60007_0	7	2
58077047	B.06.01.L60007_0	21	1		B.06.05.L60007_0	11	1		B.06.02.L60007_0	7	2
	B.06.02.L60007_0	21	1		B.06.05.L60008_1	11	1		B.06.51.L60007_0	7	2
	B.06.05.L60007_0	3	1		B.06.51.L60007_0	31	1	58077191	B.06.01.L60007_0	4	1
	B.06.05.L60008_1	3	1	58077060	E.03.01.L60007_0	1	2		B.06.02.L60007_0	4	1
	B.06.51.L60007_0	21	1	58077061	E.04.01.L60007_0	6	1		B.06.51.L60007_0	4	1
58077048	B.06.01.L60007_0	35	1	58077062	E.04.01.L60007_0	5	1	58077192	B.06.01.L60007_0	5	1
	B.06.02.L60007_0	32	1	58077096	D.03.02.L60007_0	7	1		B.06.02.L60007_0	5	1
	B.06.05.L60007_0	6	1		D.03.02.L60007_1	7	1		B.06.51.L60007_0	5	1
	B.06.05.L60008_1	6	1	58077114	L.02.01.L60007_0	7	1	58077195	B.06.01.L60007_0	2	1
	B.06.51.L60007_0	33	1		L.02.02.L60007_0	7	1		B.06.02.L60007_0	2	1
58077049	B.06.01.L60007_0	29	1		L.02.03.L60007_0	7	1		B.06.51.L60007_0	2	1
	B.06.01.L60007_1	16	1	58077115	F.03.01.L60007_0	23	1	58077196	B.06.01.L60007_0	3	1
	B.06.02.L60008_2	15	1	58077116	D.03.02.L60007_0	55	1		B.06.02.L60007_0	3	1
	B.06.51.L60007_0	27	1		D.03.02.L60007_1	56	1		B.06.51.L60007_0	3	1
58077051	B.06.01.L60007_0	30	1		F.03.01.L60007_0	6	1	58077198	T.01.02.L60007_0	13	2
	B.06.01.L60007_1	13	1	58077132	A.03.03.L60008_0	32	1		T.01.08.L60007_0	13	1
	B.06.02.L60007_0	27	1		A.03.03.L60008_1	32	1	58077202	T.01.01.L60007_0	18	2
	B.06.02.L60008_1	12	1		A.03.03.L60008_2	32	1		T.01.06.L60007_0	18	1
	B.06.02.L60008_2	14	1		A.03.05.L60008_0	32	1	58077205	T.01.01.L60007_0	10	2
	B.06.51.L60007_0	28	1		A.03.05.L60008_1	32	1	58077212	D.03.02.L60007_0	36	1

## SPARE PARTS INSTANCE INDEX

Code	Parts Table	Pos.	Q.ty	Code	Parts Table	Pos.	Q.ty	Code	Parts Table	Pos.	Q.ty	
58077212	D.03.02.L60007_1	36	1	58077421	B.06.01.L60007_0	12	1	58077963	J.01.01.L60007_0	17	1	
	D.14.01.L60007_0	30	1		B.06.02.L60007_0	12	1		J.01.01.L60007_1	17	1	
	D.14.01.L60007_1	30	1		B.06.05.L60007_0	4	1		J.01.01.L60007_2	15	1	
	D.14.01.L60007_2	30	1		B.06.51.L60007_0	12	1		J.01.01.L60007_3	15	1	
58077213	D.03.02.L60007_0	37	1	58077422	B.06.01.L60007_0	13	1	58077984	J.01.02.L60007_0	17	1	
	D.03.02.L60007_1	37	1		B.06.02.L60007_0	13	1		J.01.02.L60007_1	15	1	
	D.14.01.L60007_0	29	1		B.06.05.L60007_0	5	1		E.05.01.L60008_0	3	1	
	D.14.01.L60007_1	29	1		B.06.51.L60007_0	13	1		58078608	F.02.02.L60007_0	14	
58077214	D.14.01.L60007_0	25	1	58077484	A.01.02.L60008_0	37	1	58078625	F.02.02.L60007_1	14		
	D.14.01.L60007_1	25	1		58077573	L.02.08.L60007_0	20		1	A.02.01.L60007_0	4	1
	D.14.01.L60007_2	25	1			L.02.11.L60007_0	20		1	A.02.01.L60008_1	4	1
	D.14.01.L60007_0	26	1			58077613	D.03.01.L60007_0		8	1	58078677	A.03.03.L60008_0
D.14.01.L60007_1	26	1	D.03.01.L60008_2	8			1	A.03.03.L60008_1	29	1		
D.14.01.L60007_2	26	1	58077616	B.06.02.L60007_0	31/1		1	A.03.03.L60008_2	29	1		
D.14.01.L60007_0	28	1		B.06.02.L60008_1	9		1	A.03.05.L60008_0	29	1		
D.14.01.L60007_1	28	1		58077617	B.06.51.L60007_0	32	1	A.03.05.L60008_1	29	1		
D.14.01.L60007_2	28	1			58077618	B.06.02.L60007_0	31/2	1	A.03.05.L60008_2	29	1	
D.14.01.L60007_0	28	1	58077619			B.06.01.L60007_0	34	1	58078881	E.02.01.L60007_0	3	1
D.03.01.L60007_0	40	1				B.06.01.L60007_1	8	1		E.02.01.L60007_1	3	1
D.03.01.L60008_2	40	1		58077659		J.01.01.L60007_0	18	1		58079118	C.02.01.L60008_0	1,4
E.02.01.L60007_0	10	1			J.01.01.L60007_1	18	1	58079130			A.01.05.L60008_0	36
E.02.01.L60007_1	10	1	J.01.01.L60007_2		16	1	A.01.05.L60008_1		31		1	
T.01.05.L60007_0	19	2	J.01.01.L60007_3		16	1	58079202		L.02.01.L60007_0		26	1
T.01.09.L60007_0	19	1	J.01.02.L60007_0	18	1	L.02.02.L60007_0			24	1		
58077325	D.03.01.L60007_0	17	1	J.01.02.L60007_1	16	1		L.02.03.L60007_0	22	1		
	D.03.01.L60008_2	17	1	58077666	L.02.08.L60007_0	25		1	M.02.01.L60007_0	25	1	
	D.14.01.L60007_0	13	2		L.02.11.L60007_0	25	1	M.02.03.L60007_0	19	1		
	D.14.01.L60007_1	13	2		58077777	D.15.01.L60007_1	10	1	M.02.04.L60007_0	19	1	
D.14.01.L60007_2	13	2	D.15.02.L60007_1			10	1	58079203	L.02.01.L60007_0	25	1	
58077333	A.02.01.L60007_0	5	2	58077908		D.16.01.L60002_0	11		2	L.02.02.L60007_0	23	1
	A.02.01.L60008_1	5	2			D.16.01.L60007_2	11		2	L.02.03.L60007_0	21	1
	58077361	D.14.01.L60007_0	21		2	D.16.01.L60007_3	11		2	M.02.01.L60007_0	24	1
		D.14.01.L60007_1	21		2	58077942	F.02.02.L60007_0	7		M.02.03.L60007_0	18	1
D.14.01.L60007_2		21	2	F.02.02.L60007_1	7			M.02.04.L60007_0	18	1		
D.14.01.L60007_0		21	2									
D.14.01.L60007_1	21	2										

## SPARE PARTS INSTANCE INDEX

Code	Parts Table	Pos.	Q.ty	Code	Parts Table	Pos.	Q.ty	Code	Parts Table	Pos.	Q.ty
58079277	E.01.01.L60007_0	15	1	580A0127	E.02.01.L60007_1	12	1	580A1151	B.06.02.L60008_1	5	2
58079278	B.07.01.L60007_2	53	1	580A0277	B.06.02.L60008_2	3	2	580A1152	B.06.01.L60007_1	2	1
58079279	B.07.01.L60007_0	49	1	580A0285	B.06.02.L60008_2	12	1		B.06.02.L60008_1	2	1
	B.07.01.L60007_1	49	1	580A0313	B.06.02.L60008_2	8	1	580A1153	B.06.01.L60007_1	1	1
58079362	L.02.10.L60007_0	10	1	580A0606	A.03.03.L60008_3	28	1		B.06.02.L60008_1	1	1
	M.02.01.L60007_0	2	1		A.03.03.L60008_4	28	1	580A1155	B.06.01.L60007_1	3	2
58079388	D.03.02.L60007_1	24	1		A.03.05.L60008_3	28	1		B.06.02.L60008_1	3	2
58079509	B.06.02.L60007_0	34	1		A.03.05.L60008_4	28	1	580A1156	B.06.01.L60007_1	6/3	2
	B.06.02.L60008_1	15	1	580A0946	B.07.01.L60007_3	1	1		B.06.02.L60008_1	6/2	2
	B.06.02.L60008_2	19	1		E.02.01.L60007_1	1	1	580A1157	B.06.01.L60007_1	6/2	2
58079511	B.06.02.L60007_0	35	1	580A1015	B.06.05.L60007_0	7	1		B.06.02.L60008_1	6/1	2
	B.06.02.L60008_1	16	1		B.06.05.L60008_1	7	1	580A1158	B.06.01.L60007_1	6/1	2
58079512	B.06.02.L60007_0	33	1	580A1016	B.06.05.L60007_0	17	1	580A1159	B.06.05.L60007_0	26	1
	B.06.02.L60008_1	10	1		B.06.05.L60008_1	17	1	580A1161	B.06.01.L60007_1	4	1
58079631	A.04.02.L60008_2	6	1	580A1023	B.06.05.L60007_0	23	1		B.06.02.L60008_1	4	1
58079659	A.04.02.L60008_2	8	1		B.06.05.L60008_1	23	1	580A1455	A.01.02.L60008_2	26	1
58079755	E.01.01.L60008_1	7	1	580A1037	B.06.05.L60007_0	8	1		A.01.02.L60008_3	26	1
58079781	A.04.02.L60008_1	8	1		B.06.05.L60008_1	8	1		A.01.05.L60008_1	19	1
	A.04.05.L60008_1	9	1	580A1038	B.06.05.L60007_0	18	1	580A1581	B.06.05.L60007_0	22	1
58079935	B.07.01.L60007_0	1	1		B.06.05.L60008_1	18	1		B.06.05.L60008_1	22	1
	B.07.01.L60007_1	1	1	580A1039	B.06.05.L60007_0	27	1	580A1582	B.06.05.L60007_0	20	1
	B.07.01.L60007_2	1	1		B.06.05.L60008_1	27	1		B.06.05.L60008_1	20	1
58092972	B.02.01.L60007_0	7	1	580A1040	A.03.03.L60008_3	33	1	580A1583	B.06.05.L60007_0	21	1
	B.02.01.L60008_1	2	1		A.03.03.L60008_4	33	1		B.06.05.L60008_1	21	1
	B.02.01.L60008_2	13	1		A.03.05.L60008_3	33	1	580A1605	B.06.05.L60007_0	28	1
58093053	A.03.03.L60008_3	25	1		A.03.05.L60008_4	33	1		B.06.05.L60008_1	4	1
	A.03.03.L60008_4	25	1	580A1042	B.06.05.L60007_0	1	1	580A1606	B.06.05.L60007_0	10	1
	A.03.05.L60008_3	25	1		B.06.05.L60008_1	1	1		B.06.05.L60008_1	10	1
	A.03.05.L60008_4	25	1	580A1121	B.06.01.L60007_1	9	1	580A1607	B.06.05.L60007_0	9	1
580A0123	E.01.01.L60008_2	7	1		B.06.02.L60008_1	8	1		B.06.05.L60008_1	9	1
580A0124	E.02.01.L60007_1	2	1		B.06.02.L60008_2	9	1	580A1609	B.06.05.L60007_0	29	4
580A0126	E.05.01.L60008_1	3	1	580A1136	B.06.02.L60008_2	10	1		B.06.05.L60008_1	5	4
580A0127	B.07.01.L60007_2	50	1	580A1137	B.06.02.L60008_2	11	1	580A1662	C.02.01.L60008_0	7	1
	B.07.01.L60007_3	50	1	580A1151	B.06.01.L60007_1	5	2	580A2179	B.06.05.L60008_1	26	1



## SPARE PARTS INSTANCE INDEX

Code	Parts Table	Pos.	Q.ty	Code	Parts Table	Pos.	Q.ty	Code	Parts Table	Pos.	Q.ty
580A2196	B.06.02.L60008_2	20	1	58170291	L.01.03.L60007_0	16	2	58170866	Y.01.01.L60007_0	67	4
580A2238	E.05.01.L60008_2	3	1		M.01.01.L60007_0	17	2		Y.01.04.L60007_0	53	12
580A2845	B.06.02.L60008_2	4	1		S.01.01.L60007_0	21	2	58170968	B.03.01.L60007_0	23	1
580A2852	B.06.02.L60008_2	2	1	58170306	D.02.01.L60008_0	20	2		B.03.01.L60008_0	23	1
580A2853	B.06.02.L60008_2	1	1	58170339	A.03.03.L60008_3	30	1	58171000	T.01.02.L60007_0	6	2
580A2894	B.06.02.L60008_2	5	2		A.03.03.L60008_4	30	1		T.01.05.L60007_0	11	2
580A2895	B.06.02.L60008_2	7	2		A.03.05.L60008_3	30	1		T.01.08.L60007_0	6	2
580A2897	B.06.02.L60008_2	6	2		A.03.05.L60008_4	30	1		T.01.09.L60007_0	11	2
580A2974	B.02.01.L60008_2	36	1	58170376	B.07.01.L60007_0	28	2	58171021	T.01.01.L60007_0	4.2	1
580A3075	B.06.05.L60008_1	25	1		B.07.01.L60007_1	28	2		T.01.02.L60007_0	7	2
580A3174	B.02.01.L60008_2	38	1		B.07.01.L60007_2	28	2		T.01.05.L60007_0	12/1	2
580A3324	B.06.02.L60008_2	16	2		B.07.01.L60007_3	28	2		T.01.06.L60007_0	4.2	1
58170021	C.03.01.L60007_0	4	1	58170436	B.02.01.L60007_0	8	1		T.01.08.L60007_0	7	2
58170034	D.02.01.L60008_0	30	6		B.02.01.L60008_1	3	1		T.01.09.L60007_0	12/1	2
58170039	D.01.01.L60007_0	23	4		B.08.01.L60007_0	48	1	58171027	A.04.02.L60008_0	1.4	1
58170054	D.07.01.L60007_0	7	3		B.08.02.L60007_0	50	1		A.04.02.L60008_1	1.4	1
	D.07.01.L60007_1	7	3	58170443	D.02.01.L60008_0	23	1		A.04.02.L60008_2	1.4	1
58170069	C.01.01.L60007_0	33	1	58170453	B.07.01.L60007_0	2	1		A.04.05.L60008_0	1.4	1
58170070	D.10.01.L60007_0	12	6		B.07.01.L60007_1	2	1		A.04.05.L60008_1	1.4	1
58170077	C.01.01.L60007_0	27	4		B.07.01.L60007_2	2	1	58171028	A.04.02.L60008_0	1.3	1
58170130	D.04.01.L60007_0	23	1		B.07.01.L60007_3	2	1		A.04.02.L60008_1	1.3	1
	D.04.01.L60007_1	23	1	58170571	E.02.01.L60007_0	4.2	1		A.04.02.L60008_2	1.3	1
	D.12.01.L60007_0	10	1		E.02.01.L60007_1	4.2	1		A.04.05.L60008_0	1.3	1
	D.12.01.L60007_1	10	1	58170572	E.02.01.L60007_0	4.1	1		A.04.05.L60008_1	1.3	1
58170181	W.01.01.L60007_0	1.1	1		E.02.01.L60007_1	4.1	1	58171069	A.04.05.L60008_0	6	1
58170195	D.11.01.L60007_0	6	2	58170597	L.02.07.L60007_0	5	1		A.04.05.L60008_1	6	1
	D.11.01.L60007_1	6	2		L.02.09.L60007_0	5	1	58171139	D.06.01.L60007_0	7	2
58170238	A.05.01.L60007_0	3	1		L.02.10.L60007_0	6	1		D.06.01.L60007_1	7	2
58170245	L.01.01.L60007_0	21	2	58170693	L.02.01.L60007_0	35	1	58171199	A.01.02.L60008_0	1.1	1
	M.01.01.L60007_0	31	2		L.02.02.L60007_0	32	1		A.01.02.L60008_1	1.1	1
58170279	D.04.01.L60007_0	8	1		L.02.03.L60007_0	30	1		A.01.02.L60008_2	1.1	1
	D.04.01.L60007_1	8	1	58170731	W.01.02.L60007_0	1/1	4		A.01.02.L60008_3	1.1	1
58170291	L.01.01.L60002_0	16	2	58170863	Y.01.04.L60007_0	49	4		A.01.05.L60008_0	1.1	1
	L.01.01.L60007_0	16	2	58170864	Y.01.04.L60007_0	50	6		A.01.05.L60008_1	1.1	1

## SPARE PARTS INSTANCE INDEX

Code	Parts Table	Pos.	Q.ty	Code	Parts Table	Pos.	Q.ty	Code	Parts Table	Pos.	Q.ty
58171200	A.01.02.L60008_0	1.2	1	58172400	D.02.01.L60008_0	24	1	58173195	D.03.02.L60007_0	9	2
	A.01.02.L60008_1	1.2	1		D.12.01.L60007_0	33	1		D.03.02.L60007_1	9	2
	A.01.02.L60008_2	1.2	1		D.12.01.L60007_1	33	1	58173345	B.07.01.L60007_0	3	1
	A.01.02.L60008_3	1,2	1	58172402	D.12.01.L60007_0	34	1		B.07.01.L60007_1	3	1
	A.01.05.L60008_0	1.2	1		D.12.01.L60007_1	34	1		B.07.01.L60007_2	3	1
	A.01.05.L60008_1	1.2	1	58172447	D.12.01.L60007_0	35	8		B.07.01.L60007_3	3	1
58171239	B.09.06.L60007_0	15	2		D.12.01.L60007_1	35	8	58173399	D.15.01.L60007_0	61	1
58171536	L.01.01.L60002_0	21,2	1	58172448	D.12.01.L60007_0	36	8		D.15.01.L60007_1	61	1
	L.01.01.L60007_0	21,2	1		D.12.01.L60007_1	36	8		D.15.02.L60007_0	61	1
	L.01.03.L60007_0	21,2	1	58172463	D.15.01.L60007_0	38	5		D.15.02.L60007_1	61	1
	M.01.01.L60007_0	31,2			D.15.01.L60007_1	38	5	58173505	F.01.01.L60007_0	8	1
58171537	L.01.01.L60002_0	21,1	1		D.15.02.L60007_0	38	5	58173664	D.02.01.L60008_0	9	1
	L.01.01.L60007_0	21,1	1		D.15.02.L60007_1	38	5	58173767	B.07.01.L60007_0	41	4
	L.01.03.L60007_0	21,1	1	58172489	L.03.01.L60007_0	5	1		B.07.01.L60007_1	41	4
	M.01.01.L60007_0	31,1			L.03.03.L60007_0	5	1		B.07.01.L60007_2	41	4
58171901	A.05.01.L60007_0	22	1	58173030	D.03.02.L60007_0	27	1		B.07.01.L60007_3	41	4
	J.01.01.L60007_0	12	1		D.03.02.L60007_1	27	1	58173772	B.06.01.L60007_0	10	1
	J.01.01.L60007_1	12	1	58173072	T.01.02.L60007_0	14,2	1		B.06.02.L60007_0	10	1
	J.01.01.L60007_2	10	1		T.01.05.L60007_0	20,1	1		B.06.51.L60007_0	10	1
	J.01.01.L60007_3	10	1		T.01.09.L60007_0	20,1	1	58173773	B.06.01.L60007_0	11	1
	J.01.02.L60007_0	12	1	58173118	B.07.01.L60007_0	51	1		B.06.02.L60007_0	11	1
	J.01.02.L60007_1	10	1		B.07.01.L60007_1	51	1		B.06.51.L60007_0	11	1
58172015	L.02.07.L60007_0	34	1	58173119	B.07.01.L60007_0	5,1	4	58173775	B.06.05.L60007_0	0	1
	L.02.08.L60007_0	44	1		B.07.01.L60007_1	5,1	4	58173931	W.01.02.L60007_0	1/2	4
	L.02.09.L60007_0	33	1		B.07.01.L60007_2	5,1	3	58173961	D.03.02.L60007_0	23	1
	L.02.10.L60007_0	29	1		B.07.01.L60007_3	5,1	3	58174192	D.07.01.L60007_0	1	3
	L.02.11.L60007_0	44	1	58173120	B.07.01.L60007_0	12,2	1		D.07.01.L60007_1	1	3
58172016	L.03.02.L60007_0	12	1		B.07.01.L60007_1	12,2	1	58174547	D.03.02.L60007_0	40	1
	L.03.03.L60007_0	11	1		B.07.01.L60007_2	12,2	1		D.03.02.L60007_1	40	1
58172017	L.03.01.L60007_0	9	1		B.07.01.L60007_3	12,2	1	58174555	B.08.01.L60007_0	11	1
58172018	L.03.04.L60007_0	11	1	58173121	B.07.01.L60007_0	5,3	1		B.08.02.L60007_0	11	1
	L.03.05.L60007_0	14	1		B.07.01.L60007_1	5,3	1	58174608	A.03.03.L60008_0	8	2
58172105	D.02.01.L60008_0	32	5		B.07.01.L60007_2	5,3	1		A.03.03.L60008_1	8	2
58172106	D.02.01.L60008_0	31	5		B.07.01.L60007_3	5,3	1		A.03.03.L60008_2	8	2



## SPARE PARTS INSTANCE INDEX

Code	Parts Table	Pos.	Q.ty	Code	Parts Table	Pos.	Q.ty	Code	Parts Table	Pos.	Q.ty
58174608	A.03.03.L60008_3	8	2	58175187	L.03.04.L60007_0	28	3	58175773	A.01.05.L60008_1	23	1
	A.03.03.L60008_4	8	2		L.03.05.L60007_0	29	4		E.01.01.L60007_0	10	1
	A.03.05.L60008_0	8	2		M.02.01.L60007_0	33	2		E.01.01.L60008_1	10	1
	A.03.05.L60008_1	8	2		M.02.03.L60007_0	30	6		E.01.01.L60008_2	10	1
	A.03.05.L60008_2	8	2		M.02.04.L60007_0	30	2	58175783	S.01.01.L60007_0	44	2
	A.03.05.L60008_3	8	2	58175188	L.03.02.L60007_0	24	1	58175816	D.16.01.L60002_0	39	2
	A.03.05.L60008_4	8	2		L.03.03.L60007_0	24	1		D.16.01.L60007_0	39	2
58174710	F.03.01.L60007_0	22	2		L.03.04.L60007_0	23	1		D.16.01.L60007_1	39	2
58175007	F.01.01.L60007_0	1/2	1		L.03.05.L60007_0	26	1		D.16.01.L60007_2	39	2
58175014	F.01.01.L60007_0	10	2		M.02.01.L60007_0	31	1		D.16.01.L60007_3	39	2
58175086	S.01.01.L60007_0	14	2		M.02.03.L60007_0	28	1	58175818	D.16.01.L60002_0	40	2
58175121	A.01.02.L60008_0	33	1		M.02.04.L60007_0	28	1		D.16.01.L60007_0	40	2
	A.01.02.L60008_1	33	1	58175191	M.02.01.L60007_0	12	1		D.16.01.L60007_1	40	2
	A.01.02.L60008_2	32	1		M.02.03.L60007_0	10	1		D.16.01.L60007_2	40	2
	A.01.02.L60008_3	32	1		M.02.04.L60007_0	10	1		D.16.01.L60007_3	40	2
	A.01.05.L60008_0	33	1	58175211	L.03.01.L60007_0	24	1	58175837	D.16.01.L60002_0	16	1
	A.01.05.L60008_1	42	1		L.03.02.L60007_0	26	1		D.16.01.L60007_0	16	1
	S.01.01.L60007_0	51	1		L.03.03.L60007_0	26	1		D.16.01.L60007_1	16	1
	U.01.02.L60008_0	19	1		L.03.04.L60007_0	25	1		D.16.01.L60007_2	16	1
58175122	A.04.02.L60008_0	1.5	1		L.03.05.L60007_0	28	1		D.16.01.L60007_3	16	1
	A.04.02.L60008_1	1.5	1		M.02.01.L60007_0	32	1	58175838	D.16.01.L60002_0	17	1
	A.04.02.L60008_2	1.5	1		M.02.03.L60007_0	29	1		D.16.01.L60007_0	17	1
	A.04.05.L60008_0	1.5	1		M.02.04.L60007_0	29	1		D.16.01.L60007_1	17	1
	A.04.05.L60008_1	1.5	1	58175630	W.01.01.L60007_0	15.1	1		D.16.01.L60007_2	17	1
	E.01.01.L60007_0	9	1	58175700	B.07.01.L60007_0	4	1		D.16.01.L60007_3	17	1
	E.01.01.L60008_1	9	1		B.07.01.L60007_1	4	1	58175870	D.01.01.L60007_0	25	2
	E.01.01.L60008_2	9	1		B.07.01.L60007_2	4	1	58175965	W.01.01.L60007_0	1.2	1
58175162	B.07.01.L60007_0	27	1		B.07.01.L60007_3	4	1	58175966	W.01.01.L60007_0	15.2	1
	B.07.01.L60007_1	27	1	58175745	S.01.01.L60007_0	53	1	58176233	B.05.01.L60007_0	20	2
	B.07.01.L60007_2	27	1	58175773	A.01.02.L60008_0	21	1		B.08.01.L60007_0	38/1	2
	B.07.01.L60007_3	27	1		A.01.02.L60008_1	21	1	58176235	B.08.01.L60007_0	47	1
58175187	L.03.01.L60007_0	25	3		A.01.02.L60008_2	20	1		B.08.02.L60007_0	49	1
	L.03.02.L60007_0	27	2		A.01.02.L60008_3	20	1	58176236	D.14.01.L60007_0	22	2
	L.03.03.L60007_0	27	2		A.01.05.L60008_0	21	1		D.14.01.L60007_1	22	2

## SPARE PARTS INSTANCE INDEX

Code	Parts Table	Pos.	Q.ty	Code	Parts Table	Pos.	Q.ty	Code	Parts Table	Pos.	Q.ty
58176236	D.14.01.L60007_2	22	2	58176406	E.04.01.L60007_0	3	2	58176834	B.07.01.L60007_1	7	1
58176237	D.03.01.L60007_0	26	1	58176578	B.07.01.L60007_0	13	1		B.07.01.L60007_2	7	1
	D.03.01.L60008_2	26	1		B.07.01.L60007_1	13	1		B.07.01.L60007_3	7	1
58176238	D.03.02.L60007_0	18	1		B.07.01.L60007_2	13	1	58176853	B.07.01.L60007_0	8	1
	D.03.02.L60007_1	18	1		B.07.01.L60007_3	13	1		B.07.01.L60007_1	8	1
58176244	D.15.01.L60007_0	58	1	58176579	B.07.01.L60007_0	13.1	1		B.07.01.L60007_2	8	1
	D.15.01.L60007_1	58	1		B.07.01.L60007_1	13.1	1		B.07.01.L60007_3	8	1
	D.15.02.L60007_0	58	1		B.07.01.L60007_2	13.1	1	58176866	L.03.01.L60007_0	17	1
	D.15.02.L60007_1	58	1		B.07.01.L60007_3	13.1	1		L.03.05.L60007_0	36	1
58176267	D.03.01.L60007_0	22	1	58176580	B.07.01.L60007_0	5	1	58176867	L.03.01.L60007_0	18	1
	D.03.01.L60008_2	22	1		B.07.01.L60007_1	5	1		L.03.04.L60007_0	27	1
	D.14.01.L60007_0	8	4		B.07.01.L60007_2	5	1		L.03.05.L60007_0	34	1
	D.14.01.L60007_1	8	4		B.07.01.L60007_3	5	1	58176869	D.03.02.L60007_0	45	1
	D.14.01.L60007_2	8	4	58176581	B.07.01.L60007_0	5.2	1		D.03.02.L60007_1	45	1
58176268	D.03.01.L60007_0	6	3		B.07.01.L60007_1	5.2	1	58176872	L.03.01.L60007_0	1	1
	D.03.01.L60008_2	6	3		B.07.01.L60007_2	5.2	1		L.03.02.L60007_0	1	1
58176323	W.01.01.L60007_0	6.1	1		B.07.01.L60007_3	5.2	1		L.03.03.L60007_0	1	1
	W.01.02.L60007_0	6.1	4	58176593	B.07.01.L60007_0	22	1		L.03.04.L60007_0	1	1
58176324	W.01.01.L60007_0	6.2	1		B.07.01.L60007_1	22	1		L.03.05.L60007_0	1	1
	W.01.02.L60007_0	6.2	4		B.07.01.L60007_2	22	1	58176873	L.03.02.L60007_0	5	1
58176336	F.01.01.L60007_0	17	2		B.07.01.L60007_3	22	1		L.03.04.L60007_0	5	1
58176337	F.01.01.L60007_0	6	1	58176611	A.03.03.L60008_0	34	1		L.03.05.L60007_0	7	1
58176350	T.01.06.L60007_0	11	1	58176618	A.01.02.L60008_0	30	1	58176874	L.03.01.L60007_0	2	1
	T.01.08.L60007_0	14	1		A.01.02.L60008_1	30	1		L.03.02.L60007_0	3/1	1
	T.01.09.L60007_0	20	1		A.01.05.L60008_0	30	1		L.03.03.L60007_0	2	1
58176351	T.01.06.L60007_0	10	1	58176715	A.03.03.L60008_0	1	1		L.03.04.L60007_0	2	1
	T.01.08.L60007_0	25	1		A.03.05.L60008_0	1	1		L.03.05.L60007_0	2/1	1
	T.01.09.L60007_0	27	1	58176755	A.04.02.L60008_0	1	1		L.03.05.L60007_0	2/2	1
58176358	D.03.02.L60007_0	31	1		A.04.02.L60008_1	1	1		L.03.05.L60007_0	2/3	1
	D.03.02.L60007_1	31	1	58176826	B.07.01.L60007_0	6	1		L.03.05.L60007_0	3/5	1
58176394	E.03.01.L60007_0	4	2		B.07.01.L60007_1	6	1		L.03.05.L60007_0	5/1	1
58176395	E.03.01.L60007_0	5	2		B.07.01.L60007_2	6	1	58176875	L.03.02.L60007_0	2/1	1
58176396	E.04.01.L60007_0	4	2		B.07.01.L60007_3	6	1		L.03.05.L60007_0	4/4	1
58176406	E.03.01.L60007_0	2	2	58176834	B.07.01.L60007_0	7	1		L.03.05.L60007_0	5/2	1

## SPARE PARTS INSTANCE INDEX

Code	Parts Table	Pos.	Q.ty	Code	Parts Table	Pos.	Q.ty	Code	Parts Table	Pos.	Q.ty
58176875	L.03.05.L60007_0	5/5	1	58177087	B.07.01.L60007_2	9	1	58177330	B.05.51.L60007_0	21	2
58176876	L.03.01.L60007_0	3	2		B.07.01.L60007_3	9	1		E.04.01.L60007_0	2	2
	L.03.02.L60007_0	2/2	1	58177089	D.14.01.L60007_0	10	1	58177380	B.09.01.L60007_0	20	1
	L.03.04.L60007_0	3	2		D.14.01.L60007_1	10	1		B.09.02.L60007_0	20	1
	L.03.05.L60007_0	2/4	1		D.14.01.L60007_2	10	1		B.09.03.L60007_0	20	1
	L.03.05.L60007_0	2/5	1	58177111	A.02.01.L60007_0	18	2		B.09.04.L60007_0	20	1
	L.03.05.L60007_0	3/1	1		A.02.01.L60008_1	18	2		B.09.07.L60007_0	20	1
	L.03.05.L60007_0	3/2	1	58177142	B.07.01.L60007_0	10	1		B.09.08.L60007_0	20	1
	L.03.05.L60007_0	3/3	1		B.07.01.L60007_1	10	1	58177400	A.01.02.L60008_0	27	1
	L.03.05.L60007_0	3/4	1		B.07.01.L60007_2	10	1		A.01.02.L60008_1	27	1
	L.03.05.L60007_0	4/1	1		B.07.01.L60007_3	10	1		A.01.05.L60008_0	27	1
	L.03.05.L60007_0	4/2	1	58177143	B.07.01.L60007_0	11	1	58177424	B.07.01.L60007_0	43	1
	L.03.05.L60007_0	4/3	1		B.07.01.L60007_1	11	1		B.07.01.L60007_1	43	1
	L.03.05.L60007_0	4/5	1		B.07.01.L60007_2	11	1		B.07.01.L60007_2	43	1
58176877	L.03.02.L60007_0	3/3	1		B.07.01.L60007_3	11	1		B.07.01.L60007_3	43	1
	L.03.05.L60007_0	5/3	1	58177182	F.02.01.L60007_0	3		58177425	B.07.01.L60007_0	44	1
	L.03.05.L60007_0	5/4	1		F.02.01.L60008_1	3			B.07.01.L60007_1	44	1
58176891	L.02.01.L60007_0	12	1		F.02.02.L60007_0	3			B.07.01.L60007_2	44	1
	L.02.02.L60007_0	12	1		F.02.02.L60007_1	3			B.07.01.L60007_3	44	1
	L.02.07.L60007_0	11	1	58177194	A.03.05.L60008_0	34	1	58177426	B.07.01.L60007_0	42	1
	L.02.09.L60007_0	10	1	58177240	D.12.02.L60007_0	14	1		B.07.01.L60007_1	42	1
	M.02.03.L60007_0	2	1	58177266	B.07.01.L60007_0	12	1		B.07.01.L60007_2	42	1
	M.02.04.L60007_0	2	1		B.07.01.L60007_1	12	1		B.07.01.L60007_3	42	1
58176898	A.04.05.L60008_0	1	1		B.07.01.L60007_2	12	1	58177503	B.08.01.L60007_0	52	2
	A.04.05.L60008_1	1	1		B.07.01.L60007_3	12	1		B.08.02.L60007_0	54	2
58176938	L.03.01.L60007_0	4	3	58177268	B.07.01.L60007_0	12.1	2	58177537	L.02.08.L60007_0	49	4
	L.03.02.L60007_0	4	2		B.07.01.L60007_1	12.1	2	58177538	L.02.08.L60007_0	50	4
	L.03.03.L60007_0	4	2		B.07.01.L60007_2	12.1	2	58177539	L.02.08.L60007_0	51	4
	L.03.04.L60007_0	4	3		B.07.01.L60007_3	12.1	2	58177540	L.02.08.L60007_0	52	4
	L.03.05.L60007_0	6	4	58177274	B.01.01.L60007_0	3	1	58177547	B.08.01.L60007_0	41	1
58176969	D.12.02.L60007_0	30	1		B.02.01.L60007_0	18	1	58177604	B.07.01.L60007_2	49	1
58177033	D.14.01.L60007_0	45	1	58177306	L.03.03.L60007_0	3	1		B.07.01.L60007_3	49	1
58177087	B.07.01.L60007_0	9	1	58177330	B.05.01.L60007_0	23	2	58177642	D.15.01.L60007_0	36	1
	B.07.01.L60007_1	9	1		B.05.02.L60007_0	21	2		D.15.01.L60007_1	36	1



## SPARE PARTS INSTANCE INDEX

Code	Parts Table	Pos.	Q.ty	Code	Parts Table	Pos.	Q.ty	Code	Parts Table	Pos.	Q.ty
58177642	D.15.02.L60007_0	36	1	58177754	D.03.02.L60007_1	23	1	58177939	E.05.01.L60008_2	1	1
	D.15.02.L60007_1	36	1	58177756	Y.01.01.L60007_0	68	1	58177978	T.01.05.L60007_0	12/2	2
58177657	B.07.01.L60007_0	38	1	58177763	J.01.01.L60007_0	3.2	1		T.01.09.L60007_0	12/2	2
	B.07.01.L60007_1	38	1		J.01.01.L60007_1	3.2	1	58178571	W.01.01.L60007_0	20/1	1
	B.07.01.L60007_2	38	1		J.01.01.L60007_2	3.2	1	58178572	W.01.01.L60007_0	20/2	
	B.07.01.L60007_3	38	1		J.01.01.L60007_3	3.2	1	58178585	A.03.03.L60008_1	1	1
58177698	L.02.07.L60007_0	30	1		J.01.02.L60007_0	3.2	1		A.03.03.L60008_2	1	1
	L.02.08.L60007_0	23	1		J.01.02.L60007_1	3.2	1		A.03.03.L60008_3	1	1
	L.02.09.L60007_0	29	1	58177764	J.01.01.L60007_0	3.4	2		A.03.05.L60008_1	1	1
	L.02.10.L60007_0	22	1		J.01.01.L60007_1	3.4	2		A.03.05.L60008_2	1	1
	L.02.11.L60007_0	23	1		J.01.01.L60007_2	3.4	2		A.03.05.L60008_3	1	1
58177721	B.09.06.L60007_0	1	1		J.01.01.L60007_3	3.4	1	58178638	A.03.03.L60008_1	34	1
58177724	B.09.01.L60007_0	1	1		J.01.02.L60007_0	3.4	2		A.03.03.L60008_2	34	1
	B.09.07.L60007_0	1			J.01.02.L60007_1	3.4	2		A.03.03.L60008_3	12	1
58177725	B.09.04.L60007_0	1	1	58177765	J.02.01.L60007_0	1	1	58178639	A.03.05.L60008_1	34	1
58177726	B.09.02.L60007_0	1	1		L.02.08.L60007_0	37	1		A.03.05.L60008_2	34	1
	B.09.08.L60007_0	1	1		L.02.11.L60007_0	37	1		A.03.05.L60008_3	12	1
58177727	B.09.03.L60007_0	1	1	58177766	J.03.01.L60007_0	1	1	58178646	A.01.02.L60008_0	2	1
58177732	T.02.03.L60007_0	2.1	1		L.02.08.L60007_0	38	1		A.01.02.L60008_1	2	1
58177736	T.02.03.L60007_0	5	1		L.02.11.L60007_0	38	1		A.01.02.L60008_2	2	1
58177737	T.02.03.L60007_0	6	2	58177767	J.01.01.L60007_0	8	1		A.01.02.L60008_3	2	1
58177738	T.02.03.L60007_0	7	2	58177768	J.01.01.L60007_0	6	1	58178810	D.01.01.L60007_0	1	1
58177739	T.02.03.L60007_0	8	6	58177769	J.01.01.L60007_0	5	1		D.16.01.L60002_0	1	1
58177740	T.02.03.L60007_0	9	2	58177770	J.01.01.L60007_0	9	1		D.16.01.L60007_3	1	1
58177741	T.02.03.L60007_0	11	1	58177782	L.01.03.L60007_0	35	2	58178872	D.16.01.L60007_0	1	1
58177742	T.02.03.L60007_0	12	2	58177783	L.01.01.L60002_0	21	2		D.16.01.L60007_1	1	1
58177743	T.02.03.L60007_0	14	1		L.01.03.L60007_0	21	2		D.16.01.L60007_2	1	1
58177744	T.02.03.L60007_0	15	1	58177811	A.01.05.L60008_0	37	1	58178876	J.01.01.L60007_1	8	1
58177745	T.02.03.L60007_0	18	1		A.01.05.L60008_1	32	1	58178877	J.01.01.L60007_1	6	1
58177746	T.02.03.L60007_0	19	1		B.01.01.L60007_1	37	1		J.01.02.L60007_0	6	1
58177749	B.05.02.L60007_0	17	4	58177891	A.01.05.L60008_0	2	1	58178879	J.01.01.L60007_1	7	1
	B.05.51.L60007_0	17	4		A.01.05.L60008_1	36	1	58178880	J.01.01.L60007_1	9	1
	B.08.01.L60007_0	38/2	4	58177939	E.05.01.L60008_0	1	1	58178954	B.07.01.L60007_0	48	1
	B.08.02.L60007_0	38	2		E.05.01.L60008_1	1	1		B.07.01.L60007_1	48	1



## SPARE PARTS INSTANCE INDEX

Code	Parts Table	Pos.	Q.ty	Code	Parts Table	Pos.	Q.ty	Code	Parts Table	Pos.	Q.ty
58178954	B.07.01.L60007_2	48	1	58179463	F.02.02.L60007_0	1		58192680	D.14.01.L60007_1	27	1
	B.07.01.L60007_3	48	1		F.02.02.L60007_1	1			D.14.01.L60007_2	27	1
	F.03.01.L60007_0	1	1		F.03.01.L60007_0	24	1	581A0128	B.07.01.L60007_2	52.1	1
58178958	B.07.01.L60007_0	52	1	58179483	L.01.01.L60002_0	11	1		B.07.01.L60007_3	52.2	1
	B.07.01.L60007_1	52	1		L.01.01.L60007_0	11	1	581A0129	B.07.01.L60007_2	52.2	1
	B.07.01.L60007_2	55	1		L.01.03.L60007_0	11	1		B.07.01.L60007_3	52.1	1
	B.07.01.L60007_3	56	1		M.01.01.L60007_0	12	1	581A0174	G.01.02.L60008_0	1.1	1
58179013	B.06.01.L60007_1	7	2	58179508	J.01.01.L60007_2	5	1		G.01.02.L60008_1	1.1	1
	B.06.02.L60008_1	7	2		J.01.01.L60007_3	5	1		G.01.02.L60008_2	1.1	1
58179245	J.04.01.L60007_0	1	6		J.01.02.L60007_1	5	1	581A0613	W.01.02.L60007_0	9/1	4
58179246	J.05.01.L60007_0	1	1	58179546	L.02.07.L60007_0	39	1	581A0614	W.01.02.L60007_0	9/2	4
58179247	J.01.02.L60007_0	8	1		L.02.08.L60007_0	24	1	581A0689	J.01.01.L60007_0	16	1
58179248	J.01.01.L60007_1	5	1		L.02.09.L60007_0	38	1		J.01.01.L60007_1	16	1
58179249	J.01.02.L60007_0	5	1		L.02.10.L60007_0	21	1		J.01.01.L60007_2	14	1
58179250	J.01.02.L60007_0	7	1		L.02.11.L60007_0	24	1		J.01.01.L60007_3	14	1
58179258	J.01.02.L60007_0	9	1	58179618	A.04.02.L60008_2	1	1		J.01.02.L60007_0	16	1
58179271	B.07.01.L60007_0	50	1	58179623	A.01.02.L60008_2	29	1		J.01.02.L60007_1	14	1
	B.07.01.L60007_1	50	1		A.01.02.L60008_3	29	1	581A0739	B.07.01.L60007_2	51	1
58179276	E.01.01.L60007_0	14	1		A.01.05.L60008_1	39	1		B.07.01.L60007_3	51	1
	E.01.01.L60008_1	14	1	58179904	J.01.01.L60007_2	6	1	581A1060	B.06.01.L60007_1	12	1
	E.01.01.L60008_2	14	1		J.01.01.L60007_3	6	1		B.06.02.L60008_1	11	1
58179302	J.01.01.L60007_1	19	1	58179905	J.01.01.L60007_2	7	1		B.06.02.L60008_2	13	1
	J.01.02.L60007_0	19	1		J.01.01.L60007_3	7	1	581A2363	A.03.03.L60008_4	1	1
58179303	J.01.01.L60007_1	20	1	58179939	J.01.02.L60007_1	6	1		A.03.05.L60008_4	1	1
	J.01.02.L60007_0	20	1	58179940	J.01.02.L60007_1	7	1	581A2710	D.02.01.L60008_0	2	1
58179304	J.01.01.L60007_1	21	1	58192377	B.09.01.L60007_0	16	1	581A3048	B.02.01.L60008_2	37	4
	J.01.02.L60007_0	21	1		B.09.02.L60007_0	16	1		B.03.01.L60008_0	28	8
58179337	J.01.01.L60007_2	5.1	1		B.09.03.L60007_0	16	1	59070012	C.01.01.L60007_0	14	1
	J.01.01.L60007_3	5.1	1		B.09.04.L60007_0	16	1	59070065	D.01.01.L60007_0	22	1
58179399	C.03.01.L60007_0	24	4		B.09.05.L60007_0	3	1		D.09.01.L60007_0	9	1
	D.13.03.L60007_0	19	4		B.09.06.L60007_0	16	1	59070094	D.10.01.L60007_0	13	2
58179463	F.01.01.L60007_0	1/1	1		B.09.07.L60007_0	16	1	59070225	C.01.01.L60007_0	31	1
	F.02.01.L60007_0	1			B.09.08.L60007_0	16	1	59070289	L.01.01.L60002_0	18	1
	F.02.01.L60008_1	1		58192680	D.14.01.L60007_0	27	1		L.01.01.L60007_0	18	1

## SPARE PARTS INSTANCE INDEX

Code	Parts Table	Pos.	Q.ty	Code	Parts Table	Pos.	Q.ty	Code	Parts Table	Pos.	Q.ty
59070289	M.01.01.L60007_0	28	1	59075283	B.01.01.L60007_1	29	1	59076154	D.03.02.L60007_1	8	1
59070290	L.01.01.L60002_0	19	1		B.01.02.L60002_2	33	1	59076211	F.01.01.L60007_0	3	1
	L.01.01.L60007_0	19	1	59075572	D.12.02.L60007_0	24	1	59076212	F.01.01.L60007_0	7	2
	M.01.01.L60007_0	29	1	59075636	S.01.01.L60007_0	46	1	59076213	F.01.01.L60007_0	9	1
59070591	B.03.01.L60007_0	22	1	59075639	S.01.01.L60007_0	22	1	59076215	D.11.01.L60007_0	18	1
	B.03.01.L60008_0	22	1	59075789	T.01.01.L60007_0	5	1		D.11.01.L60007_1	18	1
59070592	B.05.01.L60007_0	17	1		T.01.02.L60007_0	8	1		D.15.01.L60007_0	25	1
	B.05.02.L60007_0	15	1		T.01.06.L60007_0	5	1		D.15.01.L60007_1	25	1
	B.05.51.L60007_0	15	1		T.01.08.L60007_0	8	1		D.15.02.L60007_0	25	1
59070702	T.02.01.L60007_0	1	1	59075790	T.01.01.L60007_0	6	1		D.15.02.L60007_1	25	1
59071171	C.01.01.L60007_0	34	2		T.01.02.L60007_0	9	1	59076216	D.15.01.L60007_0	51	1
	F.03.01.L60007_0	27	2		T.01.06.L60007_0	6	1		D.15.01.L60007_1	51	1
59071241	B.08.01.L60007_0	30	1		T.01.08.L60007_0	9	1		D.15.02.L60007_0	51	1
	B.08.02.L60007_0	30	1	59075907	D.07.01.L60007_0	2	1		D.15.02.L60007_1	51	1
	B.09.01.L60007_0	14	1	59075908	D.07.01.L60007_0	3	1	59076217	D.15.01.L60007_0	47	1
	B.09.03.L60007_0	14	1		D.07.01.L60007_1	3	2		D.15.01.L60007_1	47	1
	B.09.06.L60007_0	14	1	59075909	D.07.01.L60007_0	4	1		D.15.02.L60007_0	47	1
	B.09.07.L60007_0	14	1		D.07.01.L60007_1	4	1		D.15.02.L60007_1	47	1
59073184	A.04.05.L60008_0	7	1	59076071	S.01.01.L60007_0	2	2	59076218	D.15.01.L60007_0	30	1
	A.04.05.L60008_1	7	1	59076100	T.01.05.L60007_0	8	2		D.15.01.L60007_1	30	1
59074623	D.03.02.L60007_0	47	1		T.01.09.L60007_0	8	2		D.15.02.L60007_0	30	1
	D.03.02.L60007_1	47	1	59076132V	B.08.01.L60007_0	29/1	1		D.15.02.L60007_1	30	1
59074662	B.02.01.L60007_0	25	2		B.08.02.L60007_0	29/1	1	59076219	D.15.01.L60007_0	53	1
	B.02.01.L60008_1	15	6	59076139	B.08.01.L60007_0	19	1		D.15.01.L60007_1	53	1
59074993	D.12.01.L60007_0	63	1		B.08.02.L60007_0	19	1		D.15.02.L60007_0	53	1
	D.12.01.L60007_1	63	1	59076140	F.03.01.L60007_0	15	1		D.15.02.L60007_1	53	1
59075012	T.02.02.L60007_0	1.1	1	59076143	B.04.01.L60007_0	24	1	59076261	L.03.01.L60007_0	10	2
59075088	S.01.01.L60007_0	15	2		B.04.02.L60007_0	19	1		L.03.02.L60007_0	15.1	1
59075095	S.01.01.L60007_0	6	1	59076144	B.04.01.L60007_0	25	1		L.03.03.L60007_0	16	1
59075102	S.01.01.L60007_0	5	1		B.04.02.L60007_0	20	1		L.03.04.L60007_0	14	2
59075107	S.01.01.L60007_0	43	2	59076148	B.05.01.L60007_0	22	1		L.03.05.L60007_0	17/1	3
59075115	S.01.01.L60007_0	1	1		B.05.02.L60007_0	20	1	59076262	L.03.01.L60007_0	11	1
59075140	M.01.01.L60007_0	55	1		B.05.51.L60007_0	20	1		L.03.02.L60007_0	16	1
59075283	B.01.01.L60007_0	27	1	59076154	D.03.02.L60007_0	8	1		L.03.03.L60007_0	15	1

## SPARE PARTS INSTANCE INDEX

Code	Parts Table	Pos.	Q.ty	Code	Parts Table	Pos.	Q.ty	Code	Parts Table	Pos.	Q.ty
59076262	L.03.04.L60007_0	15	1	59076501	C.01.01.L60007_0	53	1	59076649V	B.03.01.L60007_0	1	1
	L.03.05.L60007_0	18	1		D.11.01.L60007_0	16	1		B.03.51.L60007_0	1	1
59076263	L.03.01.L60007_0	13	1		D.11.01.L60007_1	16	1	59076653V	B.03.01.L60007_0	2	1
	L.03.02.L60007_0	18	1		D.13.01.L60007_0	20	1		B.03.51.L60007_0	2	1
	L.03.03.L60007_0	19	1		D.15.02.L60007_0	66	1	59076679	A.05.01.L60007_0	23	1
	L.03.04.L60007_0	17	2		D.15.02.L60007_1	66	1	59076682	A.01.02.L60008_1	36	1
	L.03.05.L60007_0	20	3	59076502	D.03.02.L60007_0	32	1		A.01.05.L60008_0	35	1
59076264	L.03.01.L60007_0	12	2		D.03.02.L60007_1	32	1	59076684	A.03.03.L60008_0	13	1
	L.03.02.L60007_0	19	1	59076503	C.01.01.L60007_0	51	1		A.03.03.L60008_1	13	1
	L.03.03.L60007_0	18	1		D.13.01.L60007_0	15	1		A.03.03.L60008_2	13	1
	L.03.04.L60007_0	18	1	59076504	C.03.01.L60007_0	22	1		A.03.05.L60008_0	13	1
	L.03.05.L60007_0	21	1		D.03.02.L60007_0	44	1		A.03.05.L60008_1	13	1
59076415	D.15.01.L60007_0	42	1		D.03.02.L60007_1	44	1		A.03.05.L60008_2	13	1
	D.15.01.L60007_1	42	1		D.13.03.L60007_0	9	1	59076685	A.05.01.L60007_0	12	1
	D.15.02.L60007_0	42	1	59076505	C.03.01.L60007_0	21	1	59076686	A.05.01.L60007_0	26	1
	D.15.02.L60007_1	42	1		D.03.02.L60007_0	41	1		B.02.01.L60007_0	11	1
59076467	B.08.01.L60007_0	1	1		D.03.02.L60007_1	41	1		B.02.01.L60008_1	6	1
	B.08.02.L60007_0	1	1		D.13.03.L60007_0	8	1	59076688	A.01.02.L60008_0	16	1
59076468V	B.08.01.L60007_0	14	1	59076506	D.14.01.L60007_0	24	1		A.01.02.L60008_1	16	1
	B.08.02.L60007_0	14	1		D.14.01.L60007_1	24	1		A.01.05.L60008_0	16	1
59076469V	B.08.01.L60007_0	15	1		D.14.01.L60007_2	24	1	59076690	B.03.01.L60007_0	17	2
	B.08.02.L60007_0	15	1	59076613	B.03.01.L60007_0	14	1		B.03.01.L60008_0	17	2
59076470V	B.08.01.L60007_0	16	1		B.03.01.L60008_0	14	1	59076749	G.01.02.L60008_0	4	1
	B.08.02.L60007_0	16	1	59076615	B.03.01.L60007_0	13	1		G.01.02.L60008_1	4	1
59076471V	B.08.01.L60007_0	17/1	1		B.03.01.L60008_0	13	1		G.01.02.L60008_2	4	1
59076473V	B.04.01.L60007_0	1	1	59076619	A.01.02.L60008_0	32	1	59076756	B.01.01.L60007_0	20	1
59076474V	B.04.01.L60007_0	2	1		A.01.02.L60008_1	32	1	59076780	B.05.01.L60007_0	14	1
59076476V	B.05.01.L60007_0	21	1		A.01.05.L60008_0	32	1		B.05.02.L60007_0	12	1
	B.05.51.L60007_0	19	1	59076633V	B.05.01.L60007_0	3	1		B.05.51.L60007_0	12	1
59076480V	B.04.02.L60007_0	1	1		B.05.02.L60007_0	1	1	59076804	B.03.02.L60007_0	14	1
59076481V	B.04.02.L60007_0	2	1		B.05.51.L60007_0	1	1	59076805V	B.03.02.L60007_0	1	1
59076482V	B.05.02.L60007_0	19	1	59076637V	B.05.01.L60007_0	4	1	59076809V	B.03.02.L60007_0	2	1
59076499	L.03.02.L60007_0	15.2	1		B.05.02.L60007_0	2	1	59076813	B.03.02.L60007_0	15	1
	L.03.05.L60007_0	17/2	1		B.05.51.L60007_0	2	1	59076861	B.05.01.L60007_0	18	1

## SPARE PARTS INSTANCE INDEX

Code	Parts Table	Pos.	Q.ty	Code	Parts Table	Pos.	Q.ty	Code	Parts Table	Pos.	Q.ty
59076870	A.05.01.L60007_0	16	1	59077057	B.03.51.L60007_0	13	1	59077322	D.13.03.L60007_0	21	1
59076878	D.15.01.L60007_0	11	1	59077058	B.03.51.L60007_0	14	1	59077368	G.02.01.L60007_0	13	2
	D.15.01.L60007_1	11	1	59077063	M.01.01.L60007_0	60	1	59077371	G.02.01.L60007_0	7	2
	D.15.02.L60007_0	11	1	59077101	A.02.01.L60007_0	8	2	59077382	T.01.05.L60007_0	13	1
	D.15.02.L60007_1	11	1		A.02.01.L60008_1	8	2		T.01.09.L60007_0	13	1
59076881	D.15.01.L60007_0	1	1	59077107	A.02.01.L60007_0	6	2	59077383	T.01.05.L60007_0	14	1
	D.15.01.L60007_1	1	1		A.02.01.L60008_1	6	2		T.01.09.L60007_0	14	1
	D.15.02.L60007_0	1	1	59077160	T.04.01.L60007_0	8	1	59077384V	B.08.01.L60007_0	17/2	1
	D.15.02.L60007_1	1	1	59077180	T.04.01.L60007_0	12	1		B.08.02.L60007_0	17/2	1
59076884	D.15.01.L60007_0	14	1	59077242	E.02.01.L60007_0	11	1	59077402V	B.08.01.L60007_0	29/2	1
	D.15.01.L60007_1	14	1		E.02.01.L60007_1	11	1		B.08.02.L60007_0	29/2	1
	D.15.02.L60007_0	14	1	59077245	B.04.01.L60007_0	6	1	59077410	B.08.01.L60007_0	2	1
	D.15.02.L60007_1	14	1		B.04.02.L60007_0	6	1		B.08.02.L60007_0	2	1
59076934	L.02.07.L60007_0	41	1	59077248V	B.08.02.L60007_0	17/1	1	59077412	B.03.01.L60007_0	16	1
	L.02.09.L60007_0	40	1	59077296	L.02.07.L60007_0	35	1		B.03.01.L60008_0	16	1
	L.02.10.L60007_0	19	1		L.02.09.L60007_0	34	1	59077441	J.01.01.L60007_0	11	1
59076990	D.03.01.L60007_0	19	1		L.02.10.L60007_0	27	1	59077469	S.01.01.L60007_0	12	1
	D.03.01.L60008_2	19	1	59077297	L.02.07.L60007_0	31	1	59077470	S.01.01.L60007_0	13	1
59077001	D.14.01.L60007_0	1	1		L.02.09.L60007_0	30	1	59077478	S.01.01.L60007_0	25	1
	D.14.01.L60007_1	1	1		L.02.10.L60007_0	28	1	59077479	S.01.01.L60007_0	26	1
59077002	D.14.01.L60007_0	2	1	59077299	L.02.07.L60007_0	29	1	59077480	A.01.02.L60008_0	36	1
	D.14.01.L60007_1	2	1		L.02.09.L60007_0	28	1	59077490	L.02.02.L60007_0	41	1
59077017	B.07.01.L60007_0	32	1		L.02.10.L60007_0	31	1		L.02.03.L60007_0	38	1
	B.07.01.L60007_1	32	1	59077318	A.01.02.L60008_0	12	1		L.02.07.L60007_0	12	1
	B.07.01.L60007_2	32	1		A.01.02.L60008_1	12	1		L.02.09.L60007_0	11	1
	B.07.01.L60007_3	32	1		A.01.02.L60008_2	11	1		L.02.10.L60007_0	15	1
59077035	D.03.01.L60007_0	21	1		A.01.02.L60008_3	11	1		M.02.01.L60007_0	6	1
	D.03.01.L60008_2	21	1		A.01.05.L60008_0	12	1		M.02.03.L60007_0	4	1
59077037	D.03.01.L60007_0	7	1		A.01.05.L60008_1	8	1		M.02.04.L60007_0	4	1
	D.03.01.L60008_2	7	1	59077319	C.01.01.L60007_0	52	1	59077491	L.02.02.L60007_0	42	1
59077041	D.03.01.L60007_0	23	1		D.13.01.L60007_0	18	1		L.02.03.L60007_0	39	1
	D.03.01.L60008_2	23	1	59077321	C.03.01.L60007_0	25	1		L.02.07.L60007_0	13	1
59077042	D.03.02.L60007_0	6	1		D.13.03.L60007_0	20	1		L.02.09.L60007_0	12	1
	D.03.02.L60007_1	6	1	59077322	C.03.01.L60007_0	26	1		L.02.10.L60007_0	16	1



## SPARE PARTS INSTANCE INDEX

Code	Parts Table	Pos.	Q.ty	Code	Parts Table	Pos.	Q.ty	Code	Parts Table	Pos.	Q.ty
59077491	M.02.01.L60007_0	7	1	59077552	L.02.08.L60007_0	34	1	59077801	L.01.03.L60007_0	34	1
	M.02.03.L60007_0	5	1		L.02.11.L60007_0	34	1	59077870	L.02.08.L60007_0	39	1
	M.02.04.L60007_0	5	1	59077553	L.02.08.L60007_0	6	1		L.02.11.L60007_0	39	1
59077492	L.02.02.L60007_0	43	1		L.02.11.L60007_0	6	1	59077927	L.02.02.L60007_0	8	1
	L.02.03.L60007_0	40	1	59077554	L.02.08.L60007_0	9	1		L.02.03.L60007_0	8	1
	L.02.07.L60007_0	14	1		L.02.11.L60007_0	9	1		L.02.10.L60007_0	33	1
	L.02.09.L60007_0	13	1	59077557	L.02.08.L60007_0	10	1		M.02.01.L60007_0	29	1
	L.02.10.L60007_0	17	1		L.02.11.L60007_0	10	1		M.02.03.L60007_0	23	1
	M.02.01.L60007_0	8	1	59077559	L.02.08.L60007_0	11	1		M.02.04.L60007_0	23	1
	M.02.03.L60007_0	6	1		L.02.11.L60007_0	11	1	59077933	A.05.01.L60007_0	13	1
	M.02.04.L60007_0	6	1	59077560	L.02.08.L60007_0	12	1	59077935	A.05.01.L60007_0	17	1
59077493	M.02.03.L60007_0	3	1		L.02.11.L60007_0	12	1	59077943	F.02.02.L60007_0	6	
	M.02.04.L60007_0	3	1	59077561	L.02.08.L60007_0	13	1		F.02.02.L60007_1	6	
59077494	M.02.03.L60007_0	25	1		L.02.11.L60007_0	13	1	59077945	E.05.01.L60008_0	2	1
	M.02.04.L60007_0	25	1	59077562	L.02.08.L60007_0	14	1		E.05.01.L60008_1	2	1
59077495	M.02.03.L60007_0	26	1		L.02.11.L60007_0	14	1		E.05.01.L60008_2	2	1
	M.02.04.L60007_0	26	1	59077563	L.02.08.L60007_0	15	1		F.02.02.L60007_1	19	1
59077496	M.02.03.L60007_0	27	1		L.02.11.L60007_0	15	1	59077947	F.02.02.L60007_0	4	
	M.02.04.L60007_0	27	1	59077565	L.02.08.L60007_0	16	1		F.02.02.L60007_1	4	
59077497	L.02.07.L60007_0	15	1		L.02.11.L60007_0	16	1	59077952	F.02.02.L60007_0	5	
	L.02.09.L60007_0	14	1	59077567	L.02.08.L60007_0	17	1		F.02.02.L60007_1	5	
59077498	L.02.07.L60007_0	16	1		L.02.11.L60007_0	17	1	59078501	D.14.01.L60007_2	1	1
	L.02.09.L60007_0	15	1	59077569	L.02.08.L60007_0	18	1	59078502	D.14.01.L60007_2	2	1
59077500	L.02.09.L60007_0	41	1		L.02.11.L60007_0	18	1	59078588	L.01.01.L60002_0	32	1
59077501	L.02.01.L60007_0	11	1		L.02.11.L60007_0	19	1		L.01.01.L60007_0	32	1
	L.02.02.L60007_0	11	1	59077571	L.02.08.L60007_0	19	1		L.01.03.L60007_0	32	1
59077502	L.02.07.L60007_0	10	1		L.02.11.L60007_0	19	1	59078596	C.01.01.L60007_0	55	1
	L.02.09.L60007_0	9	1	59077708	D.03.02.L60007_0	24	1		D.13.01.L60007_0	19	1
59077505	F.01.01.L60007_0	27	1	59077747	B.08.01.L60007_0	40	1	59078624	D.07.01.L60007_1	2	1
	S.01.01.L60007_0	48	1		B.08.02.L60007_0	42	1	59078833	J.01.01.L60007_1	11	1
59077532	L.02.08.L60007_0	31	1	59077752	B.08.01.L60007_0	51	1		J.01.01.L60007_2	9	1
	L.02.11.L60007_0	31	1		B.08.02.L60007_0	53	1		J.01.01.L60007_3	9	1
59077551	L.02.08.L60007_0	5	1	59077791	L.01.03.L60007_0	18	1		J.01.02.L60007_0	11	1
	L.02.11.L60007_0	5	1	59077794	L.01.03.L60007_0	19	1		J.01.02.L60007_1	9	1
				59077796	L.01.03.L60007_0	27	1				

## SPARE PARTS INSTANCE INDEX

Code	Parts Table	Pos.	Q.ty	Code	Parts Table	Pos.	Q.ty	Code	Parts Table	Pos.	Q.ty
59078865	D.12.02.L60007_0	25/1	1	59079273	U.01.02.L60008_0	3	1	59079478	F.02.02.L60007_1	17	
59078868	D.12.02.L60007_0	25/2	1	59079283	U.01.02.L60008_0	5	1	59079485	L.01.01.L60002_0	12	1
59078925	M.02.01.L60007_0	18	1	59079306	U.01.02.L60008_0	4	1		L.01.01.L60007_0	12	1
	M.02.03.L60007_0	16	1	59079312	U.01.02.L60008_0	2	1		L.01.03.L60007_0	12	1
	M.02.04.L60007_0	16	1	59079355	M.02.01.L60007_0	14	1		M.01.01.L60007_0	13	1
59079167	A.01.02.L60008_0	6	1		M.02.03.L60007_0	12	1	59079617	B.01.01.L60007_1	20	1
	A.01.02.L60008_1	6	1		M.02.04.L60007_0	12	1	59079624	A.01.02.L60008_2	35	1
	A.01.02.L60008_2	5	1	59079356	L.02.02.L60007_0	48	1		A.01.02.L60008_3	35	1
	A.01.02.L60008_3	5	1		L.02.03.L60007_0	45	1		A.01.05.L60008_1	25	1
	A.01.05.L60008_0	6	1	59079357	M.02.01.L60007_0	17	1	59079626	A.03.03.L60008_3	13	1
	A.01.05.L60008_1	2	1	59079358	M.02.03.L60007_0	15	1		A.03.03.L60008_4	13	1
59079190	L.02.01.L60007_0	15	1		M.02.04.L60007_0	15	1		A.03.05.L60008_3	13	1
	L.02.02.L60007_0	13	1	59079359	L.02.02.L60007_0	47	1		A.03.05.L60008_4	13	1
	L.02.03.L60007_0	11	1		L.02.03.L60007_0	44	1	59079635	A.01.02.L60008_2	31	1
59079191	L.02.01.L60007_0	16	1		L.02.10.L60007_0	34	1		A.01.02.L60008_3	31	1
	L.02.02.L60007_0	14	1		M.02.01.L60007_0	30	1		A.01.05.L60008_1	43	1
	L.02.03.L60007_0	12	1		M.02.03.L60007_0	24	1	59079653	S.01.01.L60007_0	52	1
59079192	L.02.01.L60007_0	17	1		M.02.04.L60007_0	24	1	59079785	A.03.03.L60008_3	7	1
	L.02.02.L60007_0	15	1	59079360	T.01.01.L60007_0	12	1		A.03.03.L60008_4	7	1
	L.02.03.L60007_0	13	1		T.01.02.L60007_0	15	1		A.03.05.L60008_3	7	1
59079193	L.02.01.L60007_0	18	1		T.01.05.L60007_0	12	1		A.03.05.L60008_4	7	1
	L.02.02.L60007_0	16	1		T.01.06.L60007_0	12	1	590A0389	A.03.03.L60008_3	36	1
	L.02.03.L60007_0	14	1		T.01.08.L60007_0	15	1		A.03.03.L60008_4	36	1
59079194	L.02.03.L60007_0	46	1		T.01.09.L60007_0	12	1		A.03.05.L60008_3	36	1
	L.02.10.L60007_0	14	1	59079371	L.02.07.L60007_0	38	1		A.03.05.L60008_4	36	1
	M.02.01.L60007_0	5	1		L.02.09.L60007_0	37	1	590A0741	T.01.05.L60007_0	2	1
	M.02.04.L60007_0	33	1		L.02.10.L60007_0	30	1		T.01.09.L60007_0	2	1
59079195	L.02.01.L60007_0	8	1	59079373	L.02.07.L60007_0	26	1	590A0743	T.01.05.L60007_0	3	1
59079196	L.02.01.L60007_0	10	1		L.02.09.L60007_0	25	1		T.01.09.L60007_0	3	1
	L.02.02.L60007_0	10	1	59079375	L.02.07.L60007_0	27	1	590A0773	M.01.01.L60007_0	19	1
	L.02.03.L60007_0	10	1		L.02.09.L60007_0	26	1	590A0851	A.03.03.L60008_3	39	1
59079199	L.02.01.L60007_0	23	1	59079389	D.03.02.L60007_1	52	1		A.03.03.L60008_4	39	1
	L.02.02.L60007_0	21	1	59079478	F.02.01.L60007_0	18			A.03.05.L60008_3	39	1
	L.02.03.L60007_0	19	1		F.02.01.L60008_1	16			A.03.05.L60008_4	39	1



## SPARE PARTS INSTANCE INDEX

Code	Parts Table	Pos.	Q.ty	Code	Parts Table	Pos.	Q.ty	Code	Parts Table	Pos.	Q.ty
590A0866	A.01.02.L60008_2	15	1	59277414	W.01.01.L60007_0	23/2	4	59900020	Y.01.05.L60007_0	67	4
	A.01.02.L60008_3	15	1	59277415	W.01.01.L60007_0	23/1	4	59900023	Y.01.05.L60007_0	74	0.52
	A.01.05.L60008_1	12	1	59277762	J.01.01.L60007_0	3	1	59900026	Y.01.01.L60007_0	12	2
590A0992	F.01.01.L60007_0	18	1	59278554	D.02.01.L60008_0	36	1	59900027	Y.01.01.L60007_0	13	2
590A0993	F.01.01.L60007_0	19	1	59278555	D.02.01.L60008_0	37	1	59900028	Y.01.01.L60007_0	14	2
590A1339	F.01.01.L60007_0	4/1	1	59278875	J.01.01.L60007_1	3	1	59900030	Y.01.01.L60007_0	18	2
590A1340	F.01.01.L60007_0	4/2	1	59279244	J.01.02.L60007_0	3	1	59900031	Y.01.01.L60007_0	59	2
590A1439V	B.02.01.L60008_1	1	1	59279906	J.01.01.L60007_2	3	1	59900034	Y.01.01.L60007_0	11	2
590A1970V	B.03.01.L60008_0	1	1	59279938	J.01.02.L60007_1	3	1	59900035	Y.01.01.L60007_0	25	4
590A1971V	B.03.01.L60008_0	2	1	592A0344	W.01.01.L60007_0	15/1	1	59900037	Y.01.01.L60007_0	26	6
590A2432V	B.02.01.L60008_2	24	1	592A0345	W.01.01.L60007_0	15/2	1		Y.01.02.L60007_0	29	1
590A2436V	B.02.01.L60008_2	23	1	592A1041	J.01.01.L60007_3	3	1		Y.01.03.L60007_0	20	1
590A2842V	B.02.01.L60008_2	1	1	59375009	T.02.02.L60007_0	1	1	59900046	Y.01.01.L60007_0	39	1
590A3014	B.01.02.L60002_2	21	1	59375116	S.01.01.L60007_0	16	2	59900047	Y.01.01.L60007_0	38	1
59270304	W.01.01.L60007_0	1/1	1	59375869	D.11.01.L60007_0	13	1	59900051	Y.01.05.L60007_0	10	2
59271011	D.15.01.L60007_0	60	1		D.11.01.L60007_1	13	1	59900052	Y.01.05.L60007_0	11	2
	D.15.01.L60007_1	60	1	59376016	D.09.01.L60007_0	1	1	59900053	Y.01.05.L60007_0	14	3
	D.15.02.L60007_0	60	1		D.16.01.L60002_0	25	1	59900054	Y.01.05.L60007_0	12	1
	D.15.02.L60007_1	60	1		D.16.01.L60007_0	25	1	59900057	Y.01.05.L60007_0	3	1
59273925	W.01.01.L60007_0	1/2	4		D.16.01.L60007_1	25	1	59900058	Y.01.05.L60007_0	2	1
59276076	D.12.01.L60007_0	47	1		D.16.01.L60007_2	25	1	59900068	Y.01.05.L60007_0	59	1
	D.12.01.L60007_1	47	1		D.16.01.L60007_3	25	1	59900069	Y.01.05.L60007_0	63	9.8
59276320	W.01.01.L60007_0	6/1	1	59376019	D.01.01.L60007_0	12	1	59900070	Y.01.05.L60007_0	62	1
59276321	W.01.01.L60007_0	6/2	1	59377433	D.12.01.L60007_0	56	1	59900071	Y.01.05.L60007_0	64	10
59276964	W.01.01.L60007_0	10/2	1		D.12.01.L60007_1	56	1	59900074	Y.01.02.L60007_0	6	12
	W.01.02.L60007_0	6/2	4	59377730	T.02.03.L60007_0	2	1		Y.01.03.L60007_0	15	5
59276965	W.01.01.L60007_0	10/1	1	59377734	T.02.03.L60007_0	1	1		Y.01.04.L60007_0	17	4
	W.01.02.L60007_0	6/1	4	59900006	Y.01.01.L60007_0	21	2		Y.01.06.L60007_0	13	10
59277315	G.01.02.L60008_0	1/1	1	59900009	Y.01.01.L60007_0	52	1	59900075	Y.01.01.L60007_0	10	1
	G.01.02.L60008_1	1/1	1	59900010	Y.01.01.L60007_0	51	1		Y.01.06.L60007_0	31	4
	G.01.02.L60008_2	1/1	1	59900011	Y.01.01.L60007_0	53	1	59900093	Y.01.03.L60007_0	3	1
59277388	G.01.02.L60008_0	2/2	1	59900013	Y.01.01.L60007_0	47	2	59900094	Y.01.02.L60007_0	20	2
	G.01.02.L60008_1	2/1	1	59900018	Y.01.05.L60007_0	65	2		Y.01.03.L60007_0	40	1
	G.01.02.L60008_2	2/1	1	59900019	Y.01.05.L60007_0	66	2	59900101	Y.01.03.L60007_0	34	2

## SPARE PARTS INSTANCE INDEX

Code	Parts Table	Pos.	Q.ty	Code	Parts Table	Pos.	Q.ty	Code	Parts Table	Pos.	Q.ty	
59900102	Y.01.02.L60007_0	8	4	59900152	B.09.08.L60007_0	14	1	59900159	B.09.06.L60007_0	4	1	
	Y.01.03.L60007_0	16	4		59900153	B.09.01.L60007_0	8		1	B.09.07.L60007_0	4	1
	Y.01.04.L60007_0	19	3			B.09.03.L60007_0	8		1	59900160	B.09.01.L60007_0	11
59900103	Y.01.02.L60007_0	7	6	B.09.06.L60007_0		8	1	B.09.02.L60007_0	17	1		
59900106	Y.01.03.L60007_0	42	1	59900154	B.09.07.L60007_0	8	1	B.09.03.L60007_0	11	1		
	Y.01.01.L60007_0	9	6		B.09.01.L60007_0	7	4	B.09.04.L60007_0	17	1		
	Y.01.02.L60007_0	15	4		B.09.03.L60007_0	7	4	B.09.05.L60007_0	4	1		
59900107	Y.01.03.L60007_0	35	2	59900155	B.09.06.L60007_0	7	4	B.09.06.L60007_0	11	1		
	Y.01.04.L60007_0	15	2		B.09.07.L60007_0	7	4	B.09.07.L60007_0	11	1		
	59900108	Y.01.02.L60007_0	34		1	B.09.01.L60007_0	6	1	B.09.08.L60007_0	17	1	
59900109	Y.01.03.L60007_0	10	1	59900156	B.09.03.L60007_0	6	1	59900161	B.09.01.L60007_0	12	1	
	Y.01.01.L60007_0	44	2		B.09.06.L60007_0	6	1	B.09.02.L60007_0	18	1		
	Y.01.02.L60007_0	24	2		B.09.07.L60007_0	6	1	B.09.03.L60007_0	12	1		
59900110	Y.01.03.L60007_0	45	1	59900157	B.09.01.L60007_0	5	1	B.09.04.L60007_0	18	1		
	59900111	Y.01.02.L60007_0	11		7	B.09.03.L60007_0	5	1	B.09.05.L60007_0	5	1	
	Y.01.03.L60007_0	13	2		B.09.06.L60007_0	5	1	B.09.06.L60007_0	12	1		
59900112	Y.01.04.L60007_0	11	8	59900158	B.09.07.L60007_0	5	1	B.09.07.L60007_0	12	1		
	59900113	Y.01.02.L60007_0	2		1	B.09.01.L60007_0	10	1	B.09.08.L60007_0	18	1	
	Y.01.03.L60007_0	2	1		B.09.02.L60007_0	13	1	59900200	B.09.05.L60007_0	1	1	
59900114	59900114	Y.01.02.L60007_0	13	2	59900159	B.09.03.L60007_0	10	1	59900242	B.07.01.L60007_0	14	3
	Y.01.04.L60007_0	9	4	B.09.04.L60007_0		13	1	B.07.01.L60007_1	14	3		
	59900115	Y.01.03.L60007_0	39	2		B.09.05.L60007_0	6	1	B.07.01.L60007_2	14	3	
59900116	59900116	Y.01.03.L60007_0	4	1	59900160	B.09.06.L60007_0	10	1	B.07.01.L60007_3	14	3	
	59900117	Y.01.03.L60007_0	14	3		B.09.07.L60007_0	10	1	59900339	F.03.01.L60007_0	22.2	1
	59900118	E.01.01.L60007_0	11	1		B.09.08.L60007_0	13	1	59900344	A.01.02.L60008_0	1.3	1
59900119	E.01.01.L60008_1	11	1	59900161	B.09.01.L60007_0	9	18	A.01.02.L60008_1	1.3	1		
	E.01.01.L60008_2	11	1		B.09.02.L60007_0	12	10	A.01.05.L60008_0	1.3	1		
	59900120	B.09.01.L60007_0	13		1	B.09.03.L60007_0	9	18	59900345	A.01.02.L60008_0	1.5	1
59900121	B.09.02.L60007_0	14	1	59900162	B.09.04.L60007_0	12	10	A.01.02.L60008_1	1.5	1		
	B.09.03.L60007_0	13	1		B.09.06.L60007_0	9	18	A.01.02.L60008_2	1.5	1		
	B.09.04.L60007_0	14	1		B.09.07.L60007_0	9	18	A.01.02.L60008_3	1.5	1		
59900122	B.09.05.L60007_0	7	1	59900163	B.09.08.L60007_0	12	10	A.01.05.L60008_0	1.4	1		
	B.09.06.L60007_0	13	1		59900159	B.09.01.L60007_0	4	1	A.01.05.L60008_1	1.4	1	
	B.09.07.L60007_0	13	1		B.09.03.L60007_0	4	1	59900347	A.04.02.L60008_0	1.2	1	

## SPARE PARTS INSTANCE INDEX

Code	Parts Table	Pos.	Q.ty	Code	Parts Table	Pos.	Q.ty	Code	Parts Table	Pos.	Q.ty
59900347	A.04.02.L60008_1	1.2	1	59900407	Y.01.03.L60007_0	5	1	59900469	Y.01.06.L60007_0	17	4
	A.04.02.L60008_2	1,2	1	59900408	Y.01.02.L60007_0	31	2	59900474	Y.01.05.L60007_0	34	4
	A.04.05.L60008_0	1.2	1		Y.01.03.L60007_0	6	2	59900477	Y.01.01.L60007_0	62	2
	A.04.05.L60008_1	1.2	1	59900409	Y.01.02.L60007_0	32	1	59900506	Y.01.05.L60007_0	81	1
59900353	A.04.02.L60008_0	1.1	1		Y.01.03.L60007_0	8	1	59900507	Y.01.05.L60007_0	69	1
	A.04.02.L60008_1	1.1	1	59900411	Y.01.03.L60007_0	17	1	59900516	Y.01.05.L60007_0	50	7
	A.04.02.L60008_2	1,1	1	59900414	Y.01.03.L60007_0	22	1	59900521	Y.01.05.L60007_0	89	2
	A.04.05.L60008_0	1.1	1	59900415	Y.01.03.L60007_0	25	1	59900543	Y.01.04.L60007_0	1/1	1
	A.04.05.L60008_1	1.1	1	59900425	Y.01.04.L60007_0	4	2	59900544	Y.01.04.L60007_0	1/2	1
59900361	W.01.01.L60007_0	1.3		59900426	Y.01.04.L60007_0	5	2	59900552	Y.01.02.L60007_0	1	1
	W.01.02.L60007_0	6.3		59900427	Y.01.04.L60007_0	6	1	59900553	Y.01.03.L60007_0	1	1
59900376	D.12.01.L60007_0	12	1	59900429	Y.01.04.L60007_0	18	3	59900556	Y.01.01.L60007_0	1	1
	D.12.01.L60007_1	12	1	59900432	Y.01.04.L60007_0	26	3	59900557	Y.01.01.L60007_0	2	1
59900381	Y.01.01.L60007_0	22	2		Y.01.05.L60007_0	19	1	59900558	Y.01.01.L60007_0	3	3.3
59900383	Y.01.01.L60007_0	23	4		Y.01.06.L60007_0	36	4	59900559	Y.01.01.L60007_0	5/1	1
59900388	Y.01.01.L60007_0	60	1	59900439	Y.01.05.L60007_0	29	9	59900560	Y.01.01.L60007_0	5/2	1
59900389	Y.01.01.L60007_0	50	1	59900440	Y.01.05.L60007_0	78	1	59900561	Y.01.01.L60007_0	6	6
59900390	Y.01.01.L60007_0	63	4	59900441	Y.01.05.L60007_0	79	1		Y.01.04.L60007_0	31	1
59900393	Y.01.01.L60007_0	48	2	59900444	Y.01.05.L60007_0	60	1		Y.01.05.L60007_0	46	7
59900395	Y.01.05.L60007_0	42	8	59900447	Y.01.05.L60007_0	73	1	59900562	Y.01.01.L60007_0	7	6
59900396	Y.01.01.L60007_0	56	1	59900448	Y.01.05.L60007_0	72	1		Y.01.05.L60007_0	47	4
	Y.01.06.L60007_0	29	8	59900449	Y.01.05.L60007_0	70	1	59900563	Y.01.01.L60007_0	8	2
59900397	Y.01.01.L60007_0	4	10	59900455	Y.01.05.L60007_0	40	8	59900564	Y.01.01.L60007_0	14/1	1
59900398	Y.01.01.L60007_0	24	4	59900459	Y.01.05.L60007_0	7	1	59900565	Y.01.01.L60007_0	15	2
	Y.01.04.L60007_0	25	1	59900460	Y.01.05.L60007_0	9	2	59900566	Y.01.01.L60007_0	16	4
	Y.01.06.L60007_0	10	16	59900463	Y.01.05.L60007_0	35	2	59900567	Y.01.01.L60007_0	17	1
59900402	Y.01.02.L60007_0	12	2	59900464	Y.01.05.L60007_0	36	6	59900568	Y.01.01.L60007_0	19/1	1
59900403	Y.01.03.L60007_0	7	1		Y.01.05.L60007_0	54	2	59900569	Y.01.01.L60007_0	19/2	1
59900404	Y.01.02.L60007_0	21	2	59900466	Y.01.01.L60007_0	61	2	59900570	Y.01.01.L60007_0	27/1	6
	Y.01.03.L60007_0	41	1	59900468	Y.01.01.L60007_0	20	2	59900571	Y.01.01.L60007_0	27/2	1
	Y.01.06.L60007_0	14	6		Y.01.04.L60007_0	32	1	59900572	Y.01.01.L60007_0	28	12
59900405	Y.01.03.L60007_0	23	2		Y.01.05.L60007_0	58	8	59900573	Y.01.01.L60007_0	29/1	1
59900406	Y.01.03.L60007_0	24	2		Y.01.06.L60007_0	27	16	59900574	Y.01.01.L60007_0	29/2	1
59900407	Y.01.02.L60007_0	30	1	59900469	Y.01.05.L60007_0	22	3	59900575	Y.01.01.L60007_0	30	4



## SPARE PARTS INSTANCE INDEX

Code	Parts Table	Pos.	Q.ty	Code	Parts Table	Pos.	Q.ty	Code	Parts Table	Pos.	Q.ty
59900576	Y.01.01.L60007_0	32	2	59900609	Y.01.02.L60007_0	35	1	59900647	Y.01.04.L60007_0	30	1
	Y.01.06.L60007_0	44	4	59900610	Y.01.02.L60007_0	36	1	59900649	Y.01.04.L60007_0	33	1
59900577	Y.01.01.L60007_0	33	1	59900611	Y.01.02.L60007_0	37a	1	59900650	Y.01.04.L60007_0	34	1
59900578	Y.01.01.L60007_0	34	2.6	59900612	Y.01.02.L60007_0	37b	1	59900651	Y.01.04.L60007_0	35	1
59900579	Y.01.01.L60007_0	34/1	3.1	59900613	Y.01.02.L60007_0	38a	1	59900652	Y.01.04.L60007_0	36	1
	Y.01.05.L60007_0	24	0.7	59900614	Y.01.02.L60007_0	38b	1	59900653	Y.01.04.L60007_0	37	1
59900580	Y.01.01.L60007_0	35	0.9	59900615	Y.01.02.L60007_0	39	2	59900654	Y.01.04.L60007_0	38	1
	Y.01.06.L60007_0	9	0.45	59900616	Y.01.02.L60007_0	40	4	59900656	Y.01.04.L60007_0	40	2
59900581	Y.01.01.L60007_0	36	2	59900617	Y.01.02.L60007_0	42	1	59900657	Y.01.04.L60007_0	41/1	1
59900582	Y.01.01.L60007_0	37	1	59900619	Y.01.03.L60007_0	11	1	59900658	Y.01.04.L60007_0	41/2	1
59900583	Y.01.01.L60007_0	40	1	59900620	Y.01.03.L60007_0	21	1	59900659	Y.01.04.L60007_0	42/1	1
59900584	Y.01.01.L60007_0	41	1	59900621	Y.01.03.L60007_0	26	2	59900660	Y.01.04.L60007_0	42/2	1
59900585	Y.01.01.L60007_0	45/1	1	59900622	Y.01.03.L60007_0	27	2	59900663	Y.01.05.L60007_0	1	1
59900586	Y.01.01.L60007_0	45/2	1	59900623	Y.01.03.L60007_0	28	2	59900664	Y.01.05.L60007_0	1.1	0.77
59900587	Y.01.01.L60007_0	46	2	59900624	Y.01.03.L60007_0	31	2	59900665	Y.01.05.L60007_0	4	2
59900588	Y.01.01.L60007_0	49	2		Y.01.04.L60007_0	7	4	59900666	Y.01.05.L60007_0	5	2
59900589	Y.01.01.L60007_0	54	3.2	59900625	Y.01.03.L60007_0	32	4	59900667	Y.01.05.L60007_0	6	3
59900590	Y.01.01.L60007_0	55	1	59900628	Y.01.03.L60007_0	38	2	59900668	Y.01.05.L60007_0	8	1
59900598	Y.01.02.L60007_0	3a	1	59900629	Y.01.03.L60007_0	46	2	59900669	Y.01.05.L60007_0	13	1
59900599	Y.01.02.L60007_0	3b	1	59900630	Y.01.03.L60007_0	47	1	59900670	Y.01.05.L60007_0	15	1
59900600	Y.01.02.L60007_0	4	4	59900631	Y.01.04.L60007_0	2	1	59900671	Y.01.05.L60007_0	16	1
59900601	Y.01.02.L60007_0	5	2	59900632	Y.01.04.L60007_0	3/1	1	59900672	Y.01.05.L60007_0	17	1
	Y.01.04.L60007_0	39	2	59900633	Y.01.04.L60007_0	3/2	1	59900673	Y.01.05.L60007_0	18	6
59900602	Y.01.02.L60007_0	16	2	59900636	Y.01.04.L60007_0	13/1	1	59900674	Y.01.05.L60007_0	23	1
	Y.01.03.L60007_0	37	2	59900637	Y.01.04.L60007_0	13/2	1	59900676	Y.01.05.L60007_0	25	2
59900603	Y.01.02.L60007_0	17	2	59900638	Y.01.04.L60007_0	14/1	1	59900677	Y.01.05.L60007_0	26	2
59900604	Y.01.02.L60007_0	18	2	59900639	Y.01.04.L60007_0	14/2	1	59900678	Y.01.05.L60007_0	27	1
	Y.01.03.L60007_0	33	8	59900640	Y.01.04.L60007_0	21	1	59900679	Y.01.05.L60007_0	28	2.2
	Y.01.04.L60007_0	12	4	59900641	Y.01.04.L60007_0	22	1	59900680	Y.01.05.L60007_0	30	1
59900605	Y.01.02.L60007_0	19	2	59900642	Y.01.04.L60007_0	23/1	1	59900681	Y.01.05.L60007_0	31	2
59900606	Y.01.02.L60007_0	25	1	59900643	Y.01.04.L60007_0	23/2	1	59900682	Y.01.05.L60007_0	32	2
59900607	Y.01.02.L60007_0	26	1	59900644	Y.01.04.L60007_0	24	1	59900683	Y.01.05.L60007_0	33	2
59900608	Y.01.02.L60007_0	33	1	59900645	Y.01.04.L60007_0	27/1	1	59900684	Y.01.05.L60007_0	37	2
	Y.01.03.L60007_0	9	1	59900646	Y.01.04.L60007_0	27/2	1	59900685	Y.01.05.L60007_0	38	2

## SPARE PARTS INSTANCE INDEX

Code	Parts Table	Pos.	Q.ty	Code	Parts Table	Pos.	Q.ty	Code	Parts Table	Pos.	Q.ty
59900686	Y.01.05.L60007_0	39	2	59900722	Y.01.06.L60007_0	4/2	1	59900766	A.01.02.L60008_1	1.4	1
59900687	Y.01.05.L60007_0	41	3.1	59900723	Y.01.06.L60007_0	4/3	1		A.01.02.L60008_2	1.4	1
59900688	Y.01.05.L60007_0	43	4	59900724	Y.01.06.L60007_0	4/4	1		A.01.02.L60008_3	1.4	1
59900689	Y.01.05.L60007_0	44	4.4	59900725	Y.01.06.L60007_0	5	6	59900861	J.03.01.L60007_0	1.6	1
59900690	Y.01.05.L60007_0	44.1	5.1	59900726	Y.01.06.L60007_0	6	4		J.05.01.L60007_0	1.6	1
59900691	Y.01.05.L60007_0	45	1	59900727	Y.01.06.L60007_0	7	2	59900862	J.03.01.L60007_0	1.5	2
59900694	Y.01.05.L60007_0	48	1	59900728	Y.01.06.L60007_0	8	2		J.05.01.L60007_0	1.5	2
59900695	Y.01.05.L60007_0	49	1	59900730	Y.01.06.L60007_0	11	4	59900863	J.02.01.L60007_0	1.1	6
59900696	Y.01.05.L60007_0	51	1	59900731	Y.01.06.L60007_0	12	1		J.03.01.L60007_0	1.1	6
59900697	Y.01.05.L60007_0	51a	2	59900732	Y.01.06.L60007_0	15	4		J.04.01.L60007_0	1.2	2
59900698	Y.01.05.L60007_0	52	4	59900733	Y.01.06.L60007_0	16	1		J.05.01.L60007_0	1.1	6
59900699	Y.01.05.L60007_0	53	2	59900734	Y.01.06.L60007_0	18	2	59900864	J.03.01.L60007_0	1.3	1
	Y.01.05.L60007_0	61	2	59900735	Y.01.06.L60007_0	19	2		J.05.01.L60007_0	1.3	1
59900700	Y.01.05.L60007_0	55	4	59900736	Y.01.06.L60007_0	20	2	59900866	J.03.01.L60007_0	1.8	1
59900701	Y.01.05.L60007_0	56	1	59900737	Y.01.06.L60007_0	21	2		J.05.01.L60007_0	1.8	1
59900702	Y.01.05.L60007_0	57	2	59900738	Y.01.06.L60007_0	22	8	59900867	J.03.01.L60007_0	1.9	1
59900704	Y.01.05.L60007_0	68	1.4	59900739	Y.01.06.L60007_0	23	8		J.04.01.L60007_0	1.1	1
59900705	Y.01.05.L60007_0	71	1	59900740	Y.01.06.L60007_0	24	8		J.05.01.L60007_0	1.9	1
59900706	Y.01.05.L60007_0	75	1	59900741	Y.01.06.L60007_0	25	4	59900868	J.02.01.L60007_0	1.2	1
59900707	Y.01.05.L60007_0	76	1	59900742	Y.01.06.L60007_0	26	4	59900869	J.02.01.L60007_0	1.4	1
59900708	Y.01.05.L60007_0	77	1	59900744	Y.01.06.L60007_0	28	8	59900870	J.02.01.L60007_0	1.3	2
59900709	Y.01.05.L60007_0	80	1	59900745	Y.01.06.L60007_0	30	2		J.04.01.L60007_0	1.5	1
59900710	Y.01.05.L60007_0	82	1	59900746	Y.01.06.L60007_0	32	2	59900871	J.02.01.L60007_0	1.6	1
59900711	Y.01.05.L60007_0	83	1	59900747	Y.01.06.L60007_0	33/1	1	59900872	J.02.01.L60007_0	1.7	1
59900712	Y.01.05.L60007_0	84	1	59900748	Y.01.06.L60007_0	33/2	1	59900873	J.02.01.L60007_0	1.8	1
59900713	Y.01.05.L60007_0	85	1	59900749	Y.01.06.L60007_0	34	4	59900874	J.02.01.L60007_0	1.9	1
59900714	Y.01.05.L60007_0	86	1	59900750	Y.01.06.L60007_0	37	4	59900875	J.02.01.L60007_0	1.10	1
59900715	Y.01.05.L60007_0	87	1	59900751	Y.01.06.L60007_0	39	2		J.04.01.L60007_0	1.3	1
59900716	Y.01.05.L60007_0	88	1	59900752	Y.01.06.L60007_0	40	2	59900876	J.02.01.L60007_0	1.13	1
59900717	Y.01.05.L60007_0	90	1	59900753	Y.01.06.L60007_0	41	1	59900877	J.02.01.L60007_0	1.11	1
59900718	Y.01.06.L60007_0	1	1	59900754	Y.01.06.L60007_0	42	1	59900878	J.02.01.L60007_0	1.12	1
59900719	Y.01.06.L60007_0	2	1	59900755	Y.01.06.L60007_0	43/1	1		J.04.01.L60007_0	1.4	1
59900720	Y.01.06.L60007_0	3	2	59900756	Y.01.06.L60007_0	43/2	1	59900879	J.01.01.L60007_0	4	1
59900721	Y.01.06.L60007_0	4/1	1	59900766	A.01.02.L60008_0	1.4	1	59900880	J.01.01.L60007_0	7	1



## SPARE PARTS INSTANCE INDEX

Code	Parts Table	Pos.	Q.ty	Code	Parts Table	Pos.	Q.ty	Code	Parts Table	Pos.	Q.ty
59900881	J.01.01.L60007_0	3.3	1	59901059	B.09.04.L60007_0	19	1	59901106	B.09.08.L60007_0	8	1
	J.01.01.L60007_1	3.3	1	59901060	B.09.03.L60007_0	2	1	59901107	B.09.02.L60007_0	9	1
59900884	J.01.01.L60007_0	3.5	1		B.09.04.L60007_0	2	1		B.09.04.L60007_0	9	1
	J.01.01.L60007_1	3.5	1	59901061	E.01.01.L60007_0	18	1		B.09.08.L60007_0	9	1
	J.01.01.L60007_2	3.5	1		E.01.01.L60008_1	17	1	59901108	B.09.02.L60007_0	10	1
	J.01.01.L60007_3	3.5	1		E.01.01.L60008_2	17	1		B.09.04.L60007_0	10	1
	J.01.02.L60007_0	3.5	1	59901099	B.09.01.L60007_0	15	1		B.09.08.L60007_0	10	1
	J.01.02.L60007_1	3.5	1		B.09.02.L60007_0	15	1	59901109	B.09.02.L60007_0	11	1
59900897	B.02.01.L60007_0	1/1	1		B.09.03.L60007_0	15	1		B.09.04.L60007_0	11	1
59900898	B.02.01.L60007_0	1/2	1		B.09.04.L60007_0	15	1		B.09.08.L60007_0	11	1
59900899	B.02.01.L60007_0	1/3	1		B.09.07.L60007_0	15	1	59901140	A.01.02.L60008_2	1.3	1
59900900	B.02.01.L60007_0	1/4	1		B.09.08.L60007_0	15	1		A.01.02.L60008_3	1.3	1
59900901	B.02.01.L60007_0	1/5	1	59901100	B.09.01.L60007_0	17	1		A.01.05.L60008_1	1.3	1
59900902	B.02.01.L60007_0	1/6	1		B.09.03.L60007_0	17	1	59901264	A.01.05.L60008_0	44	1
59900903	B.02.01.L60007_0	1/7	1		B.09.06.L60007_0	17	2		A.01.05.L60008_1	38	1
59900904	B.02.01.L60007_0	1/8	1		B.09.07.L60007_0	17	1	59901265	A.01.05.L60008_0	36.1	1
59900905	B.02.01.L60007_0	1/9	1	59901101	B.09.01.L60007_0	18	2		A.01.05.L60008_1	1.6	1
59901049	B.09.01.L60007_0	3	1		B.09.03.L60007_0	18	1	59901330	G.01.02.L60008_0	1.3	1
	B.09.03.L60007_0	3	1		B.09.06.L60007_0	18	2		G.01.02.L60008_1	1.3	1
	B.09.06.L60007_0	3	1		B.09.07.L60007_0	18	2		G.01.02.L60008_2	1.3	1
	B.09.07.L60007_0	3		59901102	B.09.02.L60007_0	4	1	59901331	G.01.02.L60008_0	1.2	1
59901050	B.09.06.L60007_0	2	1		B.09.04.L60007_0	4	1		G.01.02.L60008_1	1.2	1
59901056	B.09.02.L60007_0	3	1		B.09.08.L60007_0	4	1		G.01.02.L60008_2	1.2	1
	B.09.04.L60007_0	3	1	59901103	B.09.02.L60007_0	5	1	59901334	G.01.02.L60008_0	2.3	1
	B.09.08.L60007_0	3	1		B.09.04.L60007_0	5	1		G.01.02.L60008_1	2.3	1
59901057	B.09.01.L60007_0	19	1		B.09.08.L60007_0	5	1		G.01.02.L60008_2	2.3	1
	B.09.02.L60007_0	19	1	59901104	B.09.02.L60007_0	6	2	59901335	G.01.02.L60008_0	2.2	1
	B.09.07.L60007_0	19	1		B.09.04.L60007_0	6	2		G.01.02.L60008_1	2.2	1
	B.09.08.L60007_0	19	1		B.09.08.L60007_0	6	2		G.01.02.L60008_2	2.2	1
59901058	B.09.01.L60007_0	2	1	59901105	B.09.02.L60007_0	7	1	59901402	B.02.01.L60008_1	26/1	1
	B.09.02.L60007_0	2	1		B.09.04.L60007_0	7	1	59901403	B.02.01.L60008_1	26/2	1
	B.09.07.L60007_0	2			B.09.08.L60007_0	7	1	59901405	B.02.01.L60008_1	26/3	1
	B.09.08.L60007_0	2	1	59901106	B.09.02.L60007_0	8	1	59901406	B.02.01.L60008_1	26/4	1
59901059	B.09.03.L60007_0	19	1		B.09.04.L60007_0	8	1	59901408	B.02.01.L60008_1	26/5	1



## SPARE PARTS INSTANCE INDEX

Code	Parts Table	Pos.	Q.ty	Code	Parts Table	Pos.	Q.ty	Code	Parts Table	Pos.	Q.ty
59901409	B.02.01.L60008_1	26/6	1	59906012	J.01.01.L60007_3	4.2	1	59906042	J.01.01.L60007_3	17	1
59901429	B.07.01.L60007_2	56	1		J.01.02.L60007_0	4.2	1	59906043	J.02.01.L60007_0	1.14	1
	B.07.01.L60007_3	57	1	59906013	J.01.01.L60007_1	4.2	1	59978087	D.12.01.L60007_0	27	1
59901487	D.14.01.L60007_0	22.1	2		J.01.01.L60007_2	4.2	1	59978091	D.14.01.L60007_1	42	1
	D.14.01.L60007_1	22.1	2		J.01.01.L60007_3	4.3	1		D.14.01.L60007_2	42	1
	D.14.01.L60007_2	22.1	2		J.01.02.L60007_1	4.2	1	59978093	D.12.01.L60007_0	50	1
59901491	E.05.01.L60008_2	14	1	59906014	J.01.01.L60007_1	4.4	1	F0110037024	L.02.07.L60007_0	6	1
59901507	E.01.01.L60007_0	12	1		J.01.01.L60007_2	4.4	1		L.02.09.L60007_0	6	1
	E.01.01.L60008_1	12	1		J.01.01.L60007_3	4.4	1		L.02.10.L60007_0	7	1
	E.01.01.L60008_2	12	1		J.01.02.L60007_0	4.3	1	F0150010905	W.01.01.L60007_0	11	1
	E.05.01.L60008_0	13	3		J.01.02.L60007_1	4.3	1		W.01.02.L60007_0	5	4
	E.05.01.L60008_1	13	3	59906015	J.01.02.L60007_0	4.1	1	F0150036215	B.09.05.L60007_0	2	1
	E.05.01.L60008_2	13	2		J.01.02.L60007_1	4.1	1	F0150036219	B.09.05.L60007_0	8	1
59906000	J.01.01.L60007_0	4.2	1	59906016	J.01.02.L60007_0	4	1	F0150051050	T.04.01.L60007_0	1	6
59906002	J.01.01.L60007_0	4.3	1	59906017	J.01.02.L60007_0	3.3	1	F0150051145	T.04.01.L60007_0	3	2
59906003	J.01.01.L60007_0	4.1	1	59906018	J.01.02.L60007_0	3.7	1	F0190018909	E.01.01.L60007_0	2	1
59906006	J.01.01.L60007_1	4.5	1		J.01.02.L60007_1	3.7	1		E.01.01.L60008_1	2	1
	J.01.01.L60007_2	4.5	1	59906019	J.04.01.L60007_0	1.6	1		E.01.01.L60008_2	2	1
59906007	J.05.01.L60007_0	1.2	1	59906022	J.01.01.L60007_0	3.1	1	F0190021254	D.14.01.L60007_0	20	2
59906008	J.01.01.L60007_1	4	1	59906023	J.01.01.L60007_0	4.4	1		D.14.01.L60007_1	20	2
59906009	J.01.01.L60007_1	3.1	1	59906024	J.03.01.L60007_0	1.2	1		D.14.01.L60007_2	20	2
	J.01.01.L60007_2	3.1	1	59906025	J.01.01.L60007_2	4	1	F0256112009	A.03.03.L60008_3	32	1
	J.01.01.L60007_3	3.1	1	59906026	J.01.02.L60007_1	4	1		A.03.03.L60008_4	32	1
	J.01.02.L60007_0	3.1	1	59906027	J.01.01.L60007_2	3.3	1		A.03.05.L60008_3	32	1
	J.01.02.L60007_1	3.1	1	59906028	J.01.02.L60007_1	3.3	1		A.03.05.L60008_4	32	1
59906010	J.01.01.L60007_1	3.6	1	59906029	J.02.01.L60007_0	1.5	1	F0256808000	A.05.01.L60007_0	31	1
	J.01.01.L60007_2	3.6	1	59906030	J.03.01.L60007_0	1.7	2		S.01.01.L60007_0	50	0
	J.01.01.L60007_3	3.6	1		J.05.01.L60007_0	1.7	2	F0256809050	A.03.03.L60008_0	6	
	J.01.02.L60007_0	3.6	1	59906031	J.03.01.L60007_0	1.4	1		A.03.03.L60008_1	6	
	J.01.02.L60007_1	3.6	1		J.05.01.L60007_0	1.4	1		A.03.03.L60008_2	6	
59906011	J.01.01.L60007_1	4.1	1	59906035	J.01.01.L60007_3	4	1		A.03.03.L60008_3	6	1
	J.01.01.L60007_2	4.1	1	59906036	J.01.01.L60007_3	4.5	1		A.03.03.L60008_4	6	1
59906012	J.01.01.L60007_1	4.3	1	59906037	J.01.01.L60007_3	4.1	1		A.03.05.L60008_0	6	0
	J.01.01.L60007_2	4.3	1	59906038	J.01.01.L60007_3	3.3	1		A.03.05.L60008_1	6	0



## SPARE PARTS INSTANCE INDEX

Code	Parts Table	Pos.	Q.ty	Code	Parts Table	Pos.	Q.ty	Code	Parts Table	Pos.	Q.ty
F0256809050	A.03.05.L60008_2	6		F0801244080	D.12.01.L60007_1	24	1	F0801353000	D.12.01.L60007_1	9	1
	A.03.05.L60008_3	6	1	F0801248000	D.12.01.L60007_0	12.3	1	F0801380100	D.04.01.L60007_0	16	2
	A.03.05.L60008_4	6	1		D.12.01.L60007_1	12.3	1		D.04.01.L60007_1	16	2
F0256910010	B.05.01.L60007_0	11	0.75	F0801264050	D.02.01.L60008_0	14	1		D.16.01.L60002_0	14	1
	B.05.02.L60007_0	9	0.75		D.04.01.L60007_0	1	1		D.16.01.L60007_0	14	1
	B.05.51.L60007_0	9	0.75		D.04.01.L60007_1	1	1		D.16.01.L60007_1	14	1
F0801022000	T.02.03.L60007_0	16	1		D.16.01.L60002_0	12	1		D.16.01.L60007_2	14	1
F0801028000	T.02.03.L60007_0	10	6		D.16.01.L60007_0	12	1		D.16.01.L60007_3	14	1
F0801050000	M.01.01.L60007_0	23	1		D.16.01.L60007_1	12	1	F0801422010	D.01.01.L60007_0	10	2
F0801183000	D.16.01.L60002_0	30	1		D.16.01.L60007_2	12	1	F0801455100	D.02.01.L60008_0	34	1
	D.16.01.L60007_0	30	1		D.16.01.L60007_3	12	1	F0802088050	D.16.01.L60007_0	36	1
	D.16.01.L60007_1	30	1	F0801266100	D.02.01.L60008_0	22	1	F0802119050	D.01.01.L60007_0	24	4
	D.16.01.L60007_2	30	1	F0801282050	D.12.01.L60007_0	44	1	F0802125100	D.16.01.L60002_0	6	1
	D.16.01.L60007_3	30	1		D.12.01.L60007_1	44	1		D.16.01.L60007_0	6	1
F0801190100	D.16.01.L60002_0	42	1	F0801297050	D.12.01.L60007_0	48	1		D.16.01.L60007_1	6	1
	D.16.01.L60007_0	42	1		D.12.01.L60007_1	48	1		D.16.01.L60007_2	6	1
	D.16.01.L60007_1	42	1		S.01.01.L60007_0	35	2		D.16.01.L60007_3	6	1
	D.16.01.L60007_2	42	1	F0801299100	D.06.01.L60007_0	20	2	F0802163010	D.02.01.L60008_0	13	1
	D.16.01.L60007_3	42	1		D.06.01.L60007_1	20	2	F0802228005	D.12.01.L60007_0	28	1
F0801218010	D.01.01.L60007_0	28	2	F0801310600	C.01.01.L60007_0	42	1		D.12.01.L60007_1	28	1
F0801241005	D.06.01.L60007_0	30	2	F0801310700	D.15.01.L60007_0	63	1	F0802239045	D.01.01.L60007_0	7	1
	D.06.01.L60007_1	30	2		D.15.01.L60007_1	63	1	F0802700150	D.10.01.L60007_0	1	2
	D.16.01.L60002_0	26	2		D.15.02.L60007_0	63	1	F0803050000	D.14.01.L60007_0	33	1
	D.16.01.L60007_0	26	2		D.15.02.L60007_1	63	1		D.14.01.L60007_1	33	1
	D.16.01.L60007_1	26	2	F0801331050	L.01.01.L60002_0	20	2		D.14.01.L60007_2	33	1
	D.16.01.L60007_2	26	2		L.01.01.L60007_0	20	2		F.03.01.L60007_0	14	1
	D.16.01.L60007_3	26	2		L.01.03.L60007_0	20	2	F0803057000	D.03.02.L60007_0	26	2
F0801241010	D.05.01.L60007_0	4	4		M.01.01.L60007_0	30	2		D.03.02.L60007_1	26	2
	D.05.01.L60007_1	4	4		S.01.01.L60007_0	40	2	F0803078100	D.01.01.L60007_0	5	1
	L.01.01.L60002_0	23	2	F0801331150	D.04.01.L60007_0	7	2	F0803185000	L.02.01.L60007_0	3	1
	L.01.01.L60007_0	23	2		D.04.01.L60007_1	7	2		L.02.02.L60007_0	3	1
	L.01.03.L60007_0	23	2	F0801353000	D.04.01.L60007_0	12	1		L.02.03.L60007_0	3	1
	M.01.01.L60007_0	33	2		D.04.01.L60007_1	12	1	F0803199010	D.12.01.L60007_0	65	1
F0801244080	D.12.01.L60007_0	24	2		D.12.01.L60007_0	9	1		D.12.01.L60007_1	65	1



## SPARE PARTS INSTANCE INDEX

Code	Parts Table	Pos.	Q.ty
F0803209000	D.11.01.L60007_0	4	1
	D.11.01.L60007_1	4	1
F0803209070	C.01.01.L60007_0	13	1
F0803209080	D.16.01.L60002_0	15	1
	D.16.01.L60007_0	15	1
	D.16.01.L60007_1	15	1
	D.16.01.L60007_2	15	1
	D.16.01.L60007_3	15	1
F0803210000	D.16.01.L60007_0	10	2
	D.16.01.L60007_1	10	2
	D.16.01.L60007_2	10	2
	D.16.01.L60007_3	10	2
F0803259000	C.01.01.L60007_0	12	1
	D.14.01.L60007_0	36	1
	D.14.01.L60007_1	36	1
	D.14.01.L60007_2	36	1
F0804099010	D.15.01.L60007_0	31	1
	D.15.01.L60007_1	31	1
	D.15.02.L60007_0	31	1
	D.15.02.L60007_1	31	1
F0808060100	T.02.01.L60007_0	2	1
F0808518050	B.06.01.L60007_0	25	4
	B.06.02.L60007_0	25	4
	B.06.05.L60007_0	24	4
	B.06.05.L60008_1	24	4
	B.06.51.L60007_0	25	4
F0810510000	A.03.03.L60008_3	27	3
	A.03.03.L60008_4	27	3
	A.03.05.L60008_3	27	3
	A.03.05.L60008_4	27	3
	D.03.01.L60007_0	24	1
	D.03.01.L60008_2	24	1
	D.14.01.L60007_0	18	2
	D.14.01.L60007_1	18	2

Code	Parts Table	Pos.	Q.ty
F0810510000	D.14.01.L60007_2	18	2
F0812523050	D.02.01.L60008_0	1	1
F0812599086	D.12.01.L60007_0	12.1	1
	D.12.01.L60007_1	12.1	1
F0812637000	D.12.01.L60007_0	2	2
	D.12.01.L60007_1	2	2
F0812660020	D.04.01.L60007_0	21	1
	D.04.01.L60007_1	21	1
F0812689000	D.06.01.L60007_0	29	1
	D.06.01.L60007_1	29	1
	D.16.01.L60002_0	27	1
	D.16.01.L60007_0	27	1
	D.16.01.L60007_1	27	1
	D.16.01.L60007_2	27	1
	D.16.01.L60007_3	27	1
F0812689050	D.12.01.L60007_0	12.2	1
	D.12.01.L60007_1	12.2	1
F0812692015	D.06.01.L60007_0	15	1
	D.06.01.L60007_1	15	1
F0812708030	D.05.01.L60007_0	2	1
	D.05.01.L60007_1	2	1
F0812736010	D.12.01.L60007_0	30	1
	D.12.01.L60007_1	30	1
F0812747000	C.01.01.L60007_0	28	4
F0812783000	D.04.01.L60007_0	19	1
	D.04.01.L60007_1	19	1
F0812784000	D.12.01.L60007_0	17	2
	D.12.01.L60007_1	17	2
F0812811000	D.06.01.L60007_0	19	2
	D.06.01.L60007_1	19	2
F0812859000	D.01.01.L60007_0	9	2
F0812868000	D.04.01.L60007_0	2	1
	D.04.01.L60007_1	2	1
F0812868100	D.02.01.L60008_0	17	1

Code	Parts Table	Pos.	Q.ty
F0812878040	D.04.01.L60007_0	4	2
	D.04.01.L60007_1	4	2
F0812899000	D.06.01.L60007_0	2	1
	D.06.01.L60007_1	2	1
	D.16.01.L60002_0	23	1
	D.16.01.L60007_0	23	1
	D.16.01.L60007_1	23	1
	D.16.01.L60007_2	23	1
	D.16.01.L60007_3	23	1
F0812918010	D.04.01.L60007_0	22	1
	D.04.01.L60007_1	22	1
	D.12.01.L60007_0	26	3
	D.12.01.L60007_1	26	1
F0812951070	D.06.01.L60007_0	5	2
	D.06.01.L60007_1	5	2
F0812951200	D.04.01.L60007_0	15	2
	D.04.01.L60007_1	15	2
F0812951300	D.12.01.L60007_0	20	1
	D.12.01.L60007_1	20	1
F0812956000	D.01.01.L60007_0	14	2
	D.09.01.L60007_0	10	2
F0812957000	D.06.01.L60007_0	13	1
	D.06.01.L60007_1	13	1
F0812957010	D.12.01.L60007_0	11	1
	D.12.01.L60007_1	11	1
F0812975250	D.10.01.L60007_0	2	4
F0814545000	A.03.03.L60008_0	20	2
	A.03.03.L60008_1	20	2
	A.03.03.L60008_2	20	2
	A.03.03.L60008_3	37	2
	A.03.03.L60008_4	37	2
	A.03.05.L60008_0	20	2
	A.03.05.L60008_1	20	2
	A.03.05.L60008_2	20	2



## SPARE PARTS INSTANCE INDEX

Code	Parts Table	Pos.	Q.ty
F0814545000	A.03.05.L60008_3	37	2
	A.03.05.L60008_4	37	2
F0814547000	B.01.01.L60007_1	18	1
	F.02.02.L60007_0	9	
	F.02.02.L60007_1	9	
F0814569000	B.01.01.L60007_0	19	1
	D.03.02.L60007_0	15	1
	D.03.02.L60007_1	15	1
	M.01.01.L60007_0	24	5
F0814585000	B.02.01.L60008_1	5	3
	B.08.02.L60007_0	10	1
	Y.01.04.L60007_0	51	8
F0814627000	D.03.01.L60007_0	10	8
	D.03.01.L60008_2	10	8
	D.15.01.L60007_0	37	1
	D.15.01.L60007_1	37	1
	D.15.02.L60007_0	37	1
	D.15.02.L60007_1	37	1
	L.03.01.L60007_0	32	6
	L.03.02.L60007_0	21	4
	L.03.03.L60007_0	21	4
	L.03.04.L60007_0	20	6
L.03.05.L60007_0	23	4	
F0814628050	D.15.01.L60007_0	4	1
	D.15.01.L60007_1	4	1
	D.15.02.L60007_0	4	1
	D.15.02.L60007_1	4	1
F0814632000	A.03.03.L60008_0	10	4
	A.03.03.L60008_1	10	4
	A.03.03.L60008_2	10	4
	A.03.03.L60008_3	10	2
	A.03.03.L60008_4	10	2
	A.03.05.L60008_0	10	4
	A.03.05.L60008_1	10	4

Code	Parts Table	Pos.	Q.ty
F0814632000	A.03.05.L60008_2	10	4
	A.03.05.L60008_3	10	2
	A.03.05.L60008_4	10	2
	C.01.01.L60007_0	10	2
	L.02.01.L60007_0	31	1
	L.02.02.L60007_0	29	1
	L.02.03.L60007_0	27	1
	S.01.01.L60007_0	19	6
F0814706000	C.02.01.L60008_0	5	3
F0814750010	C.01.01.L60007_0	46	16
	C.03.01.L60007_0	10	16
	D.13.01.L60007_0	14	1
F0814756000	T.04.01.L60007_0	11	2
F0814794000	B.03.01.L60007_0	21	2
	B.03.01.L60008_0	21	2
F0814843050	D.15.01.L60007_0	52	1
	D.15.01.L60007_1	52	1
	D.15.02.L60007_0	52	1
	D.15.02.L60007_1	52	1
F0817500100	D.03.01.L60007_0	41	2
	D.14.01.L60007_0	23	6
	D.14.01.L60007_1	23	6
	D.14.01.L60007_2	23	6
F0817500200	A.01.02.L60008_0	29	1
	A.01.02.L60008_1	29	1
	A.01.05.L60008_0	29	1
	A.03.03.L60008_0	31	4
	A.03.03.L60008_1	31	4
	A.03.03.L60008_2	31	4
	A.03.05.L60008_0	31	4
	A.03.05.L60008_1	31	4
	A.03.05.L60008_2	31	4
	A.05.01.L60007_0	20	4
F0817500400	A.01.02.L60008_0	28	3

Code	Parts Table	Pos.	Q.ty
F0817500400	A.01.02.L60008_1	28	3
	A.01.05.L60008_0	28	3
	A.03.03.L60008_0	33	2
	A.03.03.L60008_1	33	2
	A.03.03.L60008_2	33	2
	A.03.05.L60008_0	33	2
	A.03.05.L60008_1	33	2
	A.03.05.L60008_2	33	2
F0817500470	A.03.03.L60008_0	25	2
	A.03.03.L60008_1	25	2
	A.03.03.L60008_2	25	2
	A.03.05.L60008_0	25	2
	A.03.05.L60008_1	25	2
	A.03.05.L60008_2	25	2
F0817500500	A.03.03.L60008_0	22	1
	A.03.03.L60008_1	22	1
	A.03.03.L60008_2	22	1
	A.03.05.L60008_0	22	1
	A.03.05.L60008_1	22	1
	A.03.05.L60008_2	22	1
F0817500700	A.03.03.L60008_0	24	1
	A.03.03.L60008_1	24	1
	A.03.03.L60008_2	24	1
	A.03.05.L60008_0	24	1
	A.03.05.L60008_1	24	1
	A.03.05.L60008_2	24	1
F0817500800	A.04.02.L60008_0	9	1
	A.04.05.L60008_0	10	1
F0817500900	A.04.02.L60008_0	10	1
	A.04.05.L60008_0	11	1
F0817501200	A.04.02.L60008_0	7	1
F0817503000	F.01.01.L60007_0	5	8
F0817505200	A.01.02.L60008_2	28	1
	A.01.02.L60008_3	28	1

## SPARE PARTS INSTANCE INDEX

Code	Parts Table	Pos.	Q.ty	Code	Parts Table	Pos.	Q.ty	Code	Parts Table	Pos.	Q.ty
F0817505200	A.01.05.L60008_1	20	1	F0824110000	L.02.08.L60007_0	22	3	F0824141000	T.01.09.L60007_0	33	4
	A.03.03.L60008_3	31	6		L.02.09.L60007_0	17	36	F0824185000	F.01.01.L60007_0	23	1
	A.03.03.L60008_4	31	6		L.02.10.L60007_0	26	25	F0825115010	B.07.01.L60007_0	15	1
	A.03.05.L60008_3	31	6		L.02.11.L60007_0	22	3		B.07.01.L60007_1	15	1
	A.03.05.L60008_4	31	6		T.01.06.L60007_0	26	4		B.07.01.L60007_2	15	1
F0817550100	A.03.03.L60008_3	23	1		T.01.08.L60007_0	29	4		B.07.01.L60007_3	15	1
	A.03.03.L60008_4	23	1		T.01.09.L60007_0	31	4	F0825139000	B.07.01.L60007_0	16	1
	A.03.05.L60008_3	23	1	F0824113000	C.03.01.L60007_0	17	1		B.07.01.L60007_1	16	1
	A.03.05.L60008_4	23	1		D.03.01.L60007_0	39	1		B.07.01.L60007_2	16	1
F0817640003	D.07.01.L60007_0	5	3		D.03.01.L60008_2	39	1		B.07.01.L60007_3	16	1
	D.07.01.L60007_1	5	3		E.01.01.L60007_0	17	1	F0825400060	B.07.01.L60007_0	26	1
F0821054000	D.06.01.L60007_0	1	1		E.01.01.L60008_1	16	1		B.07.01.L60007_1	26	1
	D.06.01.L60007_1	1	1		E.01.01.L60008_2	16	1		B.07.01.L60007_2	26	1
	D.16.01.L60002_0	29	1		F.03.01.L60007_0	26	2		B.07.01.L60007_3	26	1
	D.16.01.L60007_0	29	1		G.01.02.L60008_1	12	2	F0825403050	B.07.01.L60007_0	17	1
	D.16.01.L60007_1	29	1		G.01.02.L60008_2	12	2		B.07.01.L60007_1	17	1
	D.16.01.L60007_2	29	1		L.02.01.L60007_0	37	4		B.07.01.L60007_2	17	1
	D.16.01.L60007_3	29	1		L.02.02.L60007_0	34	4		B.07.01.L60007_3	17	1
F0822537050	B.08.01.L60007_0	31	2		L.02.03.L60007_0	32	4	F0825414000	A.05.01.L60007_0	25	2
	B.08.02.L60007_0	31	2		L.02.08.L60007_0	33	5		B.02.01.L60007_0	30	2
F0824022000	A.03.03.L60008_3	26	3		L.02.11.L60007_0	33	5		B.02.01.L60008_1	21	4
	A.03.03.L60008_4	26	3	F0824141000	D.15.01.L60007_0	41	1		B.02.01.L60008_2	28	4
	A.03.05.L60008_3	26	3		D.15.01.L60007_1	41	1	F0825417000	E.01.01.L60007_0	8	1
	A.03.05.L60008_4	26	3		D.15.02.L60007_0	41	1		E.01.01.L60008_1	8	1
F0824110000	D.03.02.L60007_0	53	2		D.15.02.L60007_1	41	1		E.01.01.L60008_2	8	1
	D.03.02.L60007_1	54	2		F.03.01.L60007_0	5	5		F.02.02.L60007_1	16	1
	F.02.01.L60007_0	14			L.02.07.L60007_0	4	1	F0825438000	E.02.01.L60007_0	4	1
	F.02.01.L60008_1	19			L.02.09.L60007_0	4	1		E.02.01.L60007_1	4	1
	F.02.02.L60007_0	13			L.02.10.L60007_0	5	3		E.04.01.L60007_0	10	1
	F.02.02.L60007_1	13			M.02.01.L60007_0	16	4	F0825480100	E.01.01.L60007_0	1	1
	L.02.01.L60007_0	6	18		M.02.03.L60007_0	14	6		E.01.01.L60008_1	1	1
	L.02.02.L60007_0	6	26		M.02.04.L60007_0	14	6		E.01.01.L60008_2	1	1
	L.02.03.L60007_0	6	28		T.01.06.L60007_0	28	4	F0825488000	D.12.02.L60007_0	31	1
	L.02.07.L60007_0	18	33		T.01.08.L60007_0	31	4	F0825493000	E.02.01.L60007_0	9	1

## SPARE PARTS INSTANCE INDEX

Code	Parts Table	Pos.	Q.ty	Code	Parts Table	Pos.	Q.ty	Code	Parts Table	Pos.	Q.ty
F0825493000	E.02.01.L60007_1	9	1	F0826056000	L.01.03.L60007_0	6	1	F0837521000	B.08.02.L60007_0	37	1
F0825500200	B.07.01.L60007_0	18	1		M.01.01.L60007_0	7	3		L.02.07.L60007_0	40	1
	B.07.01.L60007_1	18	1		S.01.01.L60007_0	37	2		L.02.09.L60007_0	39	1
	B.07.01.L60007_2	18	1		T.01.05.L60007_0	4	2		L.02.10.L60007_0	20	1
	B.07.01.L60007_3	18	1		T.01.09.L60007_0	4	2	F0837534060	D.12.02.L60007_0	26	1
F0825500210	B.07.01.L60007_0	24	1		T.02.02.L60007_0	1.2	1	F0838131000	B.08.01.L60007_0	46	1
	B.07.01.L60007_1	24	1	F0831047000	D.12.02.L60007_0	10	1		B.08.02.L60007_0	48	1
	B.07.01.L60007_2	24	1	F0831065000	A.02.01.L60007_0	31	1	F0838154010	D.12.01.L60007_0	58	2
	B.07.01.L60007_3	24	1		A.02.01.L60008_1	31	1		D.12.01.L60007_1	58	2
F0825500220	B.07.01.L60007_0	25	1		B.01.01.L60007_0	13	1	F0838384000	A.01.02.L60008_0	38	2
	B.07.01.L60007_1	25	1		B.01.01.L60007_1	13	1	F0838475000	C.01.01.L60007_0	9	2
	B.07.01.L60007_2	25	1		B.01.02.L60002_2	13	1	F0838660000	C.02.01.L60008_0	4	1
	B.07.01.L60007_3	25	1	F0831125000	D.03.02.L60007_0	22	1	F0838726050	C.01.01.L60007_0	45	16
F0825718020	F.01.01.L60007_0	10.1	2		D.03.02.L60007_1	22	1		D.13.01.L60007_0	13	1
F0825980030	M.02.01.L60007_0	9	4	F0835022000	D.03.02.L60007_0	38	1	F0842510020	L.02.08.L60007_0	28	1
	M.02.03.L60007_0	7	4		D.03.02.L60007_1	38	1		L.02.11.L60007_0	28	1
	M.02.04.L60007_0	7	7		D.15.01.L60007_0	43	1	F0842510025	L.02.07.L60007_0	37	1
F0825980032	L.02.01.L60007_0	21	5		D.15.01.L60007_1	43	1		L.02.09.L60007_0	36	1
	L.02.02.L60007_0	19	8		D.15.02.L60007_0	43	1		L.02.10.L60007_0	35	1
	L.02.03.L60007_0	17	8		D.15.02.L60007_1	43	1	F0842512000	F.03.01.L60007_0	3	1
	T.01.06.L60007_0	29	4		F.03.01.L60007_0	12	1	F0843105000	D.03.01.L60007_0	29	1
	T.01.08.L60007_0	32	4	F0835023000	T.01.06.L60007_0	25	4		D.03.01.L60008_2	29	1
	T.01.09.L60007_0	34	4		T.01.08.L60007_0	28	4	F0843105200	D.14.01.L60007_0	43	4
F0825981000	L.02.01.L60007_0	20	5		T.01.09.L60007_0	30	4		D.14.01.L60007_1	43	4
	L.02.02.L60007_0	18	8	F0835027000	L.02.07.L60007_0	25	1		D.14.01.L60007_2	43	4
	L.02.03.L60007_0	16	8		L.02.09.L60007_0	24	1	F0843107000	D.03.02.L60007_0	54	1
	L.02.07.L60007_0	19	6	F0835031010	F.03.01.L60007_0	9	4		D.03.02.L60007_1	55	1
	L.02.09.L60007_0	18	8	F0835040000	T.01.06.L60007_0	27	4		D.15.01.L60007_0	50	1
F0826018000	D.14.01.L60007_0	11	2		T.01.08.L60007_0	30	4		D.15.01.L60007_1	50	1
	D.14.01.L60007_1	11	2		T.01.09.L60007_0	32	4		D.15.02.L60007_0	50	1
	D.14.01.L60007_2	11	2	F0835040030	F.03.01.L60007_0	8	2		D.15.02.L60007_1	50	1
F0826056000	C.02.01.L60008_0	9	2	F0835523000	D.03.01.L60007_0	25	1	F0843109000	F.03.01.L60007_0	4	2
	L.01.01.L60002_0	6	2		D.03.01.L60008_2	25	1	F0843109015	G.01.02.L60008_0	11	1
	L.01.01.L60007_0	6	2	F0837521000	B.08.01.L60007_0	37	1	F0843109020	D.03.02.L60007_0	52	1

## SPARE PARTS INSTANCE INDEX

Code	Parts Table	Pos.	Q.ty	Code	Parts Table	Pos.	Q.ty	Code	Parts Table	Pos.	Q.ty
F0843109020	D.03.02.L60007_1	53	1	F0843522010	J.01.02.L60007_1	12	3	F0843570000	B.01.01.L60007_0	22	4
	F.02.01.L60007_0	13		F0843526000	B.07.01.L60007_0	36	4		B.01.01.L60007_1	22	4
	F.02.01.L60008_1	18			B.07.01.L60007_1	36	4		B.01.02.L60002_2	23	4
	F.02.02.L60007_0	12			B.07.01.L60007_2	36	4		B.02.01.L60007_0	21	2
	F.02.02.L60007_1	12			B.07.01.L60007_3	36	4		B.04.01.L60007_0	21	4
	L.02.01.L60007_0	33	7	F0843561000	A.02.01.L60007_0	27	1		B.04.02.L60007_0	16	4
	L.02.02.L60007_0	30	12		A.02.01.L60008_1	27	1		B.08.01.L60007_0	5	3
	L.02.03.L60007_0	28	11		B.01.02.L60002_2	19	2		B.08.02.L60007_0	5	3
	L.02.07.L60007_0	17	13		B.02.01.L60008_2	27	4		D.03.01.L60007_0	2	2
	L.02.08.L60007_0	7	6		E.05.01.L60008_0	8	2		D.03.01.L60008_2	2	2
	L.02.09.L60007_0	16	15		E.05.01.L60008_1	8	2		D.12.02.L60007_0	8	1
	L.02.10.L60007_0	25	9		E.05.01.L60008_2	8	2		D.15.01.L60007_0	32	1
	L.02.11.L60007_0	7	6		L.03.01.L60007_0	31	6		D.15.01.L60007_1	32	1
F0843110010	F.03.01.L60007_0	25	1		L.03.02.L60007_0	29	4		D.15.02.L60007_0	32	1
	G.01.02.L60008_1	11	1		L.03.03.L60007_0	29	4		D.15.02.L60007_1	32	1
	G.01.02.L60008_2	11	1		L.03.04.L60007_0	30	6		F.02.01.L60007_0	8	
	L.02.01.L60007_0	36	2		L.03.05.L60007_0	31	8		F.02.01.L60008_1	8	
	L.02.02.L60007_0	33	2	F0843570000	A.01.02.L60008_0	24	2		L.02.08.L60007_0	54	2
	L.02.03.L60007_0	31	2		A.01.02.L60008_1	24	2		M.01.01.L60007_0	57	2
	L.02.08.L60007_0	29	1		A.01.02.L60008_2	23	4		M.02.01.L60007_0	23	2
	L.02.11.L60007_0	29	1		A.01.02.L60008_3	23	4	F0843581010	D.03.02.L60007_0	30	2
F0843116000	L.02.08.L60007_0	35	2		A.01.05.L60008_0	24	2		D.03.02.L60007_1	30	2
	L.02.10.L60007_0	13	1		A.01.05.L60008_1	18	1	F0843641000	D.03.02.L60007_0	49	1
	L.02.11.L60007_0	35	2		A.03.03.L60008_0	3	6		D.03.02.L60007_1	49	1
	M.02.01.L60007_0	15	3		A.03.03.L60008_1	3	6		D.12.01.L60007_0	62	1
	M.02.03.L60007_0	13	3		A.03.03.L60008_2	3	6		D.12.01.L60007_1	62	1
	M.02.04.L60007_0	13	3		A.03.03.L60008_3	3	8		D.15.01.L60007_0	8	1
F0843122000	L.02.10.L60007_0	11	1		A.03.03.L60008_4	3	8		D.15.01.L60007_1	8	1
	M.02.01.L60007_0	3	1		A.03.05.L60008_0	3	6		D.15.02.L60007_0	8	1
F0843522010	J.01.01.L60007_0	14	3		A.03.05.L60008_1	3	6		D.15.02.L60007_1	8	1
	J.01.01.L60007_1	14	3		A.03.05.L60008_2	3	6	F0843643060	A.01.02.L60008_0	4	7
	J.01.01.L60007_2	12	3		A.03.05.L60008_3	3	8		A.01.02.L60008_1	4	7
	J.01.01.L60007_3	12	3		A.03.05.L60008_4	3	8		A.01.02.L60008_2	4	6
	J.01.02.L60007_0	14	3		A.05.01.L60007_0	28	2		A.01.02.L60008_3	4	6

## SPARE PARTS INSTANCE INDEX

Code	Parts Table	Pos.	Q.ty
F0843643060	A.01.05.L60008_0	4	5
	A.01.05.L60008_1	4	10
	A.02.01.L60007_0	16	4
	A.02.01.L60008_1	16	4
	A.03.03.L60008_0	17	3
	A.03.03.L60008_1	17	3
	A.03.03.L60008_2	17	3
	A.03.03.L60008_3	41	2
	A.03.03.L60008_4	41	2
	A.03.05.L60008_0	17	3
	A.03.05.L60008_1	17	3
	A.03.05.L60008_2	17	3
	A.03.05.L60008_3	41	2
	A.03.05.L60008_4	41	2
	A.05.01.L60007_0	30	1
	B.01.01.L60007_0	18	1
	B.01.01.L60007_1	24	2
	B.01.02.L60002_2	25	1
	B.02.01.L60007_0	15	6
	B.02.01.L60008_1	9	6
	B.02.01.L60008_2	8	6
	B.04.01.L60007_0	8	8
	B.04.01.L60007_0	15	6
	B.04.02.L60007_0	8	8
	C.01.01.L60007_0	36	2
	D.03.01.L60007_0	37	2
	D.03.01.L60008_2	37	2
	D.03.02.L60007_0	5	4
	D.03.02.L60007_1	5	4
	D.12.02.L60007_0	16	1
	D.14.01.L60007_0	6	6
	D.14.01.L60007_1	6	6
	D.14.01.L60007_2	6	6
	D.15.01.L60007_0	20	1

Code	Parts Table	Pos.	Q.ty
F0843643060	D.15.01.L60007_1	20	1
	D.15.02.L60007_0	20	1
	D.15.02.L60007_1	20	1
	F.01.01.L60007_0	13	9
	F.03.01.L60007_0	17	2
	G.02.01.L60007_0	6	18
	L.01.01.L60002_0	10	4
	L.01.01.L60007_0	10	4
	L.01.03.L60007_0	10	2
	L.02.01.L60007_0	29	9
	L.02.02.L60007_0	27	4
	L.02.03.L60007_0	25	4
	L.02.07.L60007_0	45	10
	L.02.09.L60007_0	46	4
	L.02.10.L60007_0	37	4
	L.03.01.L60007_0	20	6
	L.03.02.L60007_0	14	6
	L.03.03.L60007_0	14	6
	L.03.04.L60007_0	13	6
	L.03.05.L60007_0	16	6
	M.01.01.L60007_0	11	2
	M.02.03.L60007_0	32	6
	M.02.04.L60007_0	32	2
	S.01.01.L60007_0	45	2
F0843711000	D.15.01.L60007_0	23	1
	D.15.01.L60007_1	23	1
	D.15.02.L60007_0	23	1
	D.15.02.L60007_1	23	1
F0843755000	A.01.02.L60008_0	11	6
	A.01.02.L60008_1	11	6
	A.01.02.L60008_2	10	2
	A.01.02.L60008_3	10	2
	A.01.05.L60008_0	11	6
	A.01.05.L60008_1	7	6

Code	Parts Table	Pos.	Q.ty
F0843755000	A.03.03.L60008_0	9	5
	A.03.03.L60008_1	9	5
	A.03.03.L60008_2	9	5
	A.03.03.L60008_3	9	4
	A.03.03.L60008_4	9	4
	A.03.05.L60008_0	9	5
	A.03.05.L60008_1	9	5
	A.03.05.L60008_2	9	5
	A.03.05.L60008_3	9	4
	A.03.05.L60008_4	9	4
	A.05.01.L60007_0	15	2
	B.07.01.L60007_0	47	3
	B.07.01.L60007_1	47	3
	B.07.01.L60007_2	47	3
	B.07.01.L60007_3	47	3
	C.01.01.L60007_0	11	12
	D.03.01.L60007_0	3	3
	D.03.01.L60008_2	3	3
	D.14.01.L60007_0	37	2
	D.14.01.L60007_1	37	2
	D.14.01.L60007_2	37	2
	D.15.01.L60007_0	9	6
	D.15.01.L60007_1	9	6
	D.15.02.L60007_0	9	6
	D.15.02.L60007_1	9	6
	E.01.01.L60007_0	6	1
	E.01.01.L60008_1	6	1
	E.01.01.L60008_2	6	1
	F.01.01.L60007_0	15	4
	F.02.01.L60007_0	11	
	F.02.01.L60008_1	11	
	F.02.02.L60007_0	11	
	F.02.02.L60007_1	11	
	L.02.01.L60007_0	30	1



## SPARE PARTS INSTANCE INDEX

Code	Parts Table	Pos.	Q.ty	Code	Parts Table	Pos.	Q.ty	Code	Parts Table	Pos.	Q.ty
F0843755000	L.02.02.L60007_0	28	1	F0843771000	D.15.01.L60007_1	46	2	F0843921030	T.04.01.L60007_0	10	4
	L.02.03.L60007_0	26	1		D.15.02.L60007_0	46	2		U.01.02.L60008_0	17	2
	L.02.08.L60007_0	4	4		D.15.02.L60007_1	46	2	F0843948000	F.03.01.L60007_0	21	10
	L.02.11.L60007_0	4	4	F0843815000	D.15.01.L60007_0	24	2	F0843993060	W.01.05.L60007_0	4	4
	L.03.01.L60007_0	30	2		D.15.01.L60007_1	24	2	F0844030070	A.01.02.L60008_0	22	1
	L.03.02.L60007_0	9	2		D.15.02.L60007_0	24	2		A.01.02.L60008_1	22	1
	L.03.03.L60007_0	9	2		D.15.02.L60007_1	24	2		A.01.02.L60008_2	21	1
	L.03.04.L60007_0	9	2		F.02.01.L60007_0	12			A.01.02.L60008_3	21	1
	L.03.05.L60007_0	11	2		F.02.01.L60008_1	12			A.01.05.L60008_0	22	1
	M.01.01.L60007_0	48	2	F0843841000	D.02.01.L60008_0	4	1		A.01.05.L60008_1	24	1
	S.01.01.L60007_0	20	6		D.03.01.L60007_0	27	2		E.01.01.L60007_0	13	1
	T.01.01.L60007_0	8	8		D.03.01.L60008_2	27	2		E.01.01.L60008_1	13	1
	T.01.01.L60007_0	14	2		D.03.02.L60007_0	20	3		E.01.01.L60008_2	13	1
	T.01.02.L60007_0	11	8		D.03.02.L60007_1	20	3		G.01.02.L60008_0	12	2
	T.01.02.L60007_0	17	2		D.14.01.L60007_0	44	8	F0844150000	W.01.01.L60007_0	3	4
	T.01.05.L60007_0	16	8		D.14.01.L60007_1	44	8		W.01.02.L60007_0	3	16
	T.01.05.L60007_0	18	2		D.14.01.L60007_2	44	8		W.01.05.L60007_0	3	4
	T.01.05.L60007_0	21	2		D.15.01.L60007_0	62	1	F0844273090	C.01.01.L60007_0	5	2
	T.01.06.L60007_0	8	8		D.15.01.L60007_1	62	1		C.03.01.L60007_0	5	1
	T.01.06.L60007_0	14	2		D.15.02.L60007_0	62	1		D.10.01.L60007_0	16	2
	T.01.08.L60007_0	11	8		D.15.02.L60007_1	62	1		L.02.03.L60007_0	47	1
	T.01.08.L60007_0	17	2	F0843907000	D.03.02.L60007_0	46	2		L.02.10.L60007_0	12	2
	T.01.09.L60007_0	16	8		D.03.02.L60007_1	46	2		M.02.01.L60007_0	4	2
	T.01.09.L60007_0	18	2		D.15.01.L60007_0	56	7	F0844283000	D.15.01.L60007_0	27	1
	T.01.09.L60007_0	21	2		D.15.01.L60007_1	56	7		D.15.01.L60007_1	27	1
	T.04.01.L60007_0	16	8		D.15.02.L60007_0	56	7		D.15.02.L60007_0	27	1
	U.01.02.L60008_0	11	22		D.15.02.L60007_1	56	7		D.15.02.L60007_1	27	1
F0843771000	D.03.02.L60007_0	39	1		F.01.01.L60007_0	26	1	F0844539000	D.06.01.L60007_0	28	1
	D.03.02.L60007_0	43	1		F.03.01.L60007_0	10	4		D.06.01.L60007_1	28	1
	D.03.02.L60007_1	39	1	F0843921030	B.01.01.L60007_0	25	2		D.16.01.L60002_0	28	1
	D.03.02.L60007_1	43	1		B.01.01.L60007_1	27	2		D.16.01.L60007_0	28	1
	D.07.01.L60007_0	15	5		B.01.02.L60002_2	28	2		D.16.01.L60007_1	28	1
	D.07.01.L60007_1	15	5		L.01.03.L60007_0	41	4		D.16.01.L60007_2	28	1
	D.15.01.L60007_0	46	2		S.01.01.L60007_0	23	2		D.16.01.L60007_3	28	1

## SPARE PARTS INSTANCE INDEX

Code	Parts Table	Pos.	Q.ty
F0847434000	D.07.01.L60007_0	37	5
	D.07.01.L60007_1	37	5
	D.12.02.L60007_0	23	2
F0847462000	D.12.02.L60007_0	9	1
F0848655100	W.01.01.L60007_0	17	1
F0848664000	W.01.01.L60007_0	5	1
F0848679600	W.01.01.L60007_0	18	1
F0848679700	W.01.01.L60007_0	12	1
	W.01.02.L60007_0	7	4
F0848680000	W.01.01.L60007_0	7	1
F0848681600	W.01.01.L60007_0	21	1
	W.01.02.L60007_0	4	4
F0848681605	W.01.01.L60007_0	22	1
	W.01.02.L60007_0	12	4
F0848682050	W.01.02.L60007_0	10	4
F0848682070	W.01.02.L60007_0	13	4
F0848682080	W.01.02.L60007_0	11	4
F0848683000	W.01.01.L60007_0	14	1
F0848683500	W.01.01.L60007_0	13	1
	W.01.02.L60007_0	8	4
F0848920000	W.01.01.L60007_0	4	1
F0848940000	W.01.01.L60007_0	8	1
F0849206005	A.03.03.L60008_0	19	1
	A.03.03.L60008_1	19	1
	A.03.03.L60008_2	19	1
	A.03.03.L60008_3	17	1
	A.03.03.L60008_4	17	1
	A.03.05.L60008_0	19	1
	A.03.05.L60008_1	19	1
	A.03.05.L60008_2	19	1
	A.03.05.L60008_3	17	1
	A.03.05.L60008_4	17	1
F0849500001	A.05.01.L60007_0	1.1	1
F0849500002	A.05.01.L60007_0	1.2	1

Code	Parts Table	Pos.	Q.ty
F0850100000	D.05.01.L60007_0	1	
	D.05.01.L60007_1	1	
F0850100010	D.05.01.L60007_0	1	
	D.05.01.L60007_1	1	
F0850100020	D.05.01.L60007_0	1	
	D.05.01.L60007_1	1	
F0851032000	D.03.01.L60007_0	18	1
	D.03.01.L60008_2	18	1
F0851043050	D.14.01.L60007_0	12	2
	D.14.01.L60007_1	12	2
	D.14.01.L60007_2	12	2
F0851156000	D.07.01.L60007_0	33	4
	D.07.01.L60007_1	33	4
F0851180000	D.12.02.L60007_0	27	2
F0851226000	D.12.01.L60007_0	57	1
	D.12.01.L60007_1	57	1
F0851262000	D.07.01.L60007_0	34	4
	D.07.01.L60007_1	34	4
F0851267050	D.07.01.L60007_0	35	3
	D.07.01.L60007_1	35	3
	D.11.01.L60007_0	9	1
	D.11.01.L60007_1	9	1
F0851486000	L.01.01.L60002_0	31	1
	L.01.01.L60007_0	31	1
	L.01.03.L60007_0	31	1
	M.01.01.L60007_0	54	1
	S.01.01.L60007_0	4	2
	T.01.01.L60007_0	10.2	3
	T.01.02.L60007_0	4.4	1
	T.01.02.L60007_0	5.4	1
	T.01.02.L60007_0	13.2	2
	T.01.05.L60007_0	7	4
	T.01.05.L60007_0	19.2	4
	T.01.06.L60007_0	10.2	3

Code	Parts Table	Pos.	Q.ty
F0851486000	T.01.08.L60007_0	4.4	1
	T.01.08.L60007_0	5.4	1
	T.01.08.L60007_0	13.2	4
	T.01.08.L60007_0	25.2	3
	T.01.09.L60007_0	7	4
	T.01.09.L60007_0	19.2	4
	T.02.01.L60007_0	5	4
	T.02.02.L60007_0	3	4
	T.04.01.L60007_0	7	2
F0851497000	B.01.01.L60007_0	28	1
	B.01.01.L60007_1	30	1
	B.01.02.L60002_2	34	1
	T.02.01.L60007_0	3	1
F0852106000	S.01.01.L60007_0	41	1
F0852107050	T.01.01.L60007_0	4.1	1
	T.01.06.L60007_0	4.1	1
F0852538010	D.03.02.L60007_0	42	1
	D.03.02.L60007_1	42	1
F0852538050	F.01.01.L60007_0	25	1
F0852550100	L.02.01.L60007_0	22	5
	L.02.02.L60007_0	20	8
	L.02.03.L60007_0	18	6
	L.02.07.L60007_0	20	6
	L.02.09.L60007_0	19	8
F0852550200	L.02.02.L60007_0	45	1
	L.02.03.L60007_0	42	2
	L.02.07.L60007_0	21	1
	L.02.09.L60007_0	20	1
	L.02.10.L60007_0	38	2
	M.02.01.L60007_0	10	2
	M.02.03.L60007_0	8	2
	M.02.04.L60007_0	8	2
F0852550210	L.02.02.L60007_0	46	2
	L.02.03.L60007_0	43	2

## SPARE PARTS INSTANCE INDEX

Code	Parts Table	Pos.	Q.ty	Code	Parts Table	Pos.	Q.ty	Code	Parts Table	Pos.	Q.ty
F0852550210	L.02.07.L60007_0	22	2	F0860090010	D.15.02.L60007_1	7	1	F0862448100	D.15.01.L60007_1	57	1
	L.02.09.L60007_0	21	2	F0860090110	D.15.01.L60007_0	3	1		D.15.02.L60007_0	57	1
	L.02.10.L60007_0	39	2		D.15.01.L60007_1	3	1		D.15.02.L60007_1	57	1
	M.02.01.L60007_0	11	2		D.15.02.L60007_0	3	1	F0862464050	A.05.01.L60007_0	24	2
	M.02.03.L60007_0	9	2		D.15.02.L60007_1	3	1	F0862478070	D.10.01.L60007_0	8	6
	M.02.04.L60007_0	9	2	F0861830100	E.03.01.L60007_0	9	4	F0862479020	B.02.01.L60008_1	23	1
F0852550220	L.02.01.L60007_0	42	2	F0861831000	B.07.01.L60007_3	55	2		B.04.01.L60007_0	3	10
	L.02.02.L60007_0	39	2	F0861867050	A.05.01.L60007_0	4	6		B.04.01.L60007_0	13	6
	L.02.03.L60007_0	37	2	F0861928050	B.08.01.L60007_0	44	4		B.04.02.L60007_0	3	10
	L.02.07.L60007_0	23	2		B.08.02.L60007_0	46	4	F0862479032	Y.01.04.L60007_0	46	2
	L.02.09.L60007_0	22	2	F0861929060	B.02.01.L60008_2	26	4	F0862479034	B.04.01.L60007_0	10	8
	M.02.03.L60007_0	33	2		L.03.01.L60007_0	26	6		B.04.02.L60007_0	10	8
	M.02.04.L60007_0	34	2		L.03.02.L60007_0	28	4	F0862479035	A.01.02.L60008_0	5	1
F0852550230	L.02.01.L60007_0	41	2		L.03.03.L60007_0	30	4		A.01.02.L60008_1	5	1
	L.02.02.L60007_0	38	2		L.03.04.L60007_0	29	6		A.01.05.L60008_0	5	1
	L.02.03.L60007_0	36	2		L.03.05.L60007_0	30	8		B.04.01.L60007_0	19	4
	L.02.09.L60007_0	42	2	F0861934060	B.01.02.L60002_2	18	2		B.04.02.L60007_0	14	4
	M.02.03.L60007_0	34	2		B.02.01.L60008_2	17	8	F0862479040	D.14.01.L60007_2	4	1
	M.02.04.L60007_0	35	2		B.02.01.L60007_0	7	3	F0862481000	A.02.01.L60007_0	7	4
F0852550240	L.02.01.L60007_0	43	1		E.02.01.L60007_1	7	3		A.02.01.L60008_1	7	4
	L.02.02.L60007_0	40	1	F0861941000	E.02.01.L60007_0	7	3		A.05.01.L60007_0	18	2
	L.02.07.L60007_0	24	1		B.02.01.L60008_2	34	3	F0862495010	A.01.05.L60008_0	3	3
	L.02.09.L60007_0	23	1	F0862129000	B.01.01.L60007_1	36	1		A.01.05.L60008_1	37	3
F0858520000	A.02.01.L60007_0	3	1	F0862131000	C.01.01.L60007_0	17	8	F0862593050	M.01.01.L60007_0	52.1	1
	A.02.01.L60008_1	3	1	F0862261010	Y.01.03.L60007_0	19	1	F0862655000	D.10.01.L60007_0	14	8
F0860058010	D.03.02.L60007_0	13	1	F0862345000	D.03.02.L60007_0	29	2	F0862657000	D.02.01.L60008_0	10	1
	D.03.02.L60007_1	13	1		D.03.02.L60007_1	29	2		D.16.01.L60007_0	3	1
F0860058020	D.03.02.L60007_0	12	1		L.02.01.L60007_0	4	2		D.16.01.L60007_1	3	1
	D.03.02.L60007_1	12	1		L.02.02.L60007_0	4	2		D.16.01.L60007_2	3	1
F0860060010	D.03.01.L60007_0	11	1		L.02.03.L60007_0	4	2	F0862694000	A.01.02.L60008_0	3	3
	D.03.01.L60008_2	11	1	F0862448100	D.03.02.L60007_0	50	1		A.01.02.L60008_1	3	3
F0860090010	D.15.01.L60007_0	7	1		D.03.02.L60007_1	50	1		A.01.02.L60008_2	3	3
	D.15.01.L60007_1	7	1		D.12.01.L60007_0	61	1		A.01.02.L60008_3	3	3
	D.15.02.L60007_0	7	1		D.12.01.L60007_1	61	1		G.01.02.L60008_0	10	1
					D.15.01.L60007_0	57	1				

## SPARE PARTS INSTANCE INDEX

Code	Parts Table	Pos.	Q.ty	Code	Parts Table	Pos.	Q.ty	Code	Parts Table	Pos.	Q.ty
F0862694000	G.01.02.L60008_2	10	1	F0863951000	C.02.01.L60008_0	6	1	F0907170135	B.06.02.L60007_0	36	1
	G.02.01.L60007_0	12	2	F0864180000	T.02.01.L60007_0	8	8		B.06.51.L60007_0	34	1
	Y.01.04.L60007_0	48	4		T.02.02.L60007_0	6	8	F0907170136	B.06.01.L60007_0	36	1
F0862785000	D.16.01.L60007_0	43	1	F0864222010	T.02.03.L60007_0	3	8		B.06.02.L60007_0	36	1
	D.16.01.L60007_1	43	1	F0864245000	T.04.01.L60007_0	9	4		B.06.51.L60007_0	34	1
	D.16.01.L60007_2	43	1	F0864290010	B.01.01.L60007_0	30	2	F0907170137	B.06.01.L60007_0	36	1
F0862796000	F.01.01.L60007_0	21	4		B.01.01.L60007_1	31	2		B.06.02.L60007_0	36	1
F0862847000	L.02.07.L60007_0	7	2		B.01.02.L60002_2	32	2		B.06.51.L60007_0	34	1
	L.02.09.L60007_0	7	2	F0864314000	W.01.05.L60007_0	5	4	F0907170138	B.06.01.L60007_0	36	1
	L.02.10.L60007_0	18	2	F0864335020	A.01.02.L60008_0	19	1		B.06.02.L60007_0	36	1
F0862944000	L.02.01.L60007_0	32	2		A.01.02.L60008_1	19	1		B.06.51.L60007_0	34	1
F0863183000	D.07.01.L60007_0	39	2		A.01.02.L60008_2	18	1	P00000005113	L.03.01.L60007_0	27	6
	D.07.01.L60007_1	39	2		A.01.02.L60008_3	18	1		L.03.02.L60007_0	17	4
F0863208050	M.01.01.L60007_0	46	1		A.01.05.L60008_0	19	1		L.03.03.L60007_0	17	4
F0863267050	C.01.01.L60007_0	25	6		A.01.05.L60008_1	13	1		L.03.04.L60007_0	16	6
F0863302000	T.01.05.L60007_0	9	2		B.01.01.L60007_0	32	1		L.03.05.L60007_0	19	4
	T.01.09.L60007_0	9	2		B.01.01.L60007_1	34	1	P00000005671	M.01.01.L60007_0	52.2	1
F0863311250	D.01.01.L60007_0	13	8		B.01.02.L60002_2	30	1	P00000005774	S.01.01.L60007_0	11	2
	D.09.01.L60007_0	2	8	F0864377000	B.03.01.L60007_0	20	2	P00000009122	W.01.01.L60007_0	19	1
	S.01.01.L60007_0	34	4		B.03.01.L60008_0	20	2	P000000260007	B.08.01.L60007_0	17/3	1
F0863359000	L.01.01.L60002_0	26	3	F0864410500	W.01.01.L60007_0	2	4		B.08.02.L60007_0	43	0.78
	L.01.01.L60007_0	26	3		W.01.02.L60007_0	2	16		J.01.01.L60007_0	10	1
	L.01.03.L60007_0	26	3	F0865040000	B.07.01.L60007_0	19	1		J.01.01.L60007_1	10	1
F0863429000	L.01.01.L60002_0	4	4		B.07.01.L60007_1	19	1		J.01.01.L60007_2	8	1
	L.01.01.L60007_0	4	4		B.07.01.L60007_2	19	1		J.01.01.L60007_3	8	1
	L.01.03.L60007_0	4	4		B.07.01.L60007_3	19	1		J.01.02.L60007_0	10	1
	M.01.01.L60007_0	4	4	F0865040020	B.07.01.L60007_0	34	1		J.01.02.L60007_1	8	1
F0863464010	B.08.01.L60007_0	43	4		B.07.01.L60007_1	34	1	P000000309111	L.03.01.L60007_0	14	3
	B.08.02.L60007_0	45	4		B.07.01.L60007_2	34	1		L.03.02.L60007_0	20	2
F0863566000	B.08.01.L60007_0	54	1		B.07.01.L60007_3	34	1		L.03.03.L60007_0	20	2
	B.08.02.L60007_0	56	1	F0907170132	B.06.01.L60007_0	36	1		L.03.04.L60007_0	19	3
F0863672010	T.02.03.L60007_0	13	1		B.06.02.L60007_0	36	1		L.03.05.L60007_0	22	2
F0863890010	C.03.01.L60007_0	14	16		B.06.51.L60007_0	34	1	P123298000000	A.01.02.L60008_2	27	3
F0863925000	C.02.01.L60008_0	2	5	F0907170135	B.06.01.L60007_0	36	1		A.01.02.L60008_3	27	3

## SPARE PARTS INSTANCE INDEX

Code	Parts Table	Pos.	Q.ty	Code	Parts Table	Pos.	Q.ty	Code	Parts Table	Pos.	Q.ty
P123298000000	A.01.05.L60008_1	21	3	P238176000000	D.14.01.L60007_0	31	1	P405391000001	A.03.03.L60008_4	22	3
	A.03.03.L60008_3	34	1		D.14.01.L60007_1	31	1		A.03.05.L60008_3	22	3
	A.03.03.L60008_4	34	1		D.14.01.L60007_2	31	1		A.03.05.L60008_4	22	3
	A.03.05.L60008_3	34	1		E.02.01.L60007_0	6	1	P439140000001	D.03.02.L60007_0	14	1
	A.03.05.L60008_4	34	1		E.02.01.L60007_1	6	1		D.03.02.L60007_1	14	1
P227332000000	F.03.01.L60007_0	11	1	P241171000000	L.02.01.L60007_0	24	1	P439149000000	B.03.01.L60007_0	19	2
P236220000000	A.03.03.L60008_0	28	1		L.02.02.L60007_0	22	1		B.03.01.L60008_0	19	2
	A.03.03.L60008_1	28	1		L.02.03.L60007_0	20	1		S.01.01.L60007_0	29	2
	A.03.03.L60008_2	28	1		L.02.10.L60007_0	32	1	P439243000000	D.03.02.L60007_0	17	1
	A.03.05.L60008_0	28	1	P254124000000	C.01.01.L60007_0	49	11		D.03.02.L60007_1	17	1
	A.03.05.L60008_1	28	1		C.03.01.L60007_0	23	8	P439294000001	L.02.08.L60007_0	36	2
	A.03.05.L60008_2	28	1		D.03.02.L60007_0	34	1		L.02.11.L60007_0	36	2
P236340000000	A.03.03.L60008_0	26	1		D.03.02.L60007_1	34	1	P453569000001	S.01.01.L60007_0	8	1
	A.03.03.L60008_1	26	1		D.11.01.L60007_0	15	4	P453727000000	A.04.02.L60008_1	9	1
	A.03.03.L60008_2	26	1		D.11.01.L60007_1	15	4		A.04.05.L60008_1	11	1
	A.03.05.L60008_0	26	1		D.13.01.L60007_0	17	11	P470330000000	D.12.01.L60007_0	14	1
	A.03.05.L60008_1	26	1		D.13.03.L60007_0	18	4		D.12.01.L60007_1	14	1
	A.03.05.L60008_2	26	1		D.15.01.L60007_0	40	8	P470433000000	D.12.01.L60007_0	13	1
P238105000000	B.07.01.L60007_0	33	1		D.15.01.L60007_1	40	8		D.12.01.L60007_1	13	1
	B.07.01.L60007_1	33	1		D.15.02.L60007_0	40	8	P493188000000	A.04.02.L60008_1	7	1
	B.07.01.L60007_2	33	1		D.15.02.L60007_1	40	8		A.04.05.L60008_1	10	1
	B.07.01.L60007_3	33	1	P295170000000	L.02.07.L60007_0	3	1	P827003000003	S.01.01.L60007_0	9	2
P238106000000	A.02.01.L60007_0	1	1		L.02.09.L60007_0	3	1	P917280000000	B.03.01.L60007_0	18	2
	A.02.01.L60008_1	1	1		L.02.10.L60007_0	4	1		B.03.01.L60008_0	18	2
	B.07.01.L60007_0	20	1	P296115000000	S.01.01.L60007_0	31	2	P985535000100	S.01.01.L60007_0	28	2
	B.07.01.L60007_1	20	1	P296116000001	S.01.01.L60007_0	7	1	P996510000001	L.02.08.L60007_0	8	12
	B.07.01.L60007_2	20	1	P296121000000	S.01.01.L60007_0	30	1		L.02.11.L60007_0	8	12
	B.07.01.L60007_3	20	1	P296122000000	S.01.01.L60007_0	10	1				
P238176000000	B.07.01.L60007_0	21	1	P296267000000	S.01.01.L60007_0	27	2				
	B.07.01.L60007_1	21	1	P405339000000	A.03.03.L60008_3	35	1				
	B.07.01.L60007_2	21	1		A.03.03.L60008_4	35	1				
	B.07.01.L60007_3	21	1		A.03.05.L60008_3	35	1				
	D.03.01.L60007_0	30	1		A.03.05.L60008_4	35	1				
	D.03.01.L60008_2	30	1	P405391000001	A.03.03.L60008_3	22	3				